



US00D710211S

(12) **United States Design Patent**
Behar et al.

(10) **Patent No.:** **US D710,211 S**
(45) **Date of Patent:** **** Aug. 5, 2014**

- (54) **CONTAINER WITH DISPENSER**
 - (75) Inventors: **Yves Behar**, San Francisco, CA (US);
Josh Morenstein, San Francisco, CA
(US); **Noah Murphy-Reinhertz**, San
Francisco, CA (US)
 - (73) Assignee: **Beiersdorf AG**, Hamburg (DE)
 - (**) Term: **14 Years**
 - (21) Appl. No.: **29/427,582**
 - (22) Filed: **Jul. 19, 2012**
 - (51) **LOC (10) Cl.** **09-01**
 - (52) **U.S. Cl.**
USPC **D9/688**
 - (58) **Field of Classification Search**
USPC D9/682-694, 500-505, 719, 516, 517,
D9/526, 529, 545, 549-558, 434-436, 445,
D9/447-450, 414, 424, 428; 222/153.01,
222/153.04, 153.09, 153.1, 153.11, 153.12,
222/153.13, 153.14, 631, 635, 321.1,
222/321.6-322, 325-327, 372, 378, 379,
222/382, 383.1, 398, 400.7, 401, 402,
222/402.1-402.25; 215/379, 382; 220/662,
220/665, 669-675, 915; D28/76, 77, 91,
D28/91.1
- See application file for complete search history.

D561,594	S	*	2/2008	Condon et al.	D9/529
D570,707	S	*	6/2008	Blasko et al.	D9/689
D606,417	S	*	12/2009	Castelnuovo-Tedesco	D9/600
D611,355	S	*	3/2010	Kim et al.	D9/540
D613,614	S	*	4/2010	Rodriguez et al.	D9/689
D623,949	S	*	9/2010	Thronsen	D9/504
7,874,461	B2	*	1/2011	Bae	222/153.13
D649,064	S	*	11/2011	Wang Treadway et al. ...	D9/687

FOREIGN PATENT DOCUMENTS

CN	300498096.0000	*	7/2008
KR	300387563.0000	*	7/2005
KR	300453767.0001	*	6/2006

* cited by examiner

Primary Examiner — Catherine Tuttle

(74) *Attorney, Agent, or Firm* — Dentons US LLP

(57) **CLAIM**

The ornamental design for a container with dispenser, as shown and described.

DESCRIPTION

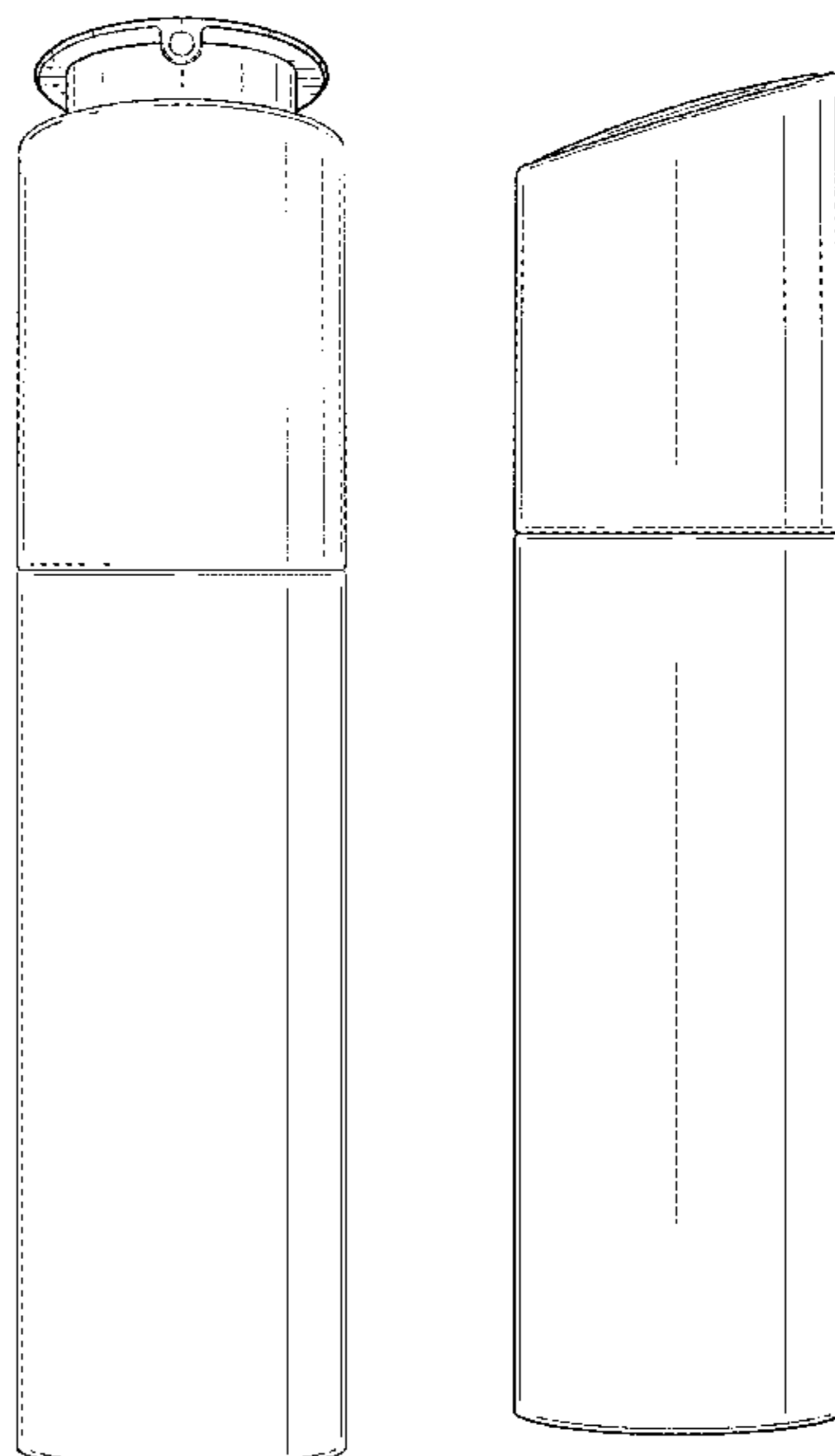
FIG. 1 is a top and back perspective view showing a new design for a container with the dispenser in an extended position;
 FIG. 2 is a back view thereof;
 FIG. 3 is a front view thereof;
 FIG. 4 is a left side view thereof;
 FIG. 5 is a right side view thereof;
 FIG. 6 is a back view showing the container with the dispenser in a non-extended state;
 FIG. 7 is a bottom view thereof;
 FIG. 8 is a front view thereof;
 FIG. 9 is a left side view thereof;
 FIG. 10 is a right side view thereof; and,
 FIG. 11 is a top view thereof.

1 Claim, 11 Drawing Sheets

(56) **References Cited**

U.S. PATENT DOCUMENTS

D315,292	S	*	3/1991	Seager	D9/688
D317,253	S	*	6/1991	Seager	D9/689
D344,231	S	*	2/1994	Gagnon	D9/686
D351,337	S	*	10/1994	Bonnema et al.	D9/690
D394,389	S	*	5/1998	Kudo	D9/545
D476,224	S	*	6/2003	de Baschmakoff et al. ...	D9/692



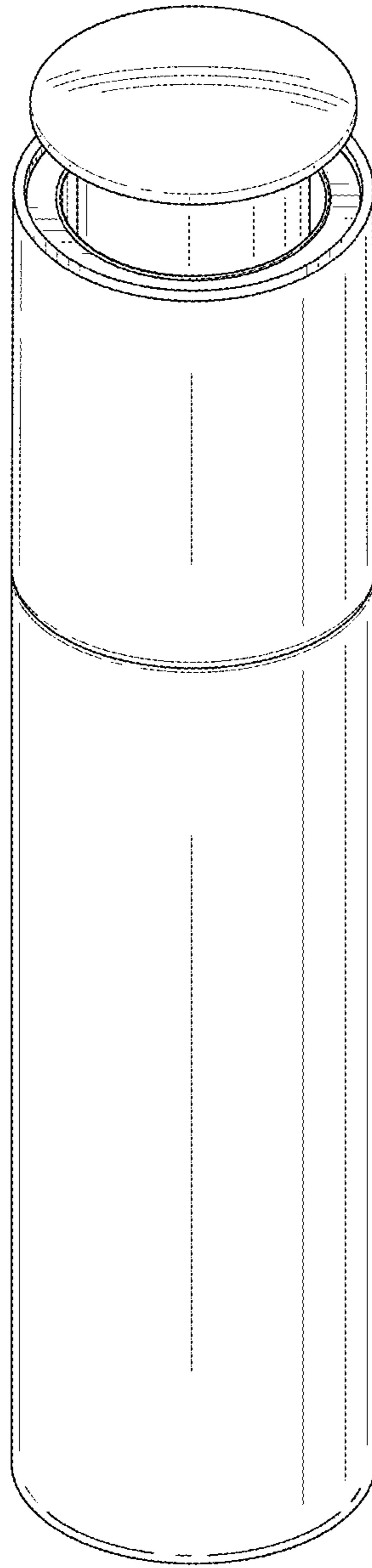


FIG. 1

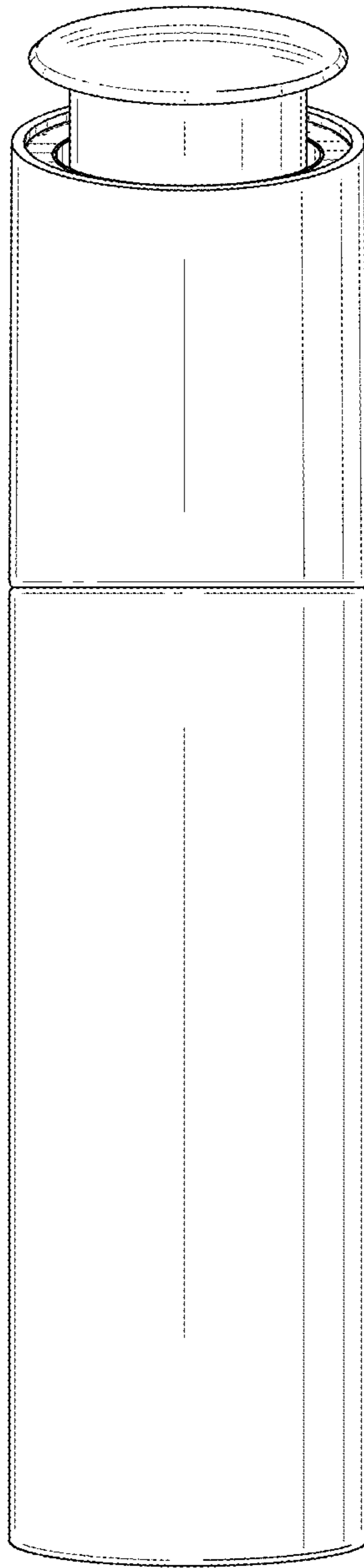


FIG. 2

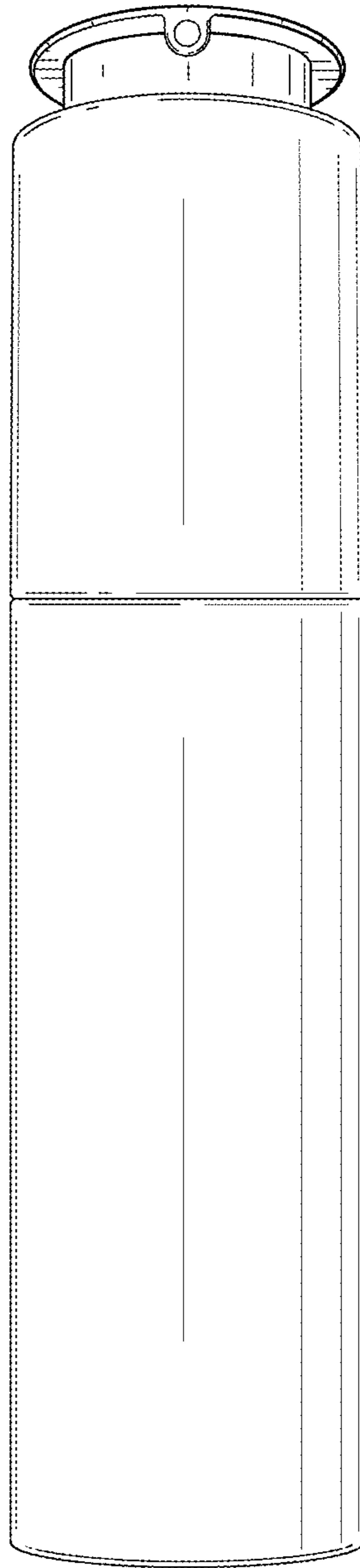


FIG. 3

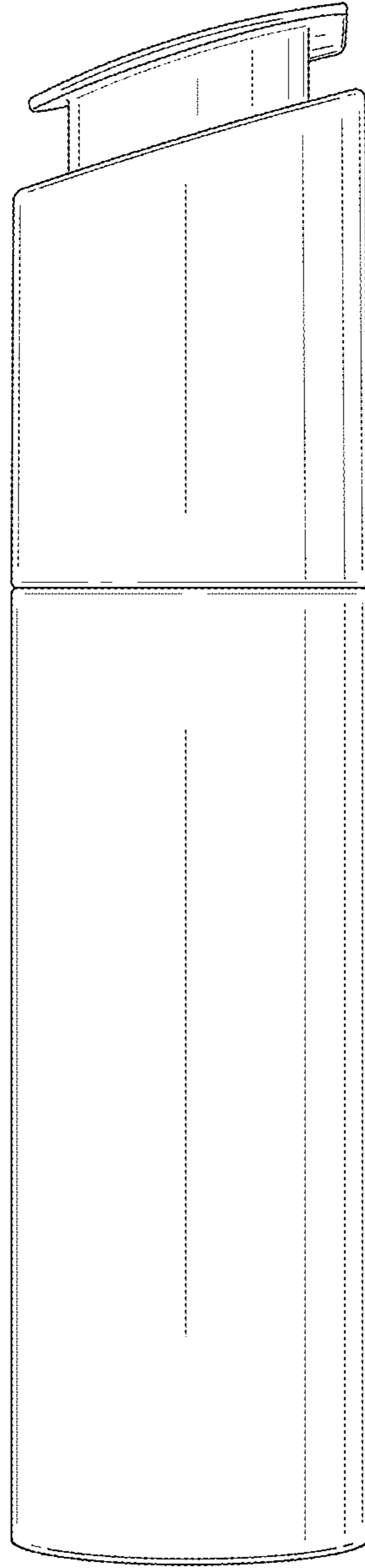


FIG. 4

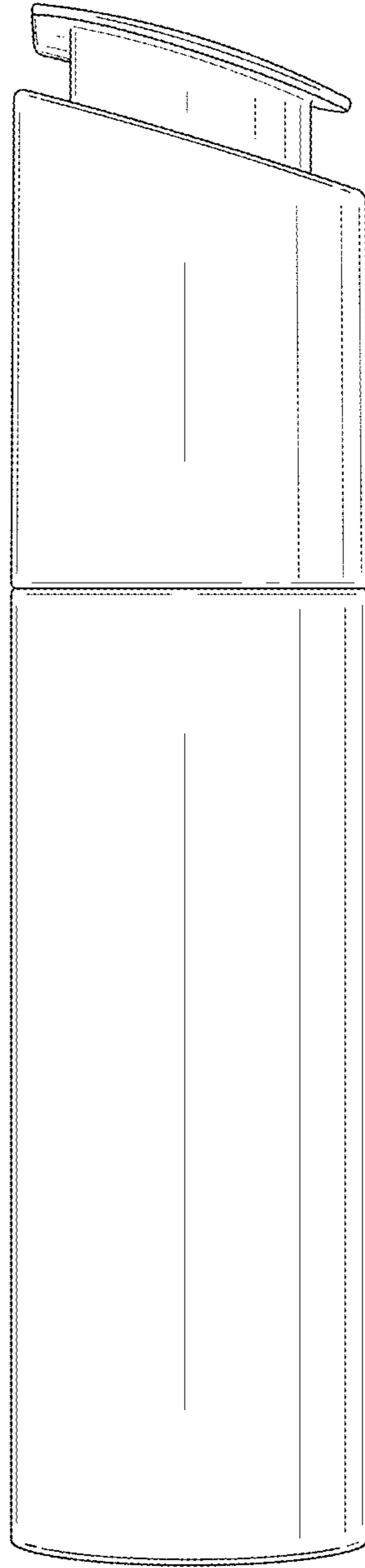


FIG. 5

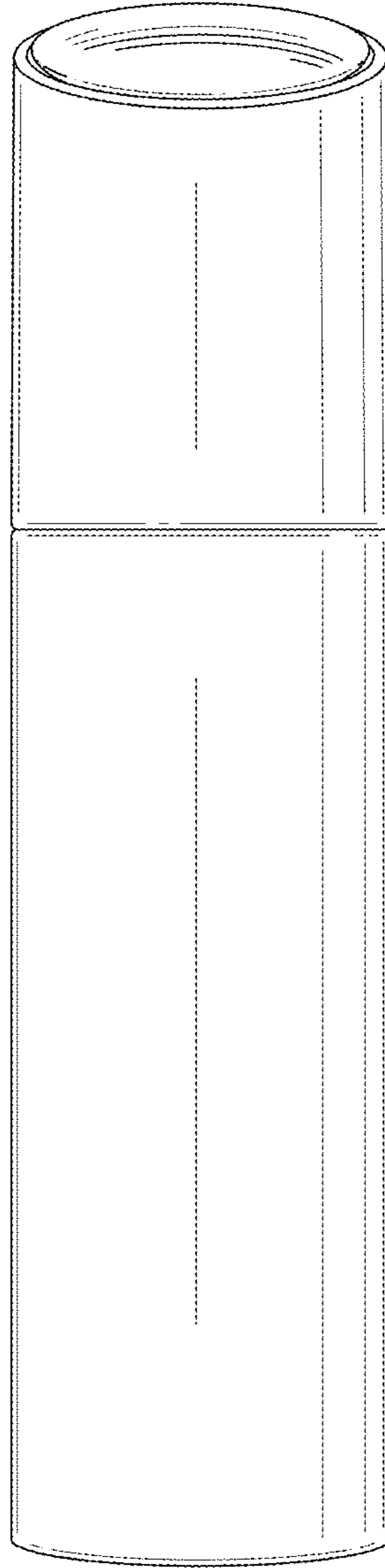


FIG. 6

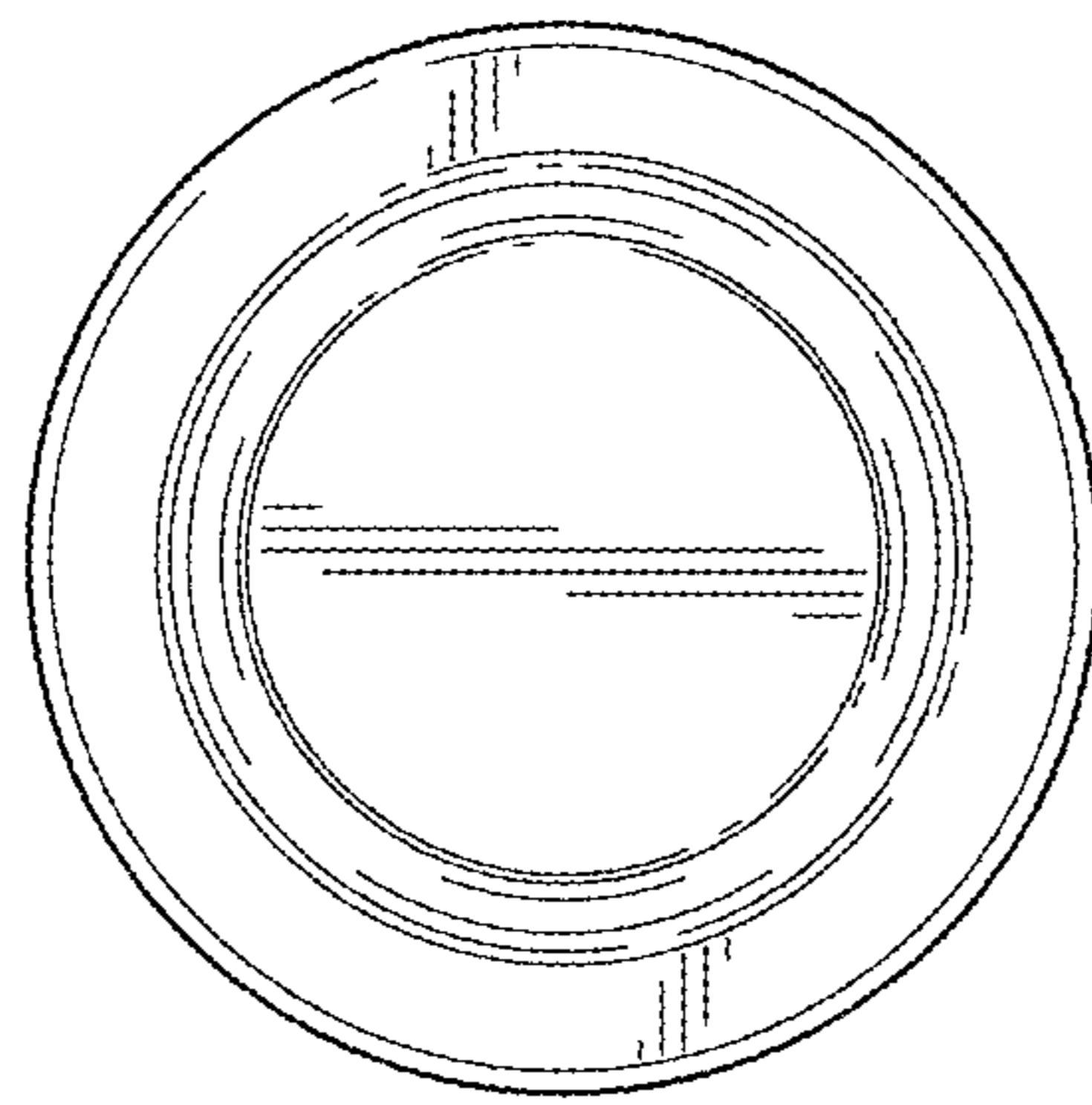


FIG. 7

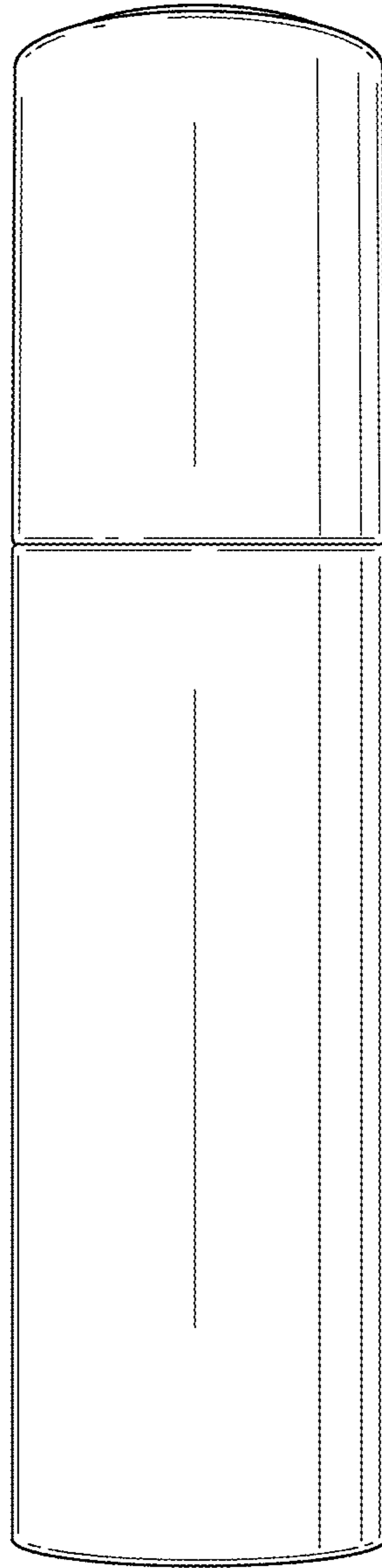


FIG. 8

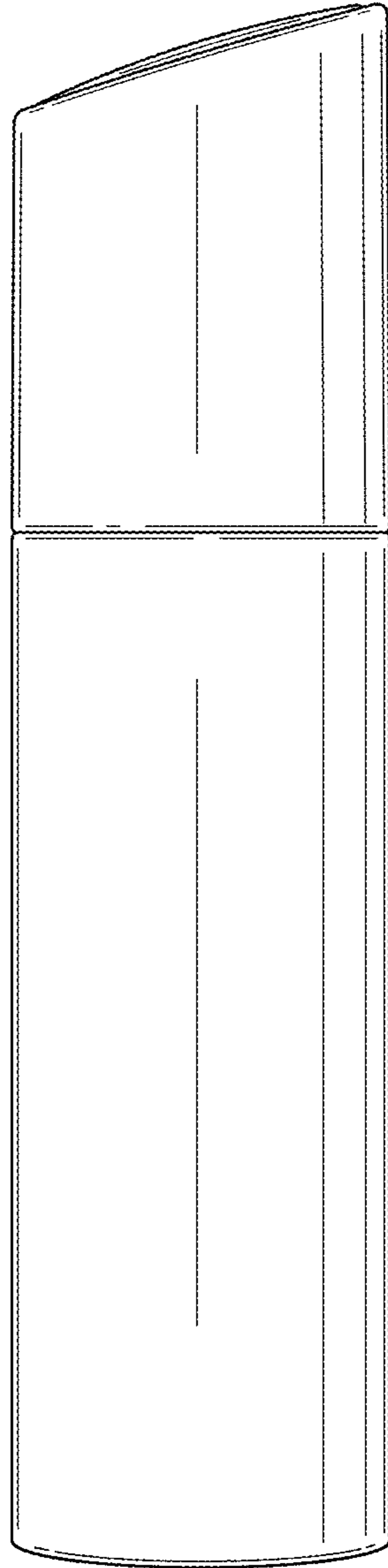


FIG. 9

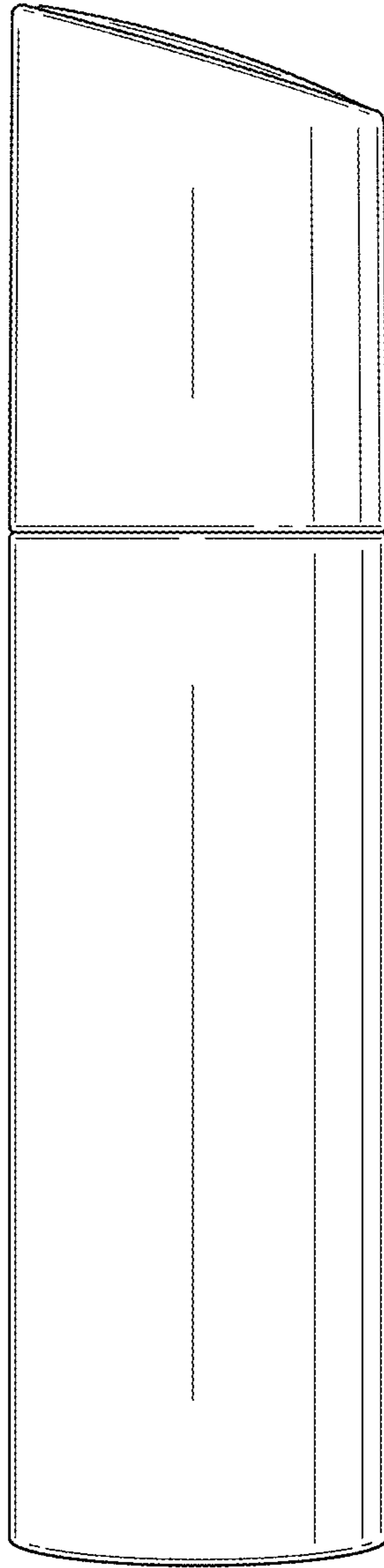


FIG. 10

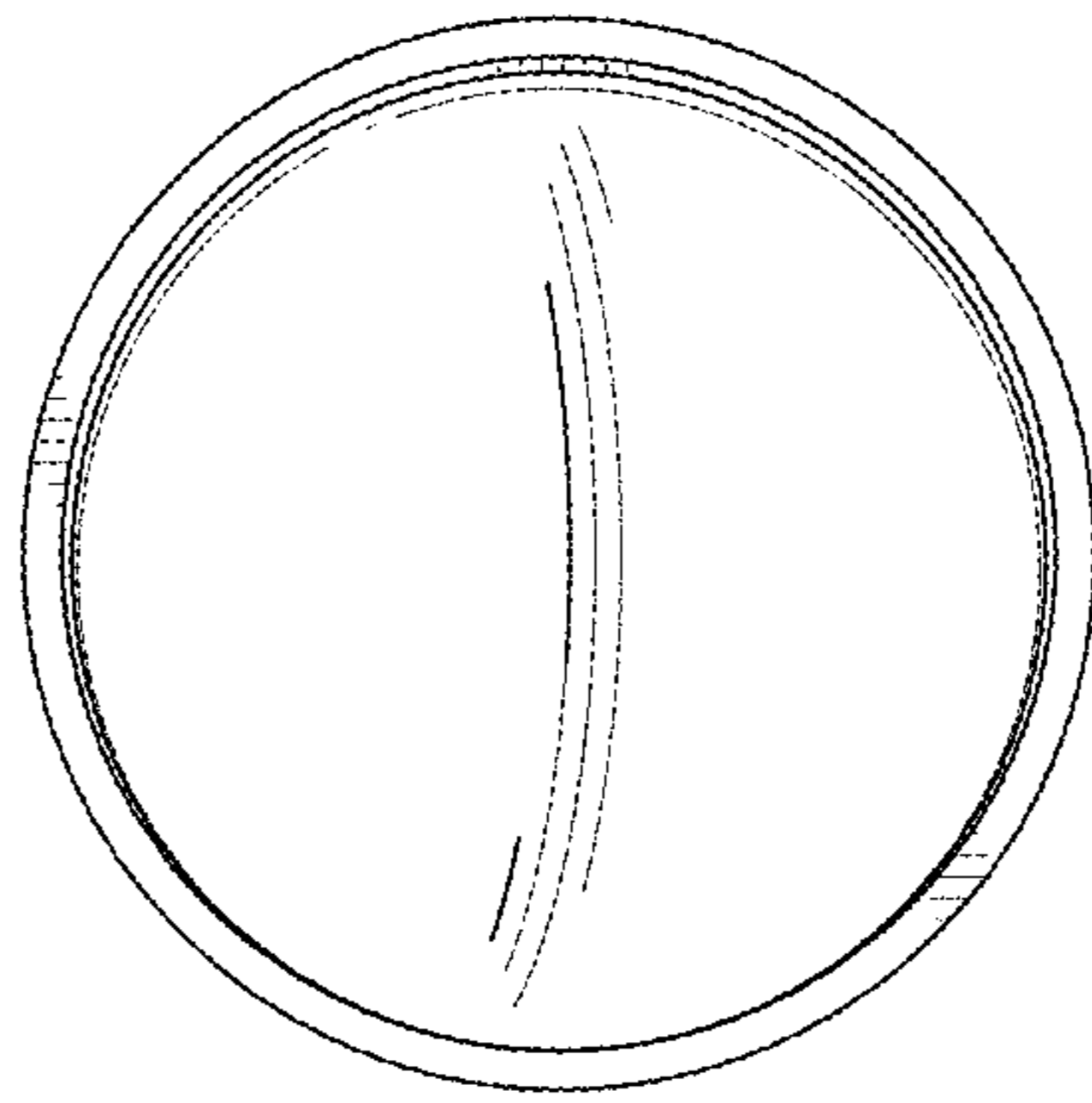


FIG. 11

UNITED STATES PATENT AND TRADEMARK OFFICE
CERTIFICATE OF CORRECTION

PATENT NO. : D710,211 S
APPLICATION NO. : 29/427582
DATED : August 5, 2014
INVENTOR(S) : Yves Behar et al.

Page 1 of 1

It is certified that error appears in the above-identified patent and that said Letters Patent is hereby corrected as shown below:


On The Title Page, insert

Item --(30)

Foreign Application Priority Data

Jan. 19, 2012 (EM) 1977836-0008--

Signed and Sealed this
Fifteenth Day of March, 2016



Michelle K. Lee
Director of the United States Patent and Trademark Office