



US00D710205S

(12) **United States Design Patent**
Moretti

(10) **Patent No.:** **US D710,205 S**

(45) **Date of Patent:** **** Aug. 5, 2014**

(54) **POT**

(75) Inventor: **Matteo Moretti**, Crema (IT)

(73) Assignee: **Lumson S.p.A.**, Capergnanica (CR) (IT)

(**) Term: **14 Years**

(21) Appl. No.: **29/431,376**

(22) Filed: **Sep. 6, 2012**

(30) **Foreign Application Priority Data**

Mar. 9, 2012 (EM) 001317499-0011

(51) **LOC (10) Cl.** **09-01**

(52) **U.S. Cl.**
USPC **D9/529; D9/558**

(58) **Field of Classification Search**
USPC D9/435, 454, 500, 502-505, 516, 529,
D9/549, 558, 571, 682, 686-692; D28/73,
D28/76-78, 82, 91; D3/203.2, 203.3, 205,
D3/302; 215/379, 381; 220/660, 675

See application file for complete search history.

(56) **References Cited**

U.S. PATENT DOCUMENTS

D179,837 S *	3/1957	Carabel et al.	D9/431
D223,691 S *	5/1972	Newman	D28/77
D371,970 S *	7/1996	Desgrippes	D9/573
D406,770 S *	3/1999	Rosen et al.	D9/558
D455,965 S *	4/2002	de Baschmakoff	D9/560
D577,290 S *	9/2008	Moretti	D9/504
D582,283 S *	12/2008	O'Donahue	D9/529
D641,257 S *	7/2011	Thiebaut et al.	D9/738

* cited by examiner

Primary Examiner — Ian Simmons

Assistant Examiner — Dana L Meyrow

(74) *Attorney, Agent, or Firm* — Novak Druce Connolly
Bove + Quigg LLP

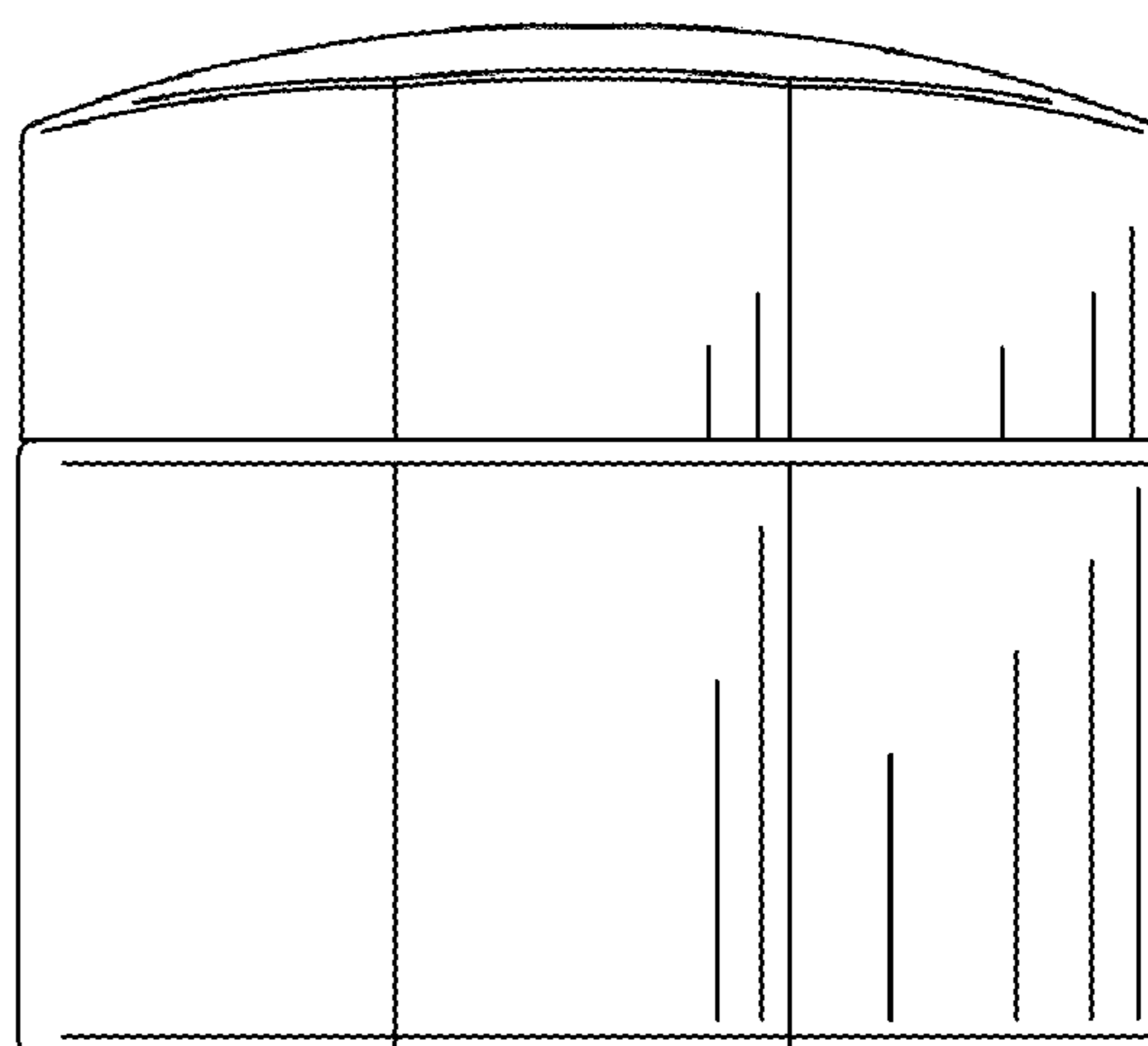
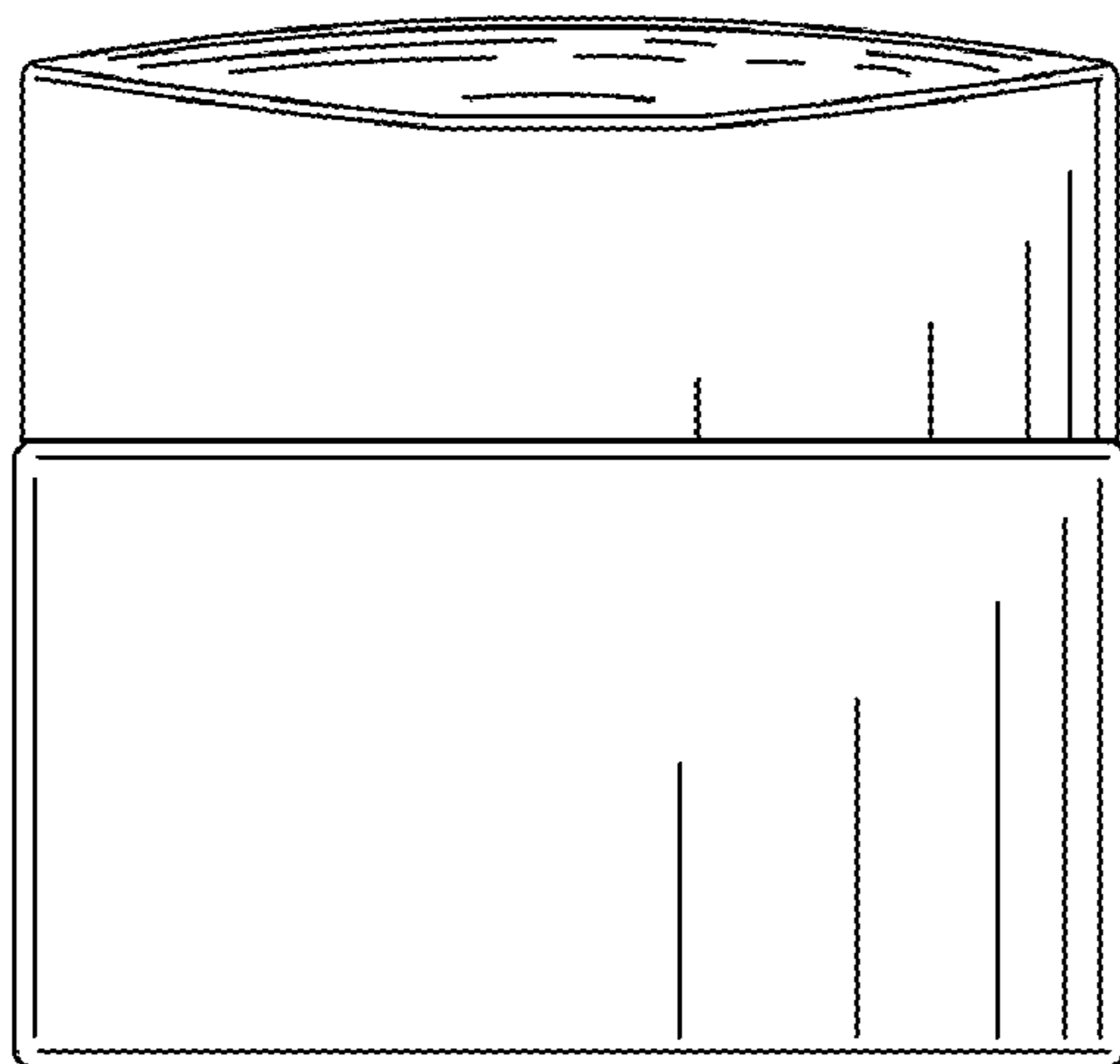
(57) **CLAIM**

The ornamental design for a pot, as shown and described.

DESCRIPTION

FIG. 1 is a perspective view of a pot
FIG. 2 is a left-side view of the pot of FIG. 1.
FIG. 3 is a front view of the pot of FIG. 1.
FIG. 4 is a right-side view of the pot of FIG. 1.
FIG. 5 is a rear view of the pot of FIG. 1; and,
FIG. 6 is a top view of the pot of FIG. 1.

1 Claim, 2 Drawing Sheets



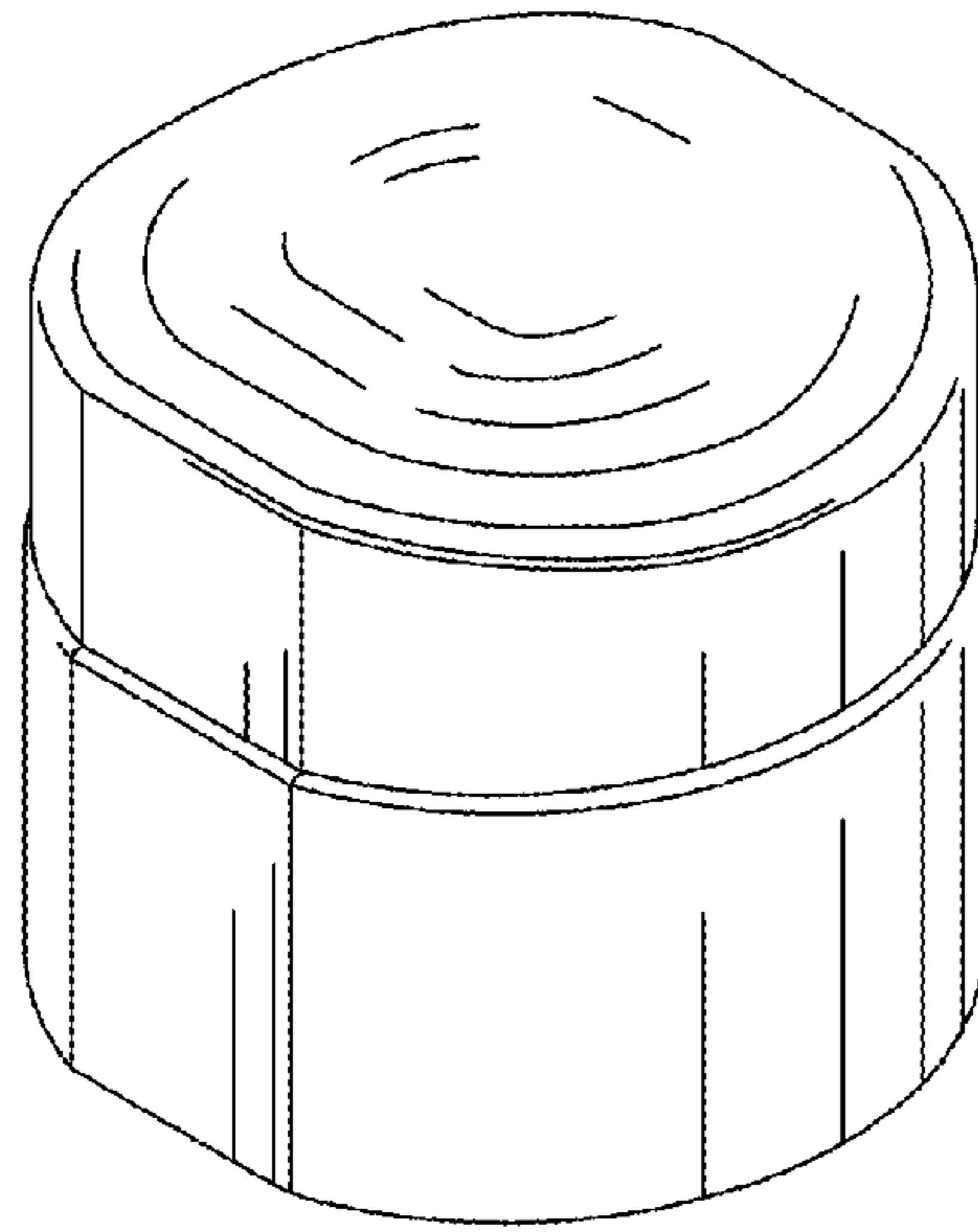


FIG. 1

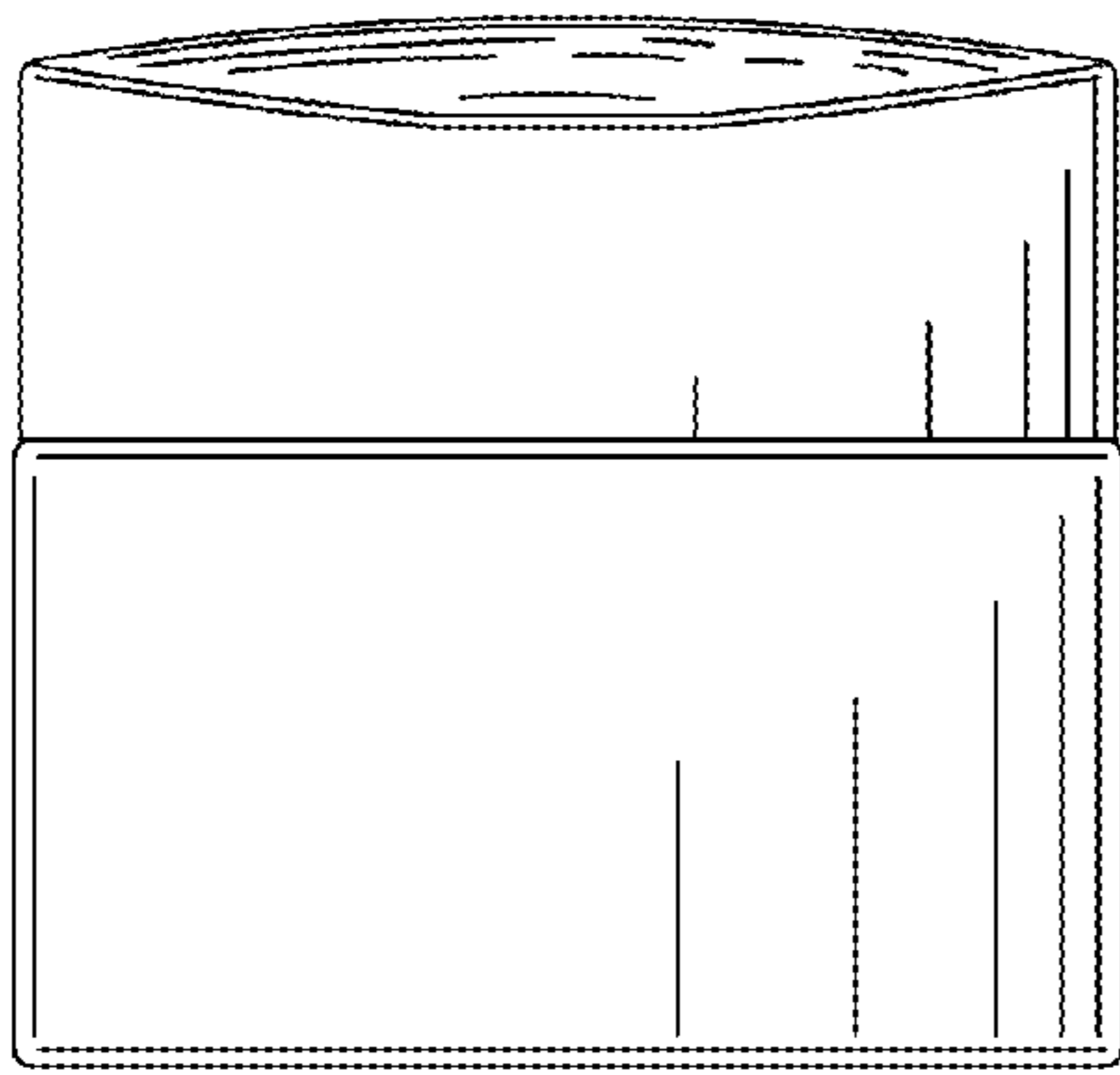


FIG. 2

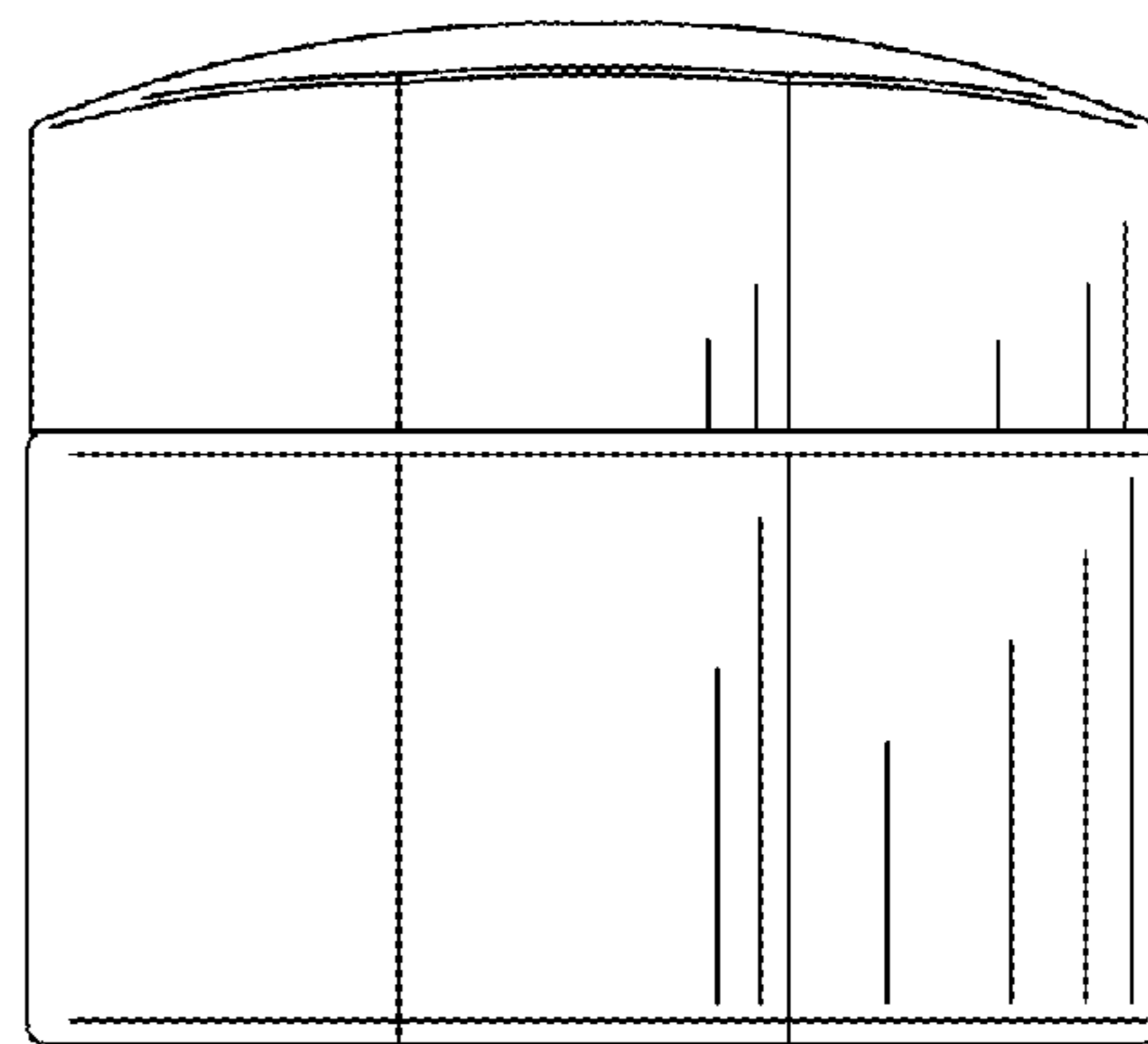


FIG. 3

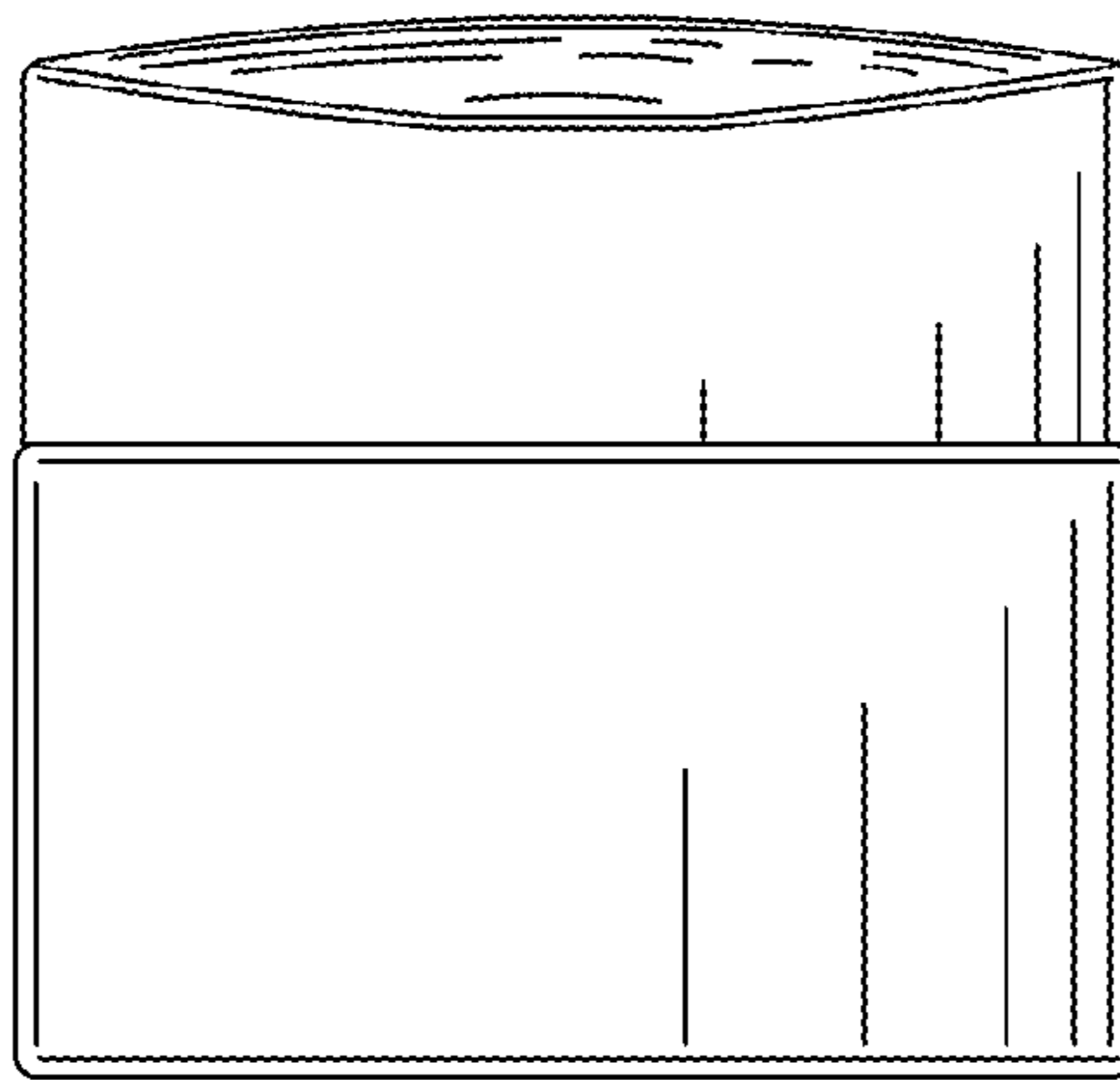


FIG. 4

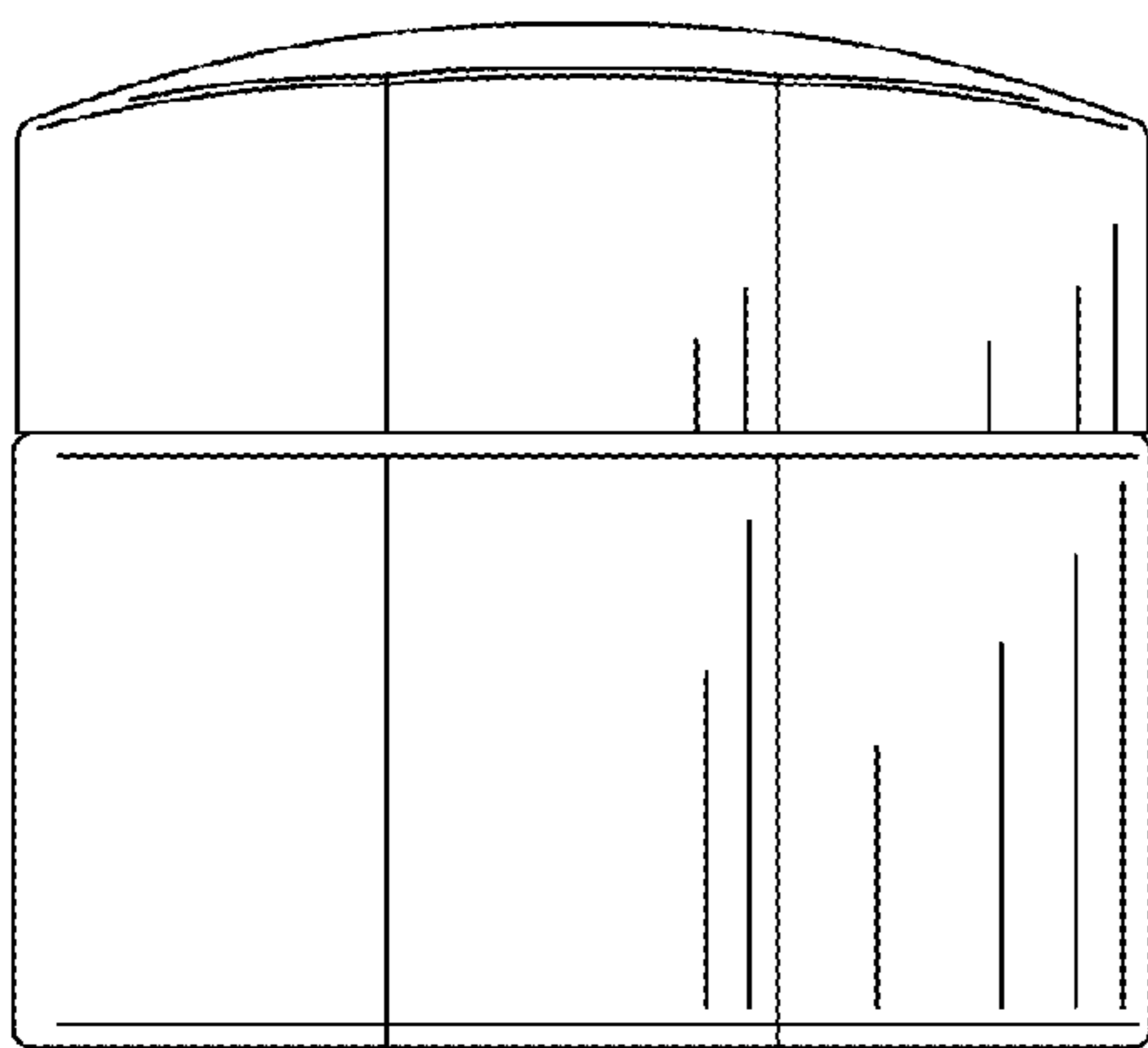


FIG. 5

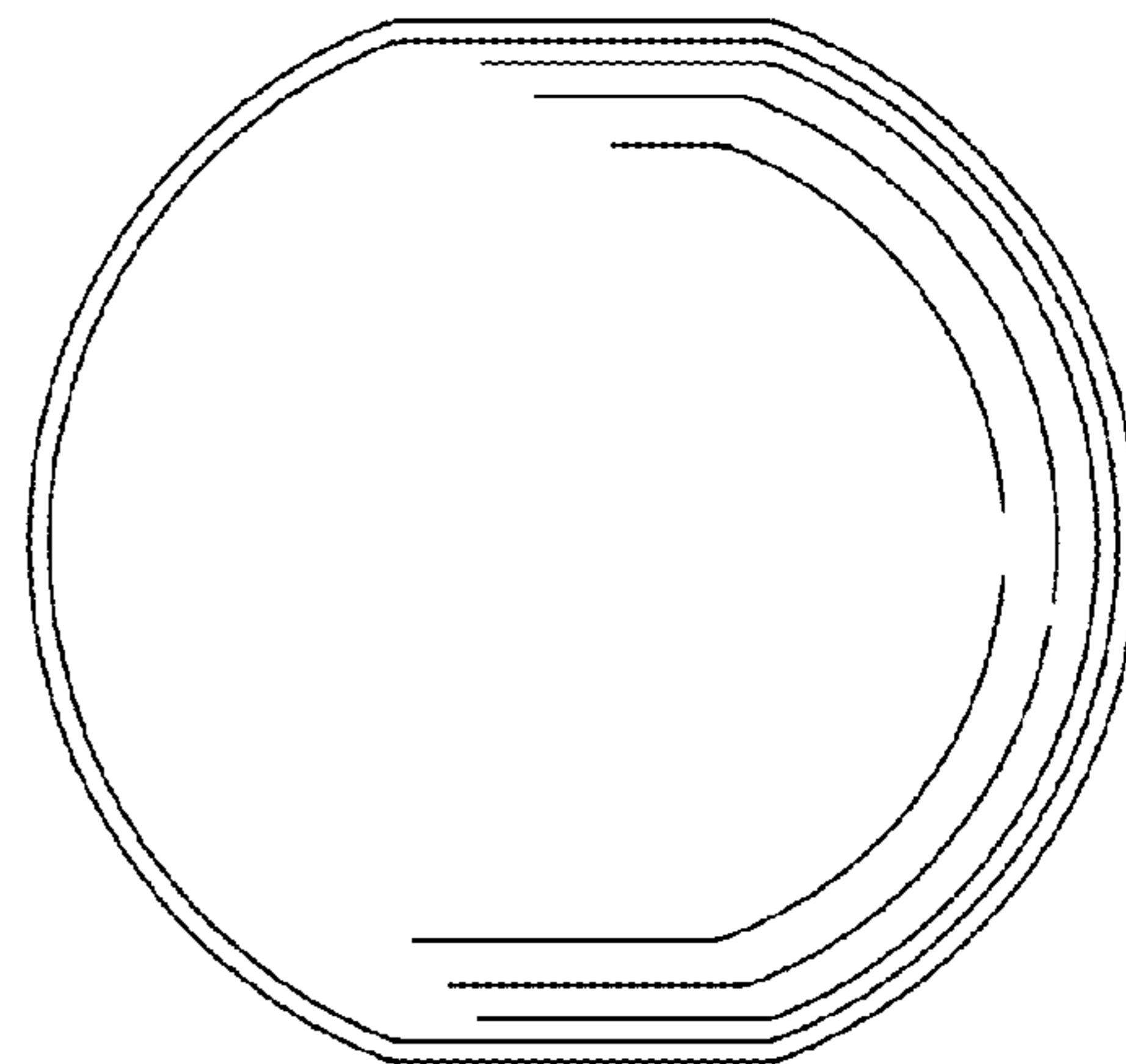


FIG. 6