



US00D710201S

(12) **United States Design Patent**
Miranda De Araujo et al.

(10) **Patent No.:** **US D710,201 S**
(45) **Date of Patent:** **** Aug. 5, 2014**

(54) **FITTED LID FOR CONTAINERS**

2012/0021140 A1 1/2012 Dijksman et al.

(75) Inventors: **Jefferson Luiz Miranda De Araujo**,
Rio de Janeiro (BR); **Claudio Patrick**
Vollers, Barra da tijuca (BR); **Leonardo**
Garcia Nogueira, Niteroi/Inga (BR)

FOREIGN PATENT DOCUMENTS

BR	9802607 A	6/2005
BR	PI0802245 A2	9/2009
CN	2571697 Y	9/2003
CN	2706417 Y	6/2005
CN	202046587 U	11/2011
DE	8003690 U1	5/1980
GB	2410493 A	8/2005
IL	41948 A	1/1977
WO	9936332 A1	7/1999
WO	99/67151 A1	12/1999
WO	200055063 A1	9/2000
WO	0205918 A1	1/2002
WO	2011153598 A1	12/2011

(73) Assignee: **Vilma da Silva Araujo Baptista**, Rio de Janeiro (BR)

(**) Term: **14 Years**

(21) Appl. No.: **29/406,946**

(22) Filed: **Nov. 21, 2011**

(30) **Foreign Application Priority Data**

May 26, 2011 (BR) 7102833

(51) **LOC (10) Cl.** **09-07**

(52) **U.S. Cl.**
USPC **D9/449**

(58) **Field of Classification Search**
USPC D9/454, 453, 449, 447, 446, 443, 440,
D9/439, 417; D7/396.2, 392.1; 222/556,
222/484; 220/837, 715, 259.2,
220/254.2-254.5; 215/306, 235, 236
See application file for complete search history.

(56) **References Cited**

U.S. PATENT DOCUMENTS

3,713,247 A	1/1973	Parrilla	
4,202,456 A	5/1980	Silber	
5,361,919 A	11/1994	Hull et al.	
6,296,541 B1	10/2001	Bezalel et al.	
6,702,642 B1	3/2004	Parein	
D516,425 S *	3/2006	Haffner et al.	D9/449
D585,739 S *	2/2009	Dombrowski et al.	D9/449
D650,672 S *	12/2011	Krallmann	D9/449
8,187,050 B1	5/2012	Sorensen	
2011/0139745 A1	6/2011	Ezra et al.	

OTHER PUBLICATIONS

Jefferson Luiz Miranda De Araujo, Design U.S. Appl. No. 29/406,940, filed Nov. 21, 2011.

Jefferson Luiz Miranda De Araujo, Design U.S. Appl. No. 29/406,936, filed Nov. 21, 2011.

* cited by examiner

Primary Examiner — Robert M Spear

(74) *Attorney, Agent, or Firm* — Carter, DeLuca, Farrell & Schmidt, LLP

(57) **CLAIM**

We claim the ornamental design for a fitted lid for containers, as shown and described.

DESCRIPTION

FIG. 1 is a perspective view of a fitted lid for containers that is the subject of the present design;

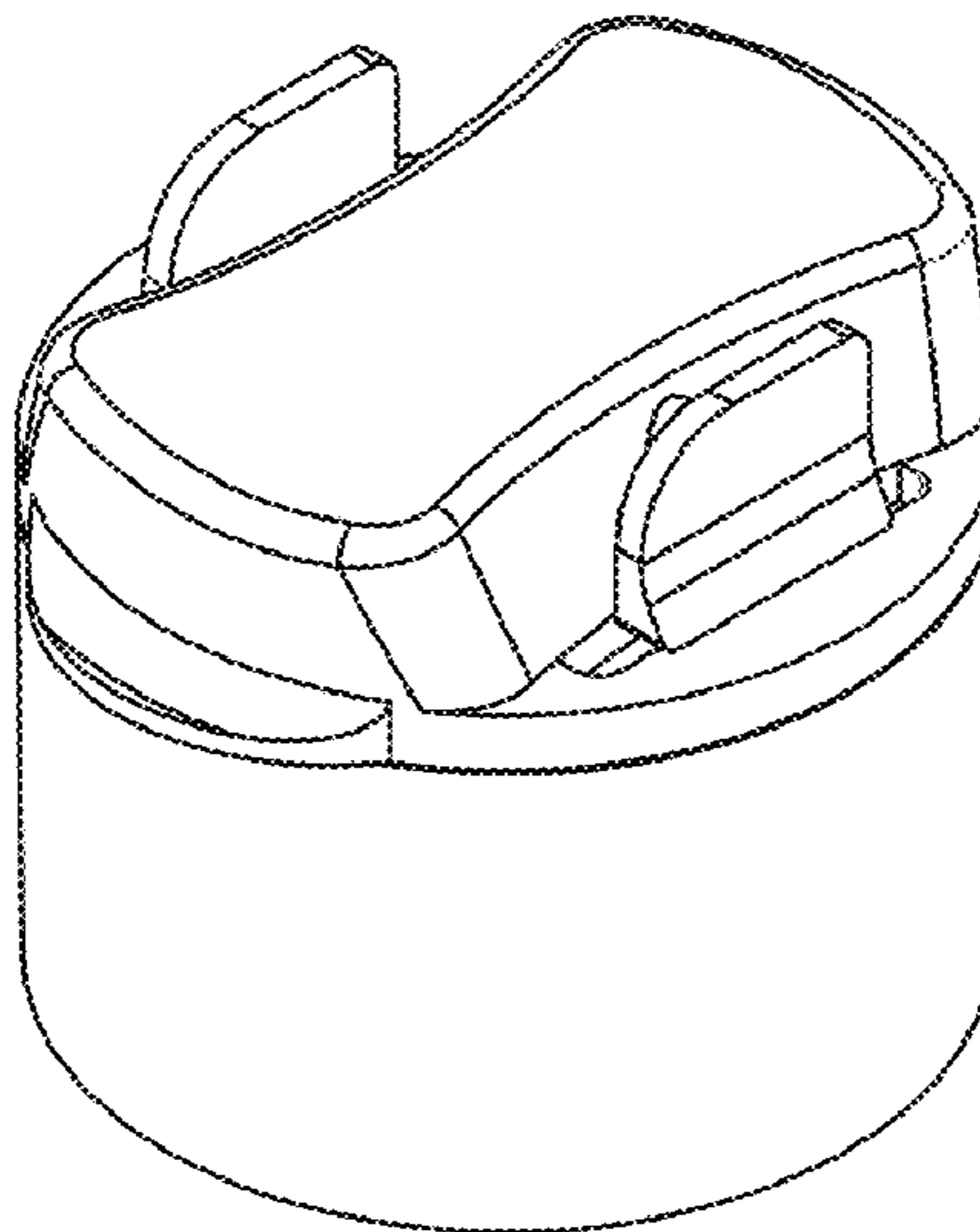
FIG. 2 is a side view of the fitted lid as shown in FIG. 1;

FIG. 3 is a front view of the fitted lid as shown in FIG. 1; and,

FIG. 4 is a top view of the fitted lid as shown in FIG. 1.

The broken lines in the drawings represent unclaimed environmental subject matter and form no part of the claim.

1 Claim, 1 Drawing Sheet



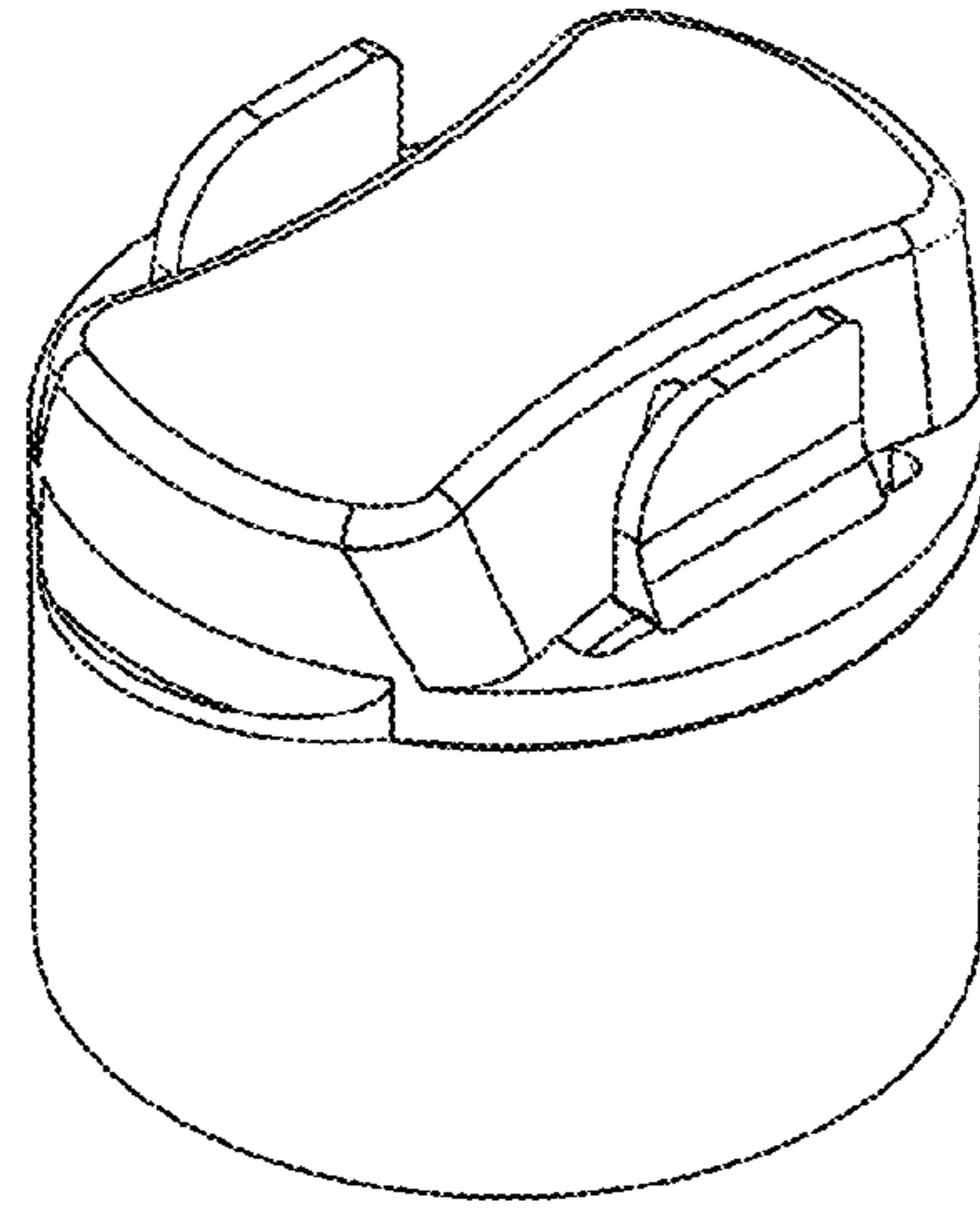


FIG. 1

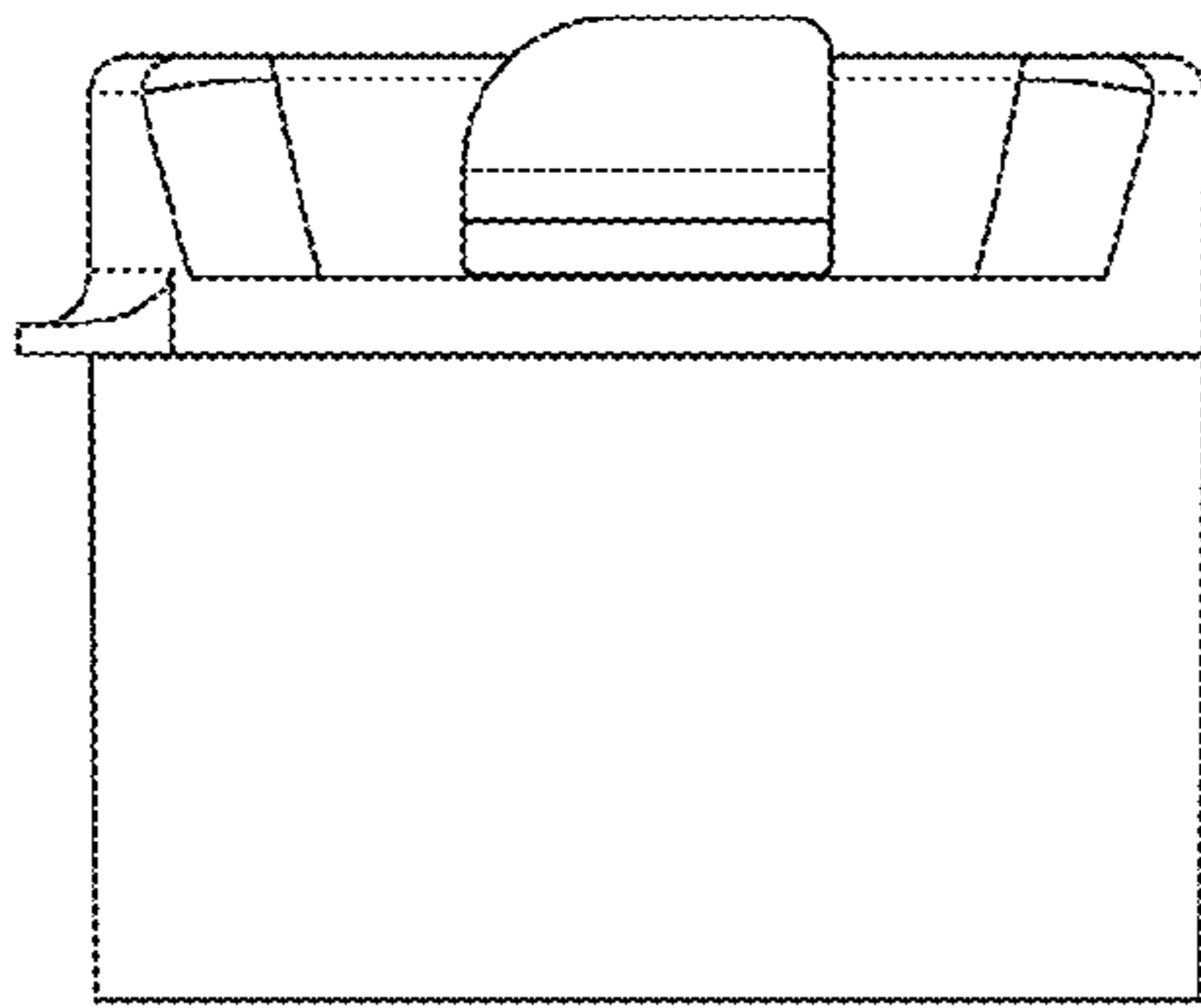


FIG. 2

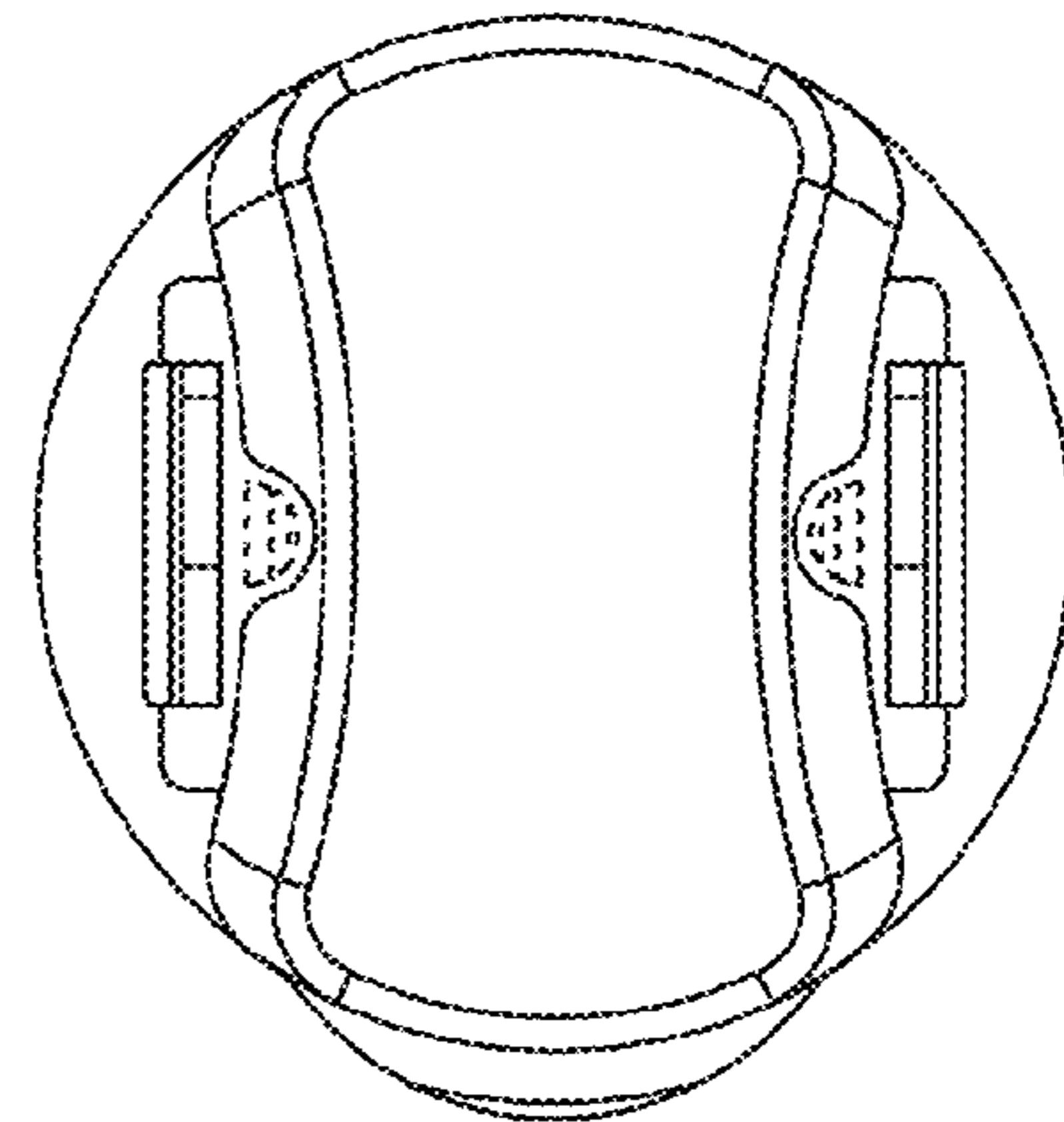


FIG. 4

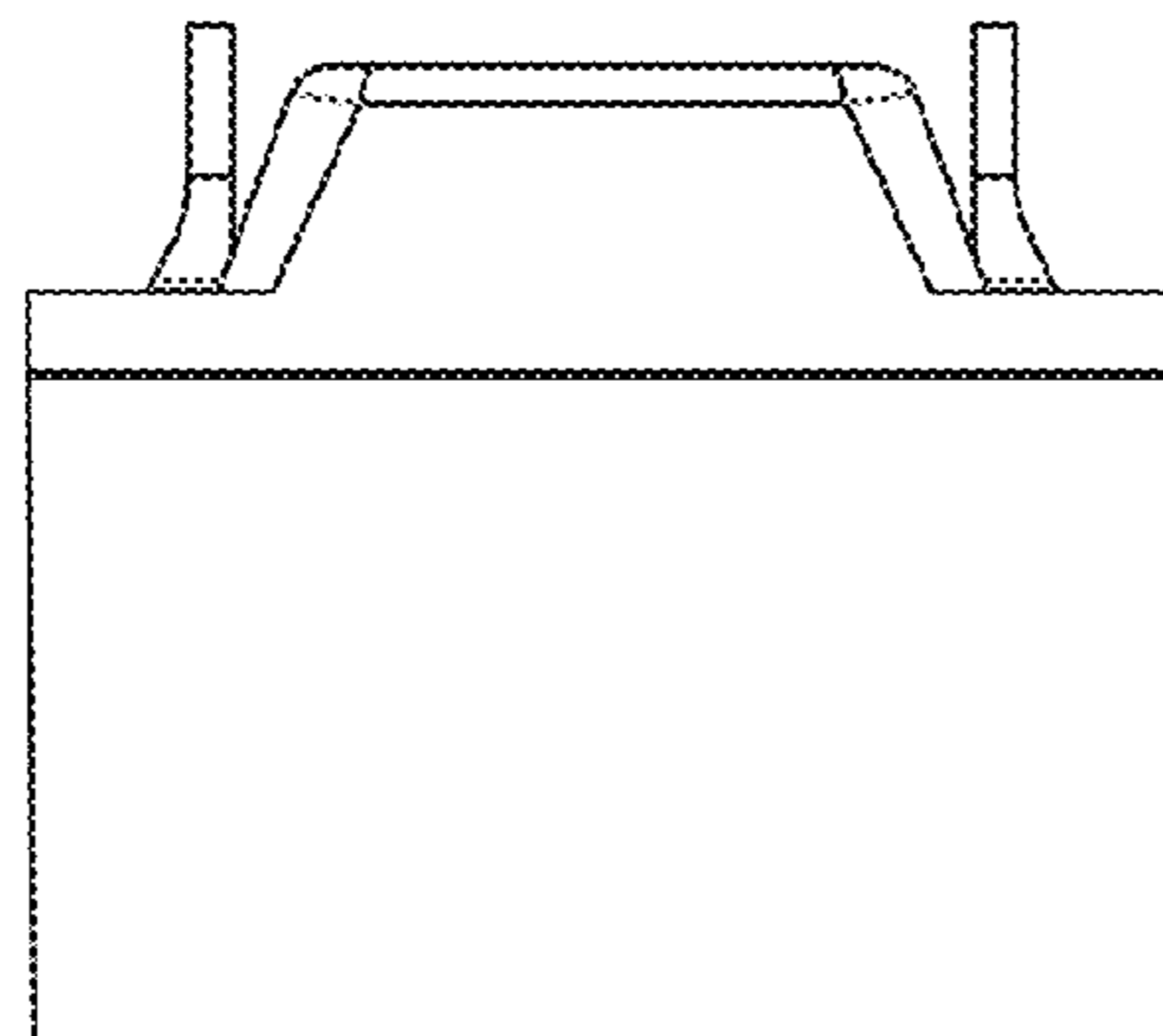


FIG. 3