



US00D710200S

(12) **United States Design Patent**
Takizawa et al.

(10) **Patent No.:** **US D710,200 S**

(45) **Date of Patent:** **** Aug. 5, 2014**

(54) **SPRAY HEAD FOR A CONTAINER**

(71) Applicants: **Osamu Takizawa**, Tokyo (JP); **Masaaki Seki**, Tokyo (JP); **Masato Suzuki**, Tokyo (JP)

(72) Inventors: **Osamu Takizawa**, Tokyo (JP); **Masaaki Seki**, Tokyo (JP); **Masato Suzuki**, Tokyo (JP)

(73) Assignee: **Mitani Valve Co., Ltd.**, Tokyo (JP)

(**) Term: **14 Years**

(21) Appl. No.: **29/445,546**

(22) Filed: **Feb. 13, 2013**

(30) **Foreign Application Priority Data**

Aug. 20, 2012 (JP) 2012-019881

(51) **LOC (10) Cl.** **09-07**

(52) **U.S. Cl.**
USPC **D9/448**

(58) **Field of Classification Search**
USPC D9/434, 435, 448, 449; D23/213, 226;
222/323, 383.1, 383.3, 402.15;
239/120, 215, 333, 394, 526, 539;
417/178, 198, 411
See application file for complete search history.

(56) **References Cited**

U.S. PATENT DOCUMENTS

5,871,126 A * 2/1999 Bennett et al. 222/207
D458,539 S * 6/2002 Bakic D9/448
D481,305 S * 10/2003 Walters et al. D9/685
D511,974 S * 11/2005 Petek D9/682

D580,761 S * 11/2008 Sweeton D9/448
D582,272 S * 12/2008 Cichy D9/448
D623,517 S * 9/2010 Pechinot D9/449
D627,224 S * 11/2010 Bass et al. D9/445
2013/0277397 A1 * 10/2013 Erickson et al. 222/153.11

* cited by examiner

Primary Examiner — Robert M Spear

(74) *Attorney, Agent, or Firm* — Lucas & Mercanti, LLP

(57) **CLAIM**

The ornamental design for the spray head for a container, as shown and described.

DESCRIPTION

FIG. 1 is a front elevation view of a spray head for a container showing the invented design.

FIG. 2 is a left side elevation view thereof.

FIG. 3 is a right side elevation view thereof.

FIG. 4 is a top plan view thereof.

FIG. 5 is a bottom plan view thereof.

FIG. 6 is a top, front and left perspective view thereof.

FIG. 7 is a bottom, rear and right perspective view thereof.

FIG. 8 is a cross-sectional view along Line 8-8' of FIG. 4.

FIG. 9 is a front elevation view thereof in a state of spray.

FIG. 10 is a left side elevation view thereof in the state of spray.

FIG. 11 is a right side elevation view thereof in the state of spray.

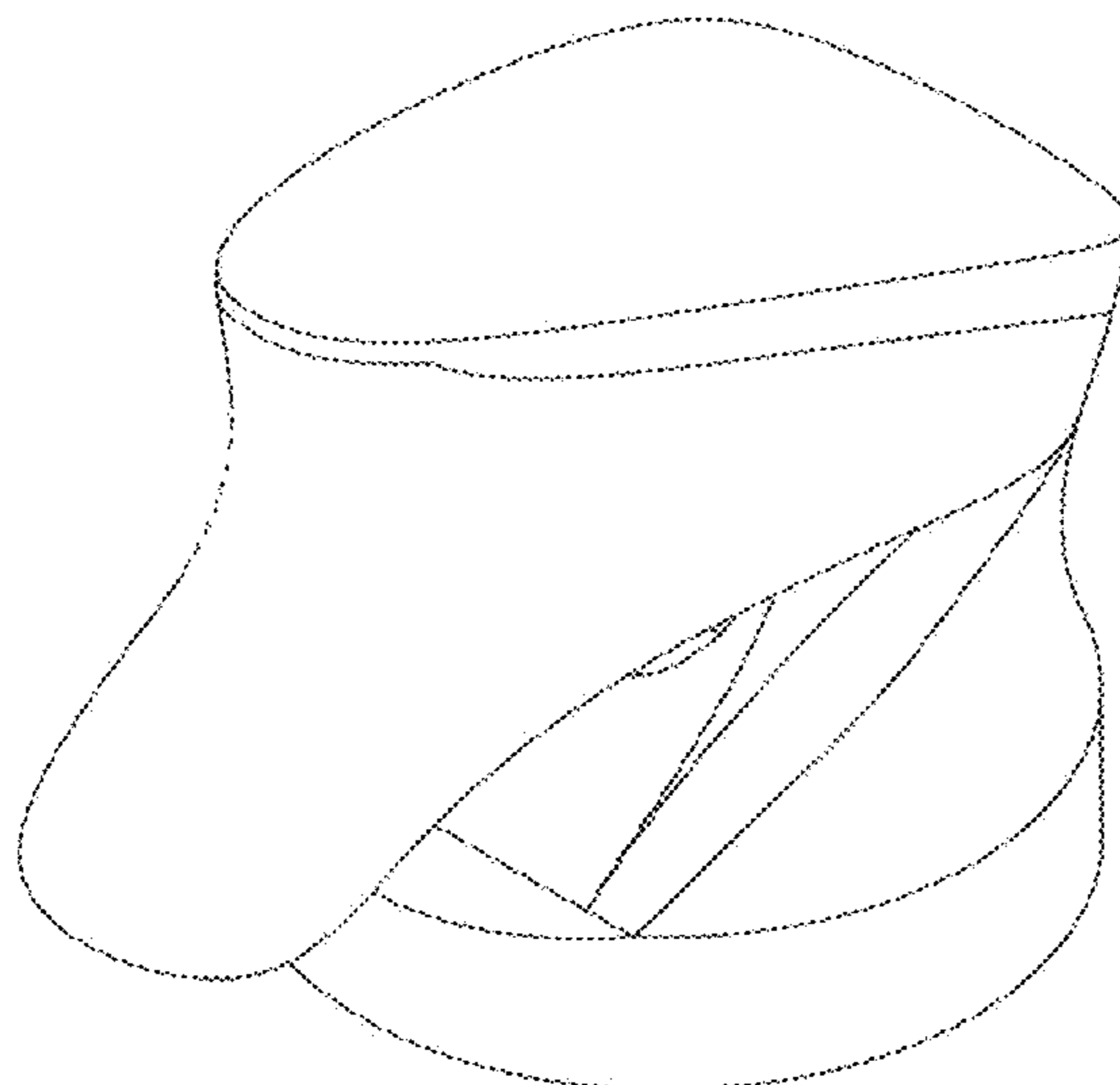
FIG. 12 is a top plan view thereof in the state of spray.

FIG. 13 is a bottom plan view thereof in the state of spray.

FIG. 14 is a top, front and left perspective view thereof in the state of spray; and,

FIG. 15 is a cross-sectional view along Line 15-15' of FIG. 12.

1 Claim, 15 Drawing Sheets



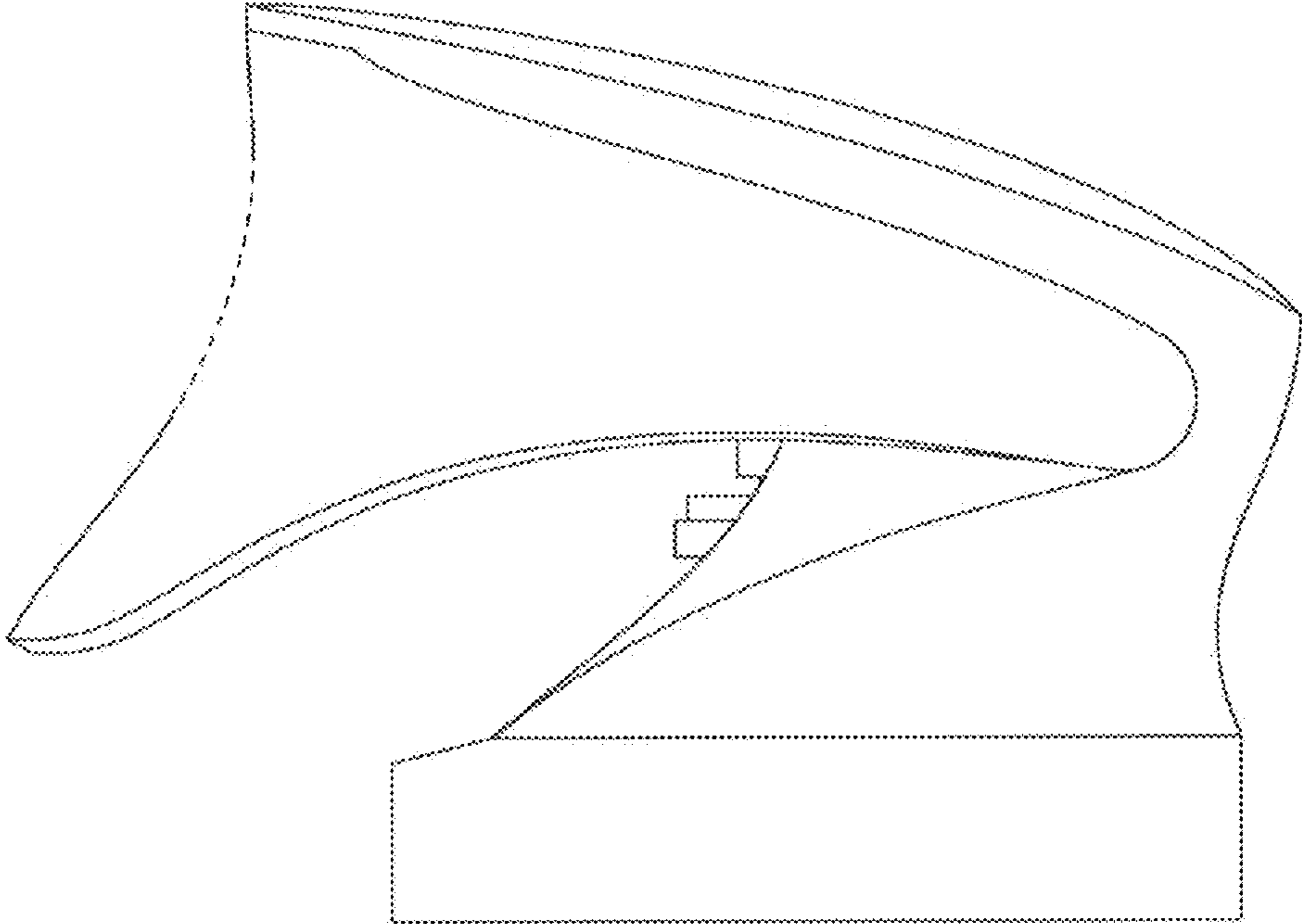


FIG. 1

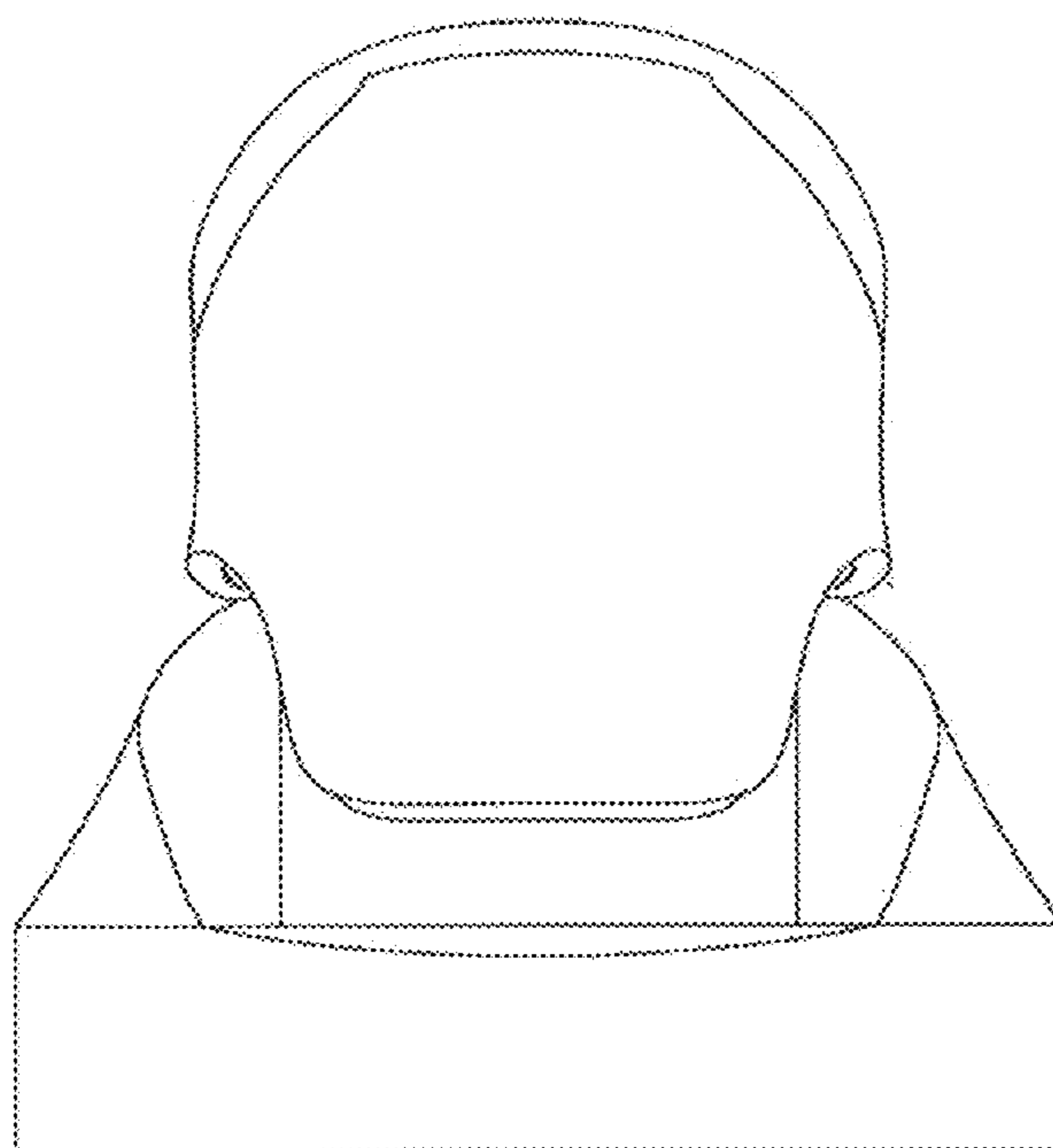


FIG. 2

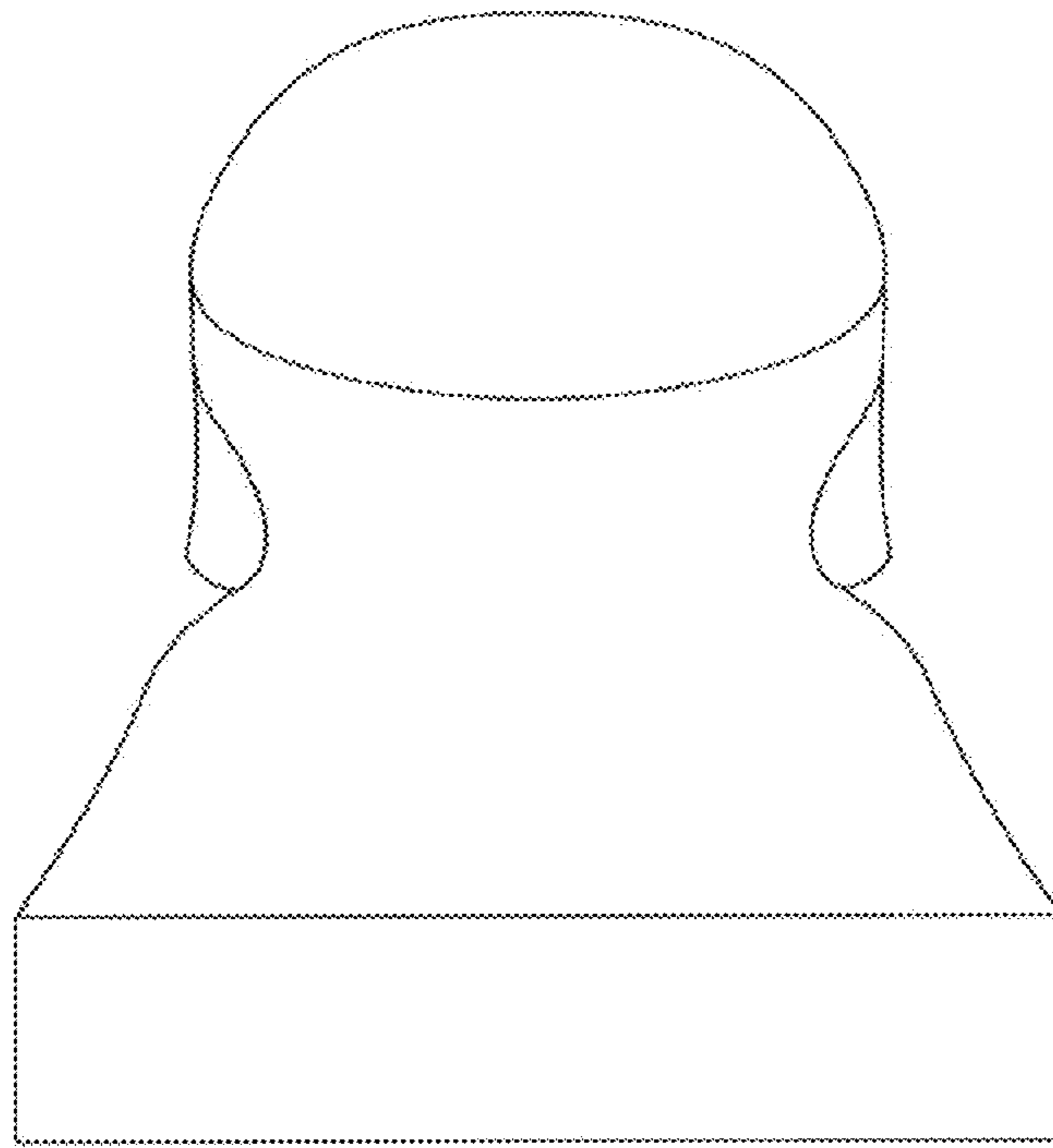


FIG. 3

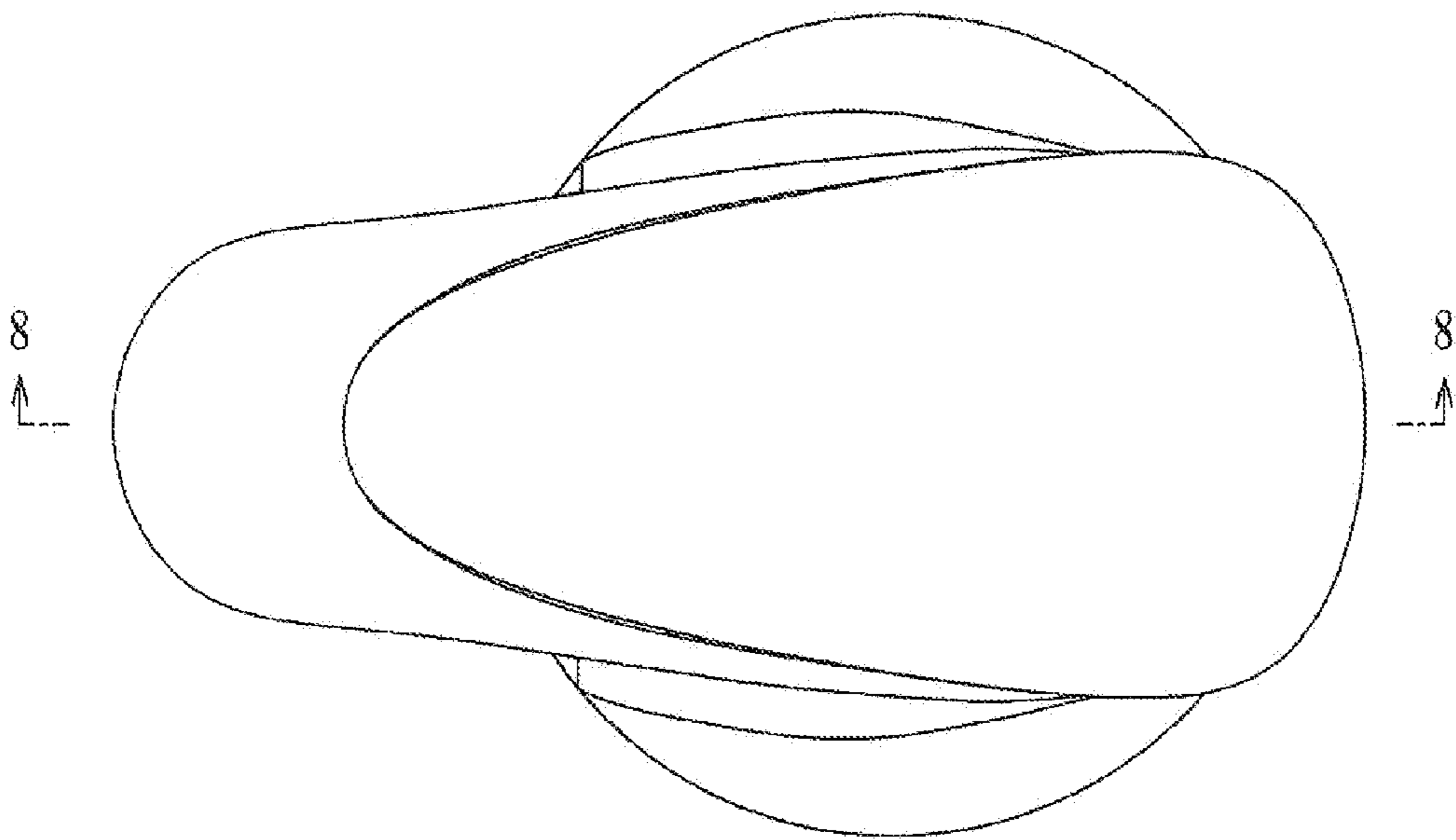


FIG. 4

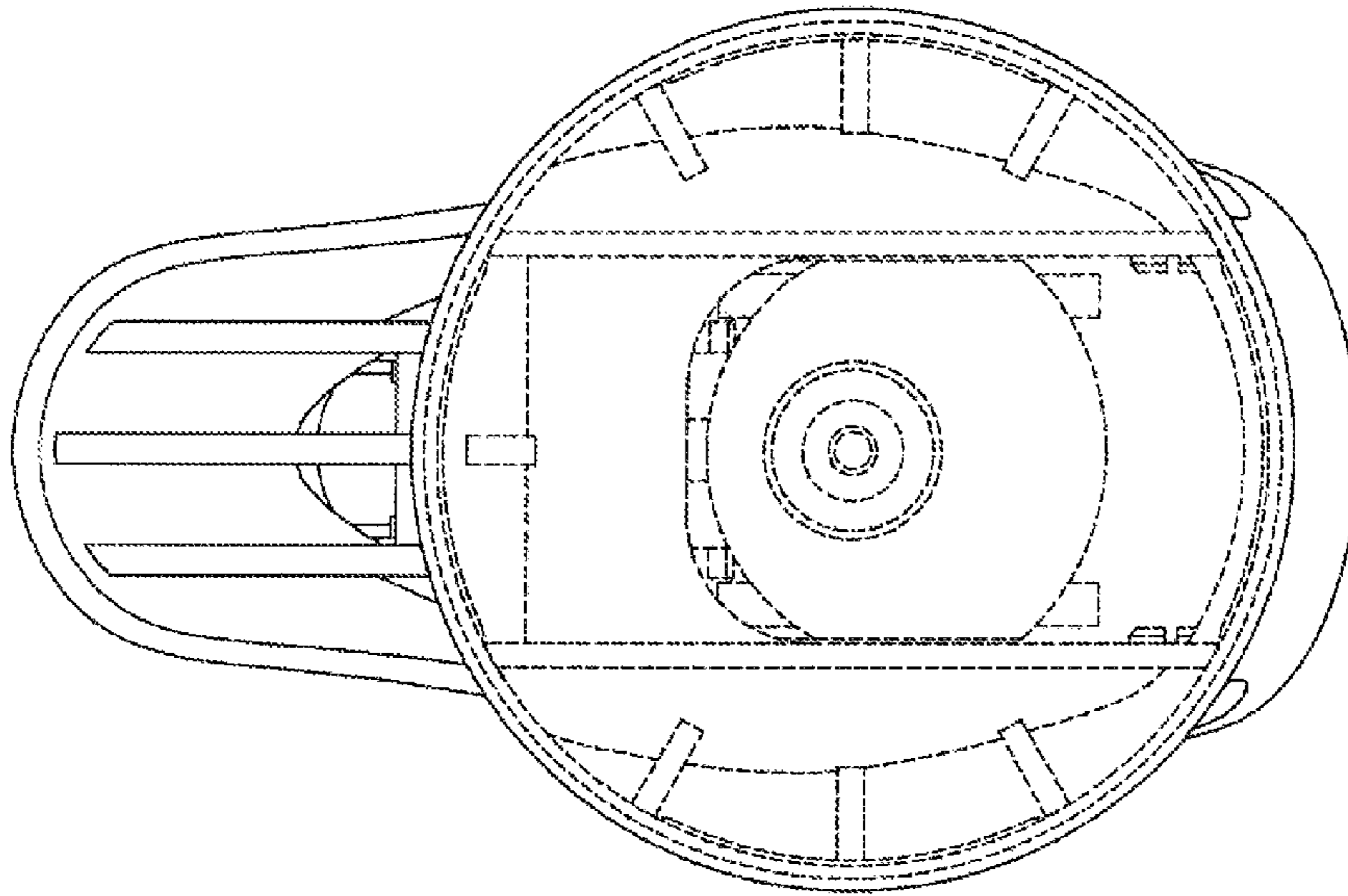


FIG. 5

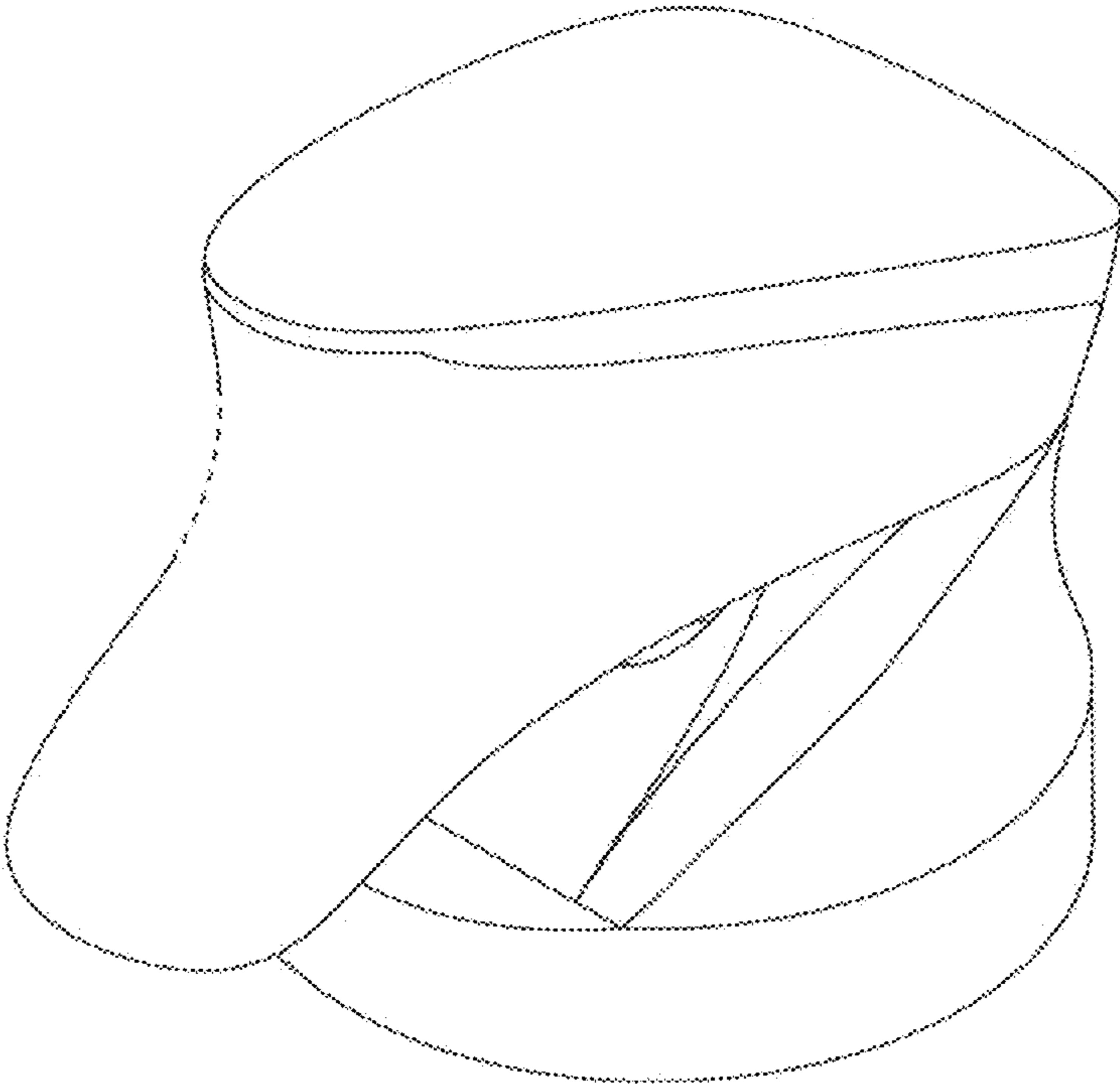


FIG. 6

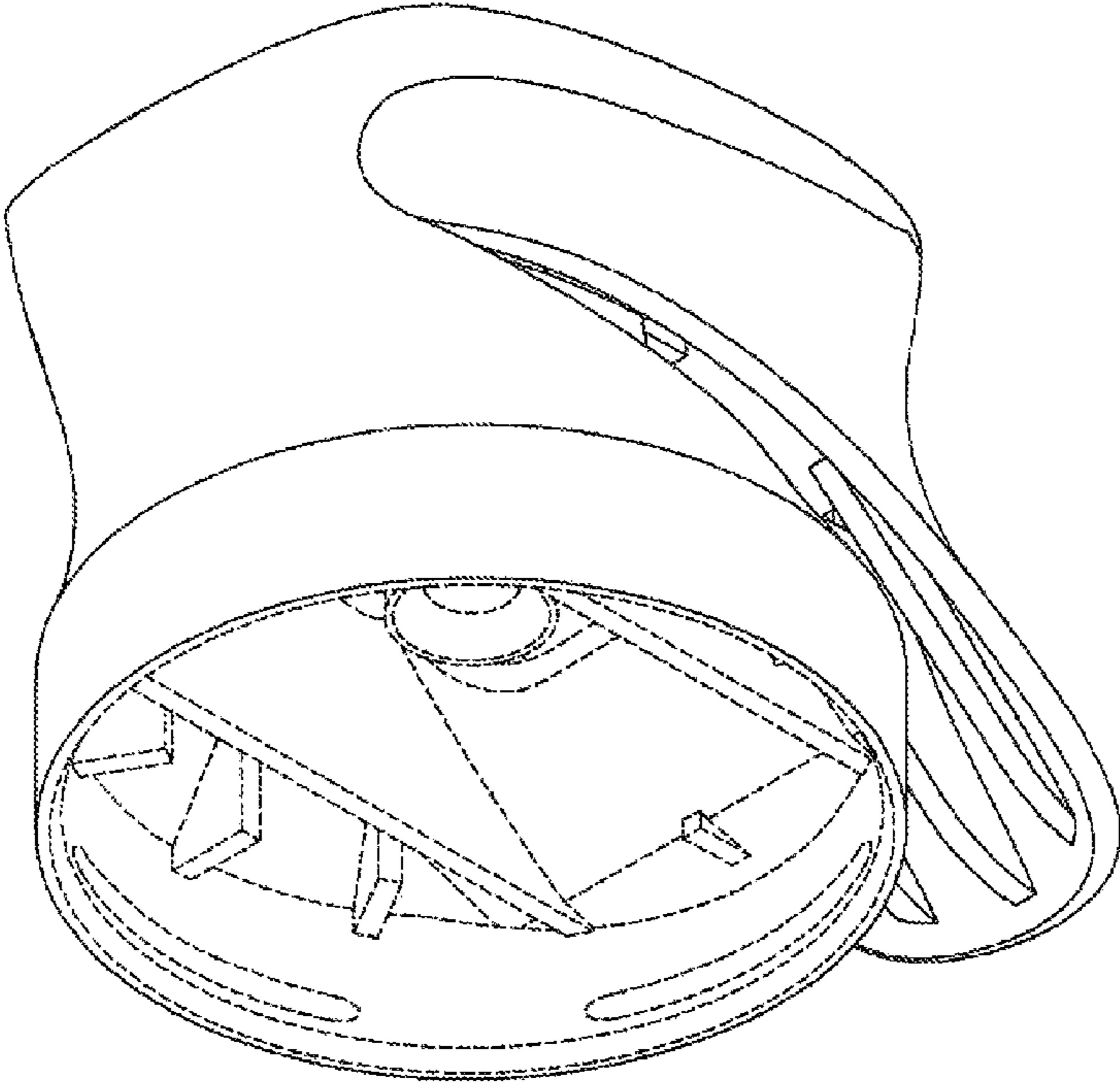


FIG. 7

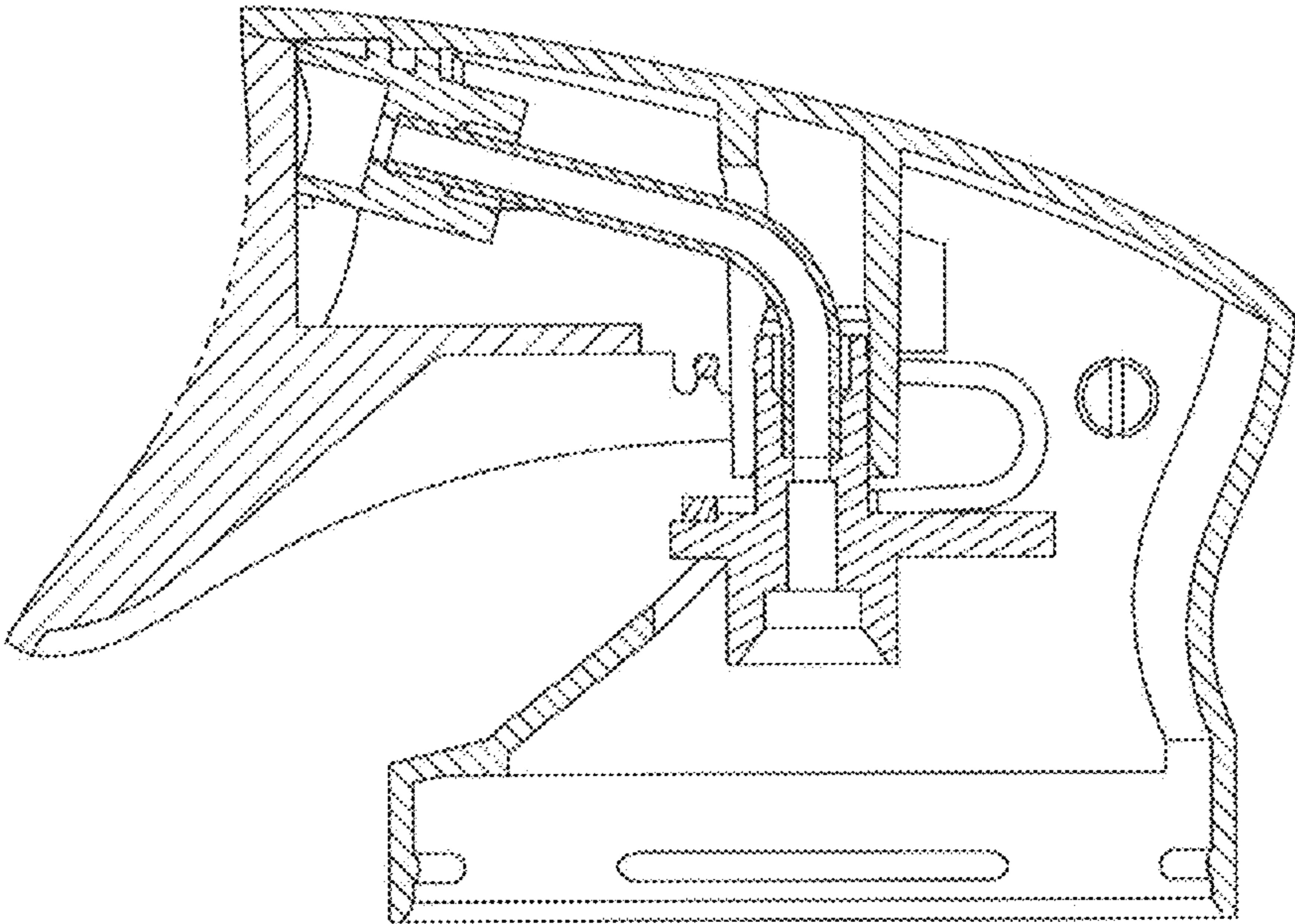


FIG. 8

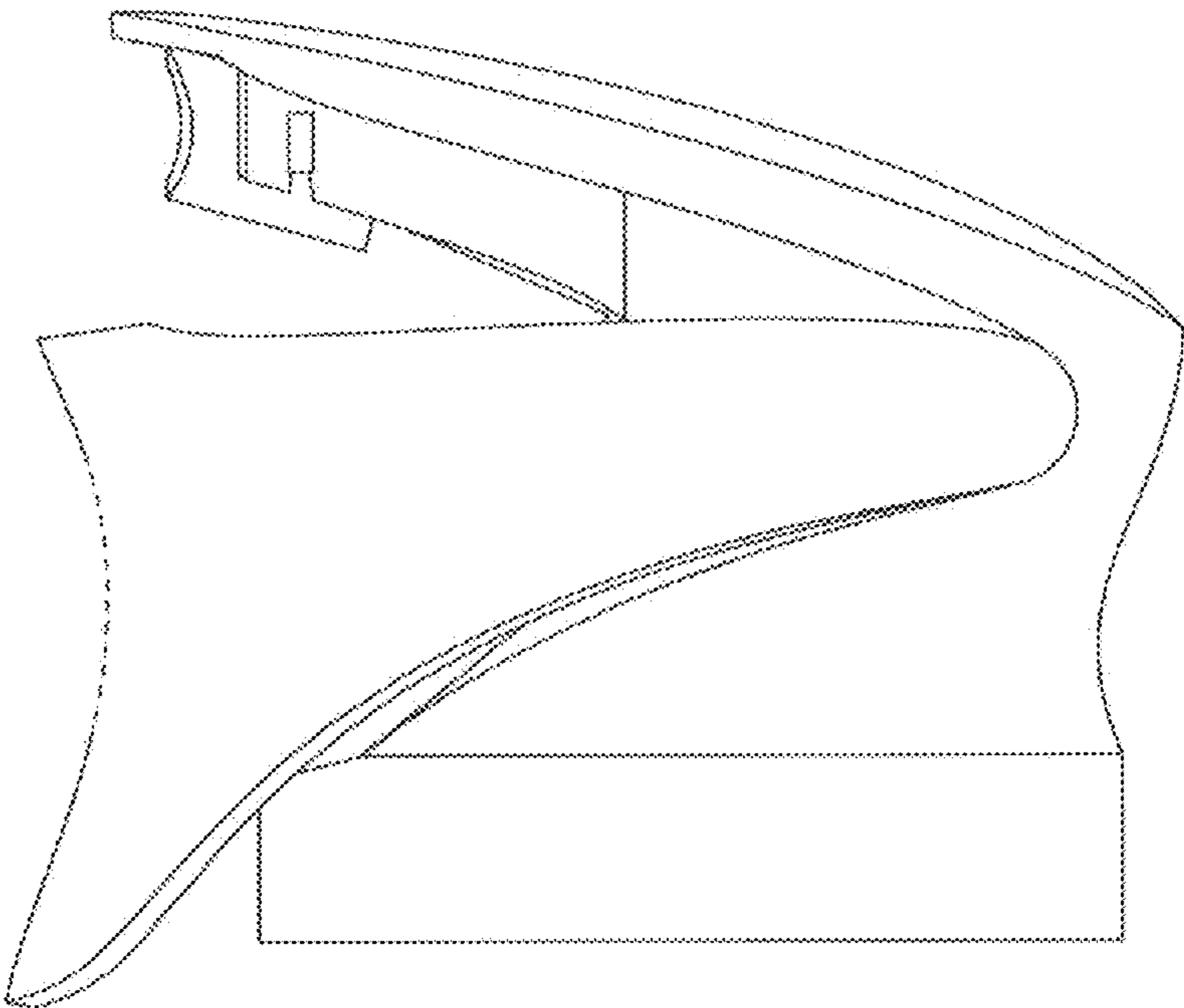


FIG. 9

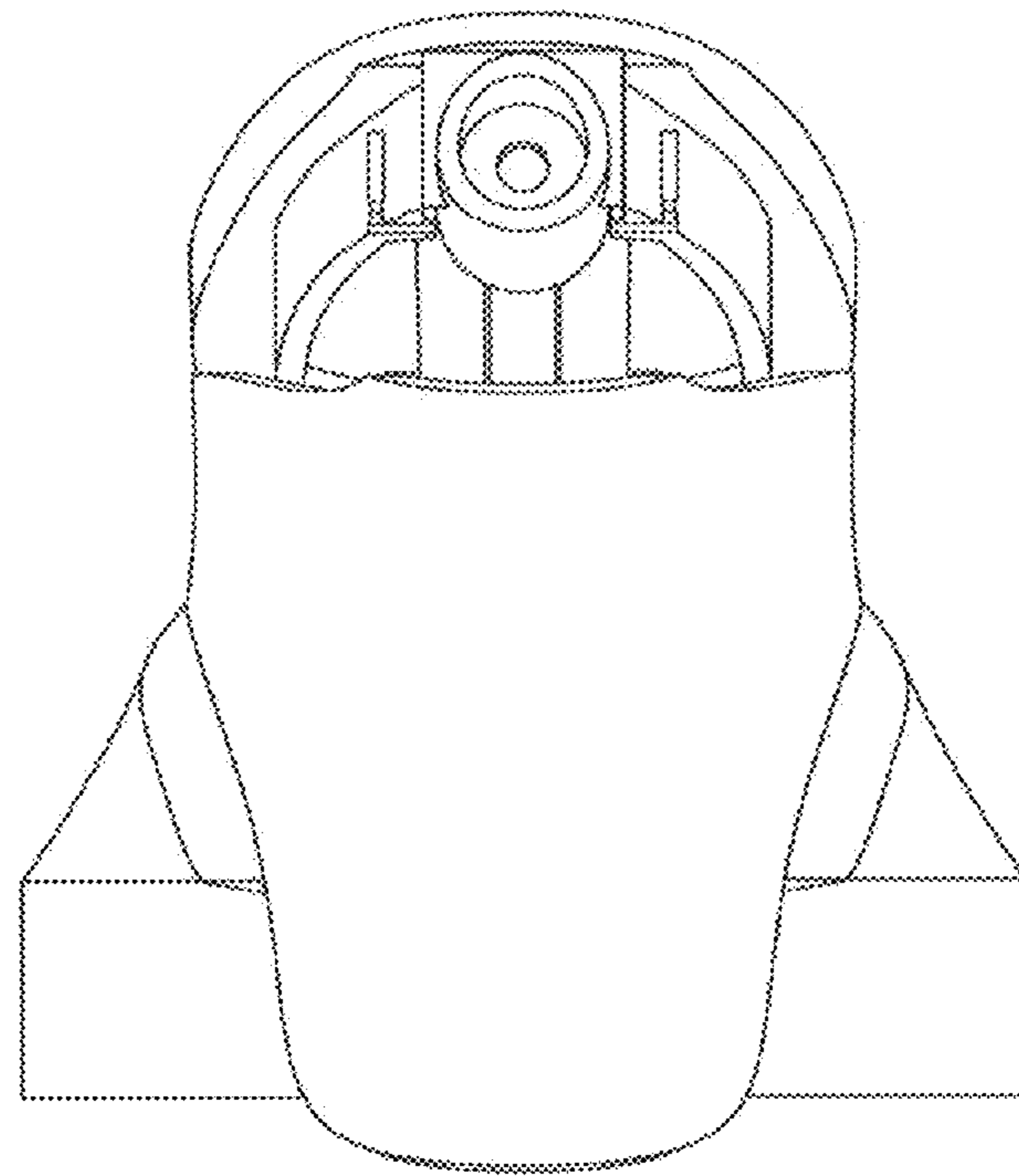


FIG. 10

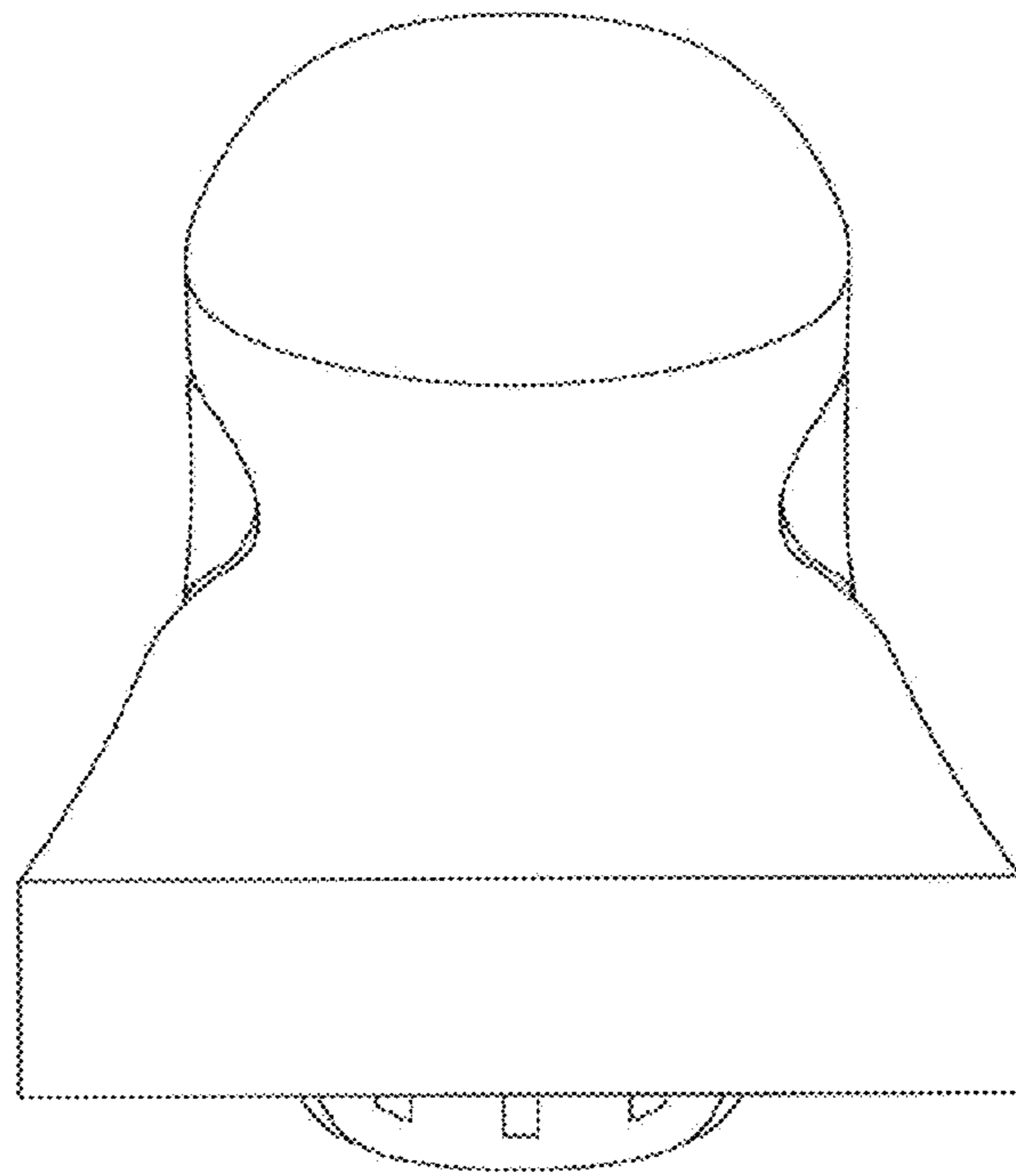


FIG. 11

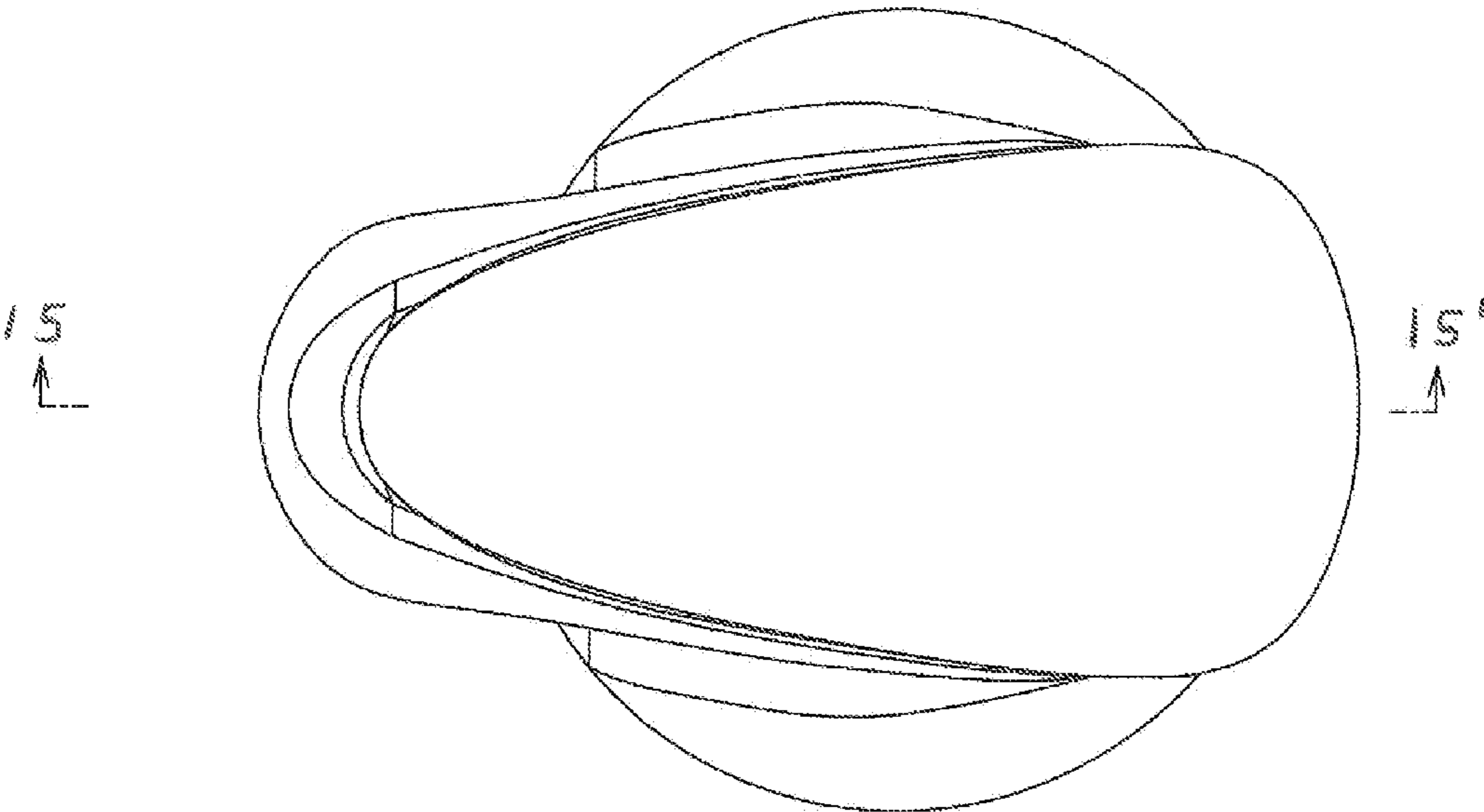


FIG. 12

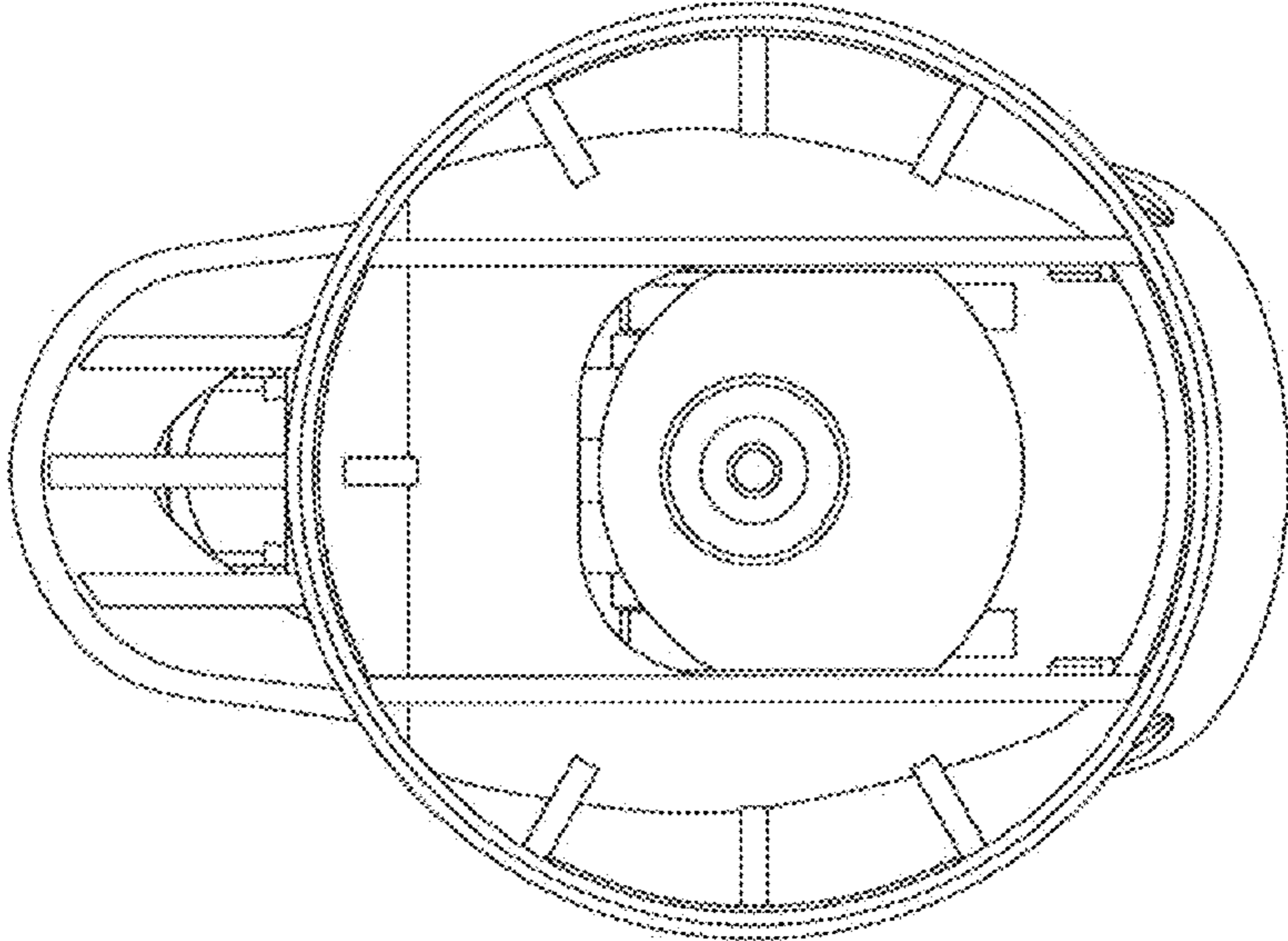


FIG. 13

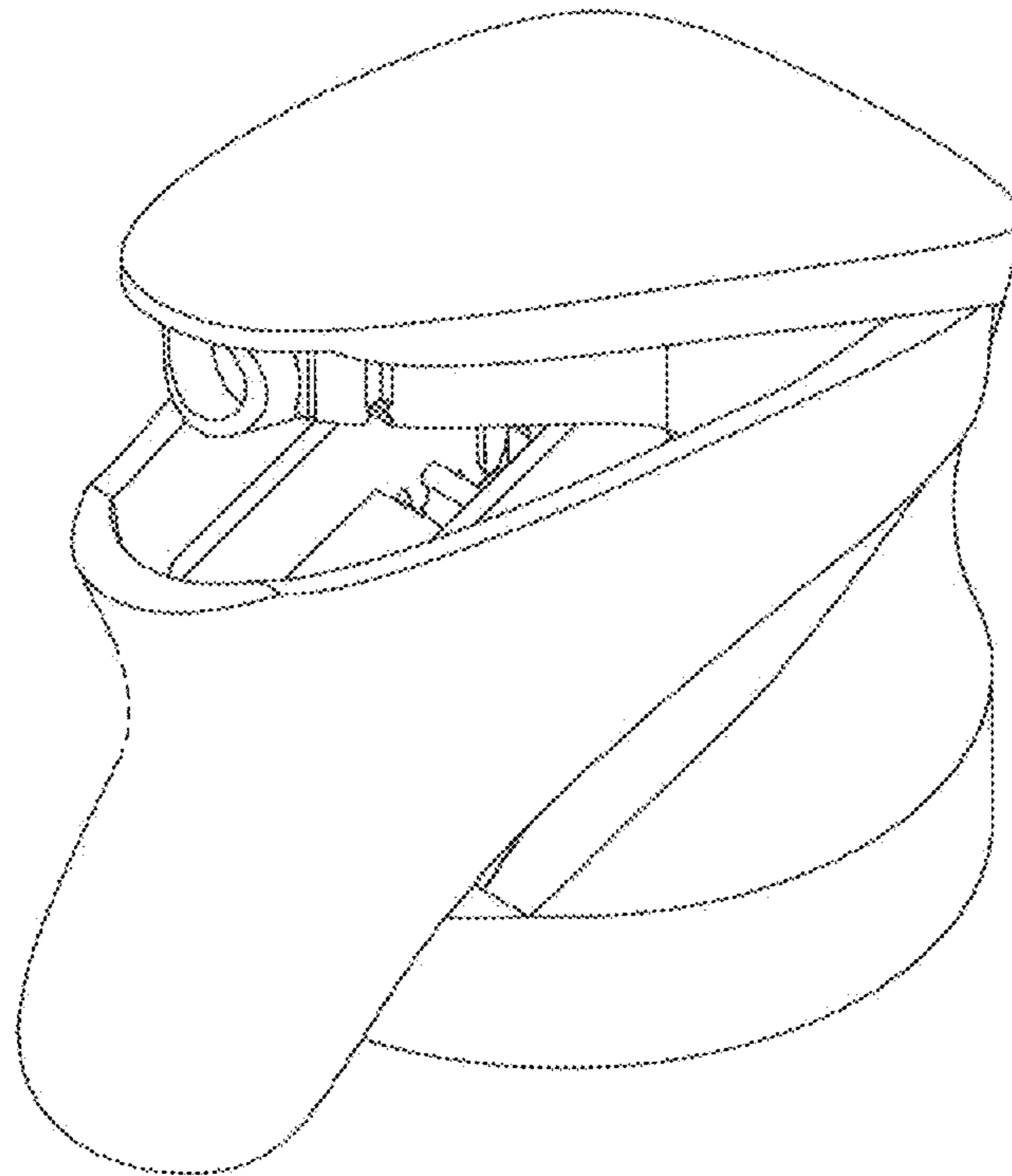


FIG. 14

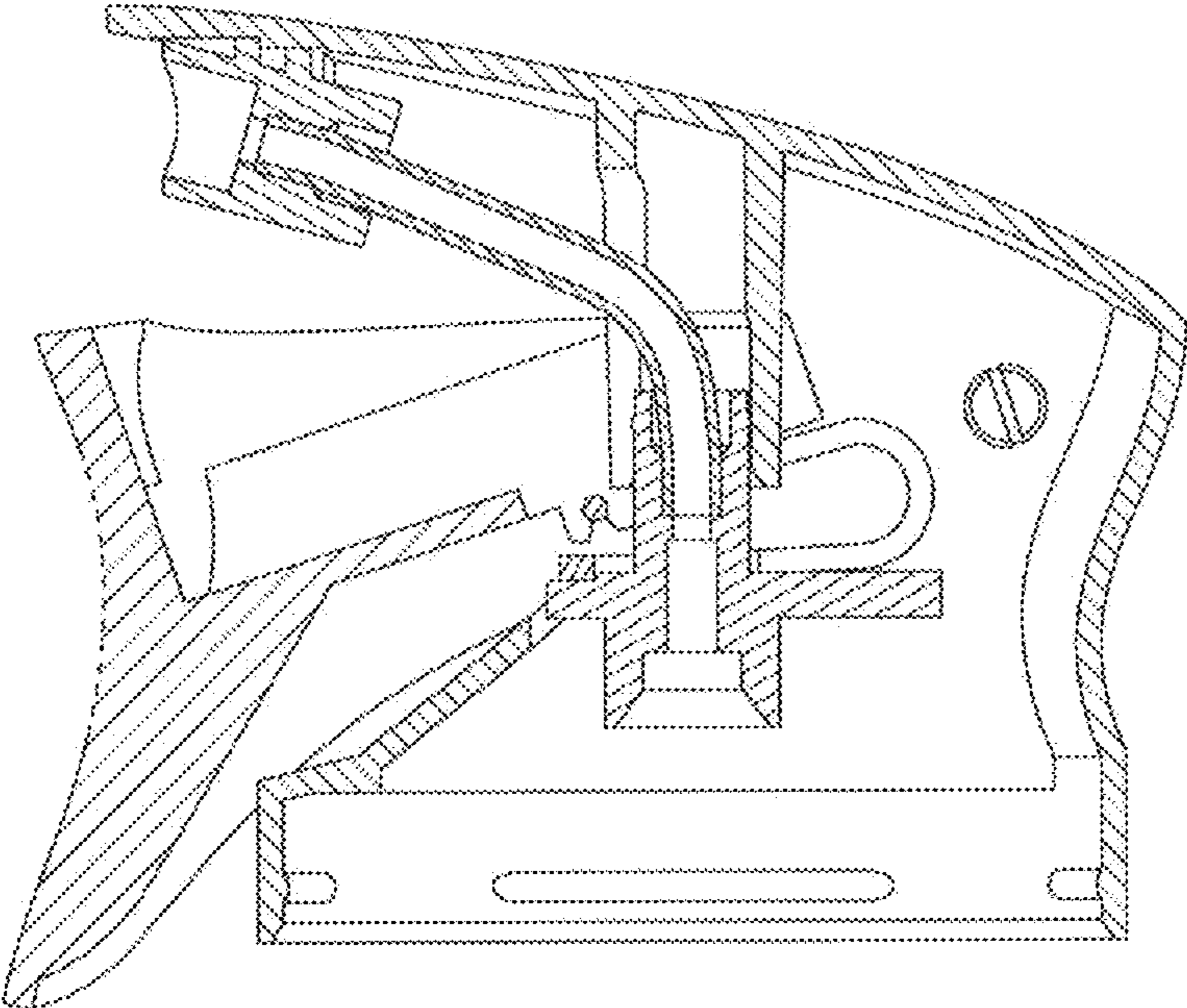


FIG. 15