



US00D710199S

(12) **United States Design Patent**  
**Arvinte et al.**

(10) **Patent No.:** **US D710,199 S**

(45) **Date of Patent:** **\*\* Aug. 5, 2014**

(54) **PAINT CAN FUNNEL**

(71) Applicant: **A. Richard Tools Co./Outils A. Richard Co.**, Berthierville (CA)

(72) Inventors: **Romeo Arvinte**, Laval-des-Rapides (CA); **Francois Panfili**, Berthierville (CA); **Richard Small**, Lac du Bonnet (CA)

(73) Assignees: **A. Richard Tools Co.**, Berthierville, Quebec (CA); **Outils A. Richard Co.**, Berthierville, Quebec (CA)

(\*\*) Term: **14 Years**

(21) Appl. No.: **29/448,233**

(22) Filed: **Mar. 11, 2013**

(30) **Foreign Application Priority Data**

Sep. 13, 2012 (CA) ..... 147438  
Mar. 6, 2013 (CA) ..... 150127

(51) **LOC (10) Cl.** ..... **09-07**

(52) **U.S. Cl.**  
USPC ..... **D9/447**

(58) **Field of Classification Search**

CPC ..... B44D 3/12; B44D 3/126; B44D 3/128;  
B65D 5/746; B65D 25/48; B65D 47/122;  
A47G 19/12

USPC ..... D7/396.2, 507, 509, 510, 511; D9/424,  
D9/434, 435, 443, 444, 447, 448, 452, 453,  
D9/454; 215/200, 235, 236, 252, 254, 329,  
215/355-364; 220/200; 222/460, 570

See application file for complete search history.

(56) **References Cited**

**U.S. PATENT DOCUMENTS**

2,817,464 A \* 12/1957 Schugeld ..... 222/465.1  
D248,076 S \* 6/1978 Christian ..... D7/545

4,316,560 A \* 2/1982 Carter ..... 222/567  
4,736,874 A \* 4/1988 Durant ..... 222/570  
5,213,239 A \* 5/1993 Macaluso ..... 222/570  
5,913,450 A \* 6/1999 Runkel ..... 220/696  
6,264,072 B1 \* 7/2001 Johannes ..... 222/460  
6,539,991 B1 \* 4/2003 Ackerman ..... 141/331  
6,705,480 B1 \* 3/2004 Saddler ..... 220/4.03

(Continued)

*Primary Examiner* — Robert M Spear

*Assistant Examiner* — Marissa Cash

(74) *Attorney, Agent, or Firm* — Merchant & Gould P.C.

(57) **CLAIM**

The ornamental design for a paint can funnel, as shown and described.

**DESCRIPTION**

FIG. 1 is a top perspective view of the article being made of a transparent material according to first embodiment of a paint can funnel showing our new design;

FIG. 2 is a bottom perspective view thereof;

FIG. 3 is a front view thereof;

FIG. 4 is a rear view thereof;

FIG. 5 is a right side view thereof;

FIG. 6 is a left side view thereof;

FIG. 7 is a top view thereof;

FIG. 8 is a bottom view thereof;

FIG. 9 is a top perspective view of the article being made of an opaque material according to a second embodiment of a paint can funnel showing our new design;

FIG. 10 is a bottom perspective view thereof;

FIG. 11 is a front view thereof;

FIG. 12 is a rear view thereof;

FIG. 13 is a right side view thereof;

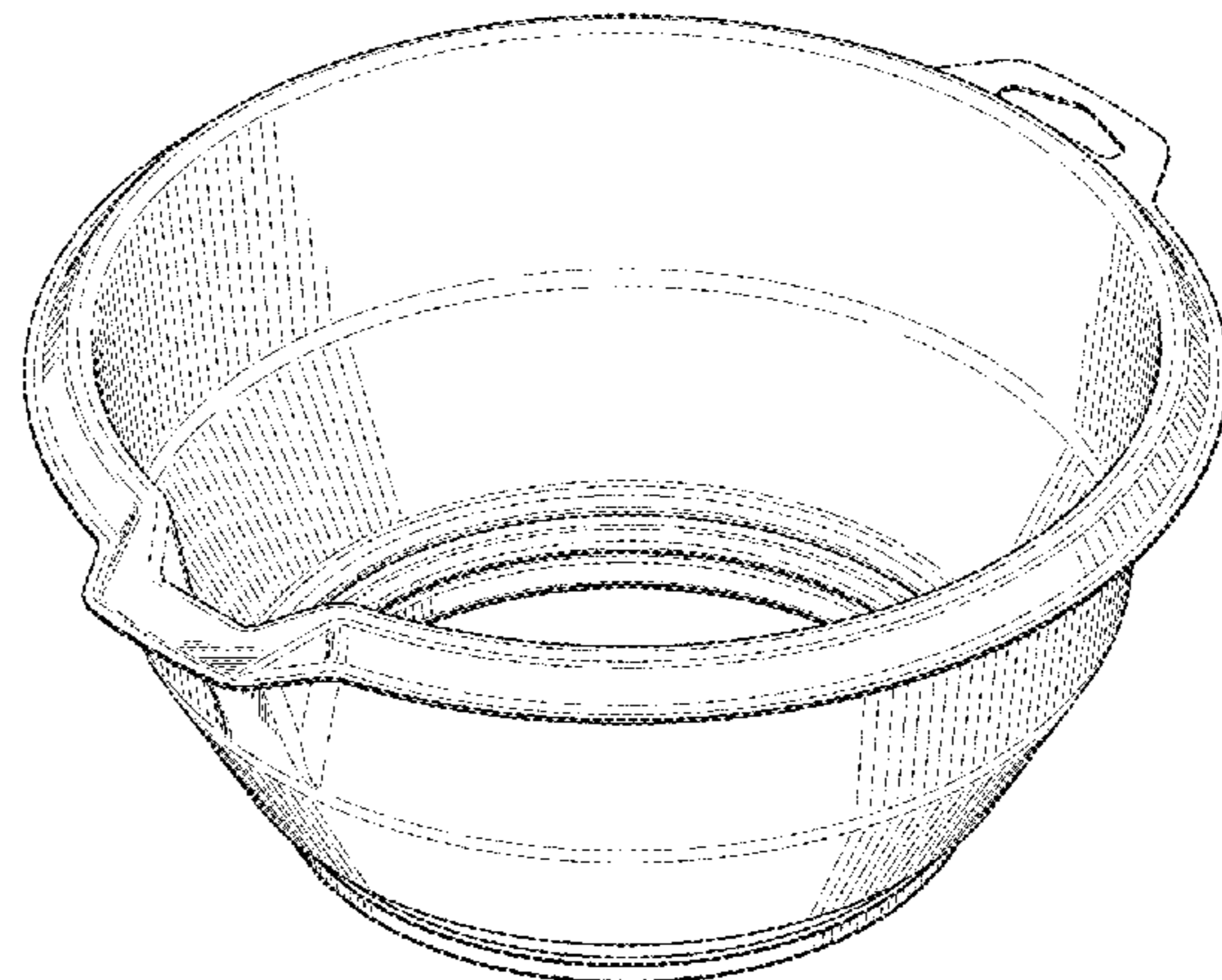
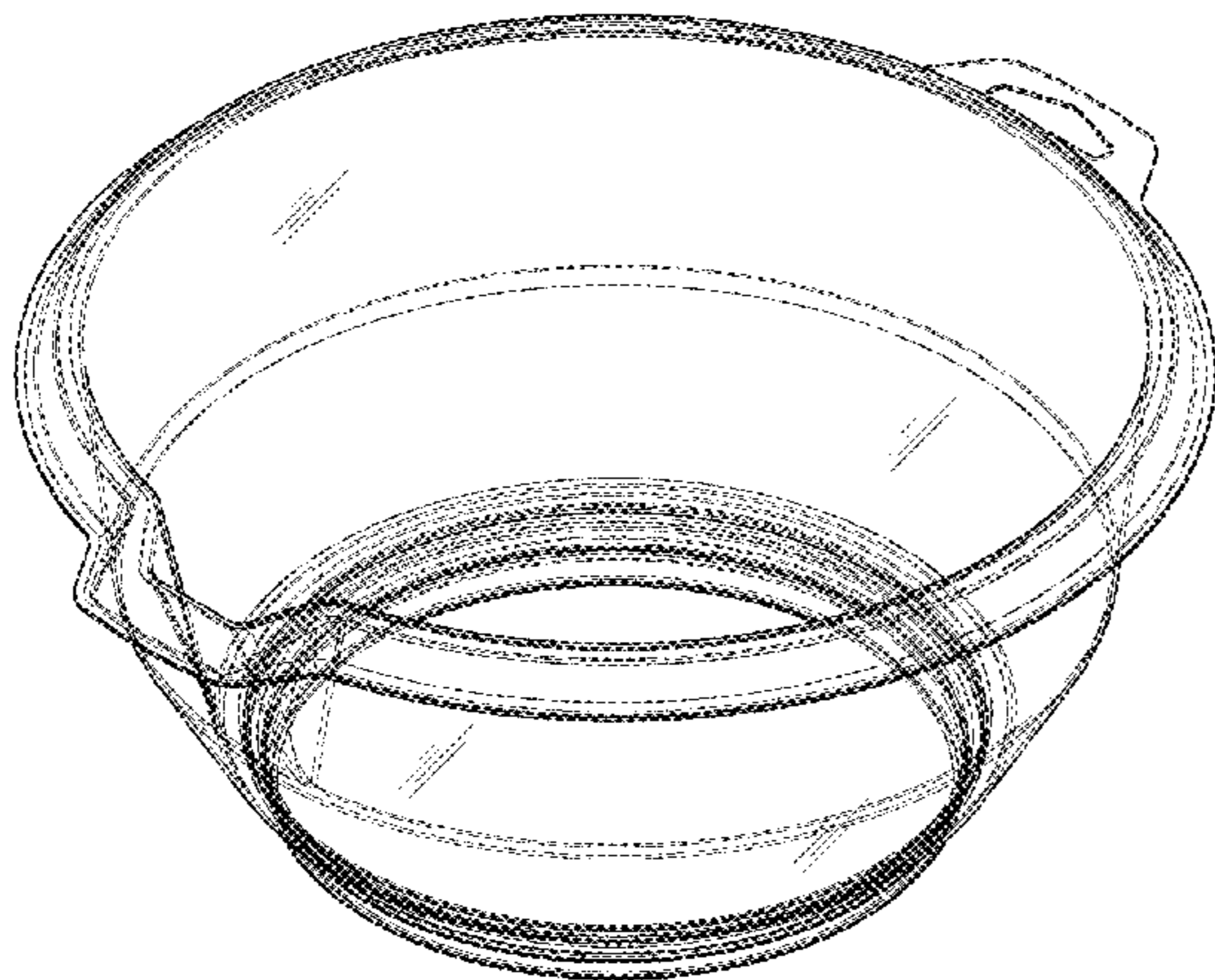
FIG. 14 is a left side view thereof;

FIG. 15 is a top view thereof; and,

FIG. 16 is a bottom view thereof.

The portions shown in dashed lines form no part of the claimed design.

**1 Claim, 10 Drawing Sheets**



# US D710,199 S

Page 2

---

(56)

## References Cited

### U.S. PATENT DOCUMENTS

D595,913 S *	7/2009	Traxler .....	D32/54
D597,838 S *	8/2009	Stuart .....	D9/454
8,087,554 B2 *	1/2012	Gringer et al. ....	222/570
D489,261 S *	5/2004	Doelling .....	D9/447

\* cited by examiner

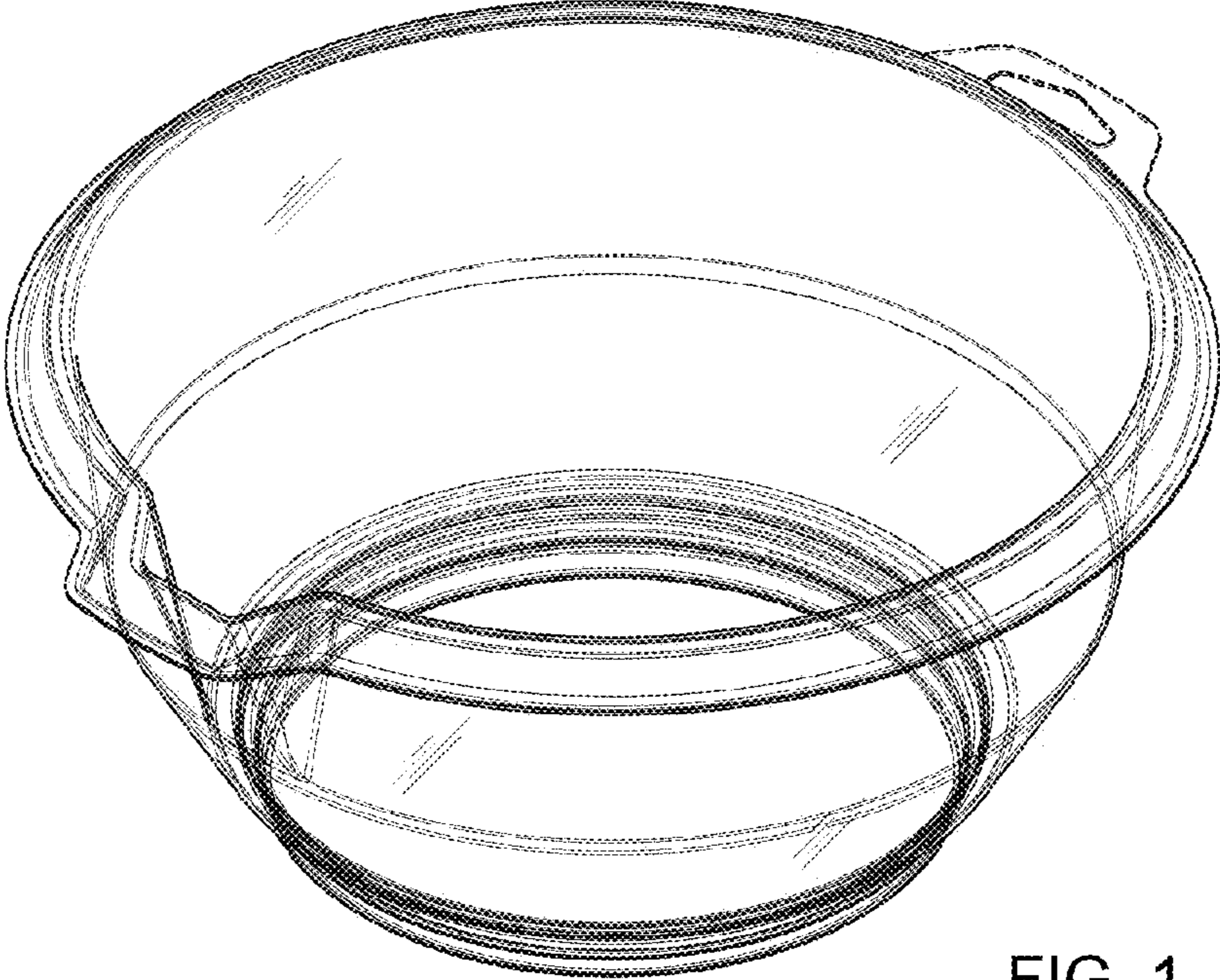


FIG. 1

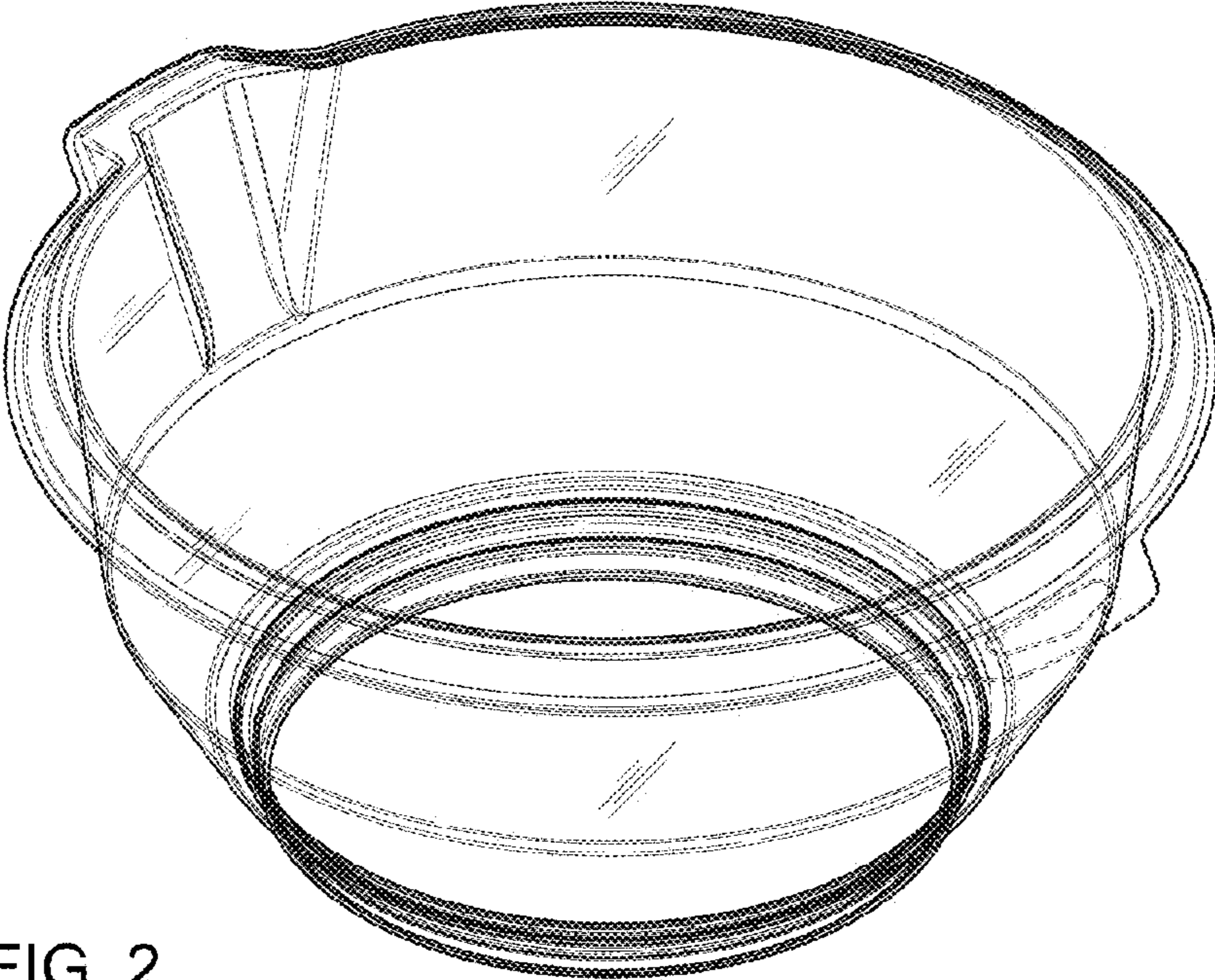


FIG. 2

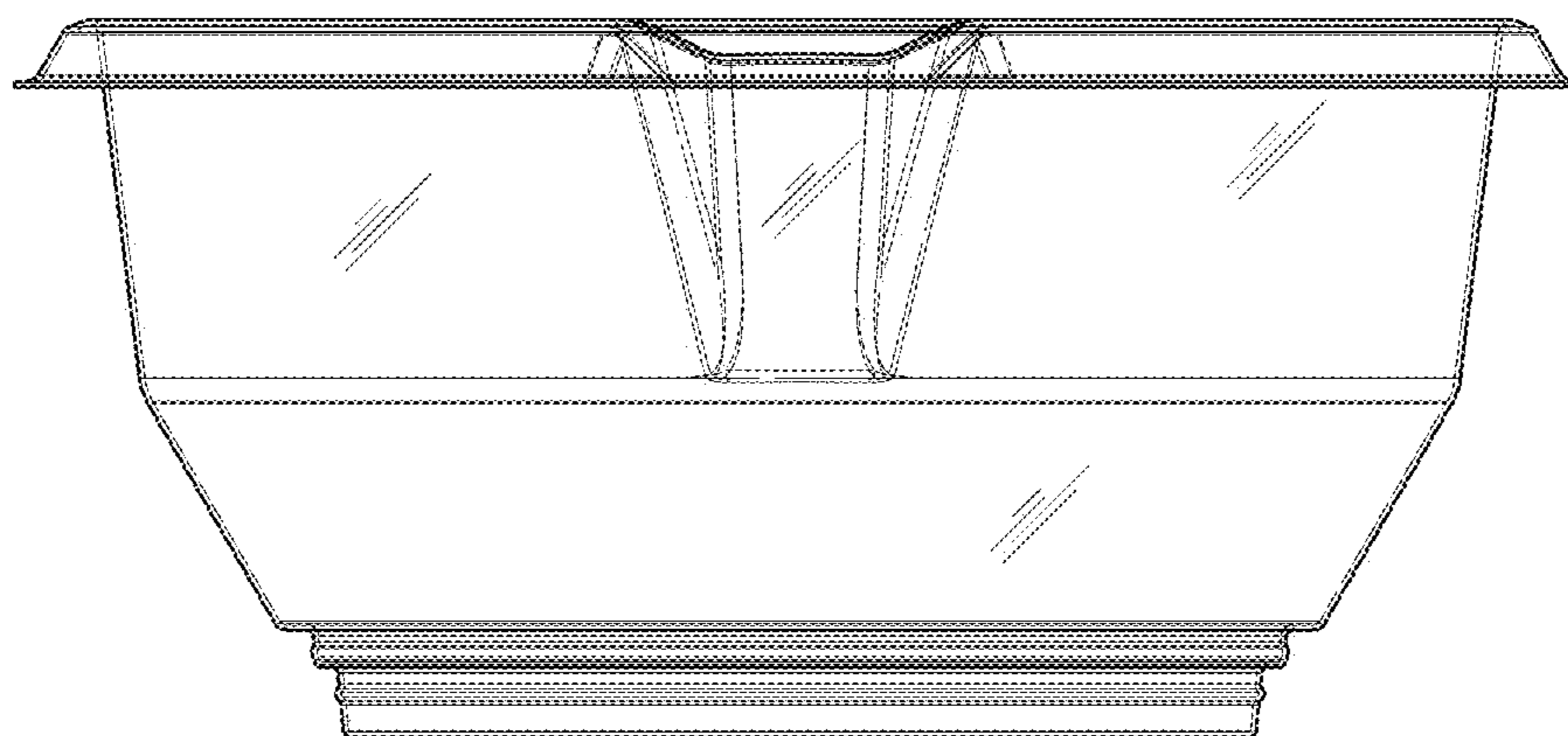


FIG. 3

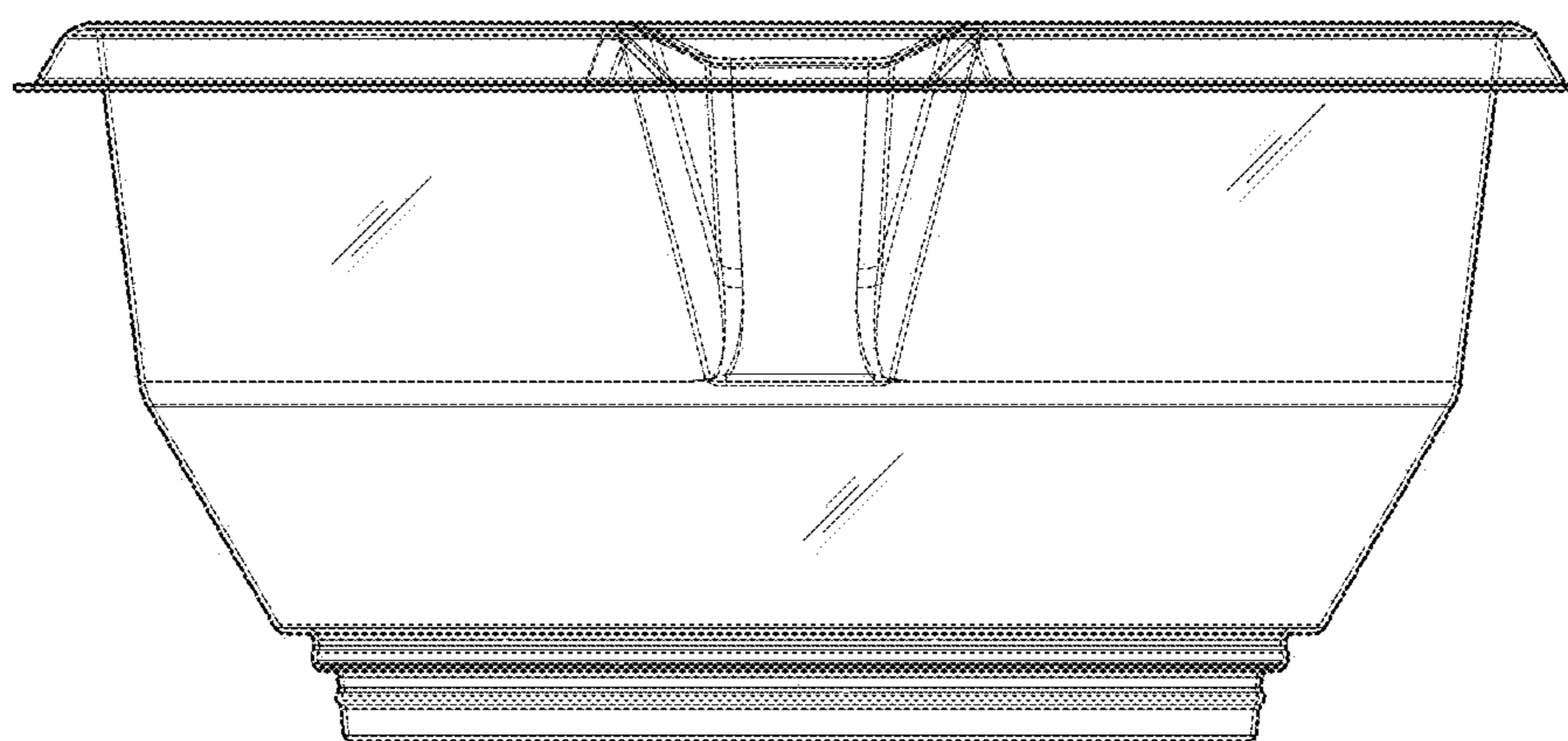


FIG. 4

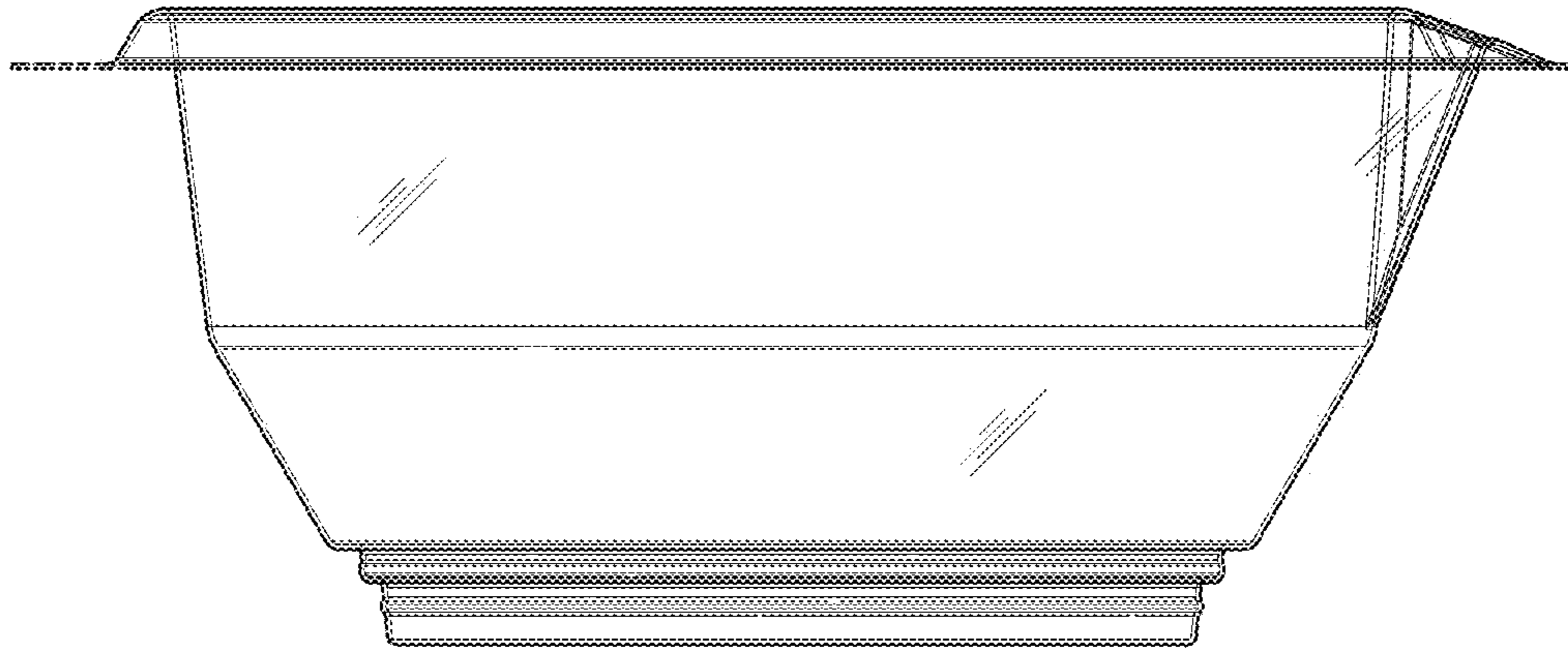


FIG. 5

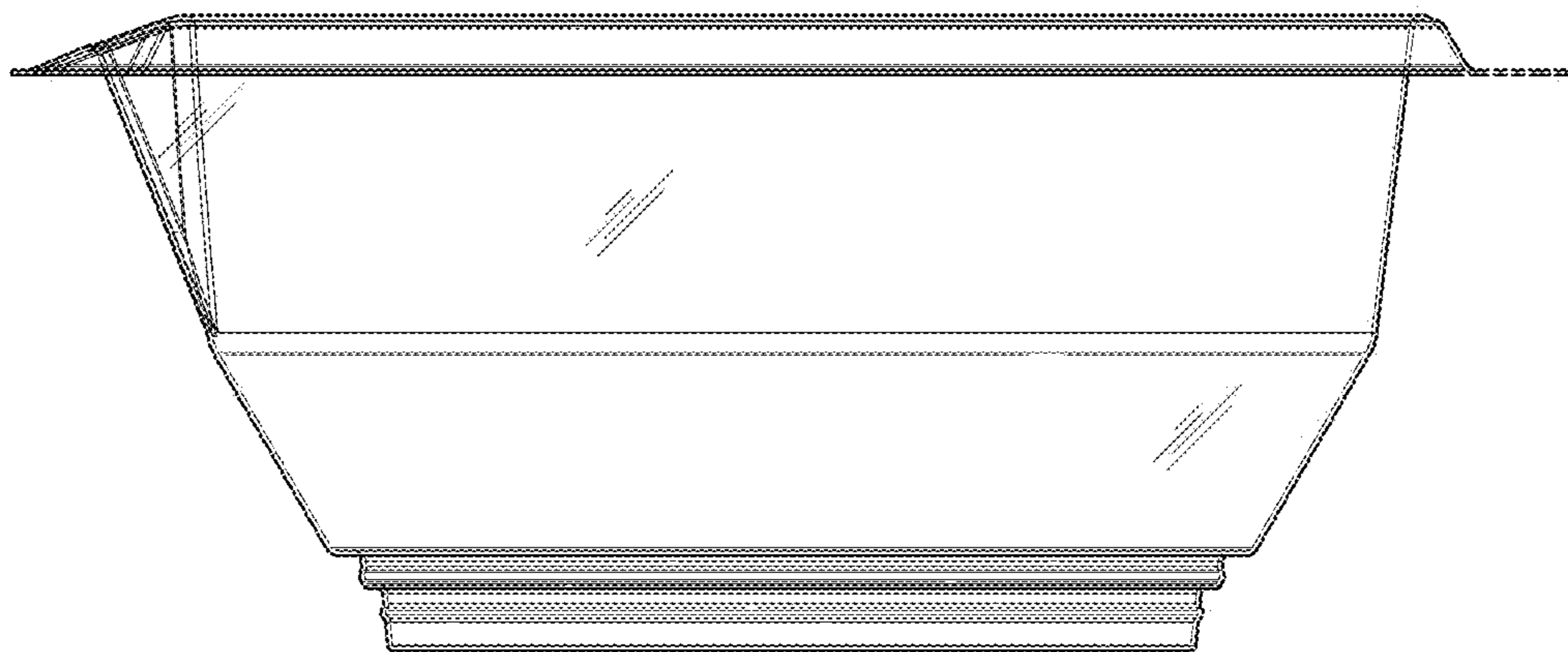


FIG. 6

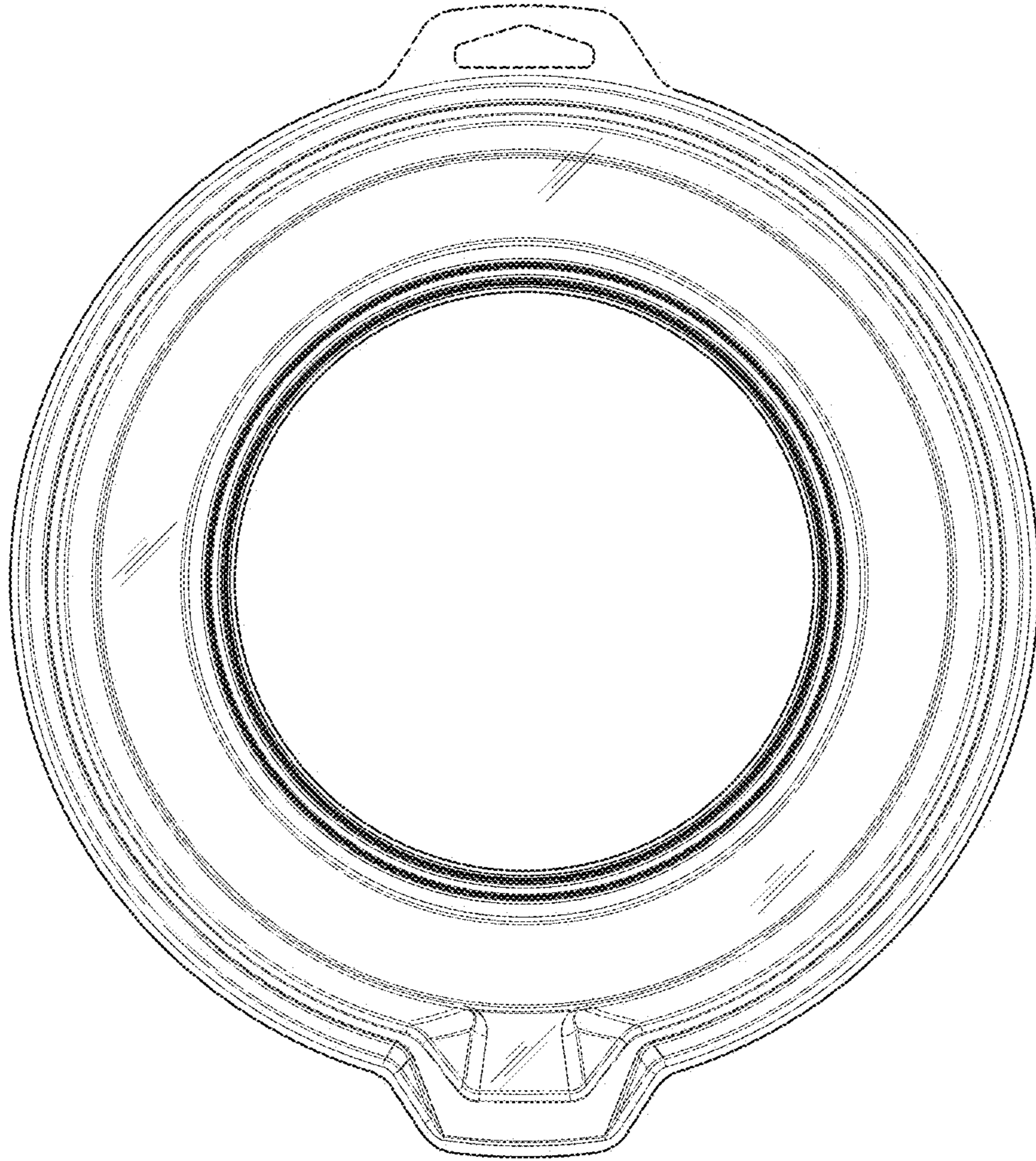


FIG. 7

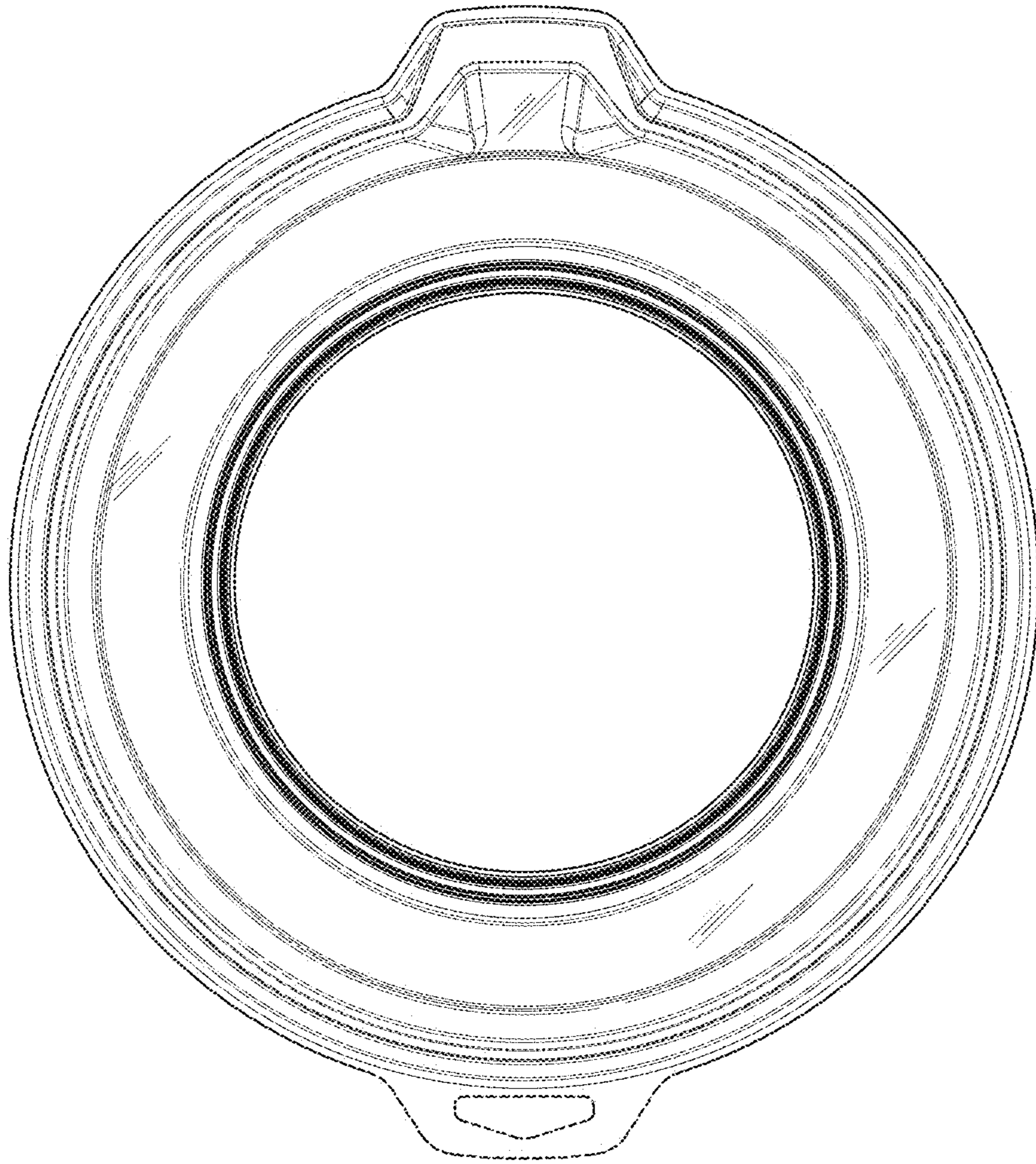


FIG. 8

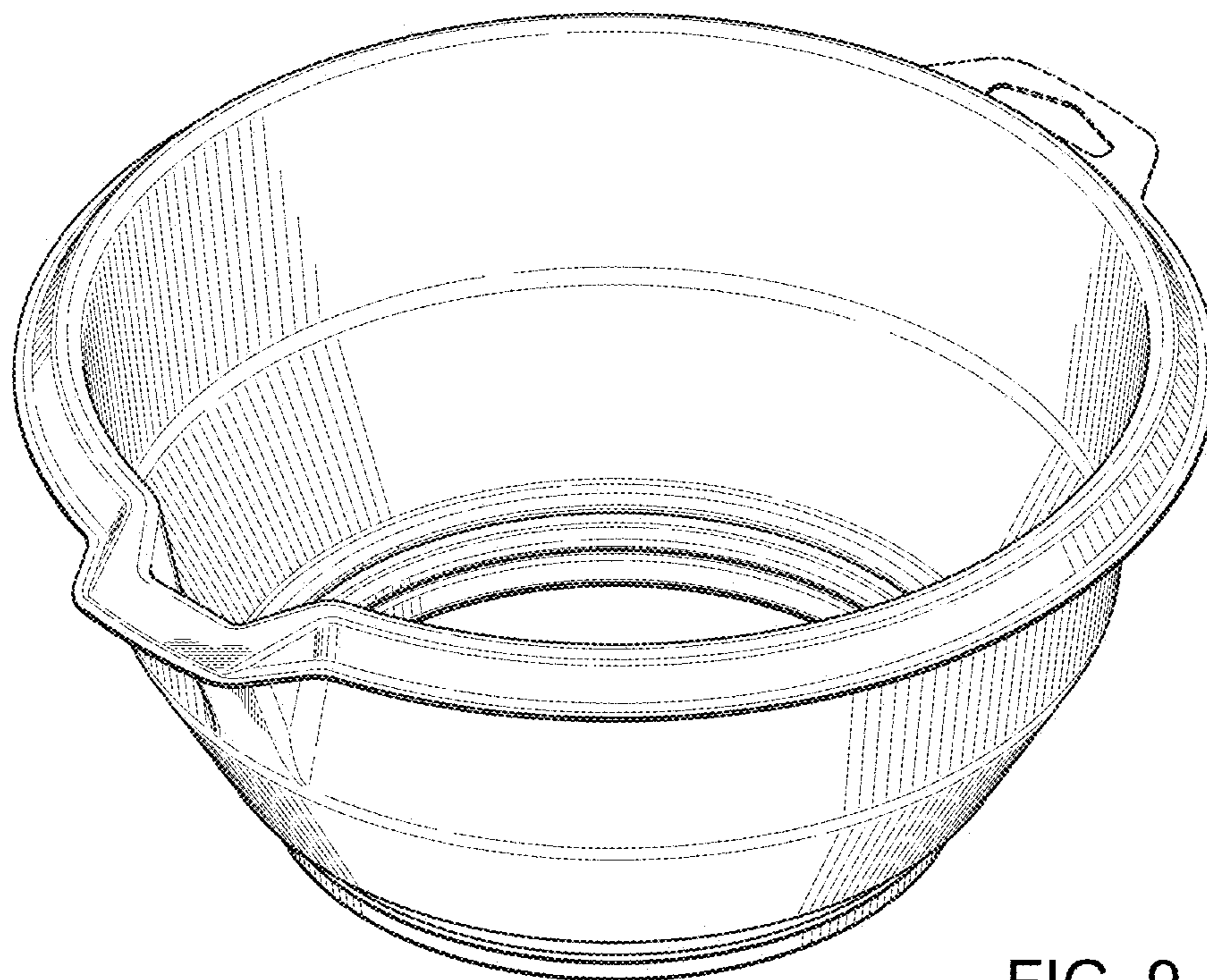


FIG. 9

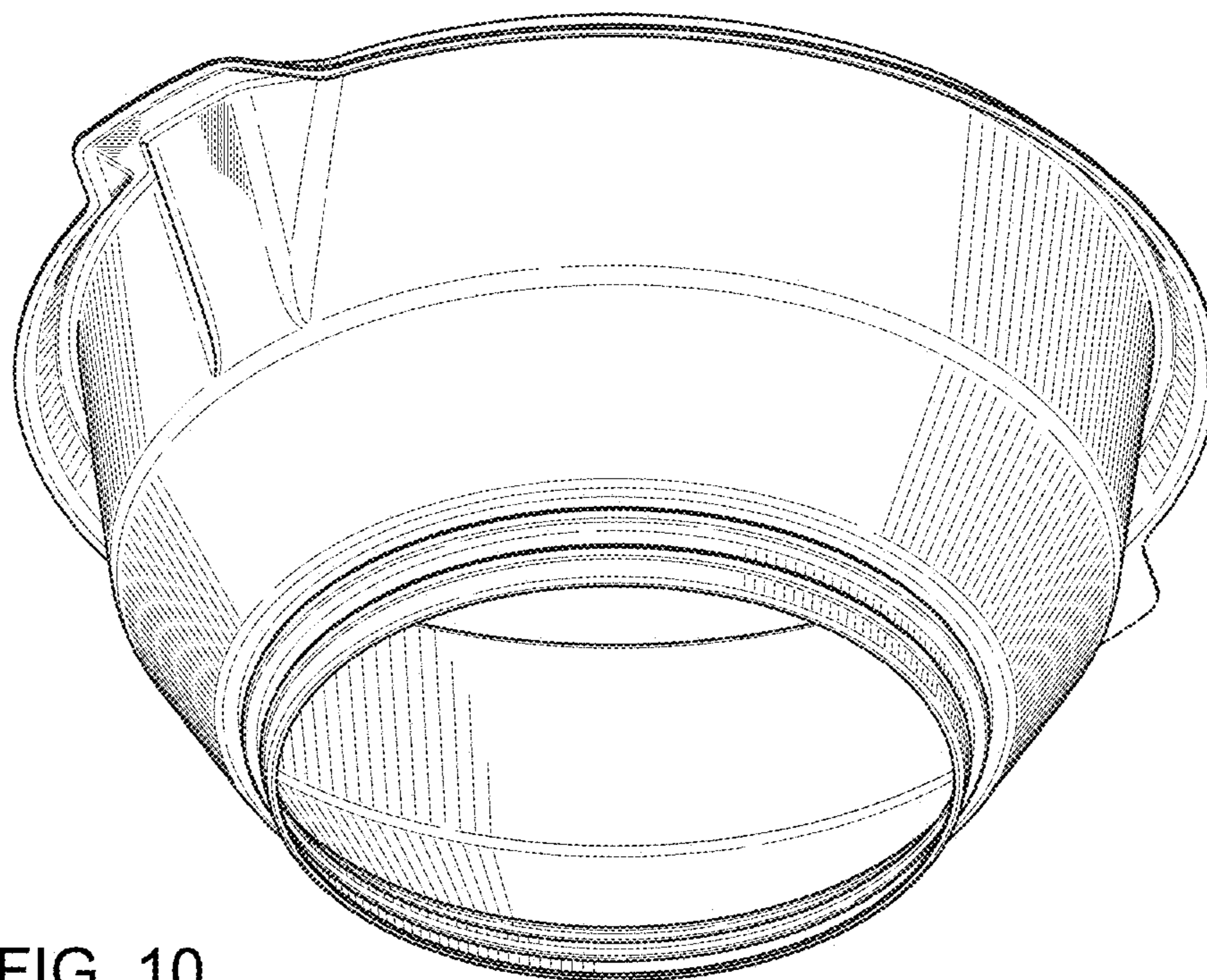


FIG. 10



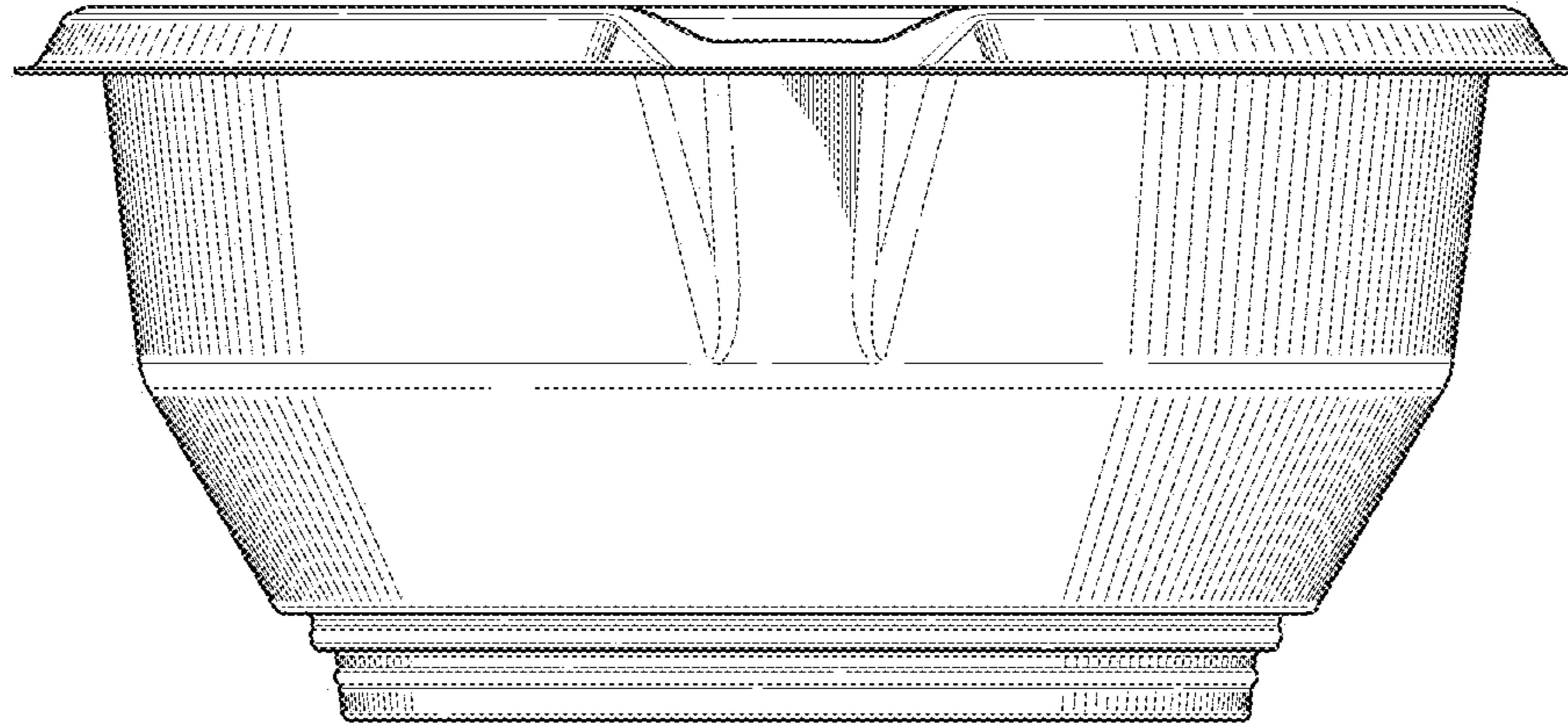


FIG. 11

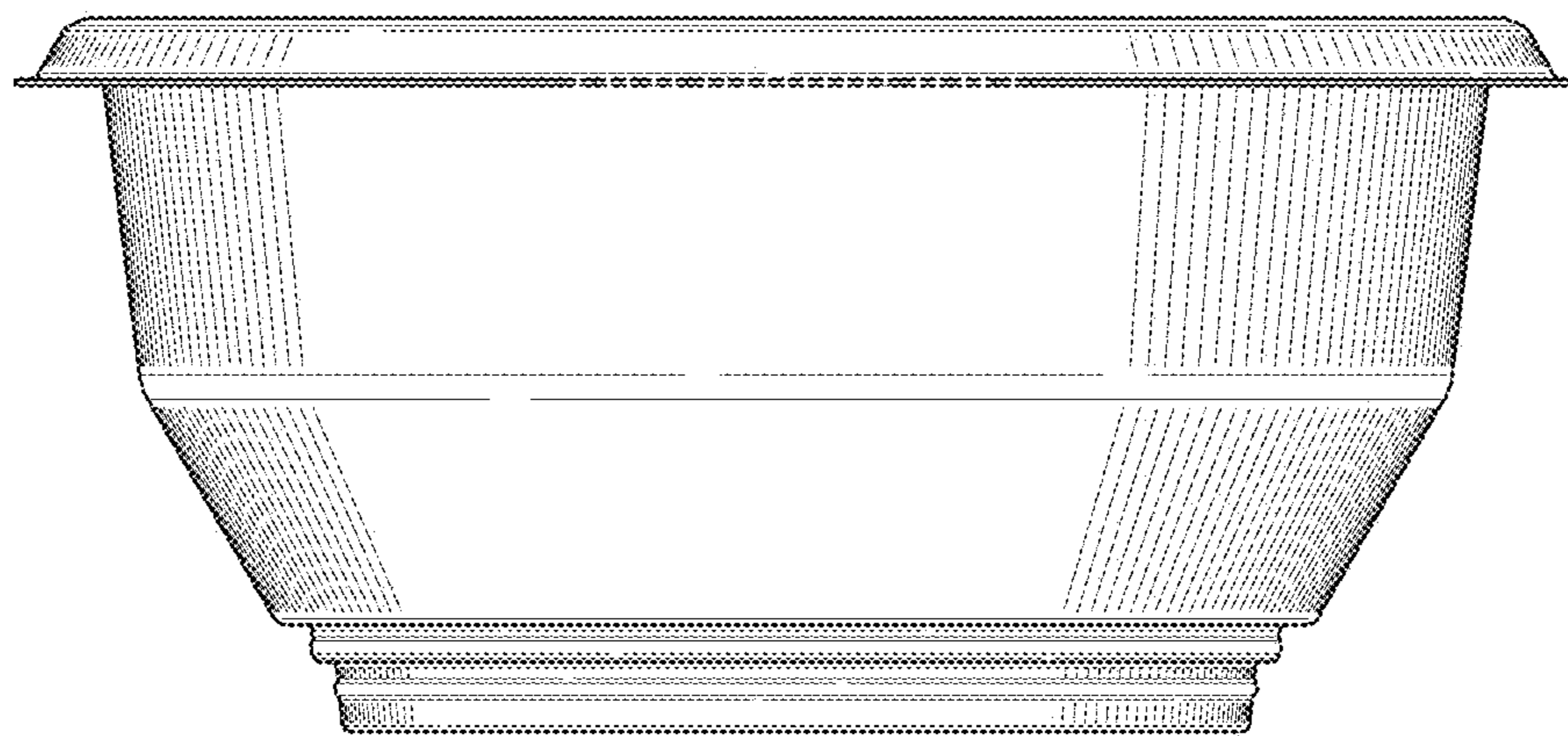


FIG. 12

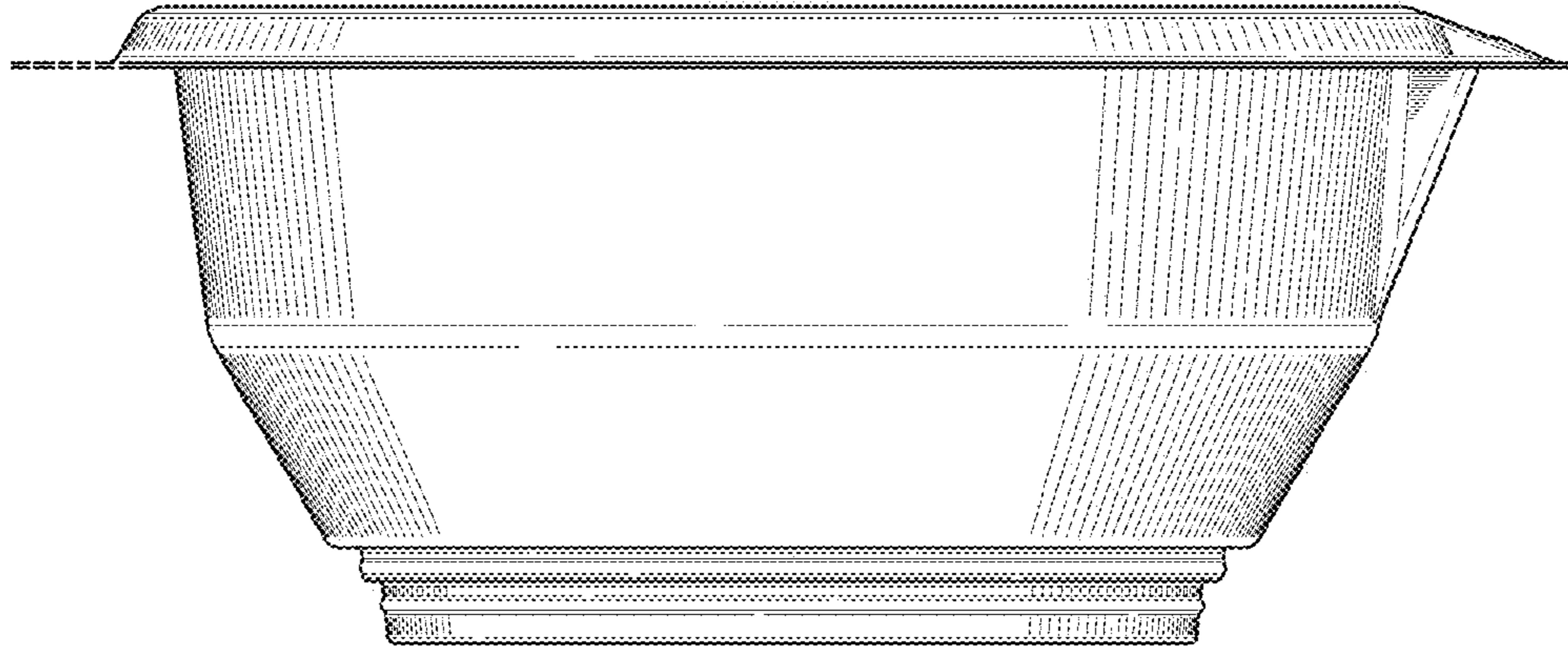


FIG. 13

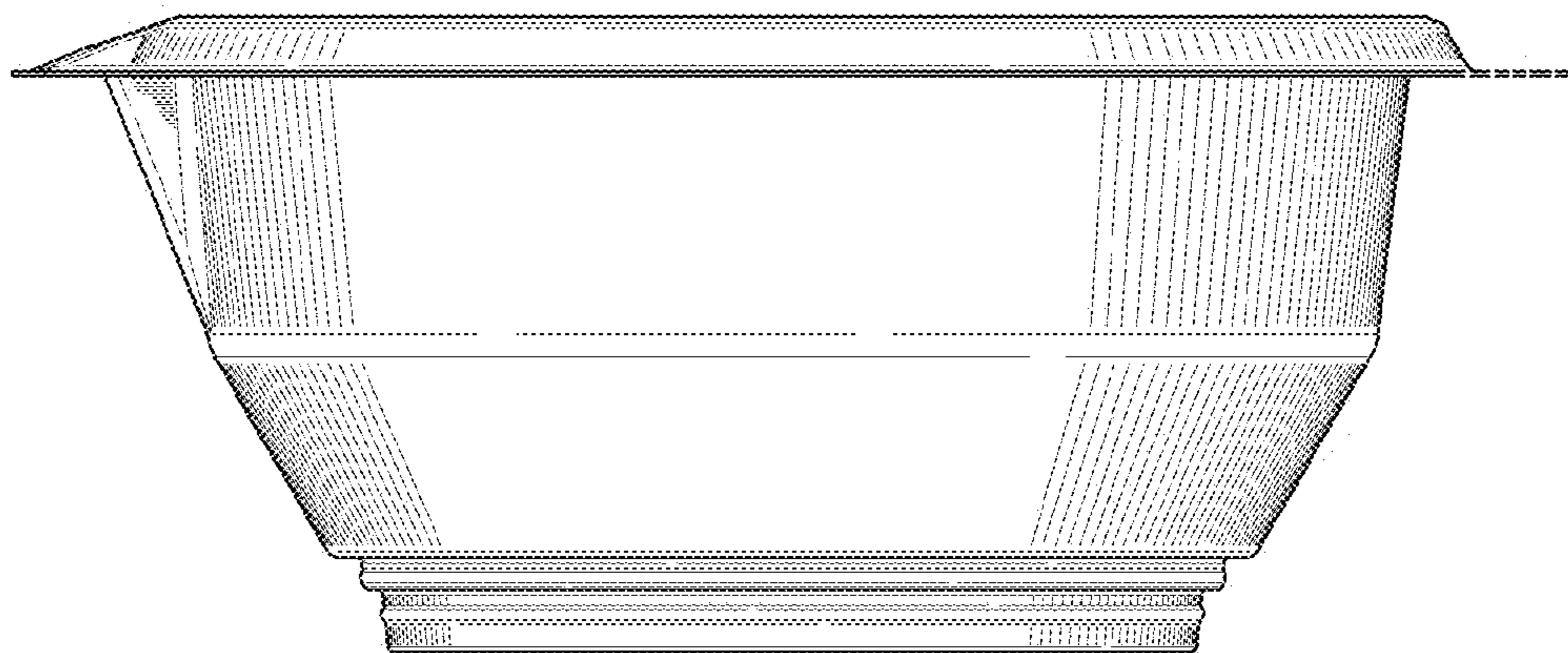


FIG. 14

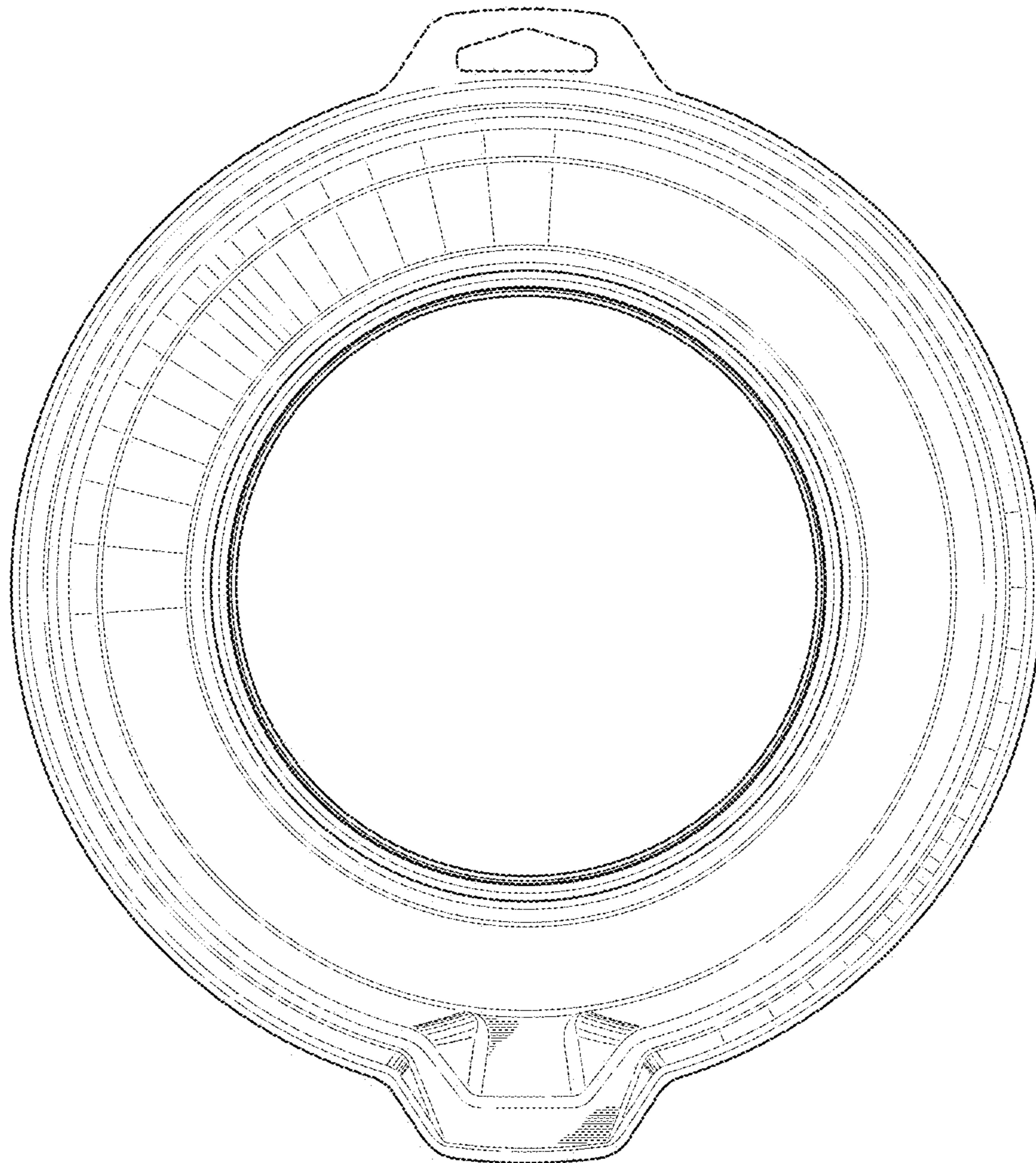


FIG. 15

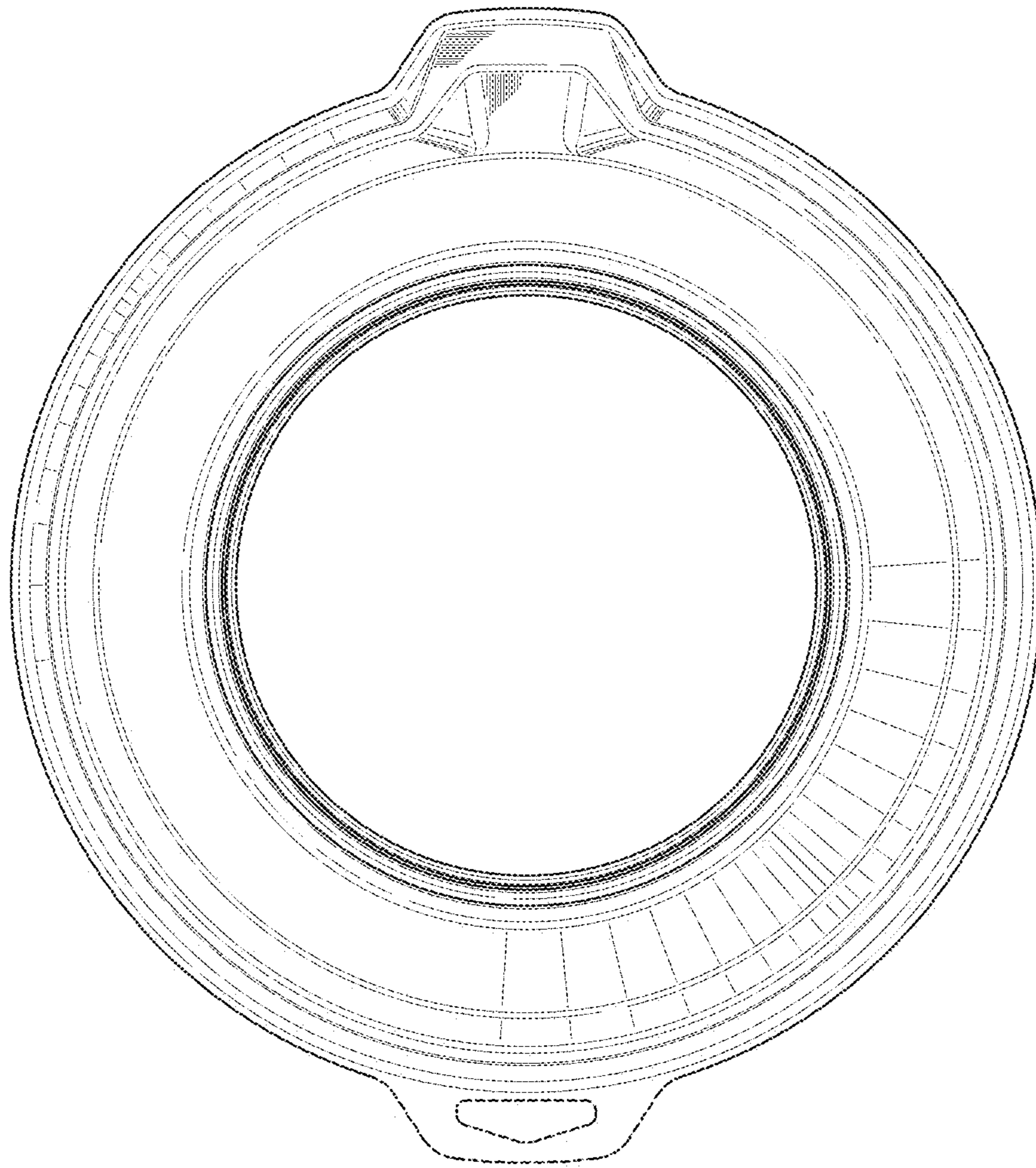


FIG. 16