



US00D710198S

(12) **United States Design Patent**  
**Blowfield et al.**

(10) **Patent No.:** **US D710,198 S**

(45) **Date of Patent:** **\*\* Aug. 5, 2014**

- (54) **CAP FOR FLUID CONTAINER**
- (71) Applicants: **Philip Blowfield**, Brigstock (GB);  
**Salhadin Omer**, Cambridge (GB); **Paul King**, Whittlesey (GB)
- (72) Inventors: **Philip Blowfield**, Brigstock (GB);  
**Salhadin Omer**, Cambridge (GB); **Paul King**, Whittlesey (GB)

D432,716	S	*	10/2000	Goetschi	.....	D28/13
D447,410	S	*	9/2001	Malmberg	.....	D9/434
6,866,164	B2	*	3/2005	Branson et al.	.....	222/153.14
D574,239	S	*	8/2008	Lin	.....	D9/453
D592,055	S	*	5/2009	Goulet	.....	D9/445
D665,019	S	*	8/2012	Hatch et al.	.....	D18/56
D678,405	S	*	3/2013	Okuda et al.	.....	D18/56
2003/0029890	A1	*	2/2003	Olechowski et al.	.....	222/525
2003/0201283	A1	*	10/2003	Branson et al.	.....	222/153.14
2009/0141105	A1	*	6/2009	Sasaki	.....	347/86
2010/0089862	A1	*	4/2010	Schmitt	.....	215/249

- (73) Assignee: **Videojet Technologies Inc.**, Wood Dale, IL (US)
- (\*\*) Term: **14 Years**

\* cited by examiner

*Primary Examiner* — Robert M Spear

(74) *Attorney, Agent, or Firm* — Joseph A. Yosick

- (21) Appl. No.: **29/439,318**
- (22) Filed: **Dec. 10, 2012**
- (51) **LOC (10) Cl.** ..... **09-07**
- (52) **U.S. Cl.**  
USPC ..... **D9/447; D9/445**
- (58) **Field of Classification Search**  
CPC ..... B41J 25/34  
USPC ..... D9/434, 435, 439, 440, 443, 446, 447,  
D9/449, 453, 454, 417; D7/396.2, 392.1;  
215/235, 236, 307, 311;  
220/254.2–254.5, 259.3, 26, 715, 837;  
222/212, 484, 556; 285/332.2;  
604/246; D24/121; D18/56; 347/86  
See application file for complete search history.

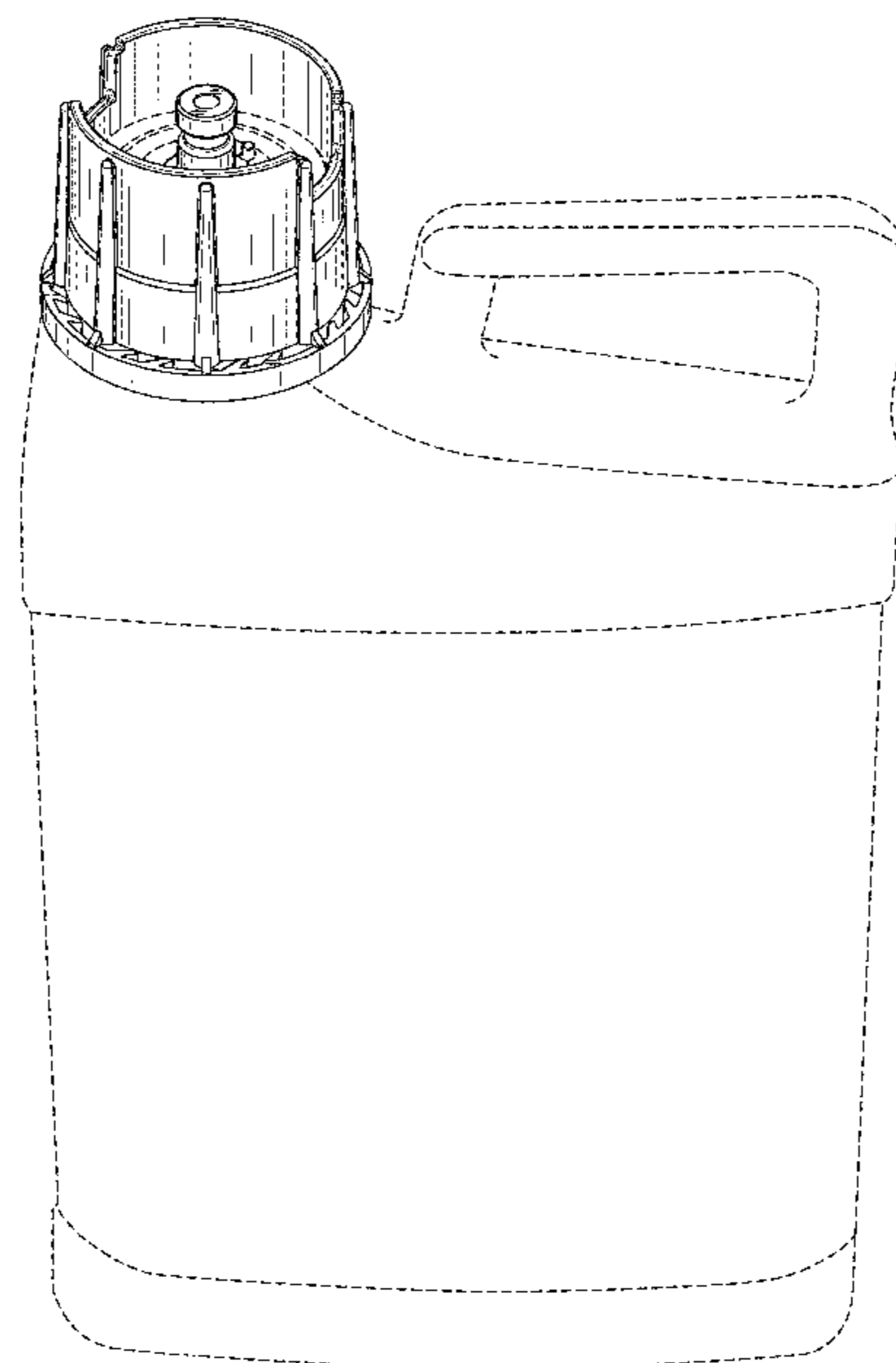
(57) **CLAIM**  
The ornamental design for a “cap for fluid container,” as shown and described.

**DESCRIPTION**

FIG. 1 illustrates an isometric view of a cap for a fluid container of the present invention.  
 FIG. 2 illustrates a first side elevation view of the cap of the present invention.  
 FIG. 3 illustrates a second side elevation view of the cap of the present invention.  
 FIG. 4 illustrates a front plan view of the cap of the present invention.  
 FIG. 5 illustrates a rear plan view of the cap of the present invention.  
 FIG. 6 illustrates a top plan view of the cap of the present invention; and,  
 FIG. 7 illustrates a bottom plan view of the cap of the present invention.  
 The broken lines in the drawings represent environmental subject matter and form no part of the claimed design.

- (56) **References Cited**  
U.S. PATENT DOCUMENTS  
D222,031 S \* 9/1971 Buhram et al. .... D8/358  
D259,704 S \* 6/1981 Castronovo ..... D9/447  
D263,805 S \* 4/1982 Seager ..... D9/450  
D399,048 S \* 10/1998 Sayre ..... D3/202  
6,003,711 A \* 12/1999 Bilewitz ..... 220/253

**1 Claim, 4 Drawing Sheets**



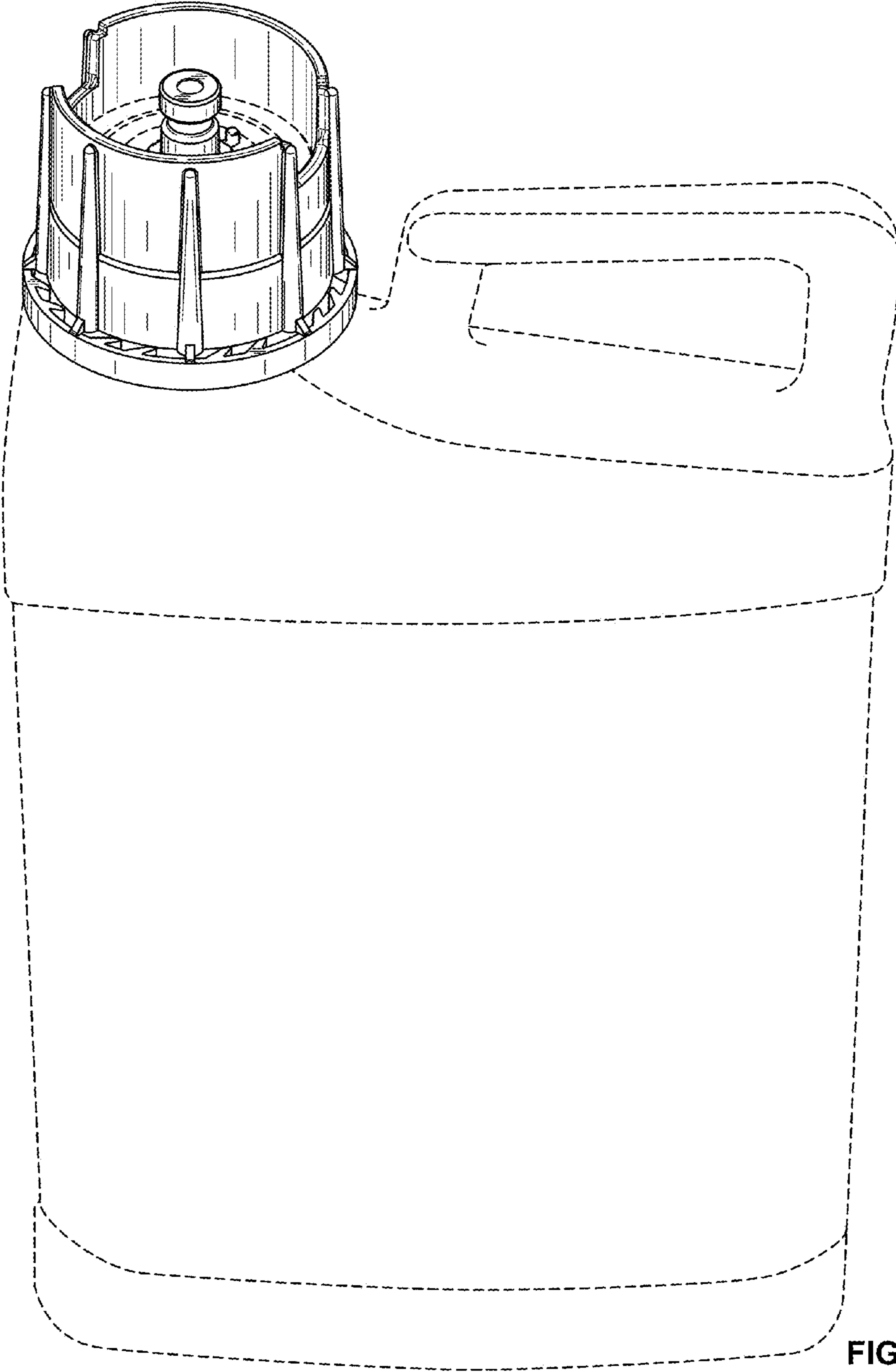


FIG. 1

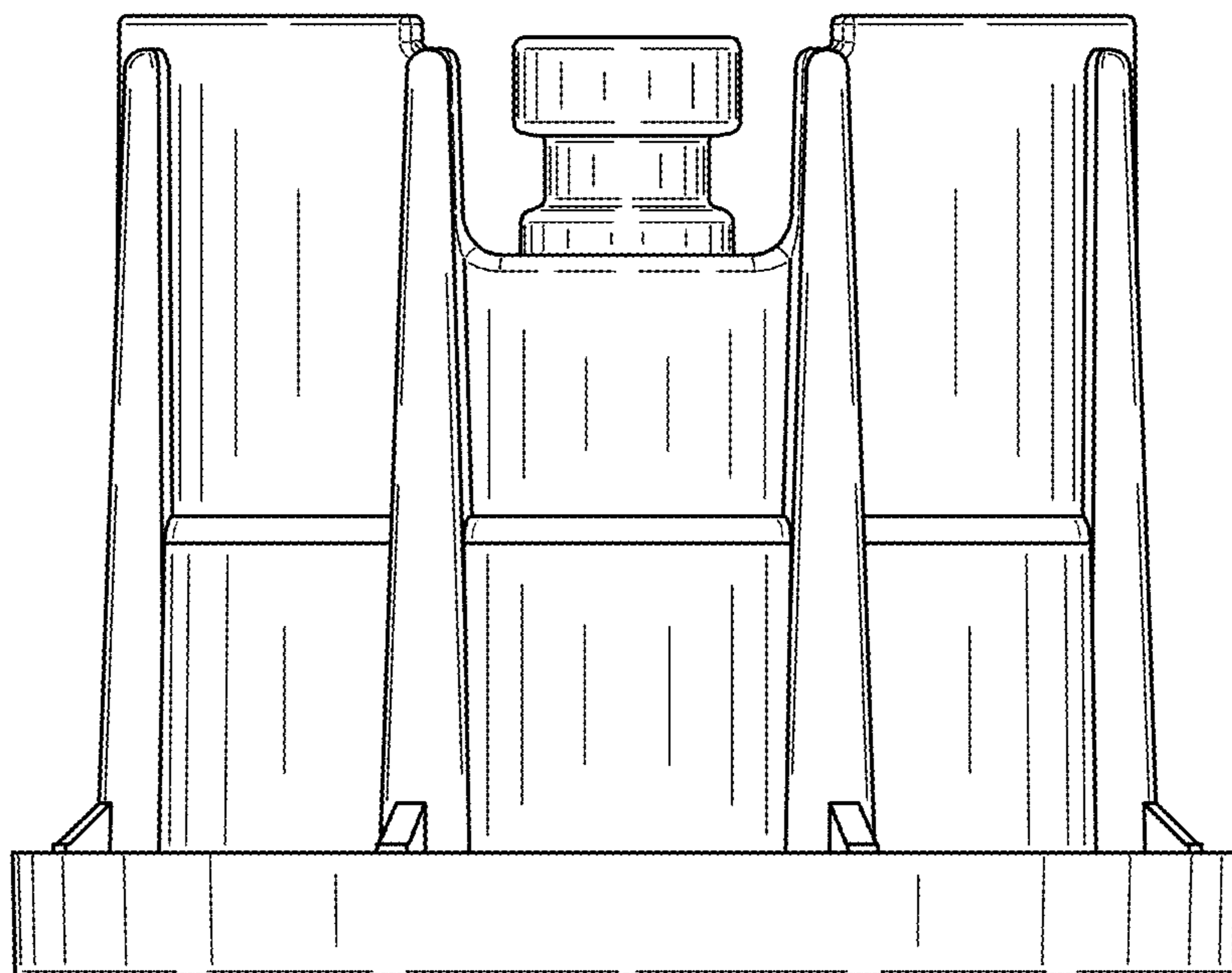


FIG. 2

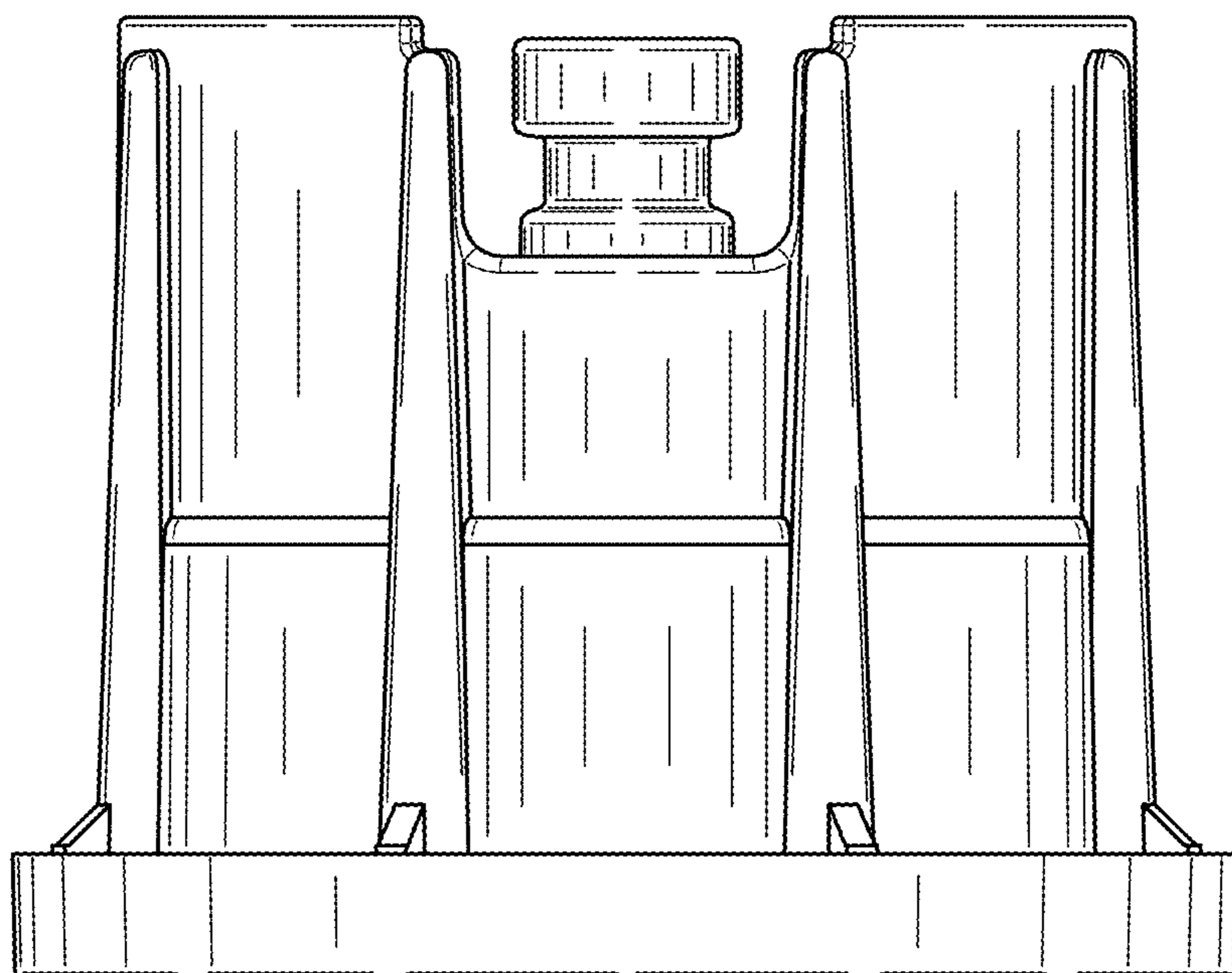


FIG. 3

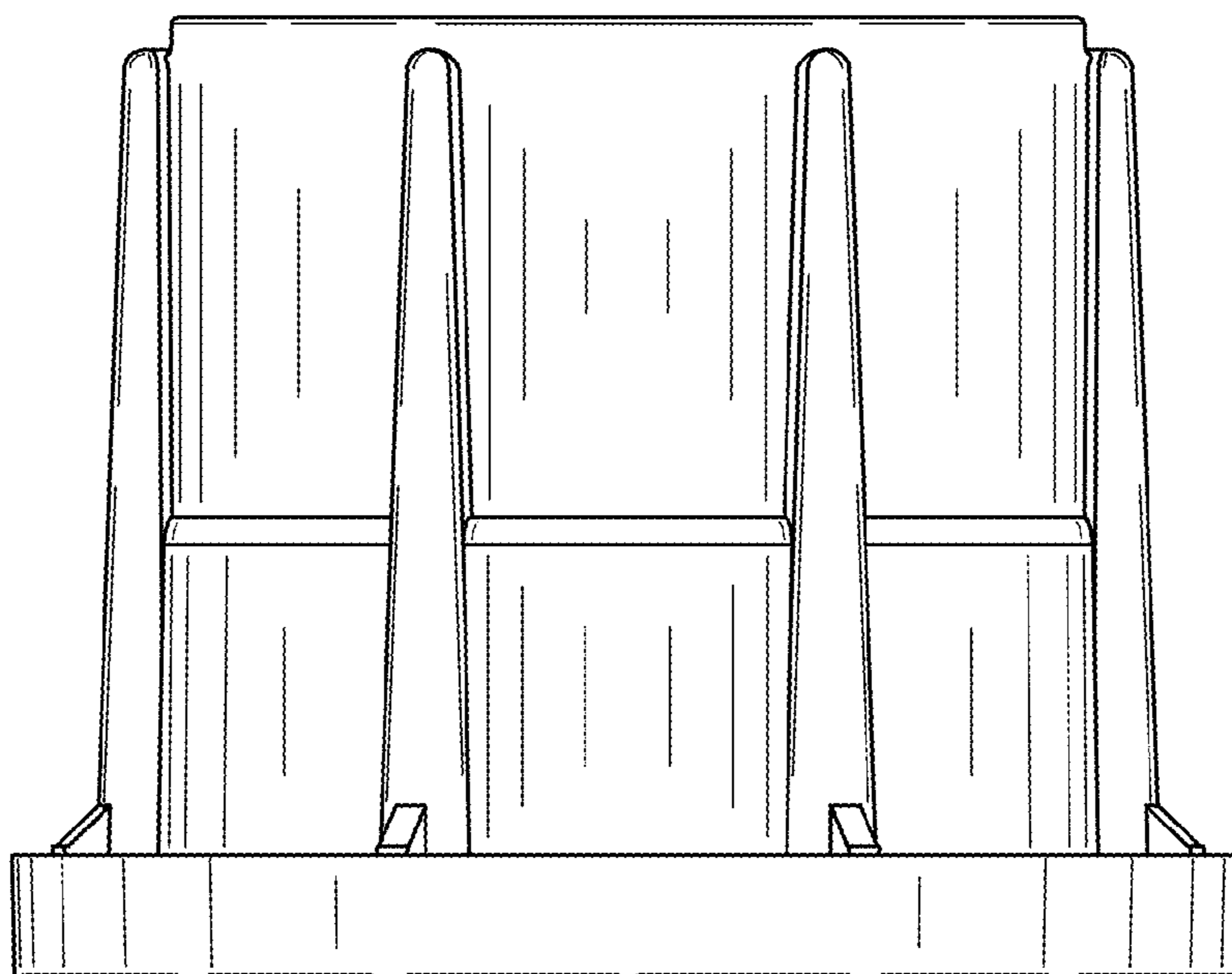


FIG. 4

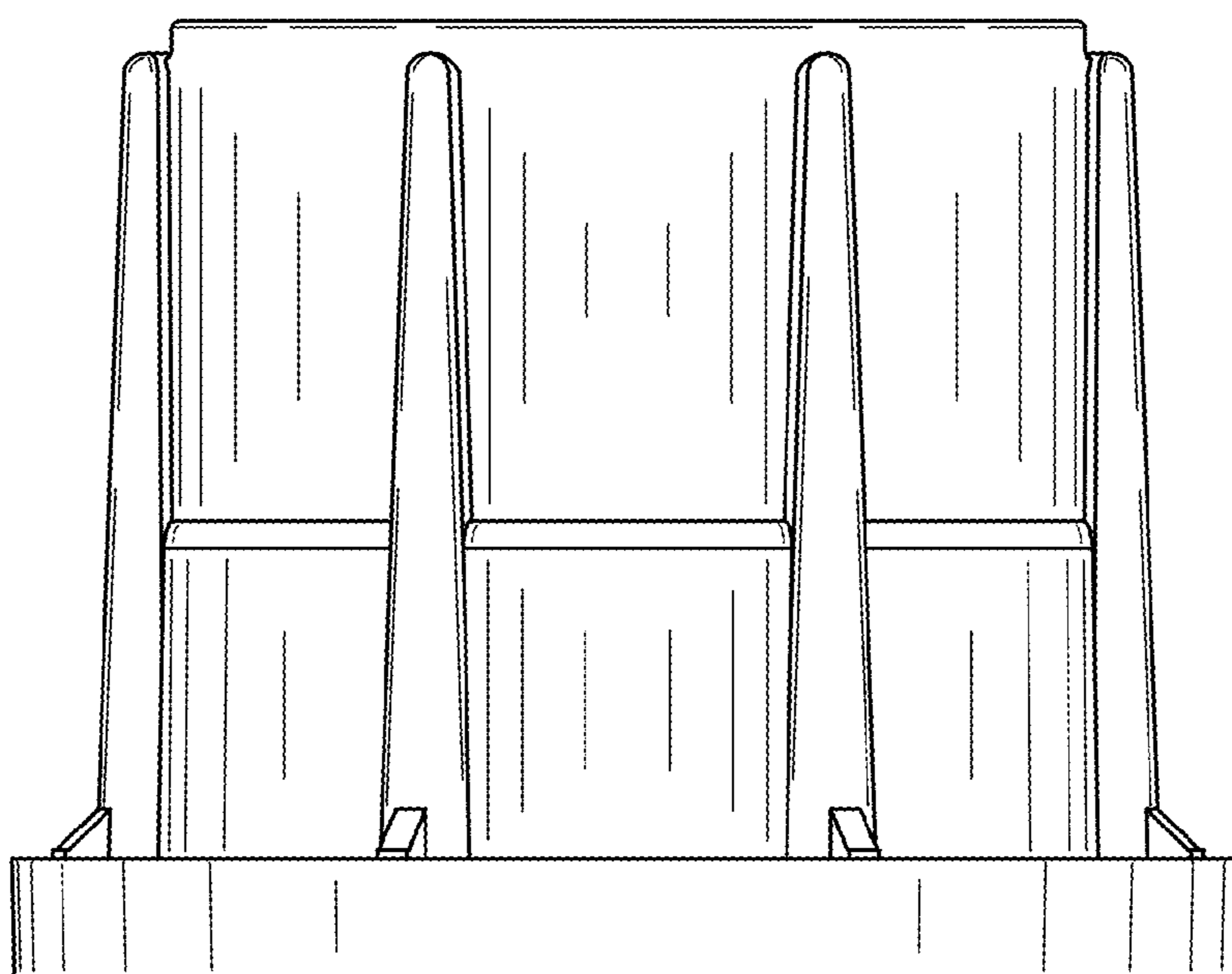


FIG. 5

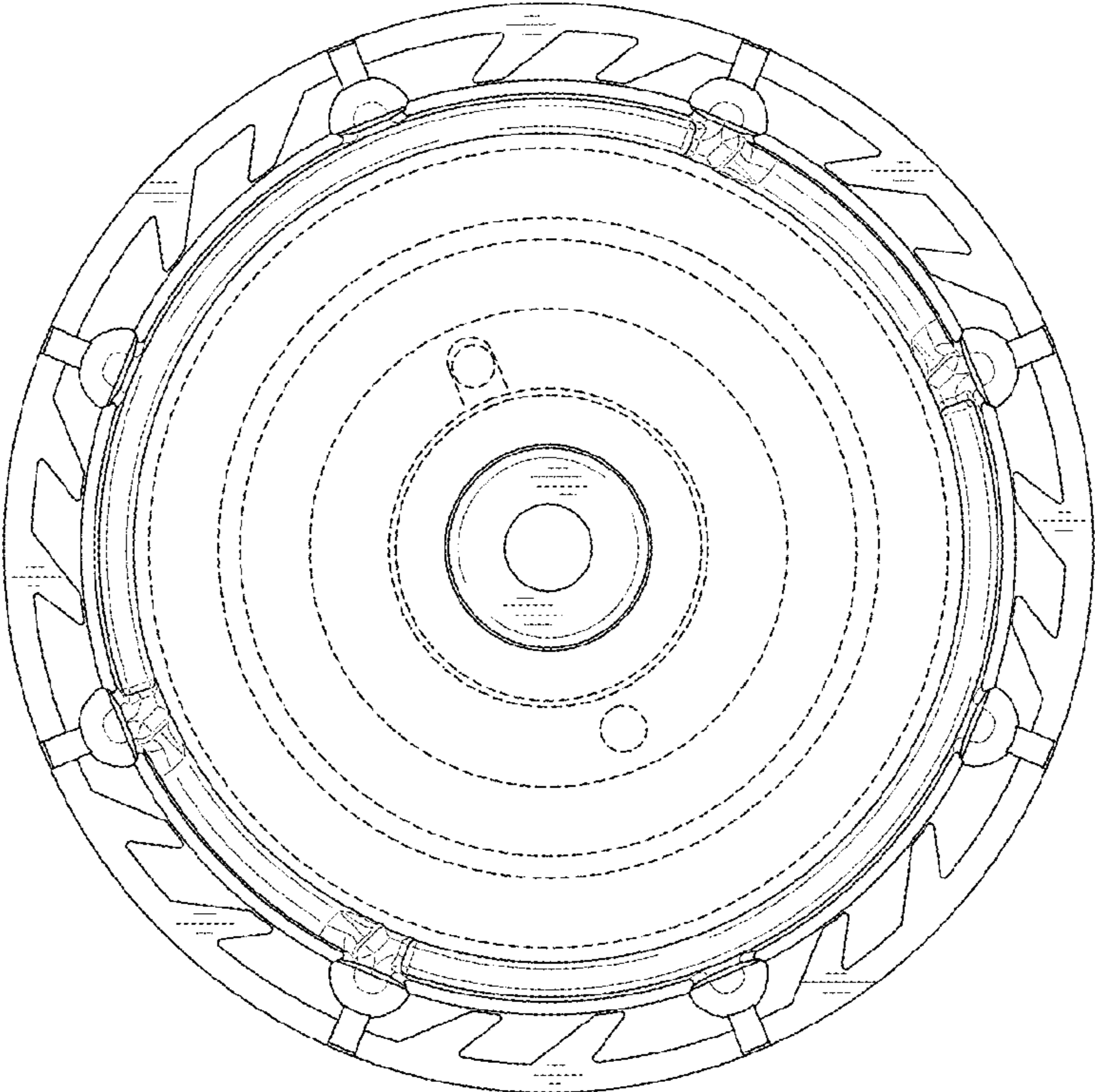


FIG. 6

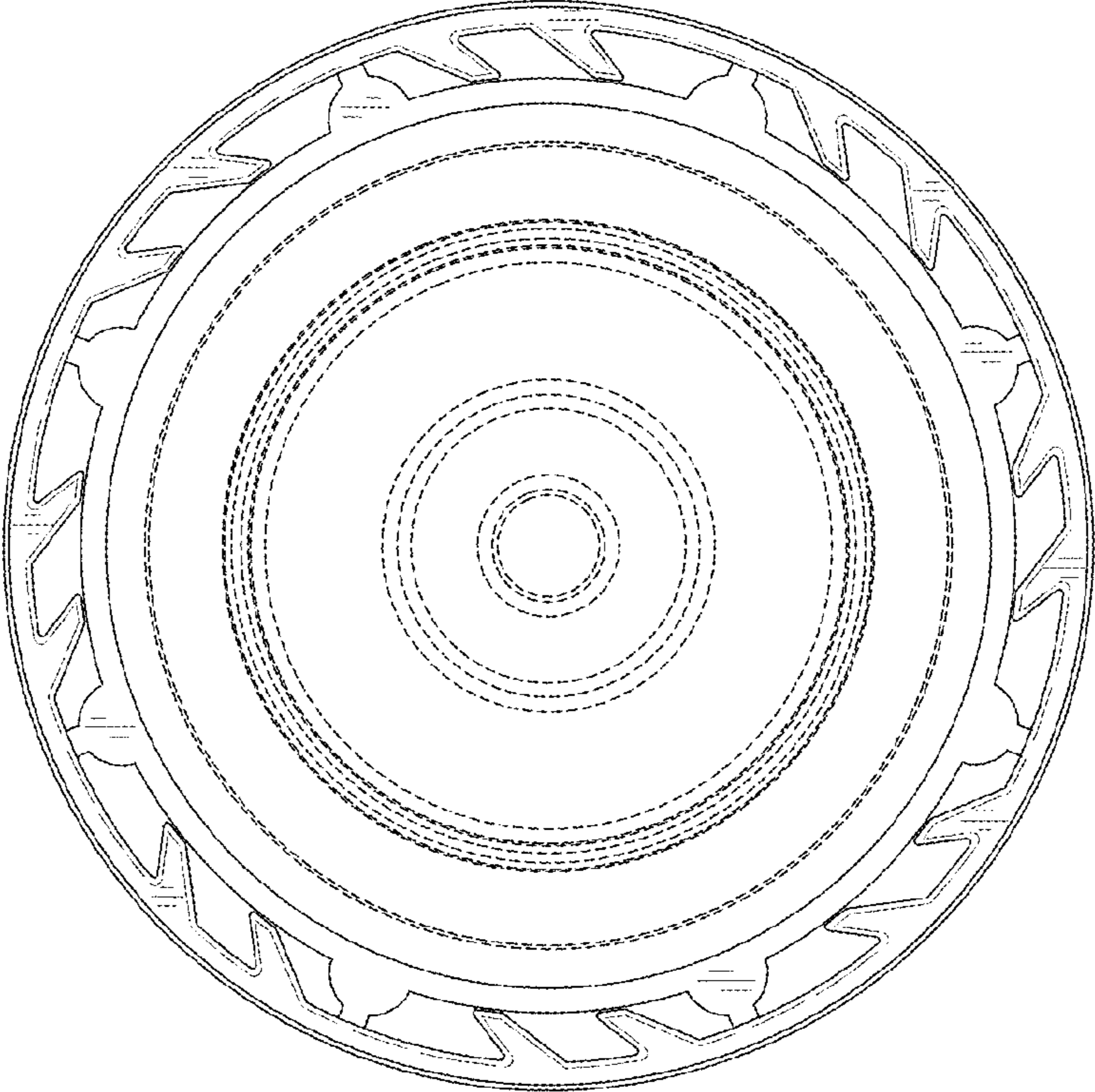


FIG. 7