



US00D710197S

(12) **United States Design Patent**
Yamada

(10) **Patent No.:** **US D710,197 S**

(45) **Date of Patent:** **** Aug. 5, 2014**

(54) **OUTLET PORT DEVICE OF CONTAINER**

FOREIGN PATENT DOCUMENTS

(76) Inventor: **Kikuo Yamada**, Shinagawa (JP)

JP 10077076 * 3/1998 B65D 83/08

(**) Term: **14 Years**

* cited by examiner

(21) Appl. No.: **29/412,967**

Primary Examiner — Robert M Spear

(22) Filed: **Feb. 9, 2012**

(74) *Attorney, Agent, or Firm* — Oliff PLC

(30) **Foreign Application Priority Data**

(57) **CLAIM**

Aug. 17, 2011 (JP) 2011-018676

The ornamental design for an outlet port device of a container, as shown and described.

(51) **LOC (10) Cl.** **09-07**

DESCRIPTION

(52) **U.S. Cl.**

USPC **D9/447**; D9/499

(58) **Field of Classification Search**

CPC B65D 85/16

USPC D9/434, 435, 436, 440, 447, 499, 734;
D6/515, 518; D3/294, 302; 220/4.23,
220/265, 268, 409, 482, 494, 776, 778,
220/784; 383/42; 206/233, 494

See application file for complete search history.

FIG. 1 is a front view of an outlet port device of a container showing my new design, which is identical to the rear view; FIG. 2 is a right side view thereof, which is identical to the left side view,

FIG. 3 is a top plane view thereof,

FIG. 4 is a bottom view thereof;

FIG. 5 is a perspective view showing the top portion thereof, FIG. 6 is a perspective view showing the bottom portion thereof,

FIG. 7 is a sectional view taken along lines 7-7 in FIG. 1

FIG. 8 is a partially enlarged view showing the portion surrounded by lines 8-8 and 8A-8A in FIG. 3,

FIG. 9 is a perspective view showing the outlet port device of the container of FIG. 1 in a state of use; and,

FIG. 10 is a perspective view showing the outlet port device of container in a state of use.

The evenly-spaced broken lines depict unclaimed environment only and form no part of the claimed design.

The dot-chain lines illustrate a boundary between claimed and unclaimed portions and form no part of the claimed design.

(56) **References Cited**

U.S. PATENT DOCUMENTS

D223,732 S *	5/1972	Misenko	D19/76
D301,979 S *	7/1989	Britz et al.	D9/418
5,060,852 A *	10/1991	Beckerman et al.	229/162.6
D326,225 S *	5/1992	Beckerman et al.	D9/418
D342,420 S *	12/1993	Ienna	D6/517
D380,113 S *	6/1997	Byrd	D6/515
D392,189 S *	3/1998	Nash et al.	D9/520
D477,217 S *	7/2003	Riedi	D9/418
D588,000 S *	3/2009	Goetz et al.	D9/434
D645,347 S *	9/2011	Liebowitz et al.	D9/435
D645,743 S *	9/2011	Liebowitz et al.	D9/435
D646,562 S *	10/2011	Liebowitz et al.	D9/418
D688,363 S *	8/2013	Dios	D23/359

1 Claim, 10 Drawing Sheets

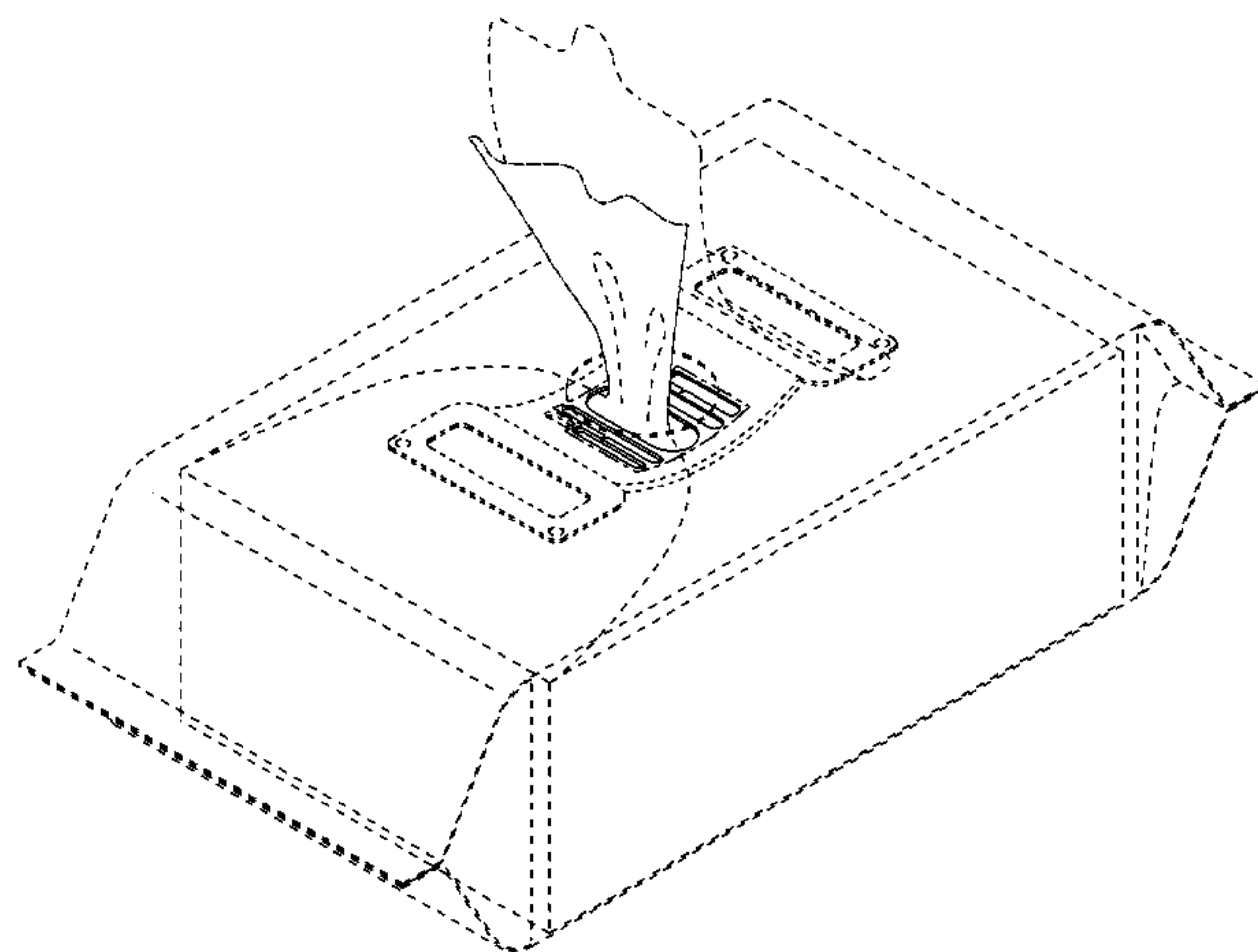
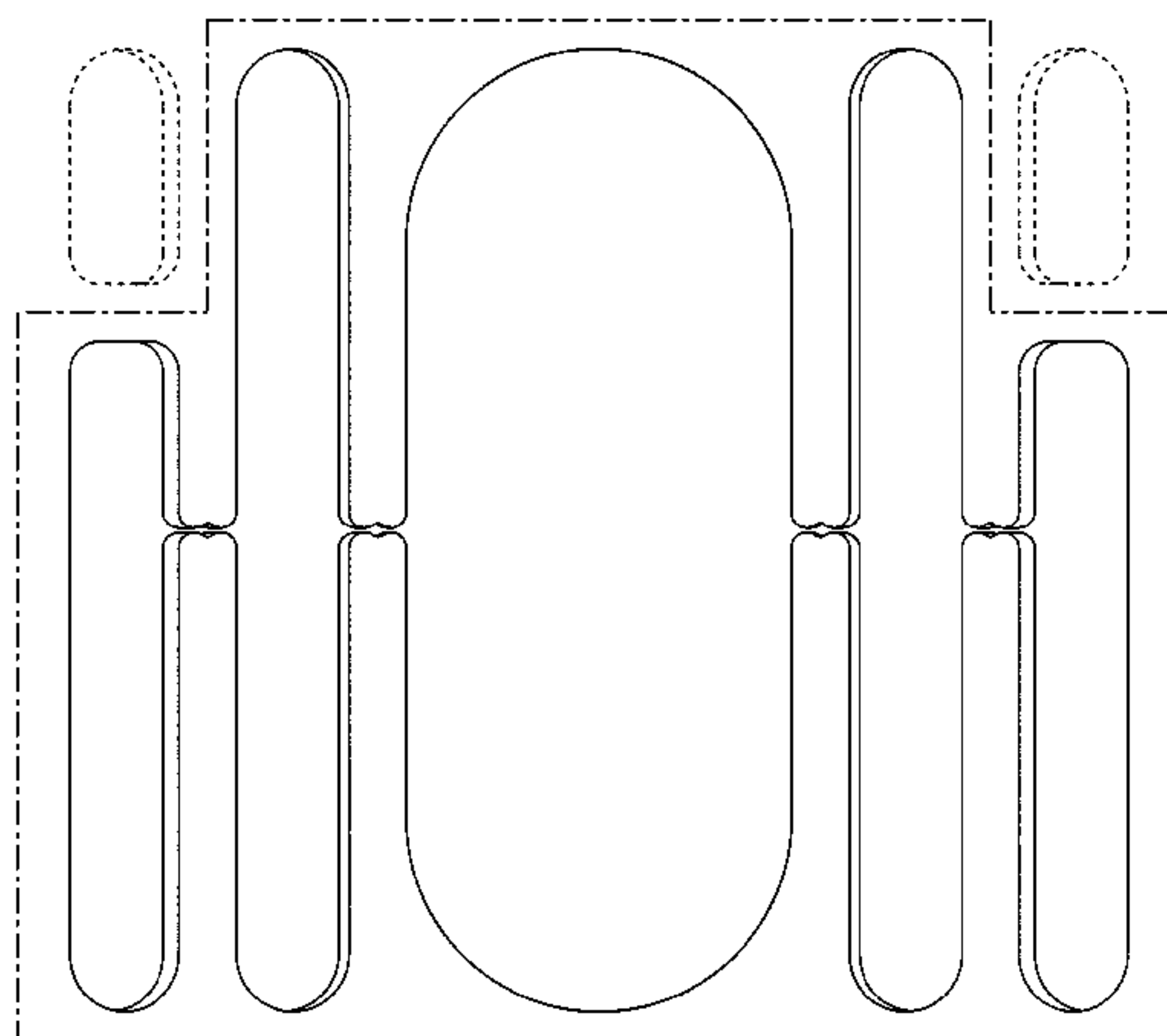


Fig. 1

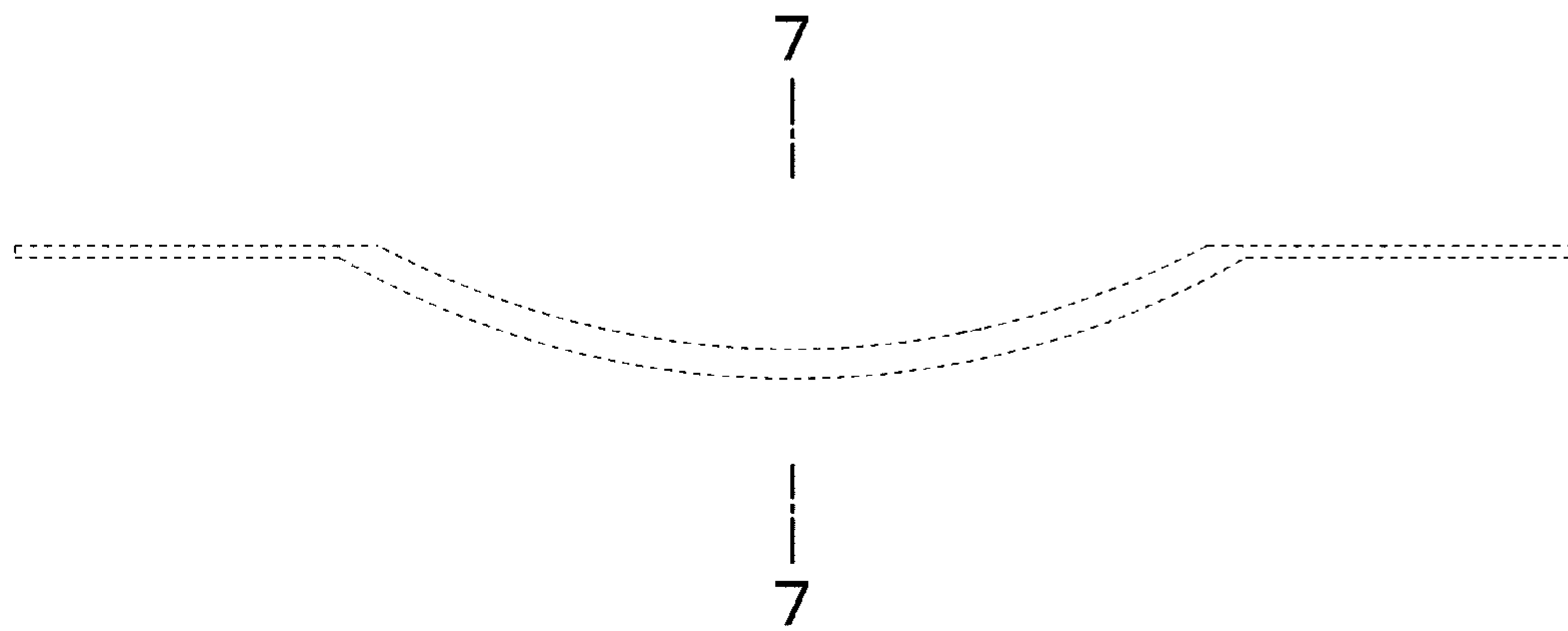


Fig. 2

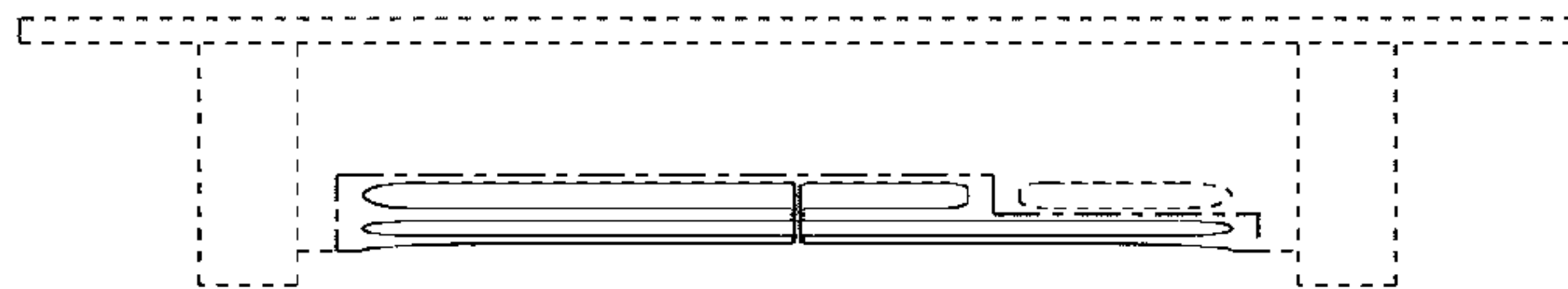


Fig. 3

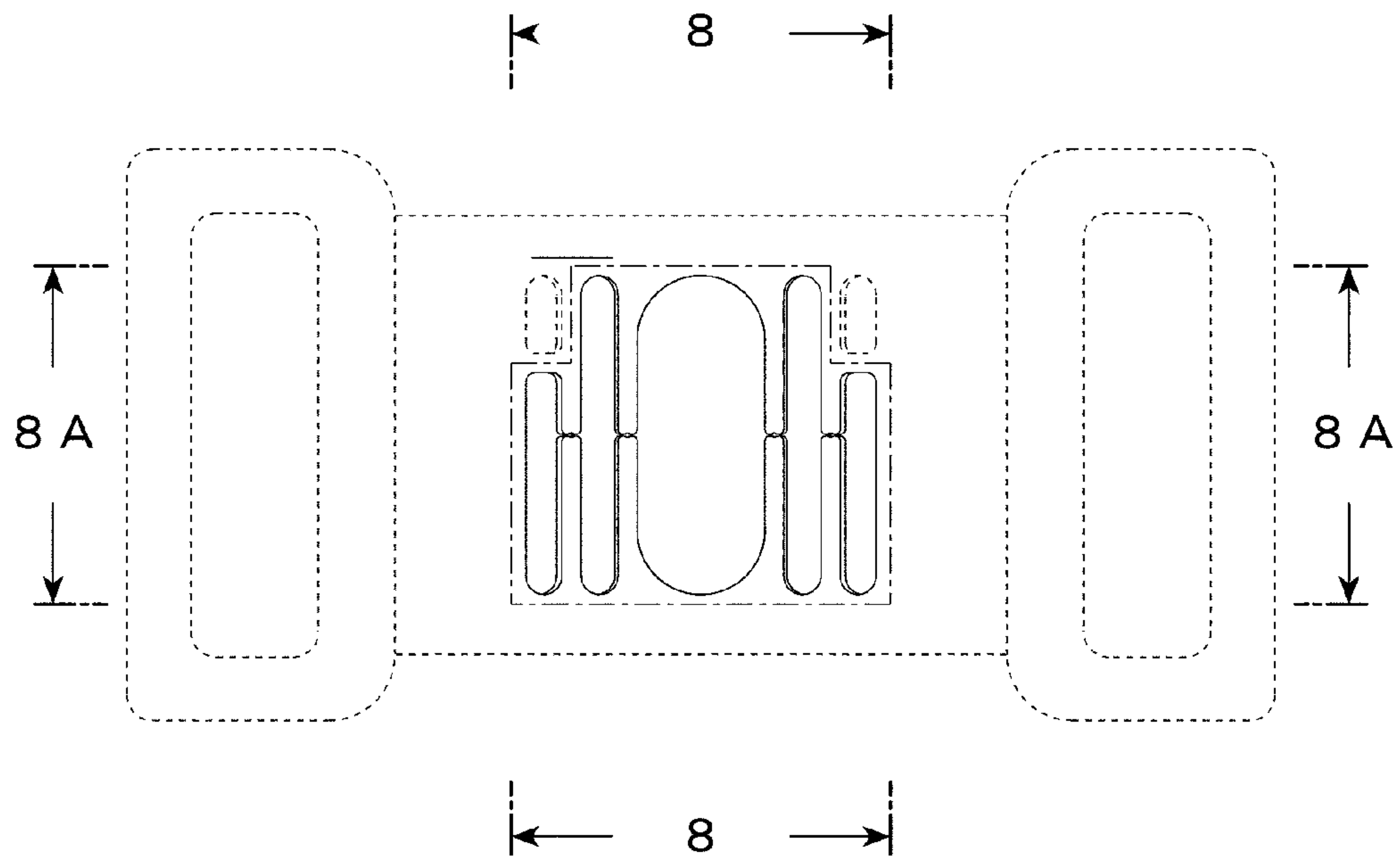


Fig. 4

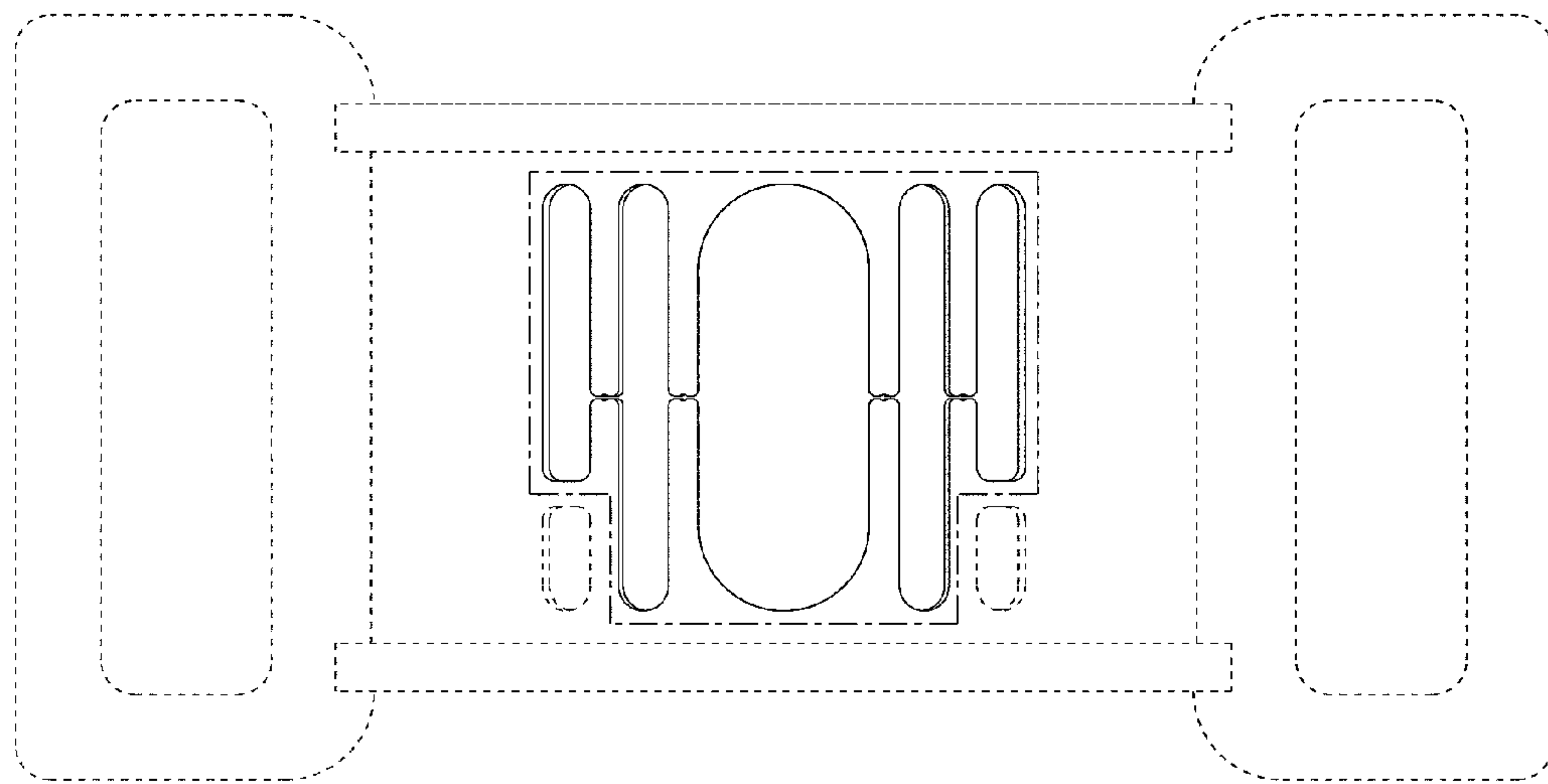


Fig. 5

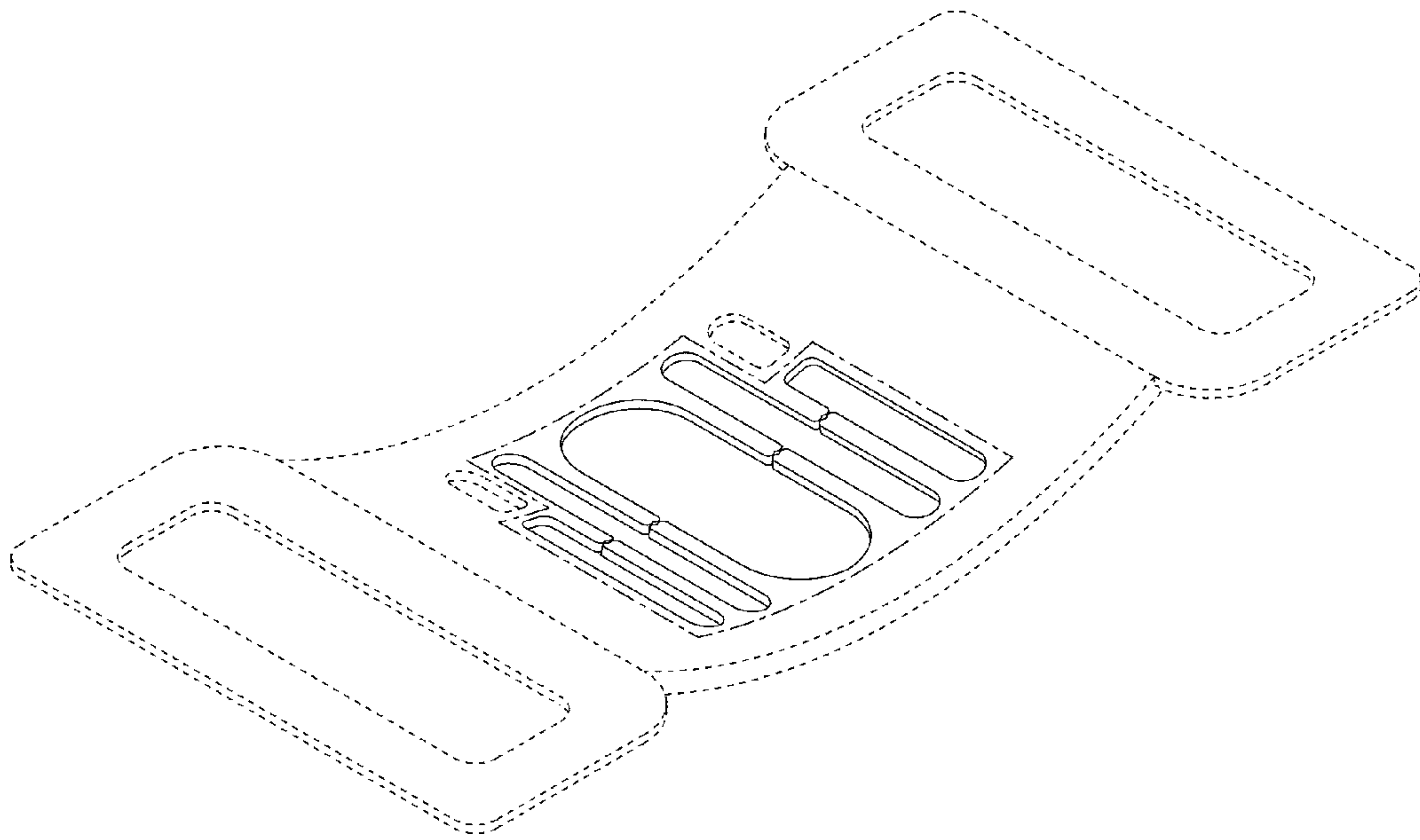


Fig. 6

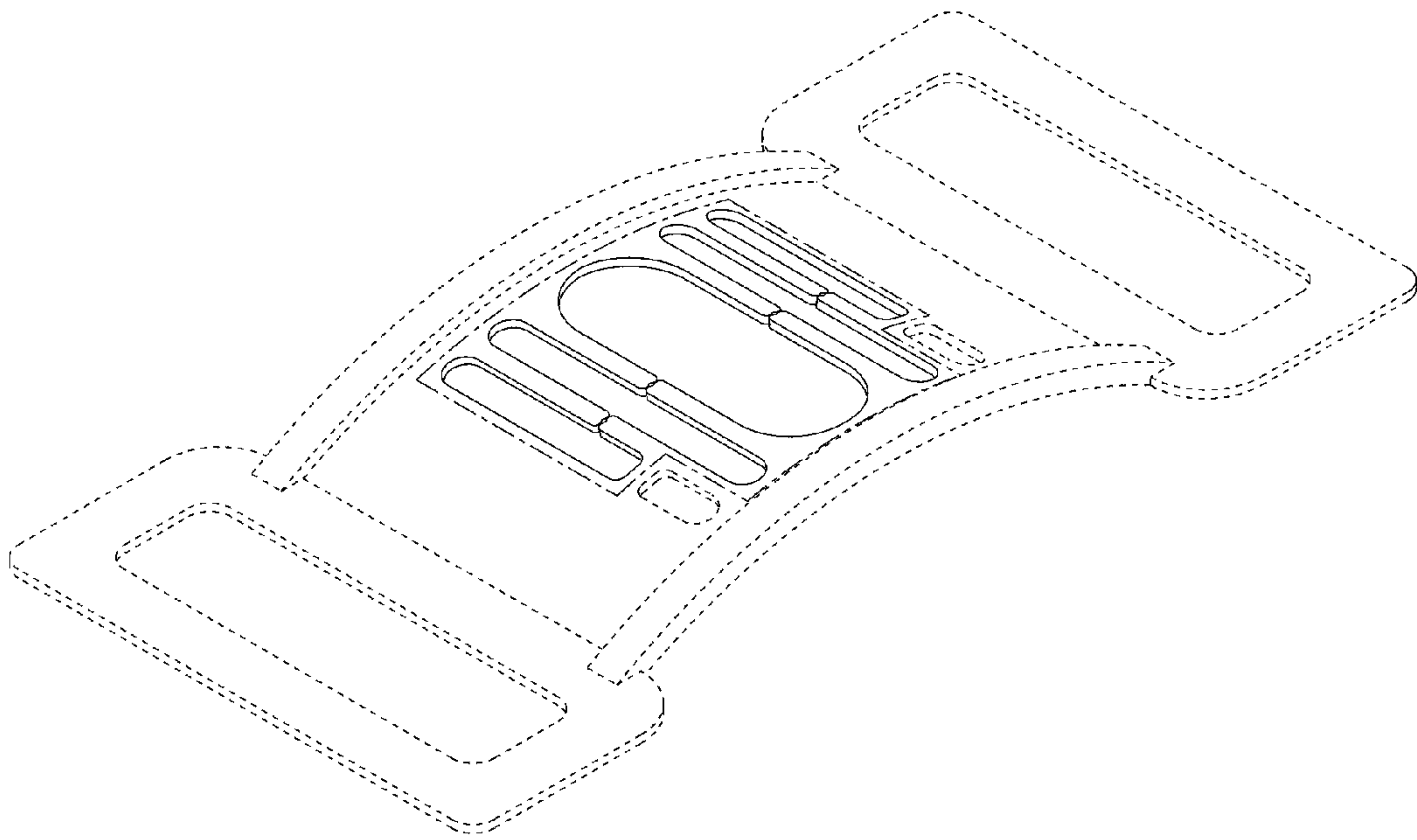


Fig. 7

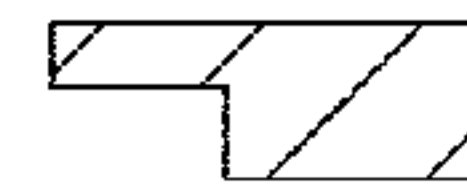
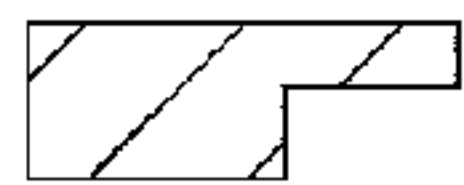


Fig. 8

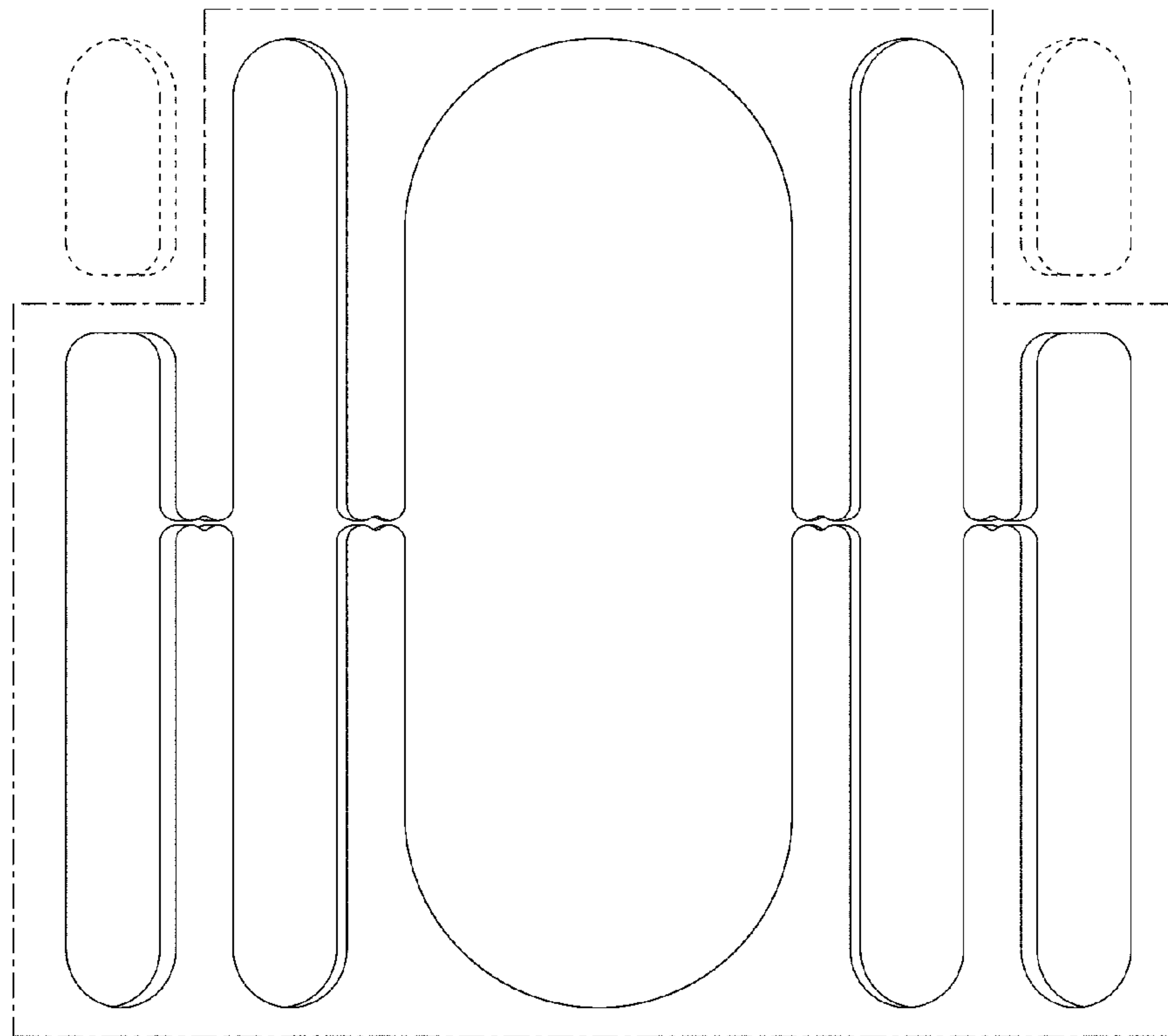


Fig. 9

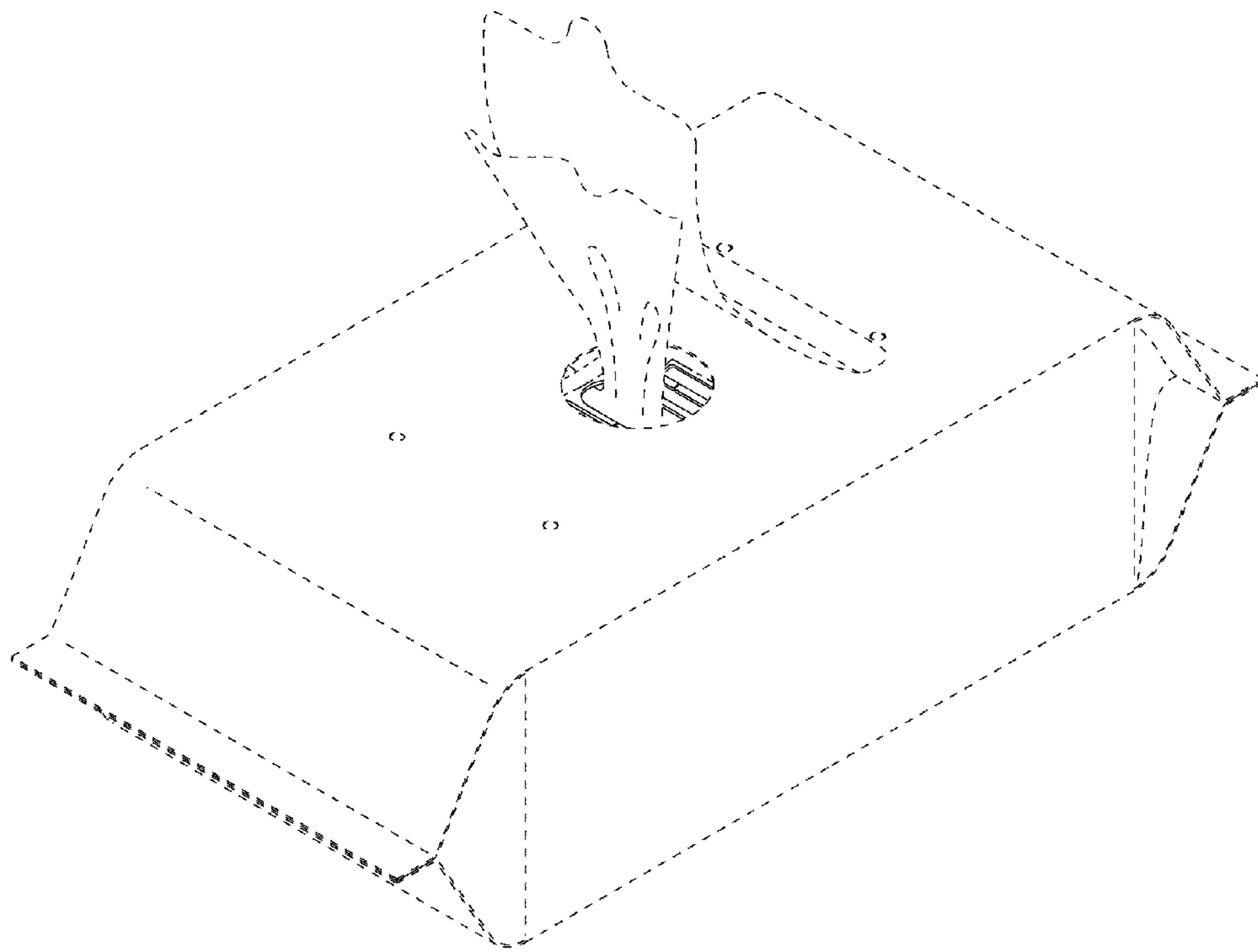


Fig. 10

