



US00D710195S

(12) **United States Design Patent**
Caldecourt et al.

(10) **Patent No.:** **US D710,195 S**

(45) **Date of Patent:** **** Aug. 5, 2014**

(54) **HANDLE FOR PACKAGING**

(75) Inventors: **Joshua Caldecourt**, Fort Collins, CO
(US); **Arianna Schiff**, Fort Collins, CO
(US)

(73) Assignee: **Otter Products, LLC**, Fort Collins, CO
(US)

(**) Term: **14 Years**

(21) Appl. No.: **29/416,091**

(22) Filed: **Mar. 19, 2012**

(51) **LOC (10) Cl.** **09-07**

(52) **U.S. Cl.**
USPC **D9/443; D9/434**

(58) **Field of Classification Search**
USPC D9/434, 455, 704, 705, 707;
229/117.22-117.25; 16/406, 412-420;
383/9; D8/307-310, 316-318;
294/27.1, 137

See application file for complete search history.

(56) **References Cited**

U.S. PATENT DOCUMENTS

D29,333 S * 9/1898 Seymour D8/315
1,456,716 A * 5/1923 Resek 294/31.2

2,158,697 A * 5/1939 Harrison 16/407
2,780,402 A * 2/1957 Heiblim et al. 229/117.23
D190,561 S * 6/1961 Morgan D8/316
D193,546 S * 9/1962 Clayton D8/316
D207,470 S * 4/1967 Unter D8/316
3,412,422 A * 11/1968 Champlin 16/444
D236,864 S * 9/1975 Tegner D6/549
D581,768 S * 12/2008 Matijevic D8/315
D646,141 S * 10/2011 Jeon et al. D8/316
D648,614 S * 11/2011 Koskela D8/316
D649,005 S * 11/2011 Roe et al. D8/316

* cited by examiner

Primary Examiner — Susan Bennett Hattan

Assistant Examiner — Brett Miller

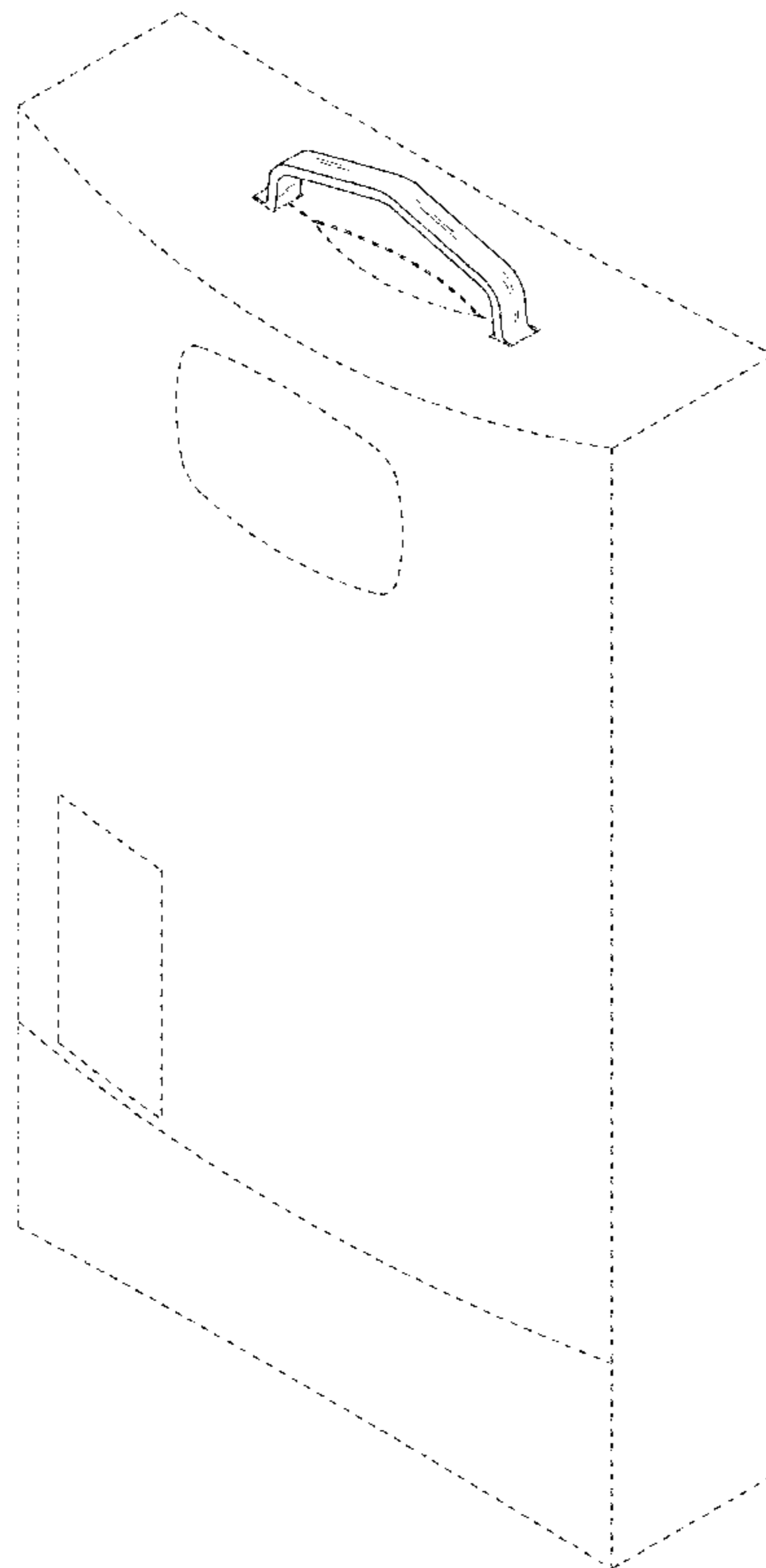
(57) **CLAIM**

The ornamental design for handle for packaging, as shown and described.

DESCRIPTION

FIG. 1 is a front isometric view of handle for packaging showing our new design;
FIG. 2 is a front view thereof;
FIG. 3 is a right view thereof;
FIG. 4 is a top view thereof; and,
FIG. 5 is a cross-section front view taken from FIG. 4 thereof. The dot-dash-dot broken lines represent a boundary of the claimed design. The dash-dash-dash broken lines depict unclaimed environment. The broken lines form no part of the claimed design.

1 Claim, 5 Drawing Sheets



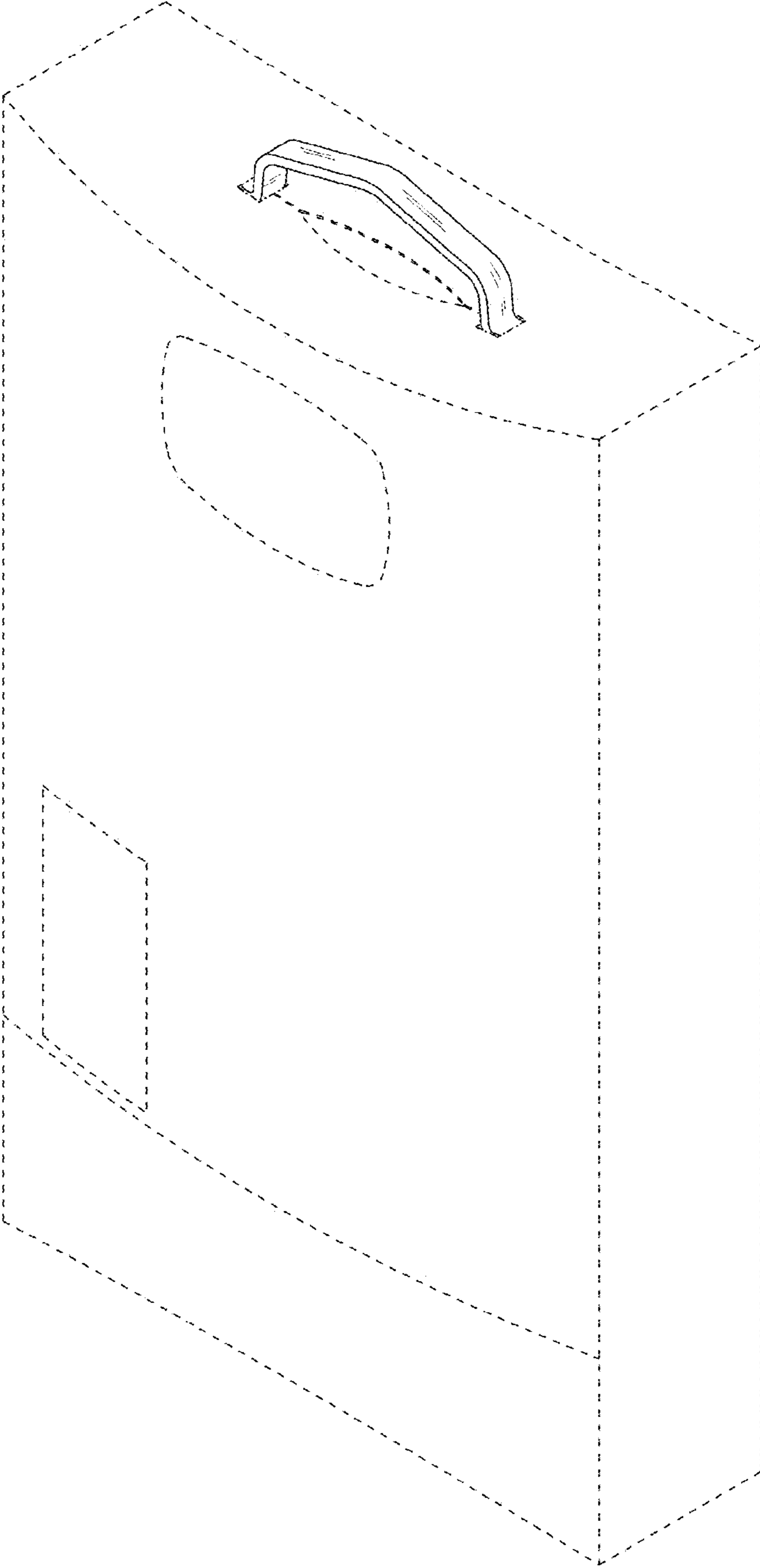


FIG. 1

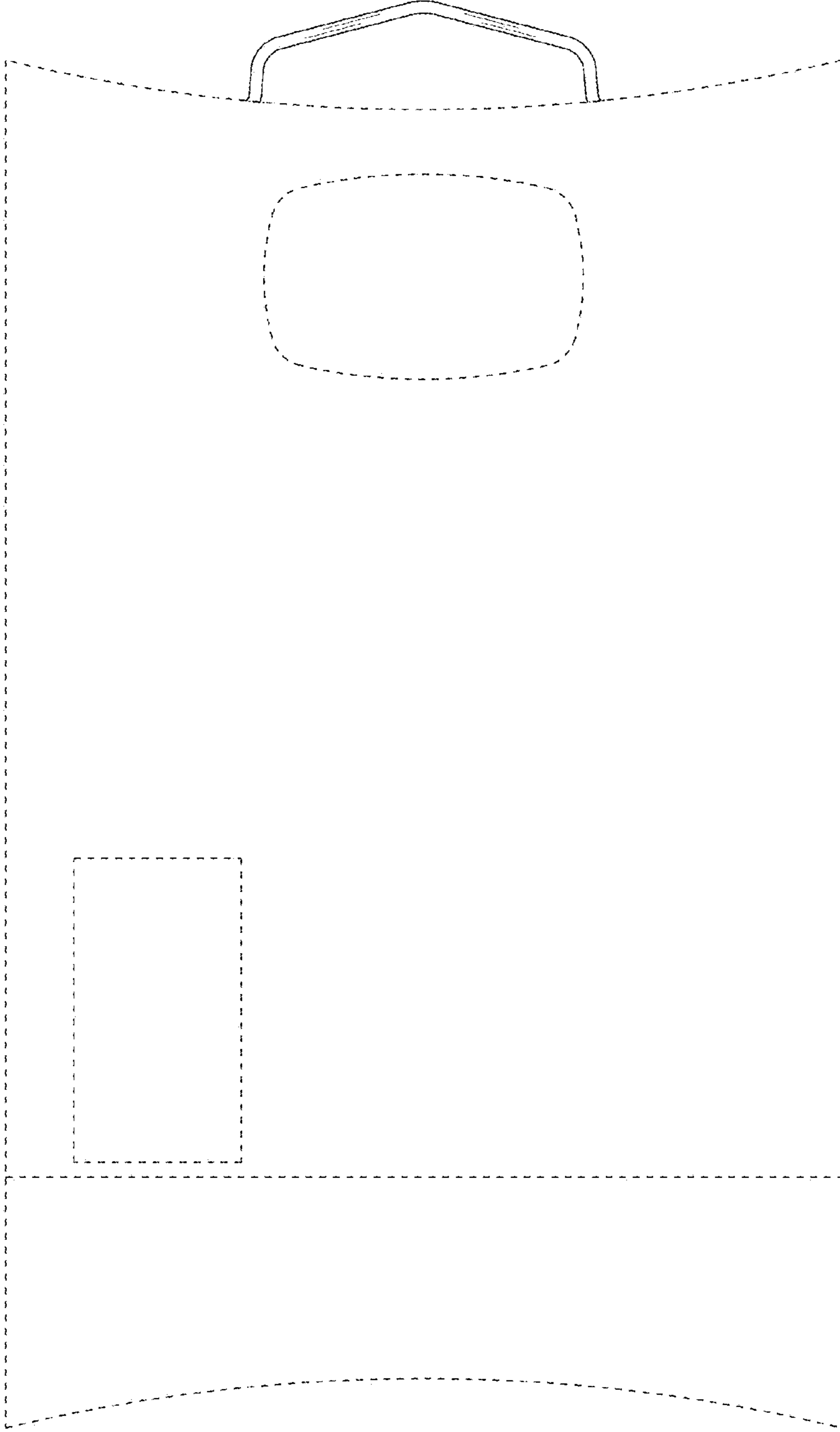


FIG. 2

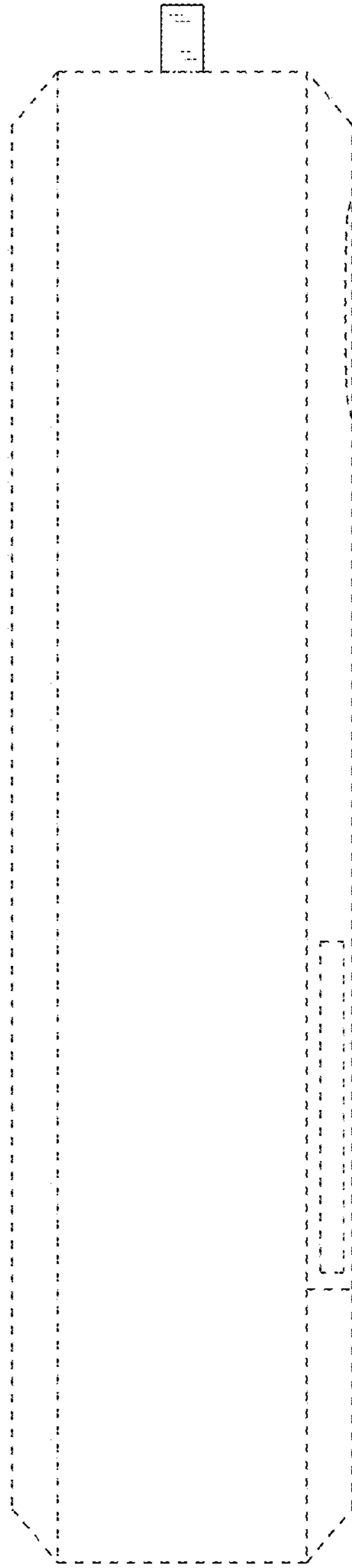


FIG. 3

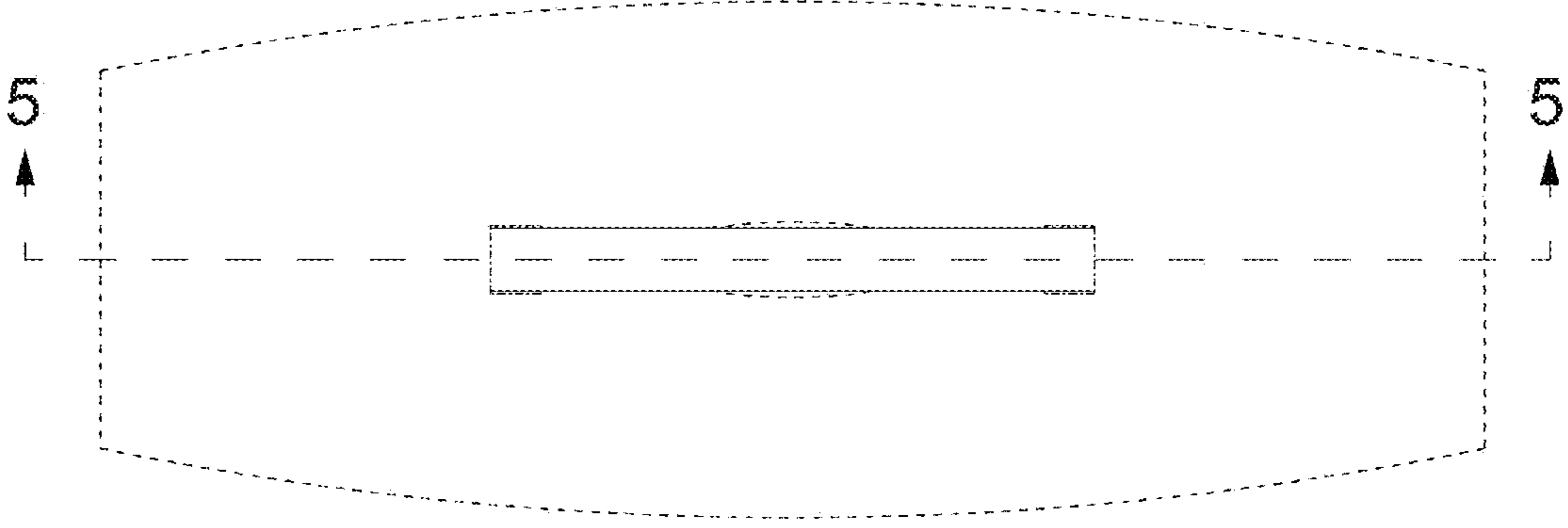


FIG. 4



FIG. 5