



US00D710194S

(12) **United States Design Patent**
Roesler

(10) **Patent No.:** **US D710,194 S**
(45) **Date of Patent:** **** Aug. 5, 2014**

(54) **PACKAGING BOX**

(71) Applicant: **Peter Roesler**, Wangen (DE)

(72) Inventor: **Peter Roesler**, Wangen (DE)

(73) Assignee: **Rose Plastic AG** (DE)

(**) Term: **14 Years**

(21) Appl. No.: **29/434,272**

(22) Filed: **Oct. 11, 2012**

(30) **Foreign Application Priority Data**

Apr. 13, 2012 (EP) 00202542-001

(51) **LOC (10) Cl.** **09-03**

(52) **U.S. Cl.**
USPC **D9/432**

(58) **Field of Classification Search**

CPC B29L 2031/7162; B29L 2031/7164;
B29L 2031/7166; B65D 1/22; B65D 1/34;
B65D 43/162; B65D 81/02; B65D 81/3813;
B65D 5/00; B65D 5/001; B65D 5/0025;
B65D 5/005; B65D 5/067-5/069; B65D 5/64;
B65D 5/72; B65D 21/00
USPC D9/415-419, 420-425, 428, 429-435,
D9/535, 536, 541-543, 560, 708, 719,
D9/734; D3/203.2, 272, 273, 294,
D3/302-304; D7/538-542, 601, 602, 629;
220/780-806, 574-575; 206/521.1,
206/541, 564; 229/100-101.3, 106,
229/108-112, 124, 125, 162.1, 165, 172,
229/182.1, 183, 185, 200, 210, 221, 406,
229/407

See application file for complete search history.

(56) **References Cited**

U.S. PATENT DOCUMENTS

D366,831 S *	2/1996	Semersky et al.	D9/434
D419,872 S *	2/2000	Lane	D9/434
D456,712 S *	5/2002	Krich	D9/434
D517,914 S *	3/2006	Bretz et al.	D9/434
D518,711 S *	4/2006	Bretz et al.	D9/434
D544,341 S *	6/2007	Stoddard	D9/541
D544,345 S *	6/2007	Liebe et al.	D9/423
D580,271 S *	11/2008	Tsai	D9/542
D594,751 S *	6/2009	Bourne	D9/541
D598,281 S *	8/2009	Haimer	D9/424
D633,805 S *	3/2011	Servaire et al.	D9/542
D638,717 S *	5/2011	Schulman et al.	D9/542
D646,579 S *	10/2011	Rahe	D9/560
D699,102 S *	2/2014	Roesler	D9/418

* cited by examiner

Primary Examiner — Susan Bennett Hattan

Assistant Examiner — Vy Koenig

(74) *Attorney, Agent, or Firm* — Cohen & Grigsby, PC

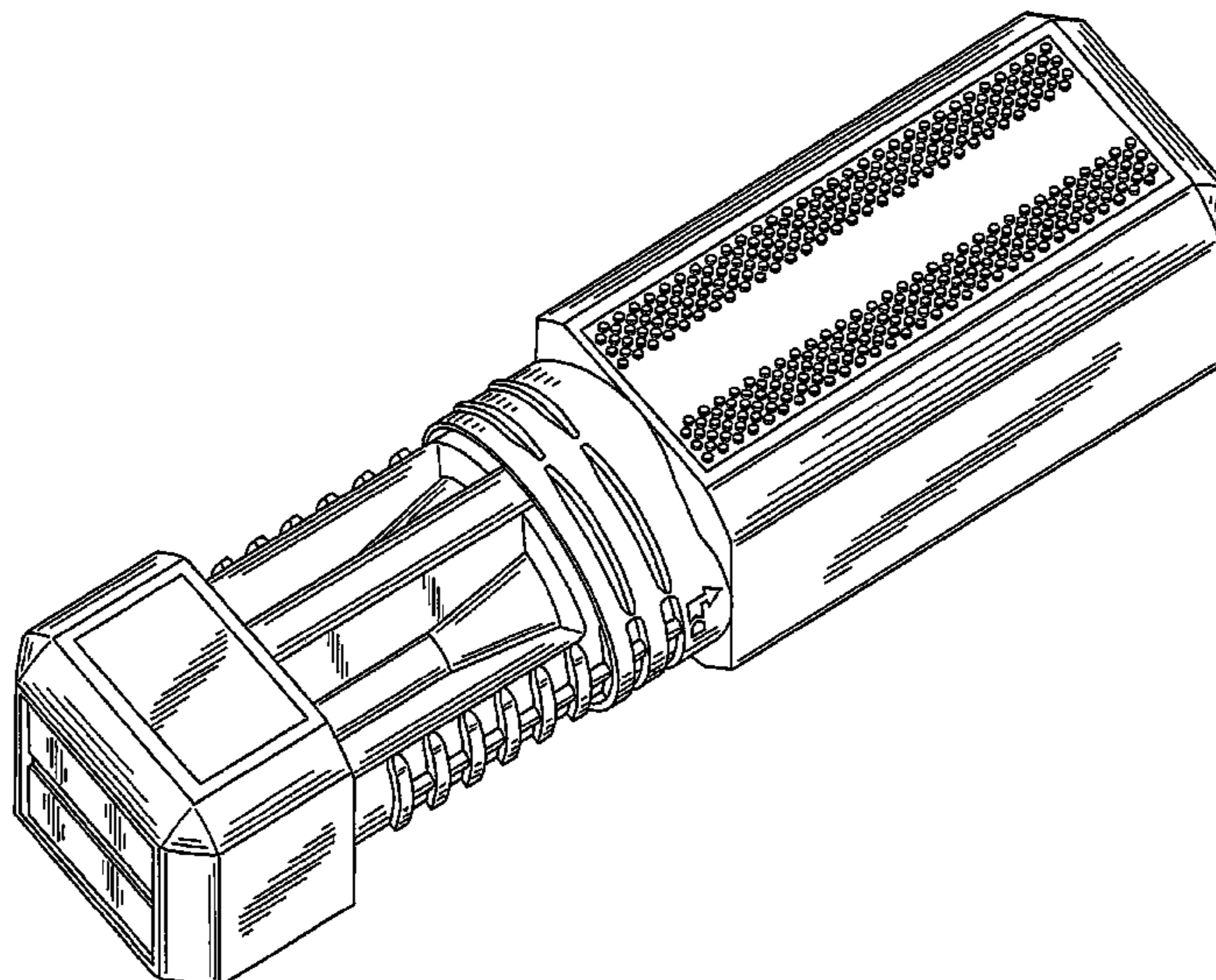
(57) **CLAIM**

The ornamental design for a packaging box, as shown and described.

DESCRIPTION

FIG. 1 is a perspective view of the packaging box.
FIG. 2 is a top view of the packaging box.
FIG. 3 is a bottom view of the packaging box.
FIG. 4 is a front side view of the packaging box.
FIG. 5 is a back side view of the packaging box.
FIG. 6 is a left view of the packaging box; and,
FIG. 7 is a right view of the packaging box.

1 Claim, 6 Drawing Sheets



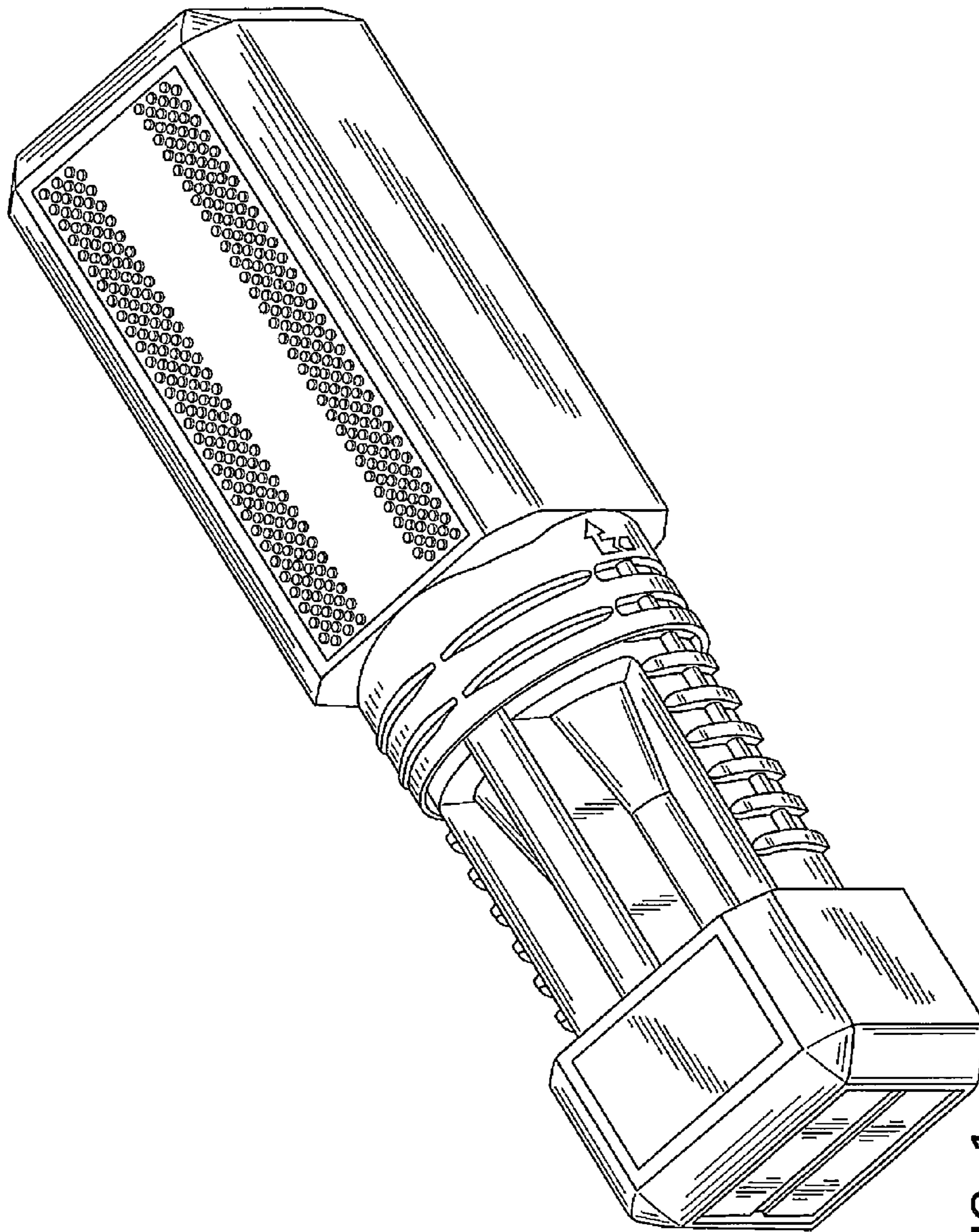


FIG. 1

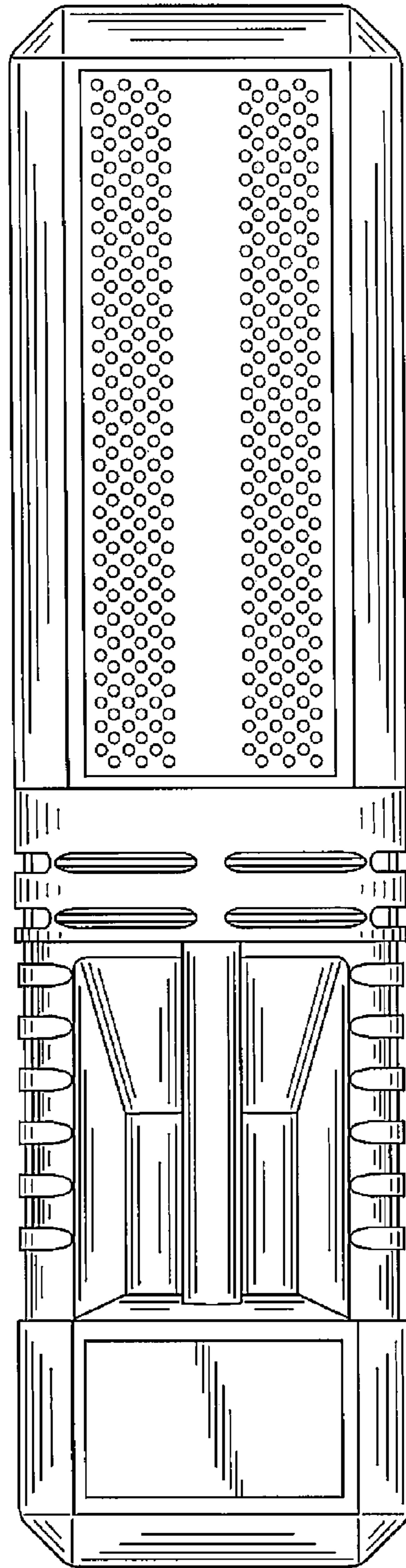


FIG. 2

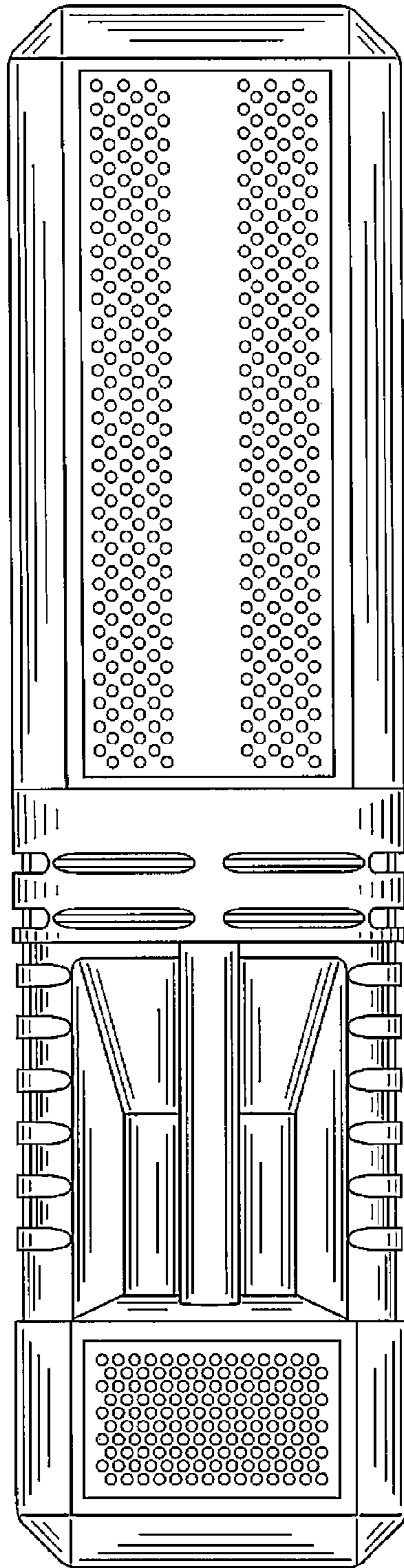


FIG. 3

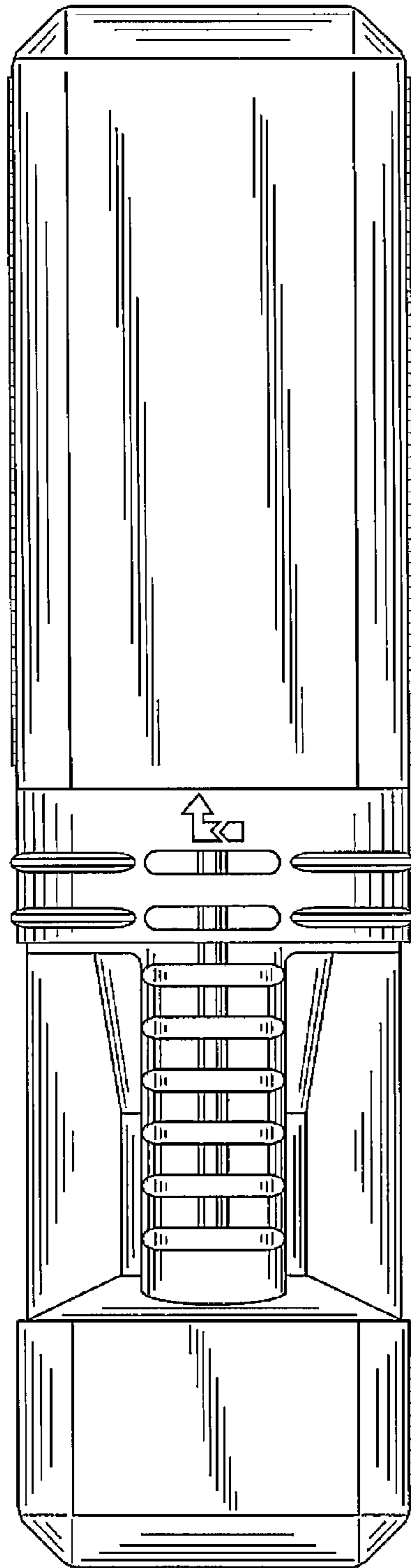


FIG. 4

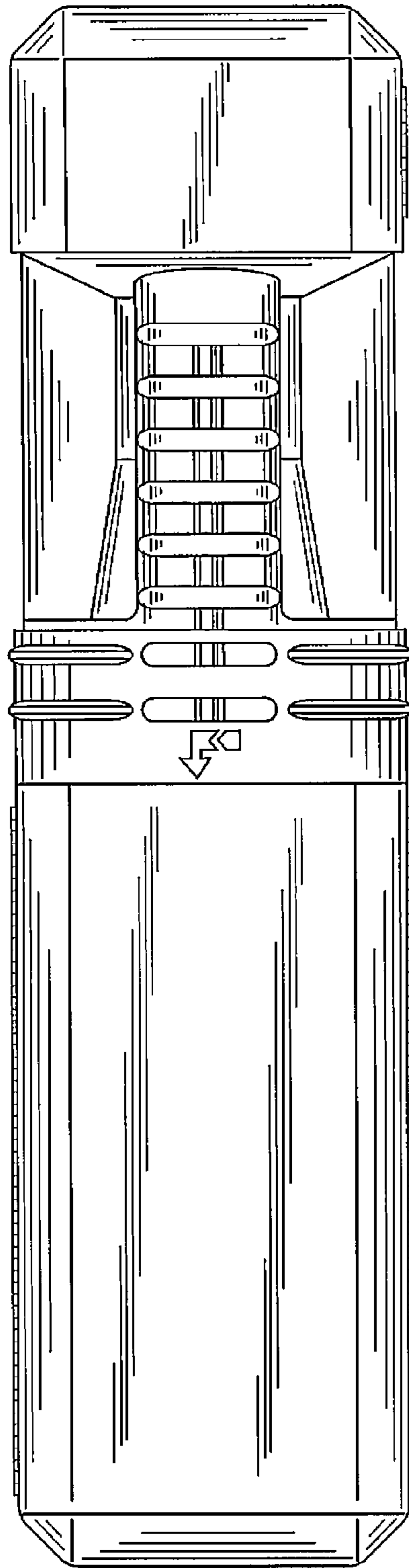


FIG. 5

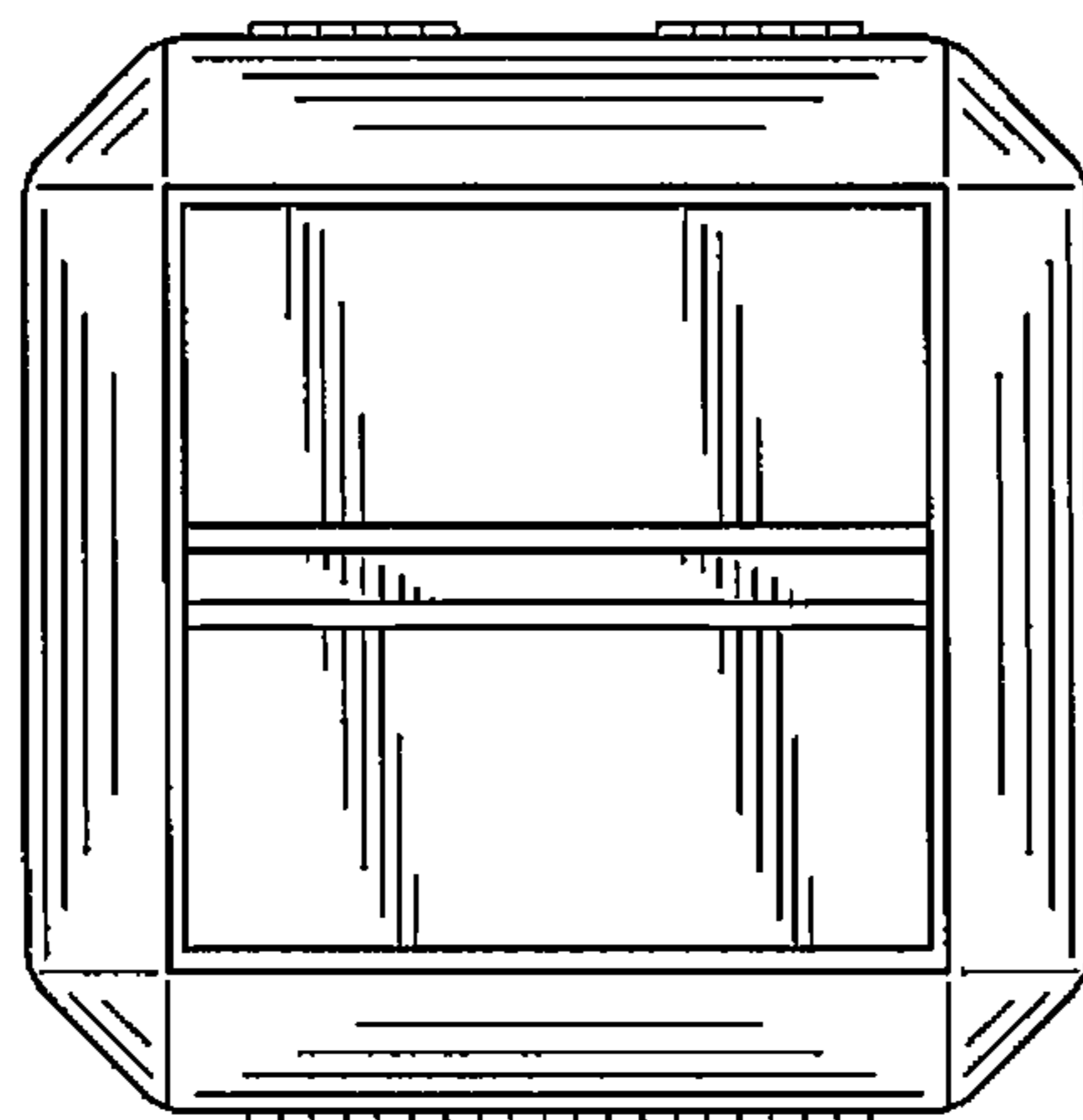


FIG. 6

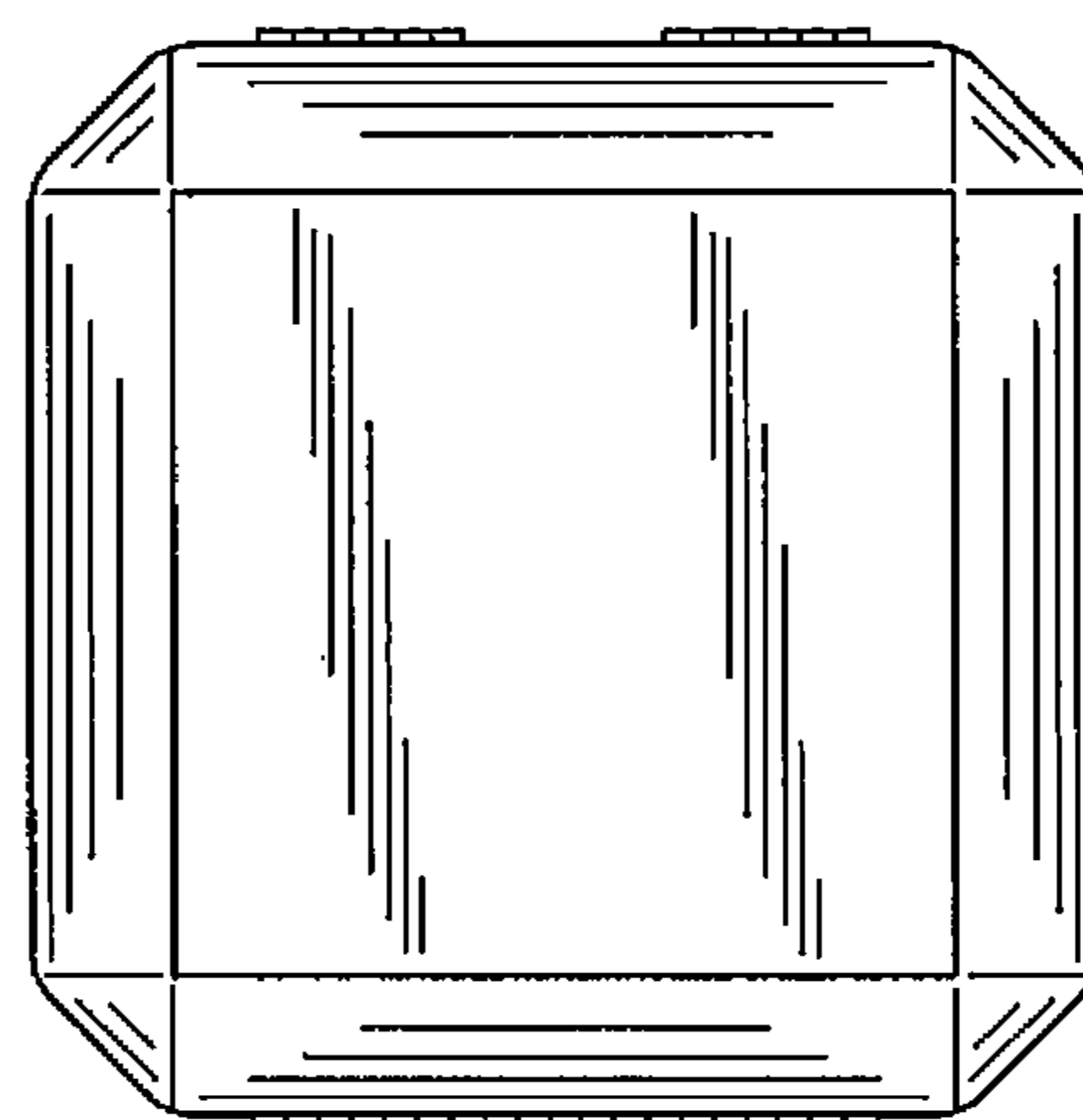


FIG. 7