



US00D710192S

(12) **United States Design Patent**
Halbur et al.

(10) **Patent No.:** **US D710,192 S**
(45) **Date of Patent:** **** Aug. 5, 2014**

(54) **BUG TOY**

(56) **References Cited**

(75) Inventors: **Ted C. Halbur**, Lino Lakes, MN (US);
David Ledsinger, Golden Valley, MN
(US); **Jared P. Kreuzer**, Minneapolis,
MN (US); **Maggie Harn**, Minneapolis,
MN (US); **Stacy Abel**, Maple Grove,
MN (US); **Donald C. Clark**, Seattle, WA
(US)

U.S. PATENT DOCUMENTS

2,554,516 A 5/1951 Anthony
D167,006 S 6/1952 Schaper
3,783,554 A 1/1974 Shapero

(Continued)

OTHER PUBLICATIONS

Office Action from Canadian Patent Application No. 147,617, mailed
May 9, 2013 (3 pages).

(Continued)

(73) Assignee: **Target Brands, Inc.**, Minneapolis, MN
(US)

(**) Term: **14 Years**

Primary Examiner — Ian Simmons

Assistant Examiner — Rhea Shields

(21) Appl. No.: **29/424,846**

(74) *Attorney, Agent, or Firm* — Griffiths & Seaton PLLC;
JoAnn M. Seaton

(22) Filed: **Jun. 15, 2012**

(51) **LOC (10) Cl.** **09-03**

(57) **CLAIM**

The ornamental design for a bug toy, as shown and described.

(52) **U.S. Cl.**

DESCRIPTION

USPC **D9/414**

(58) **Field of Classification Search**

USPC D9/346, 414–418, 424, 425, 423, 428,
D9/429, 431–436, 445, 452–454, 499, 500,
D9/504, 516, 519, 522, 529, 535, 537, 545,
D9/551, 571, 672, 675, 702, 711, 715, 721,
D9/722, 737, 748, 759, 740, 743, 745, 749,
D9/756, 718, 713, 712, 546, 1, 630;
206/769, 773, 775–778, 395, 397–398,
206/223, 736, 756, 495, 349, 760, 541,
206/784; 229/162.1, 162.3, 162.7, 107,
229/122, 395, 938, 902, 409, 125.05, 116.1,
229/8, 22, 132, 131.1, 160, 125.15, 122.27,
229/122.31, 122.32, 123, 241, 172, 174,
229/185.1, 120.04, 120.13, 120.14, 120.23,
229/87.06, 92.3, 103.3, 104, 114, 117,
229/117.08, 117.17, 120; D21/108, 650;
D11/142; D7/538

FIG. 1 is a front, perspective view of a bug toy showing our
new design;

FIG. 2 is a front view thereof;

FIG. 3 is a rear view thereof;

FIG. 4 is a right side view thereof;

FIG. 5 is a left side view thereof; and,

FIG. 6 is a top view thereof.

FIG. 7 is a front, perspective view of the bug toy of FIG. 1
illustrated with additional environmental subject matter;

FIG. 8 is a front view thereof;

FIG. 9 is a rear view thereof;

FIG. 10 is a right side view thereof;

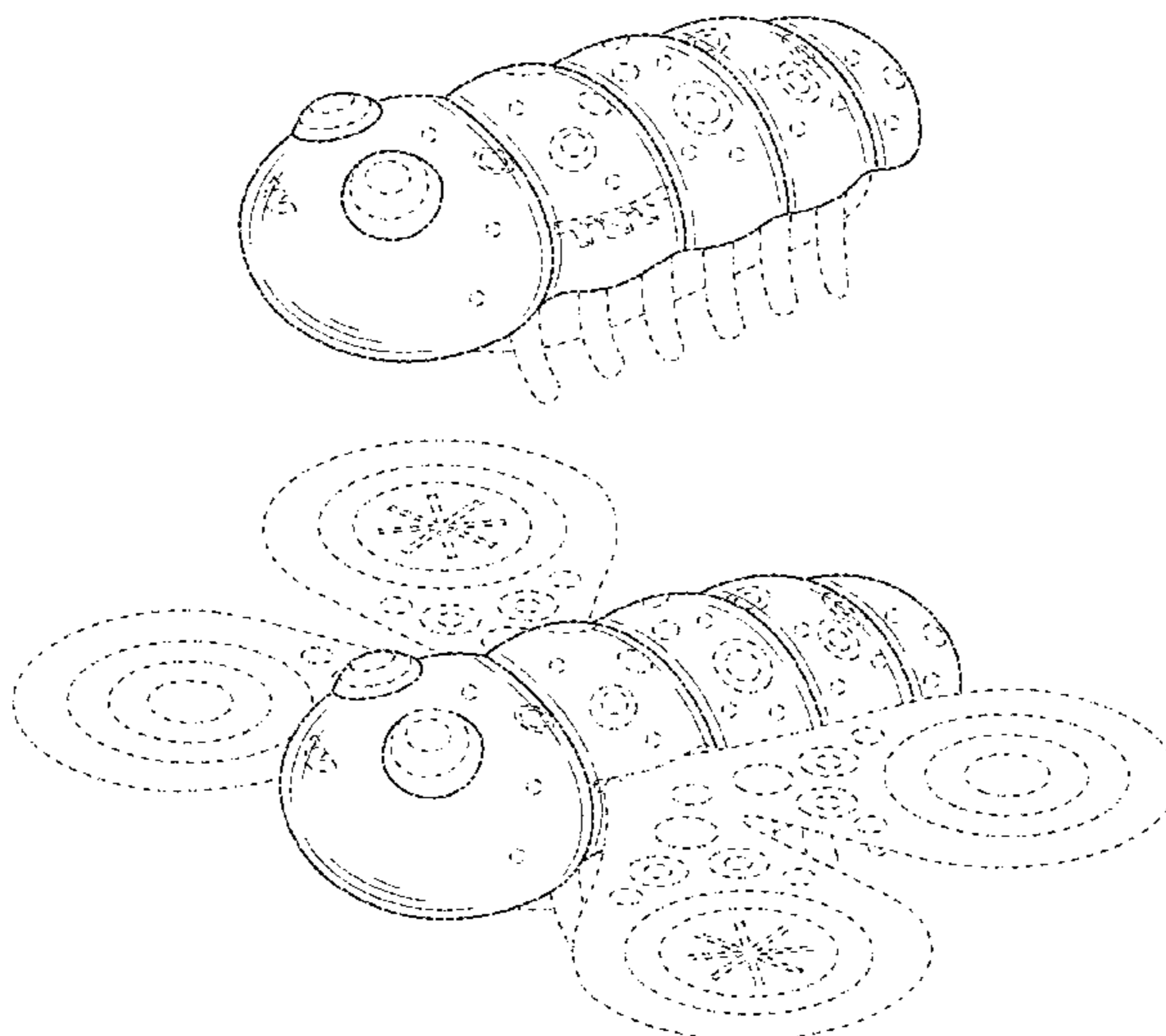
FIG. 11 is a left side view thereof; and,

FIG. 12 is a top view thereof.

In the drawings, the broken lines depict environmental sub-
ject matter only and form no part of the claimed design. The
bottom views of the bug toy have been omitted because the
bottom surfaces form no part of the claimed design.

See application file for complete search history.

1 Claim, 4 Drawing Sheets



(56)

References Cited

U.S. PATENT DOCUMENTS

3,866,348 A 2/1975 Roby et al.
 D296,456 S 6/1988 Guidry
 D299,731 S 2/1989 Vetter
 4,817,936 A 4/1989 Matsuda
 4,964,831 A 10/1990 Wolff
 5,188,222 A * 2/1993 Pierce 206/756
 5,209,345 A 5/1993 Haugabook
 5,310,375 A 5/1994 Kanauchi
 5,310,378 A 5/1994 Shannon
 D357,627 S * 4/1995 Angeles et al. D9/418
 5,451,180 A 9/1995 Chan et al.
 5,503,274 A 4/1996 Toffler et al.
 5,545,069 A 8/1996 Glynn et al.
 D398,226 S * 9/1998 Lai et al. D9/418
 D408,275 S 4/1999 Terrasi
 D409,430 S 5/1999 Bear
 D421,932 S 3/2000 Hawkins et al.
 D427,256 S 6/2000 Teigiser
 6,086,446 A 7/2000 Arriola
 D434,318 S * 11/2000 Chiang D9/418
 6,540,580 B1 4/2003 Wolfram
 6,685,527 B2 2/2004 Johnson
 D514,436 S 2/2006 McGuinness
 D546,193 S * 7/2007 Scimone D9/630
 D559,905 S 1/2008 Halbur et al.
 7,316,357 B2 1/2008 Lindahl et al.
 D562,897 S * 2/2008 Ballinger et al. D19/59
 D599,849 S 9/2009 Halbur et al.
 7,591,418 B2 9/2009 Halbur et al.
 7,748,607 B2 7/2010 Borkowski et al.
 D621,888 S * 8/2010 Rappaport-Rowan D21/650
 7,789,297 B2 9/2010 Birkeland et al.

7,810,710 B2 10/2010 Halbur et al.
 7,810,719 B2 10/2010 Clegg et al.
 D634,780 S 3/2011 Schumann
 D635,187 S 3/2011 Pompei et al.
 7,905,416 B2 3/2011 Halbur
 7,959,068 B2 6/2011 Halbur et al.
 D645,525 S 9/2011 Norman et al.
 D645,526 S 9/2011 Norman et al.
 D645,527 S 9/2011 Norman et al.
 D645,914 S 9/2011 Norman et al.
 D645,915 S 9/2011 Norman et al.
 D645,916 S 9/2011 Norman et al.
 D645,917 S 9/2011 Norman et al.
 D645,918 S 9/2011 Norman et al.
 8,016,193 B2 9/2011 Haugen et al.
 8,038,503 B2 10/2011 Norman et al.
 8,047,425 B2 11/2011 Holt et al.
 8,052,502 B2 11/2011 Connolly
 8,070,054 B2 12/2011 Halbur et al.
 D682,368 S * 5/2013 Mimlitch et al. D21/650
 D685,746 S * 7/2013 Ott D13/156
 D687,385 S * 8/2013 Ott D13/156
 D696,359 S * 12/2013 Niskanen D21/439
 D698,396 S * 1/2014 Friedland D21/650
 2007/0037480 A1 2/2007 Jarck
 2011/0028069 A1 2/2011 Norman et al.
 2011/0161187 A1 6/2011 Albrecht et al.
 2012/0015585 A1 1/2012 Norman et al.

OTHER PUBLICATIONS

Photographs of Hexbug Easter Egg Packaging and Removable Bunny Ears publicly offered for sale at least as early as Mar. 2011 (1 page).

* cited by examiner

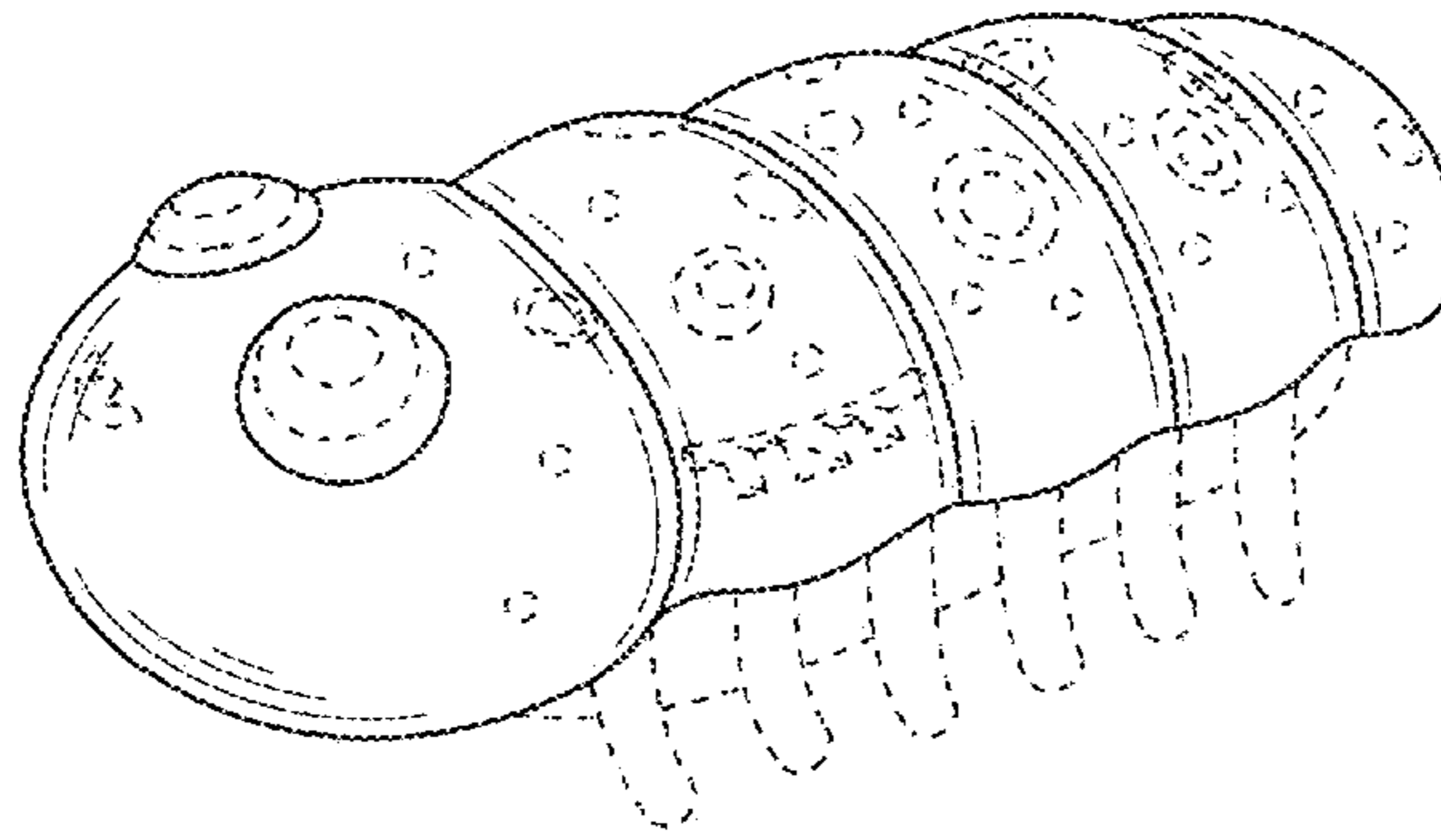


FIG. 1

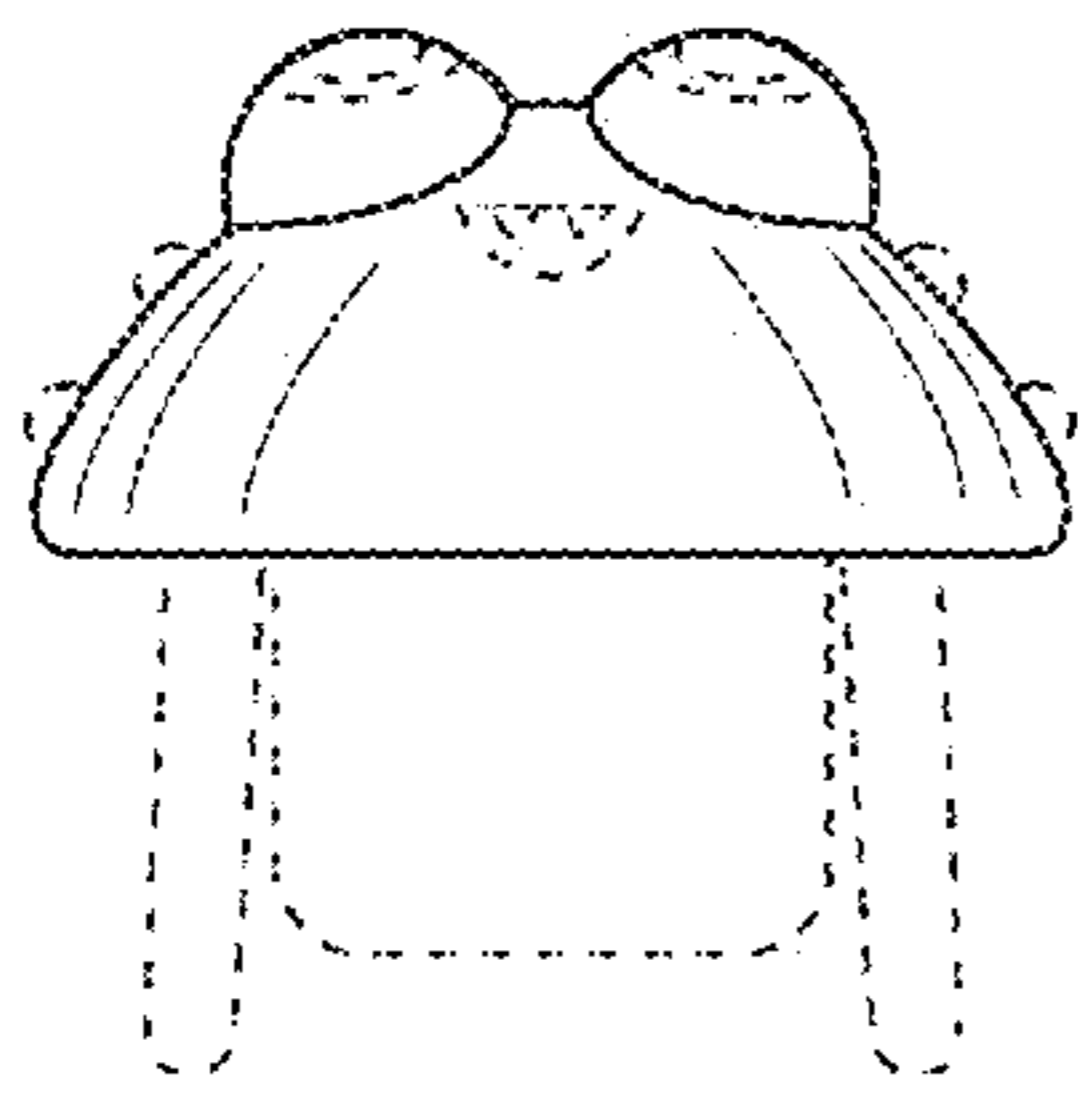


FIG. 2

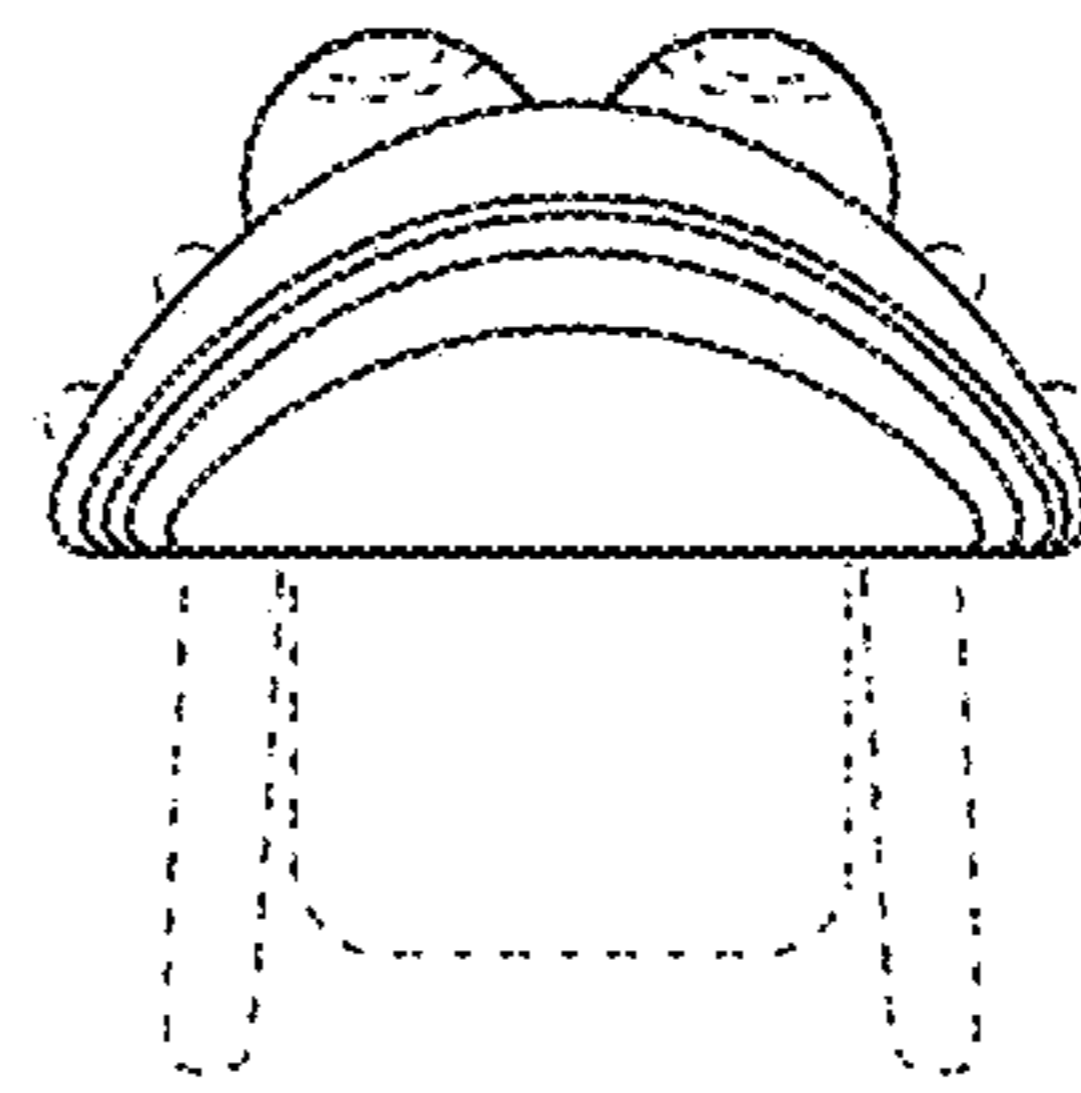


FIG. 3

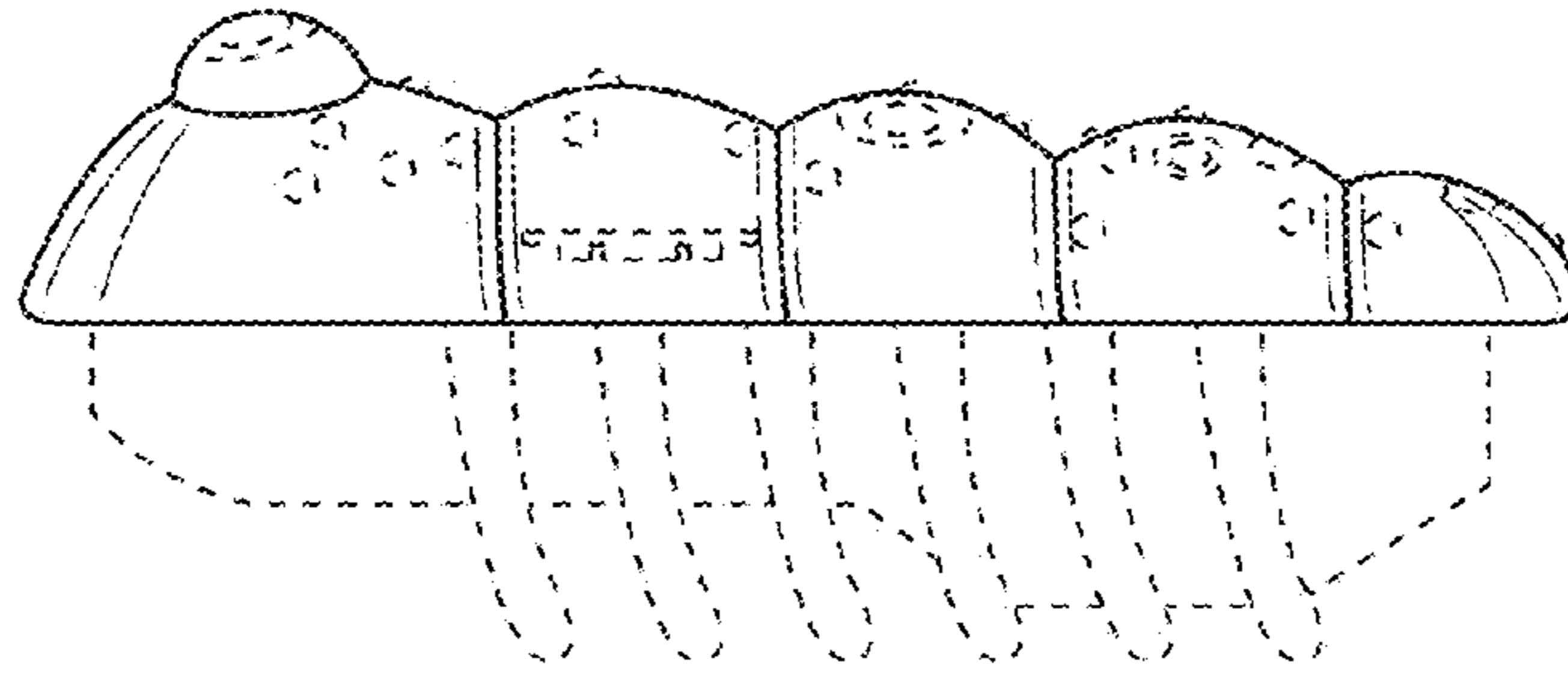


FIG. 4

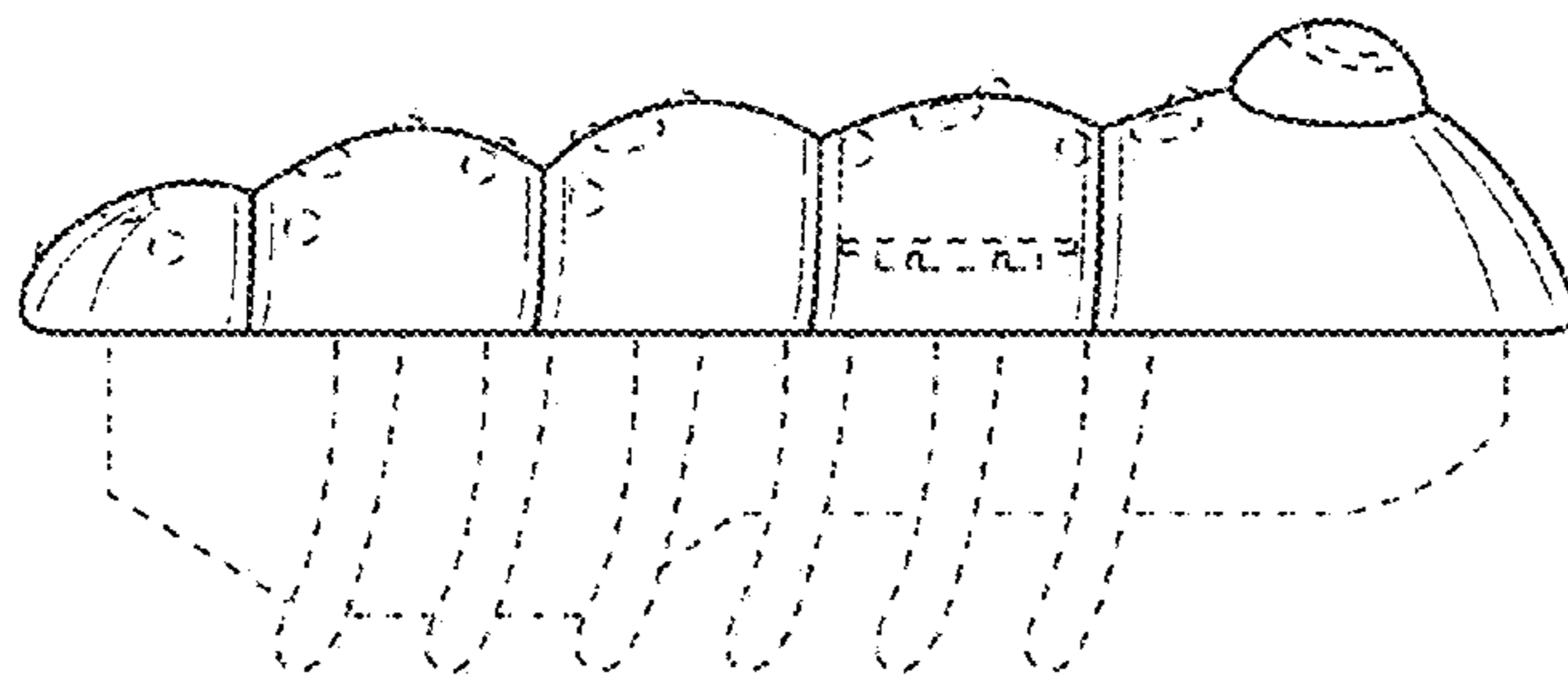


FIG. 5

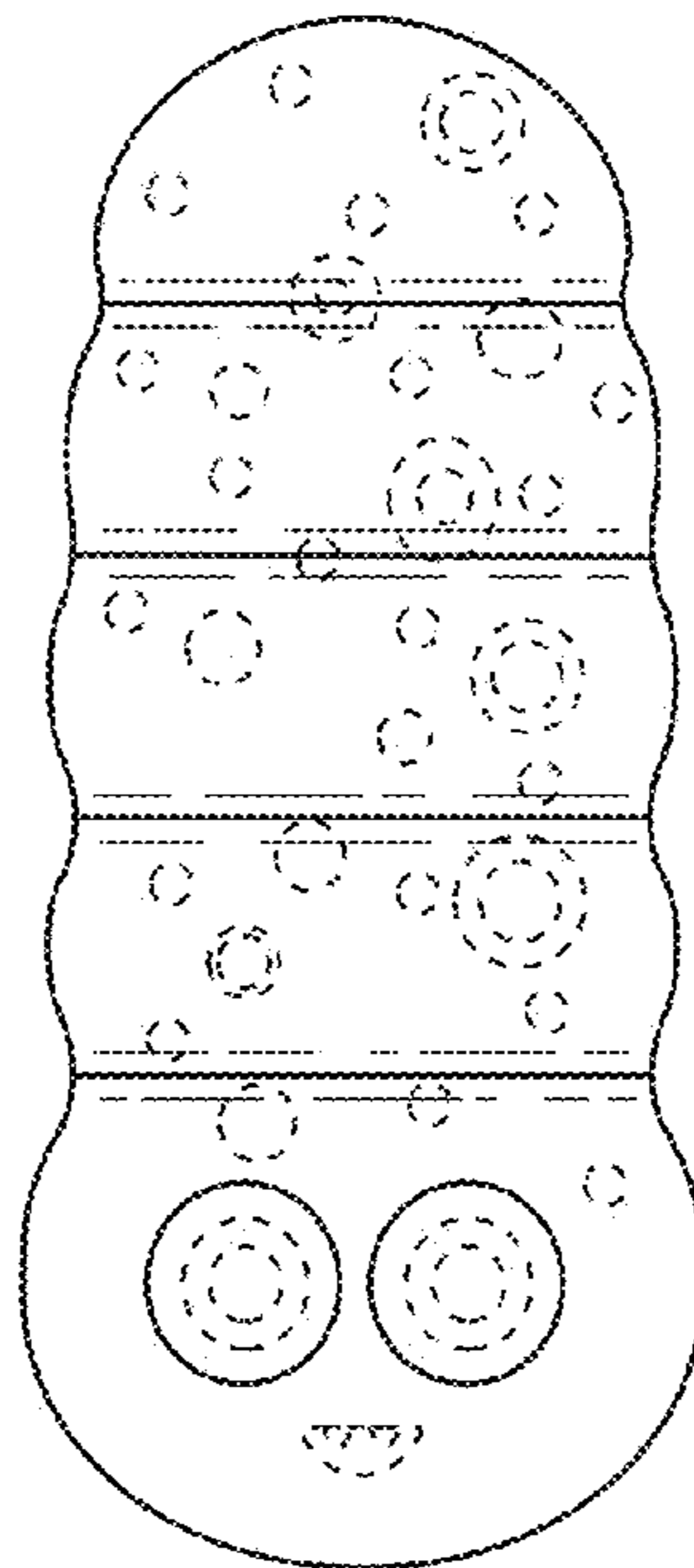


FIG. 6

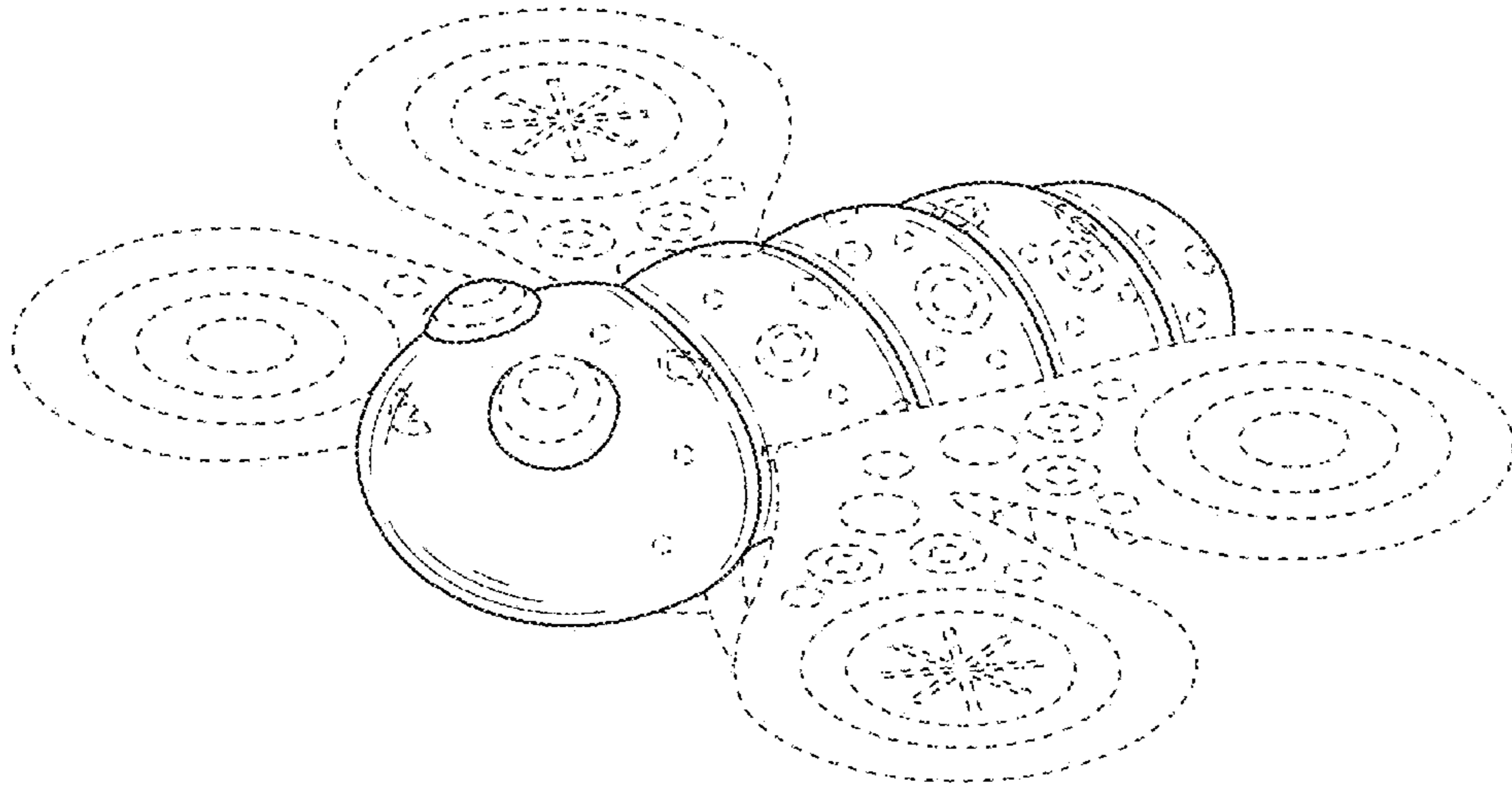


FIG. 7

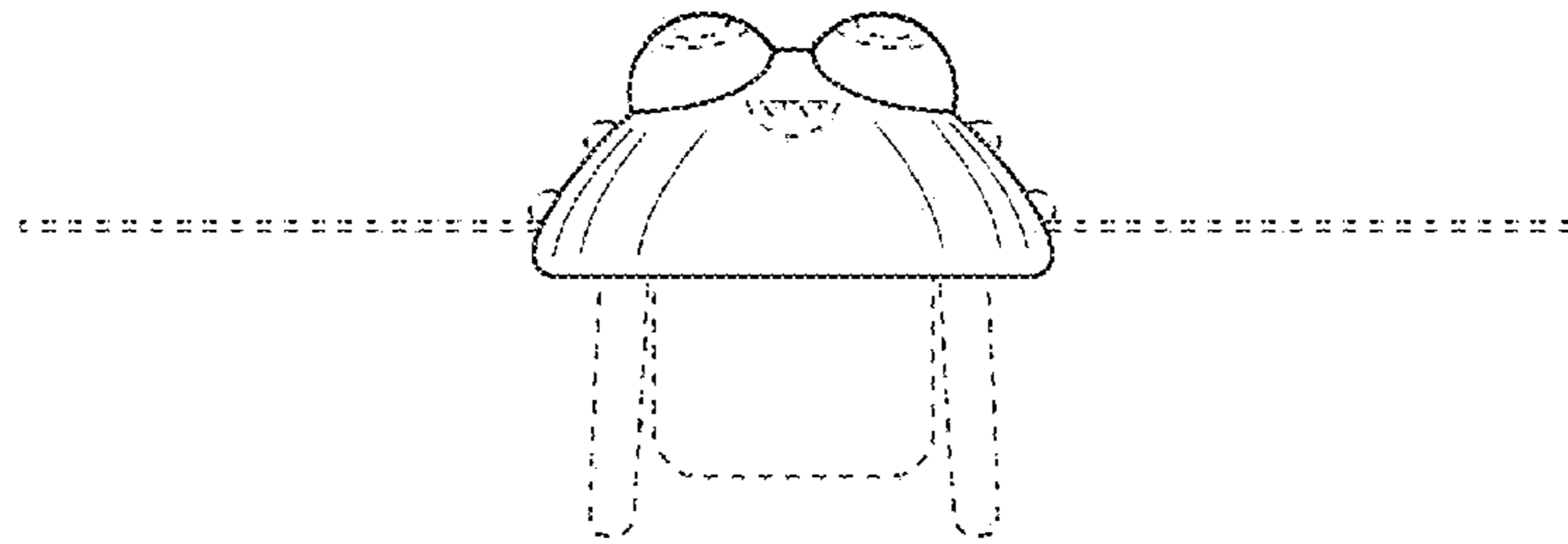


FIG. 8

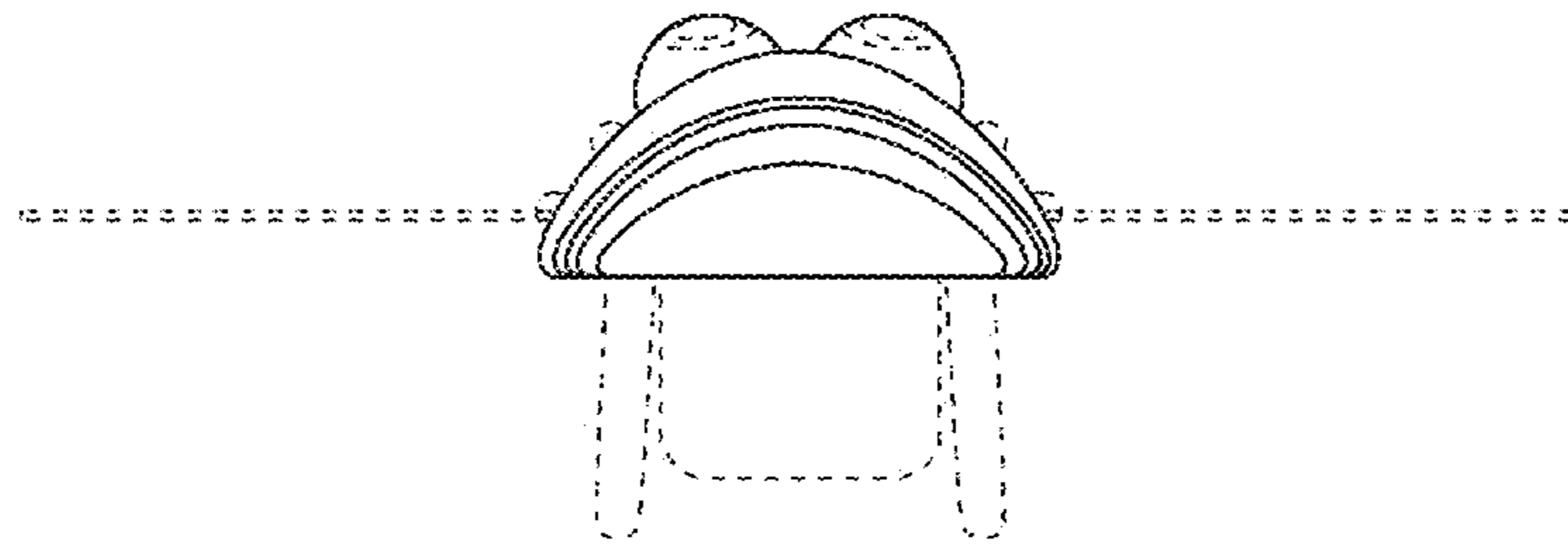


FIG. 9

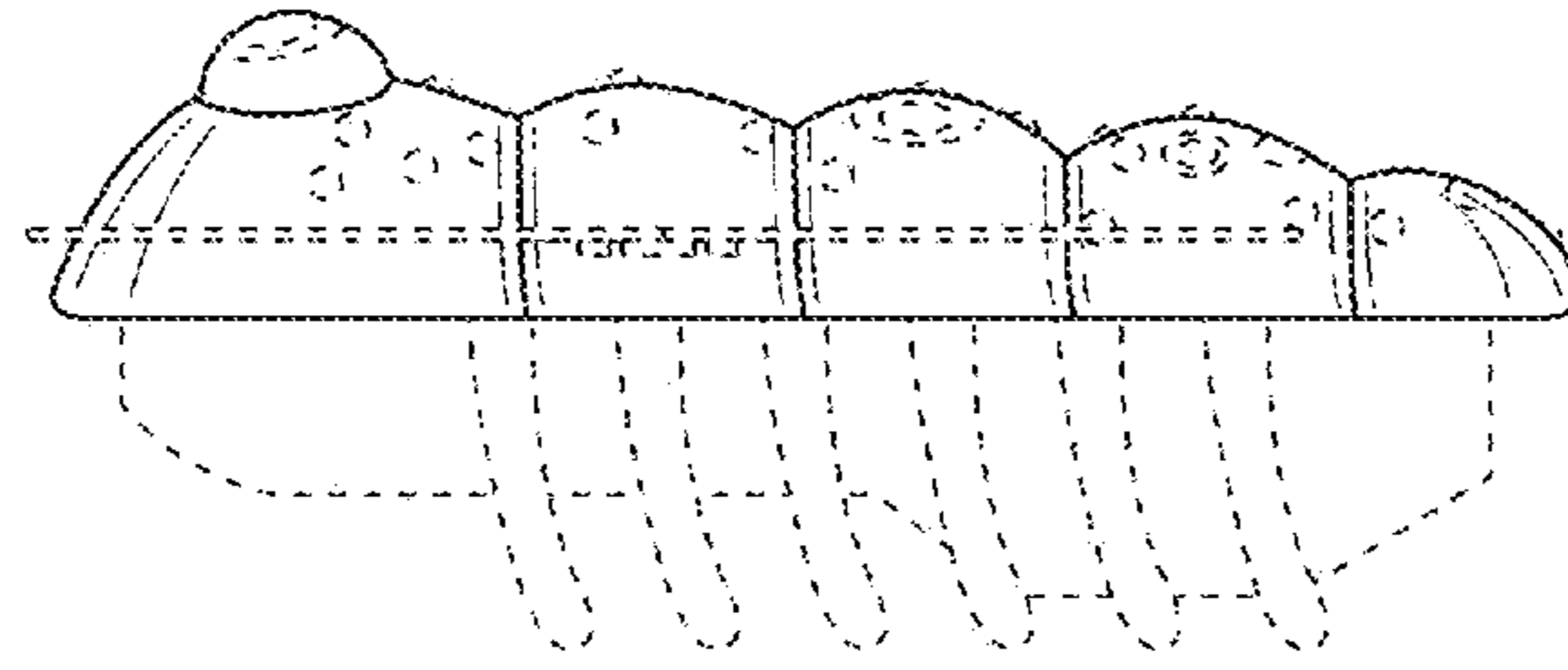


FIG. 10

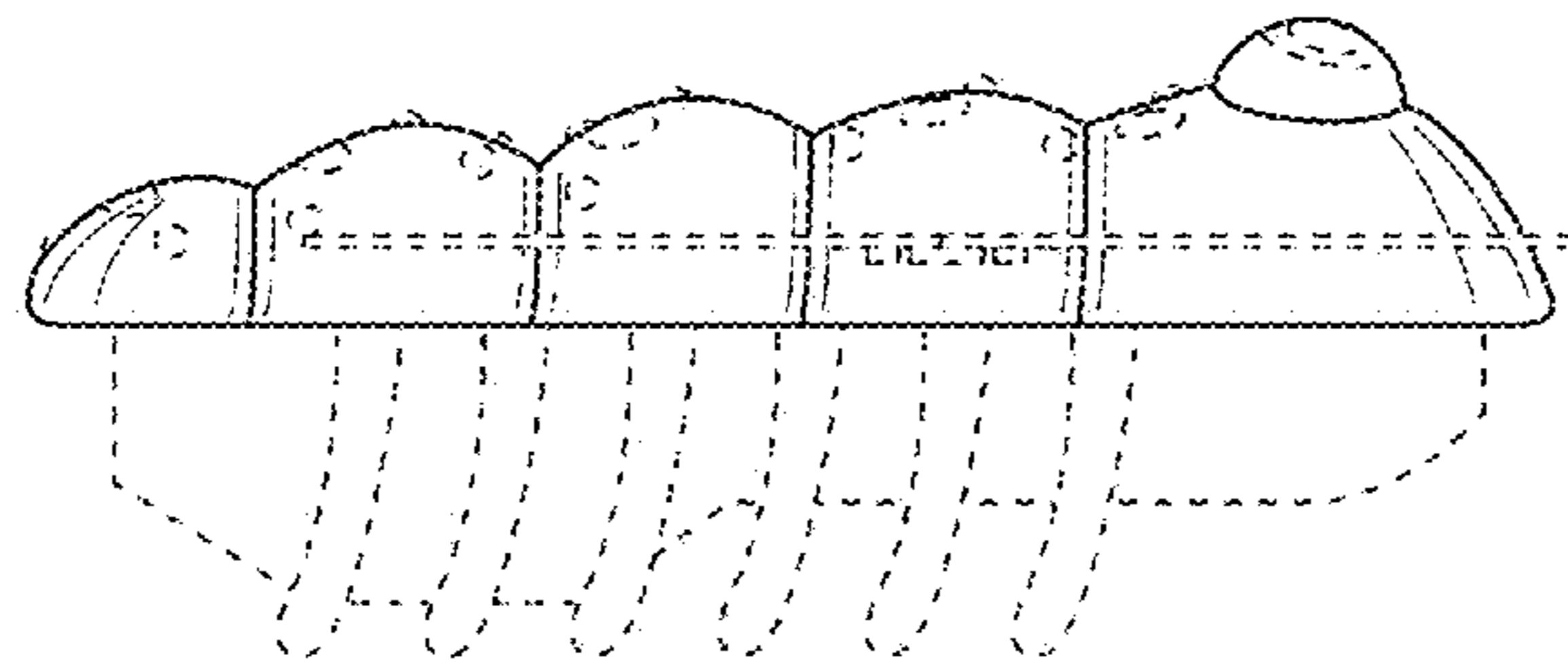


FIG. 11

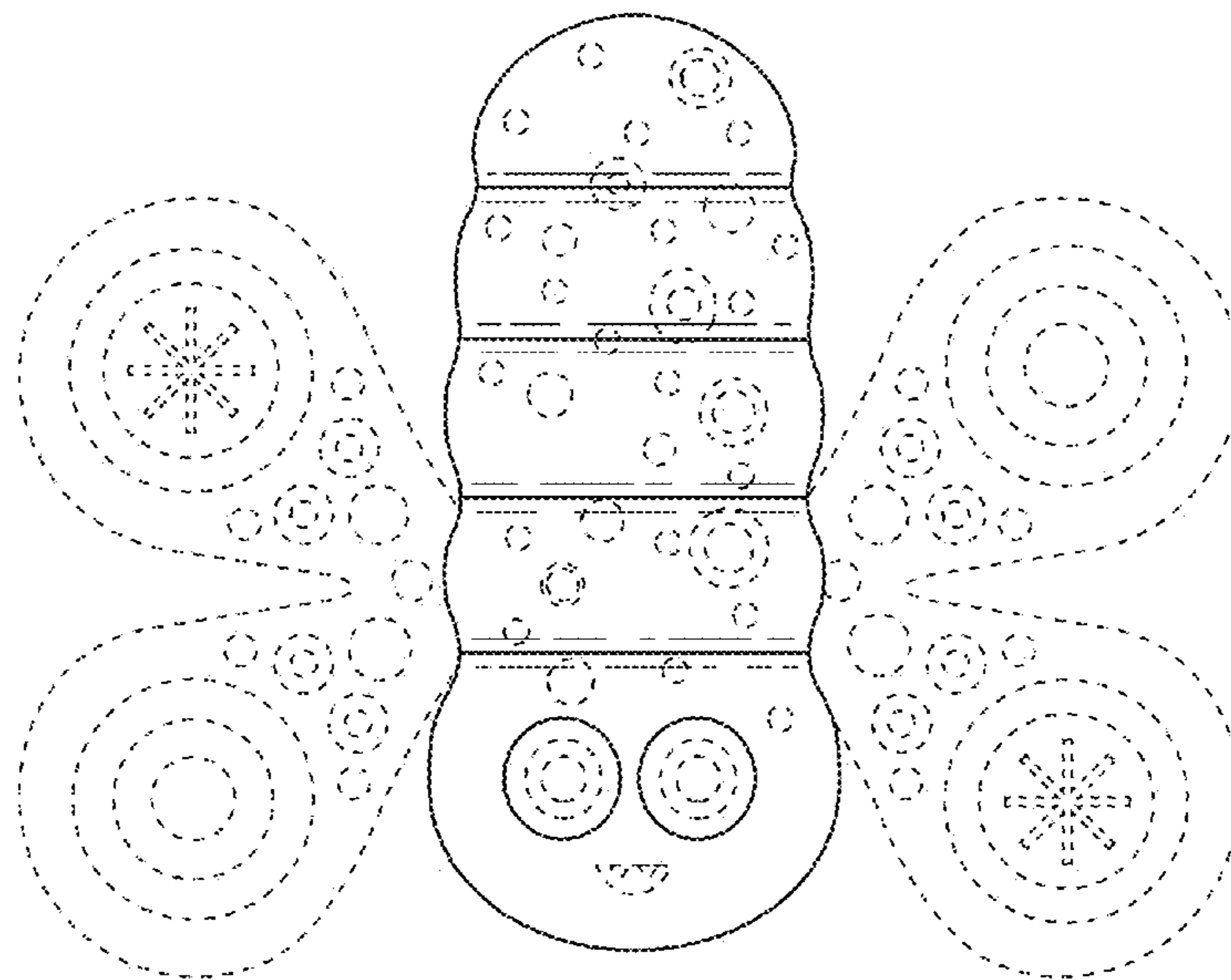


FIG. 12