



US00D710190S

(12) **United States Design Patent**
Weger et al.

(10) **Patent No.:** **US D710,190 S**

(45) **Date of Patent:** **** Aug. 5, 2014**

(54) **CUSHION INSERT FOR A TUBING CLAMP**

(71) Applicant: **ZSI, Inc.**, Canton, MI (US)

(72) Inventors: **Kris Weger**, Plymouth, MI (US); **Marc Craig**, Brighton, MI (US)

(73) Assignee: **ZSI, Incorporated**, Canton, MI (US)

(**) Term: **14 Years**

(21) Appl. No.: **29/482,502**

(22) Filed: **Feb. 19, 2014**

Related U.S. Application Data

(62) Division of application No. 29/449,359, filed on Mar. 15, 2013, now Pat. No. Des. 702,113.

(51) **LOC (10) Cl.** **08-08**

(52) **U.S. Cl.**
USPC **D8/396**

(58) **Field of Classification Search**
USPC D8/394–396, 356, 383; 24/16 PB,
24/17 AP, 30.5 P, 30.5 S, 300–302, 339,
24/DIG. 16; 248/58, 60, 74.3
See application file for complete search history.

(56) **References Cited**

U.S. PATENT DOCUMENTS

D30,441 S *	3/1899	Wahlert	D8/396
2,470,811 A *	5/1949	Engleman	40/658
D188,377 S *	7/1960	Martin	D13/152
D239,364 S *	3/1976	Mooney et al.	D8/396
D267,810 S *	2/1983	Orsos	D20/43
D270,329 S *	8/1983	Hardy	D8/395
D380,145 S *	6/1997	Rumpel	D8/395
D414,399 S *	9/1999	Nakamura	D8/356
D414,405 S *	9/1999	Tompkins	D8/396

D428,326 S *	7/2000	Nakamura	D8/356
D448,657 S *	10/2001	Calvert	D8/396
D500,897 S *	1/2005	Herman et al.	D29/122
D537,334 S *	2/2007	Lee	D8/396
D559,671 S *	1/2008	Baxter et al.	D8/395
D580,262 S *	11/2008	Eason et al.	D8/396
D652,288 S *	1/2012	Mercier	D8/396

* cited by examiner

Primary Examiner — John Windmuller

(74) *Attorney, Agent, or Firm* — Harness, Dickey & Pierce, P.L.C.

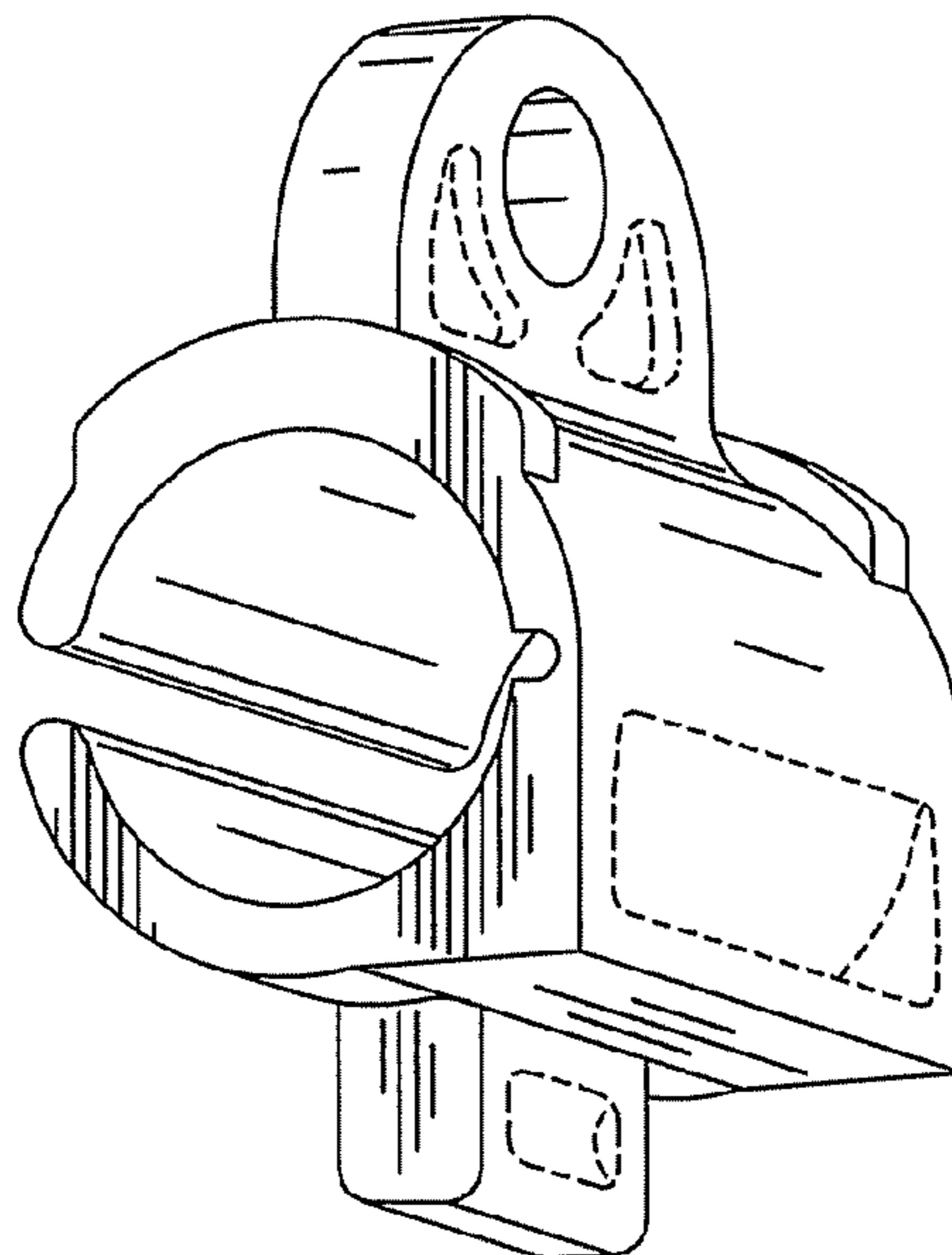
(57) **CLAIM**

The ornamental design for a cushion insert for a tubing clamp, as shown and described.

DESCRIPTION

FIG. 1 is a front perspective view of a cushion insert for a tubing clamp shown in the non-operative position; FIG. 2 is a front elevational view of the cushion insert of FIG. 1, the rear view being a mirror image thereof; FIG. 3 is a top plan view of the cushion insert of FIG. 1; FIG. 4 is a right side elevational view of the cushion insert of FIG. 1; FIG. 5 is a left side elevational view of the cushion insert of FIG. 1; FIG. 6 is a bottom plan view of the cushion insert of FIG. 1; and, FIG. 7 is a left side view of the cushion insert of FIG. 1 shown in the operative position for supporting an elongated member. The broken lines common to FIGS. 1, 4, and 7 depict portions of the insert that form no part of the claimed design. The additional broken lines in FIG. 7 depict environment only and form no part of the claimed design.

1 Claim, 3 Drawing Sheets



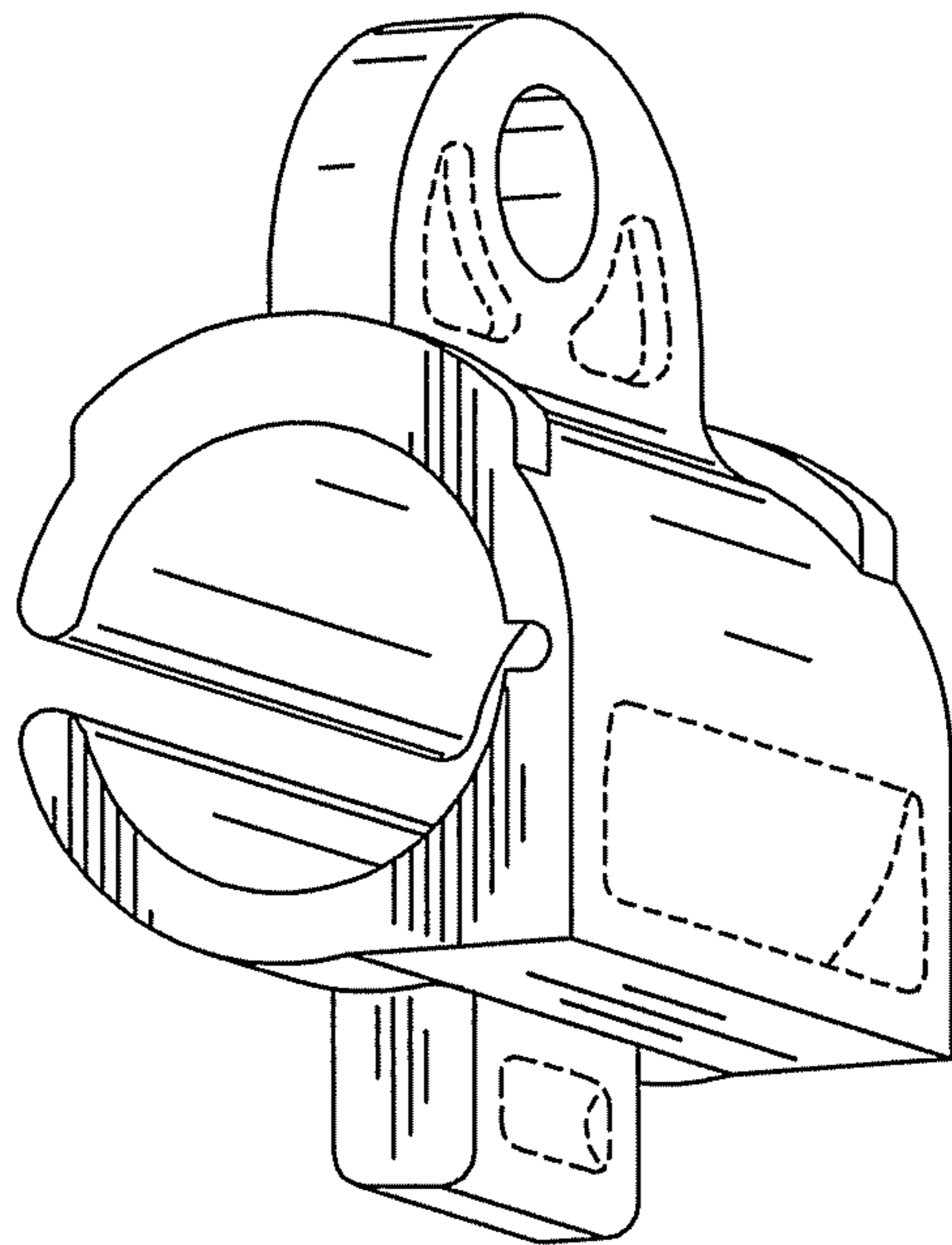


FIG 1

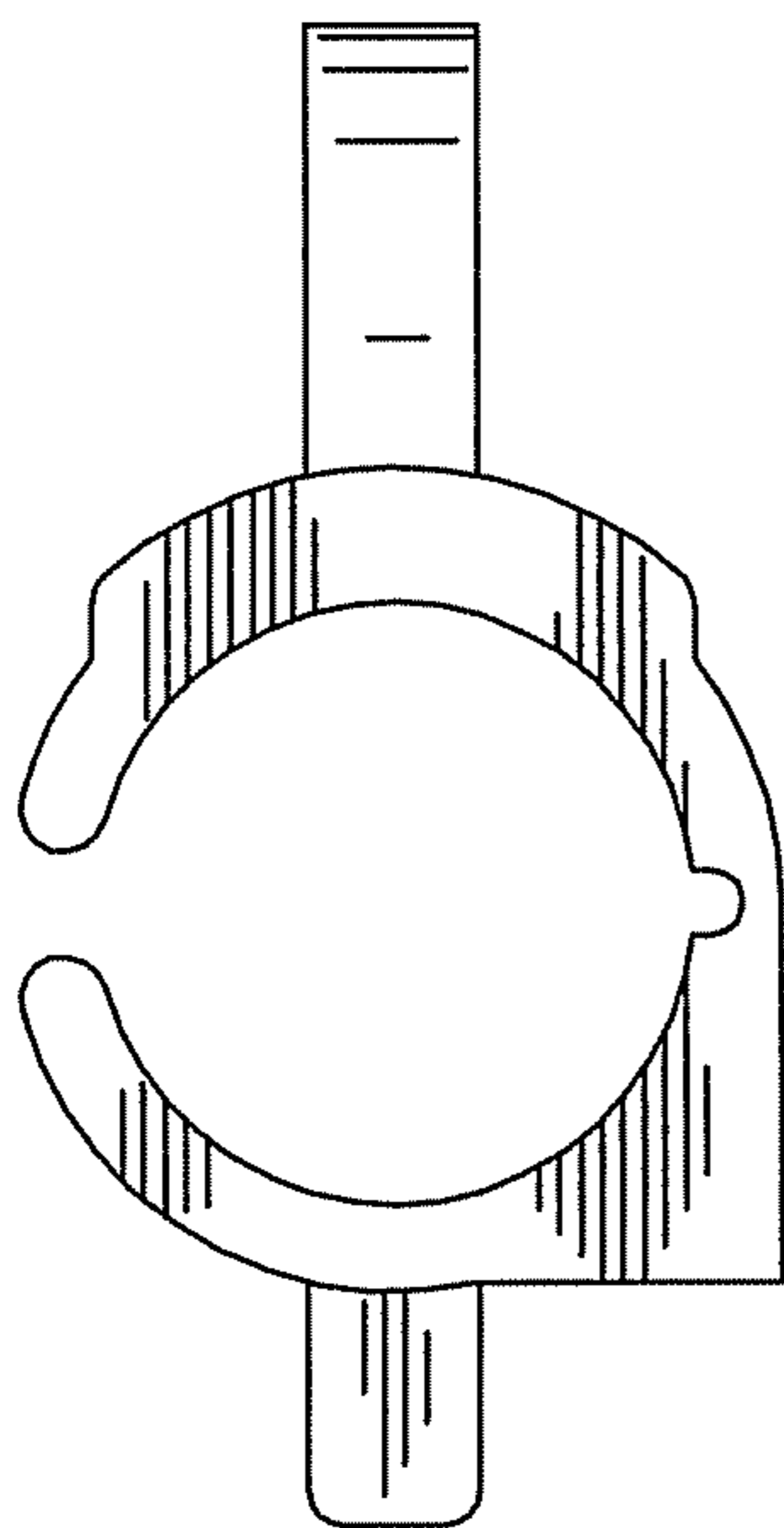


FIG 2

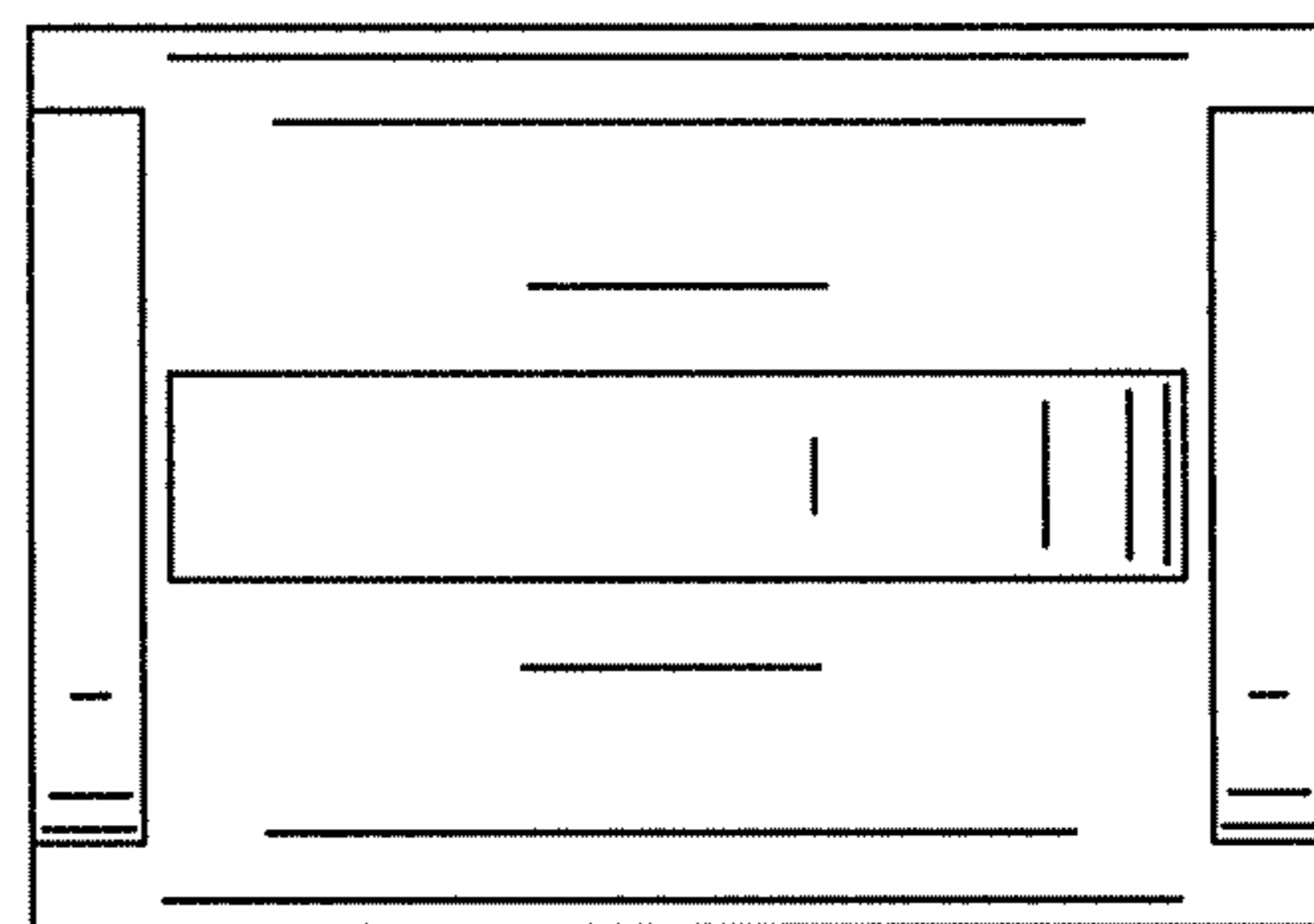


FIG 3

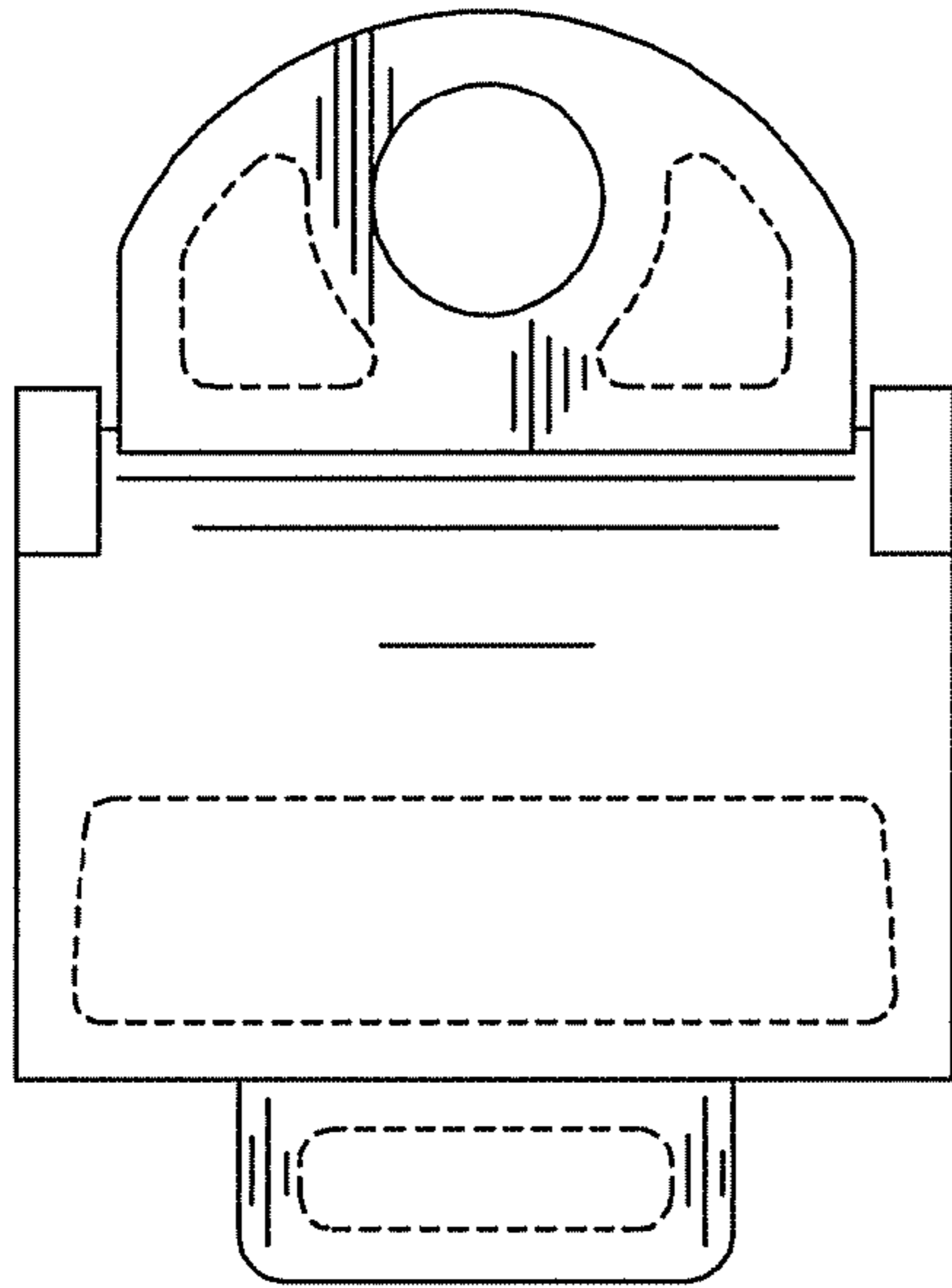


FIG 4

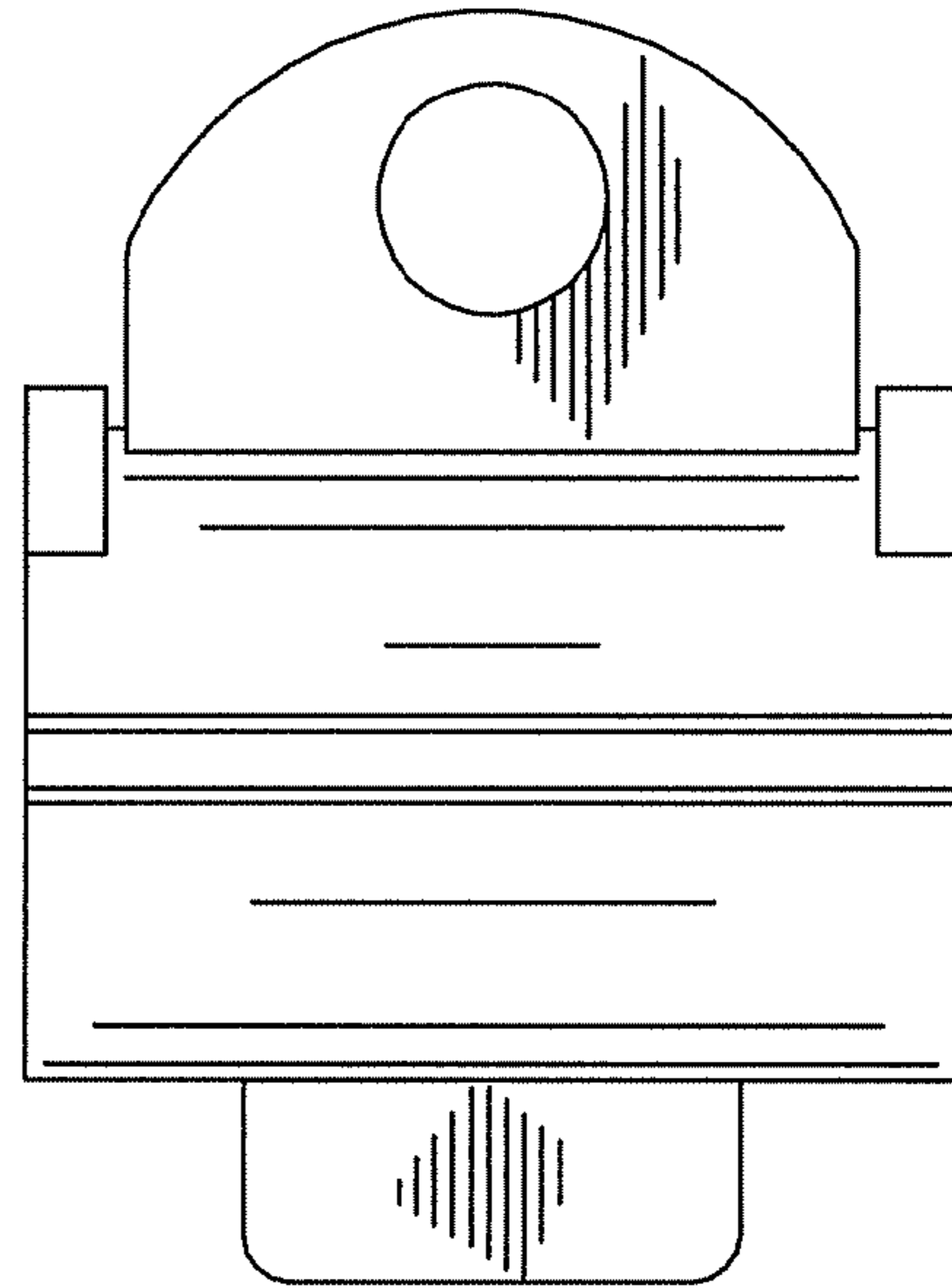


FIG 5

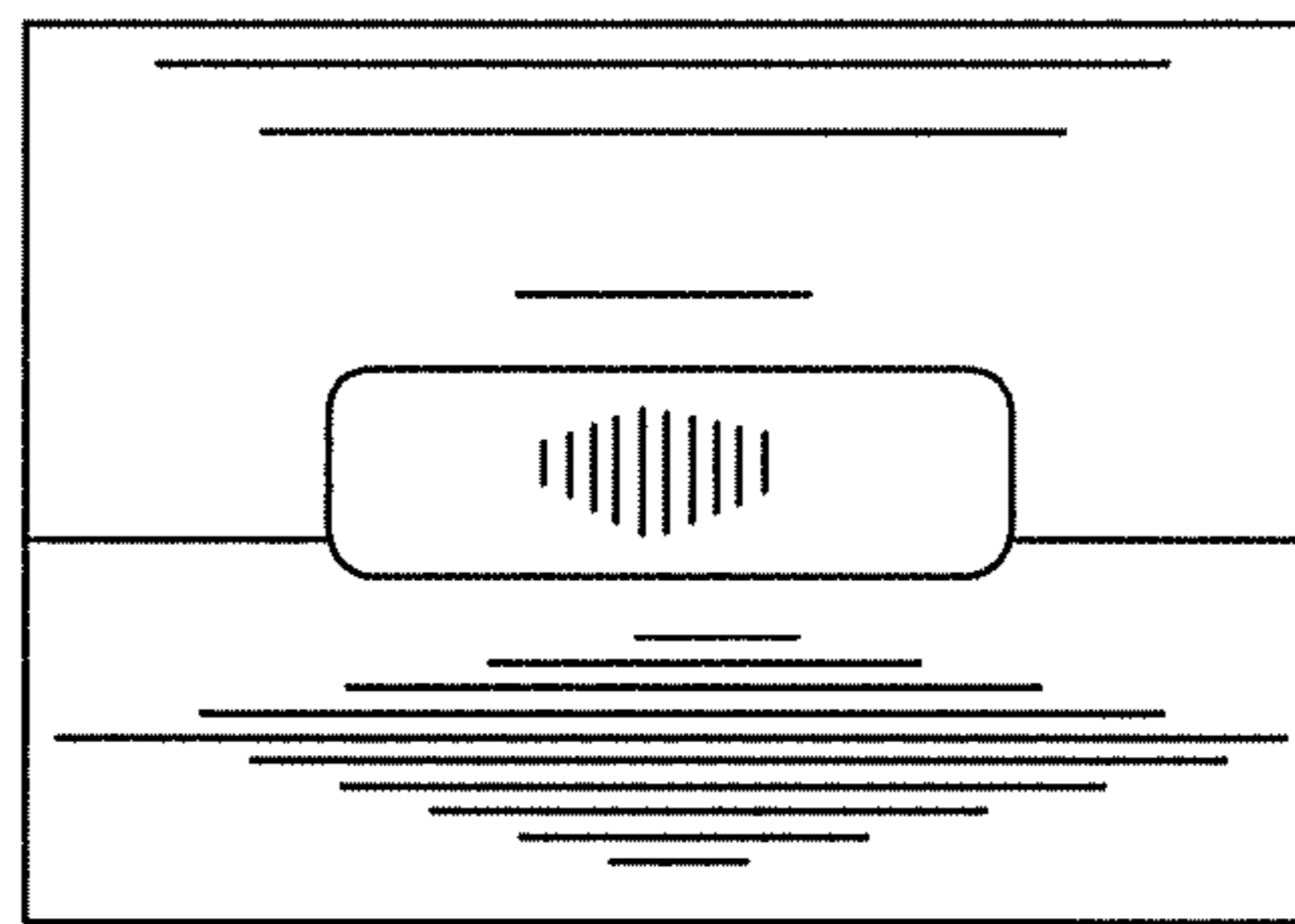


FIG 6

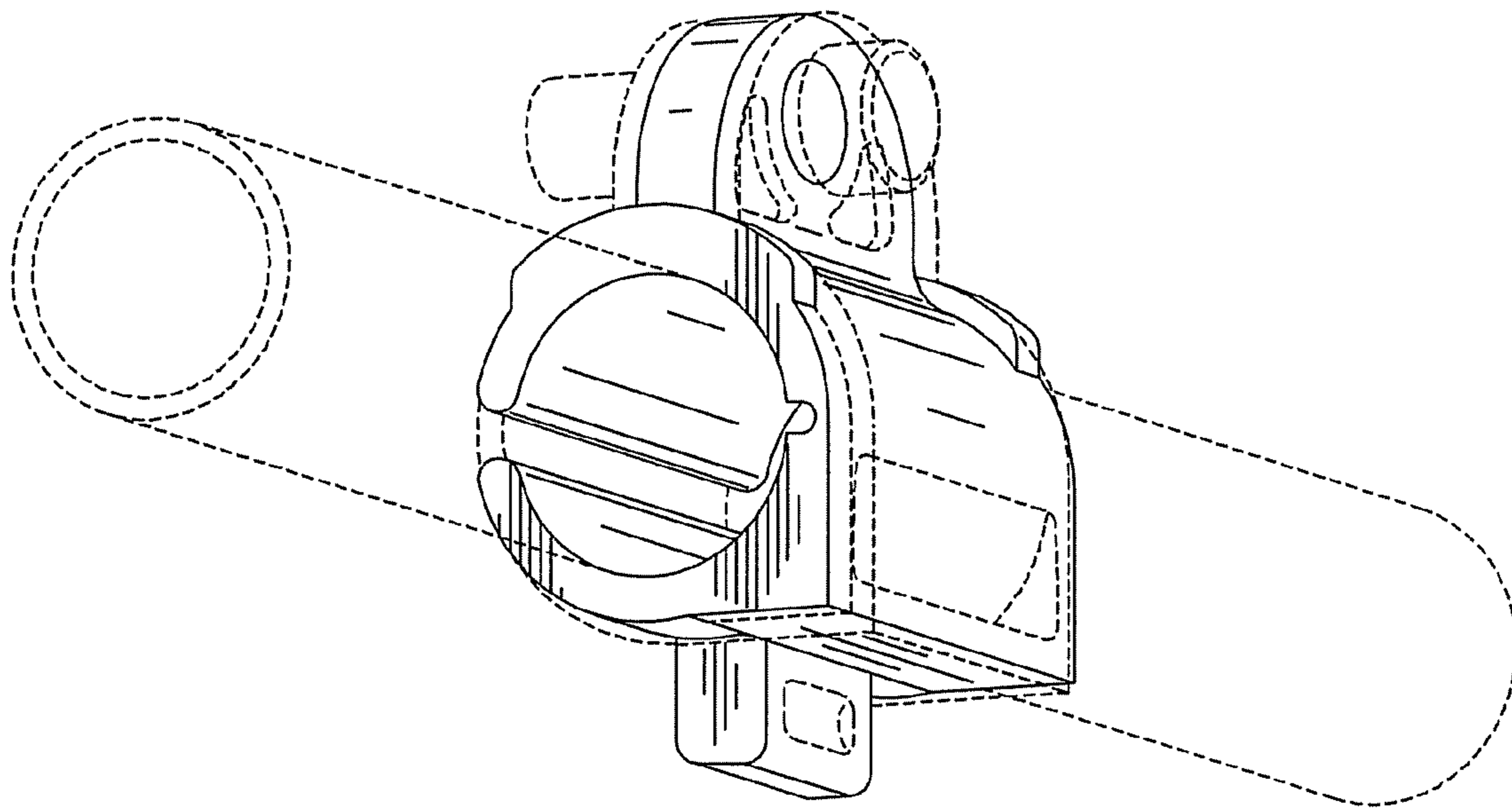


FIG 7