



US00D710189S

(12) **United States Design Patent**  
**Simonds et al.**

(10) **Patent No.:** **US D710,189 S**

(45) **Date of Patent:** **\*\* Aug. 5, 2014**

(54) **T-SPLINE JOINER**

D8/388, 391; 403/170, 171, 176, 217, 292,  
403/298; 446/112, 124, 85

(71) Applicant: **Morphun Research Ltd.**, London (GB)

See application file for complete search history.

(72) Inventors: **Colin Duncan Simonds**, London (GB);  
**Jonathan Christopher Mott**, Surrey  
(GB)

(56) **References Cited**

U.S. PATENT DOCUMENTS

5,938,497 A 8/1999 Mott

*Primary Examiner* — Sheryl Lane

(73) Assignee: **Morphun Research Ltd.**, London (GB)

(74) *Attorney, Agent, or Firm* — Jacobson Holman, PLLC.

(\*\*) Term: **14 Years**

(57) **CLAIM**

(21) Appl. No.: **29/433,686**

We claim the ornamental design for the T-spline joiner, as shown and described.

(22) Filed: **Oct. 3, 2012**

**DESCRIPTION**

(30) **Foreign Application Priority Data**

Apr. 4, 2012 (EP) ..... 002020719

(51) **LOC (10) Cl.** ..... **08-08**

(52) **U.S. Cl.**  
USPC ..... **D8/382; D21/540; D8/349**

(58) **Field of Classification Search**  
USPC ..... D21/540, 484, 561; D8/349, 382, 354,

FIG. 1 is a front perspective view of the T-spline joiner embodying our design;

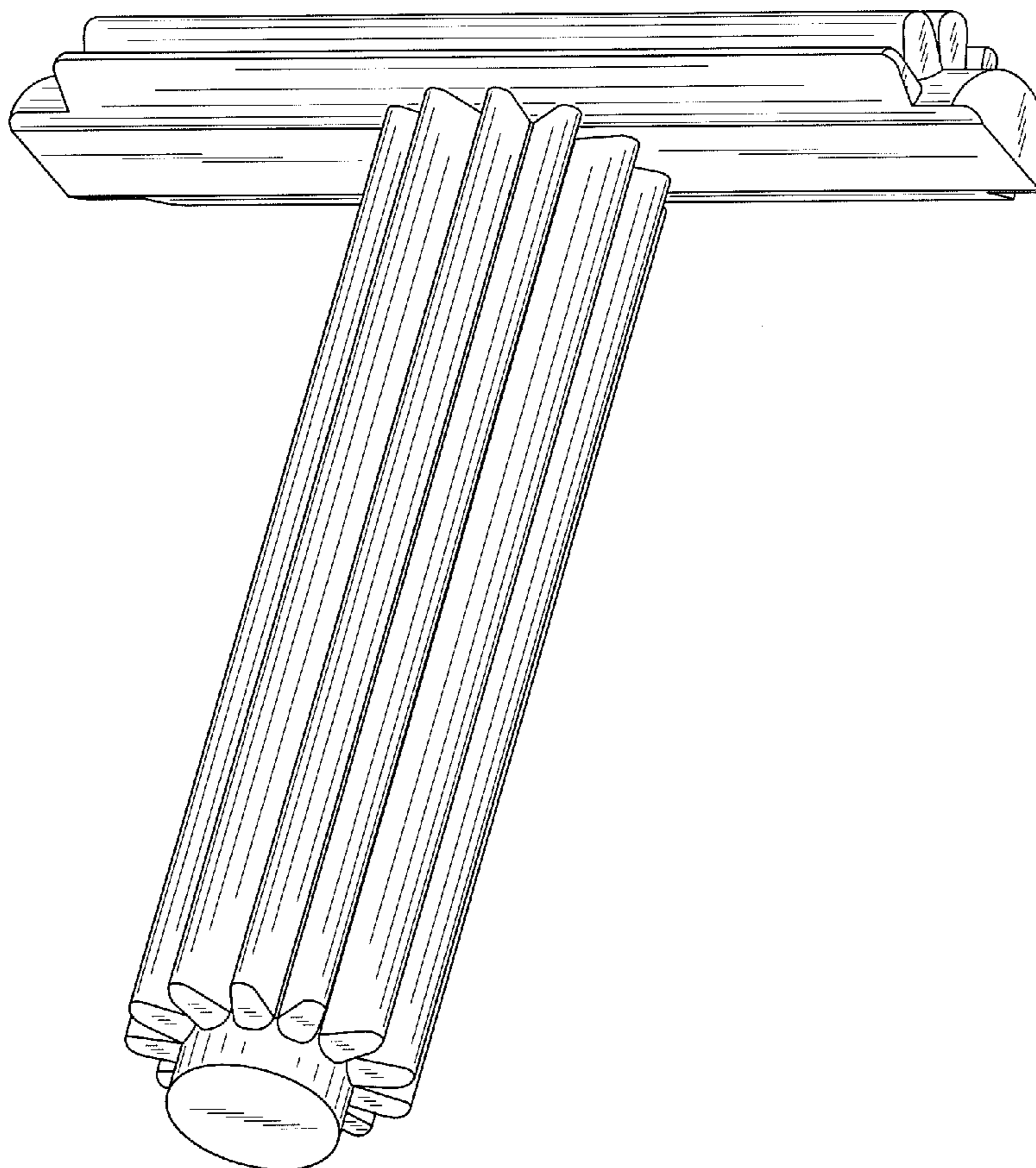
FIG. 2 is a front elevational view of FIG. 1;

FIG. 3 is a side elevational view of FIG. 1, the other side being identical;

FIG. 4 is a top plan view of FIG. 1; and,

FIG. 5 is a bottom view of FIG. 1.

**1 Claim, 4 Drawing Sheets**



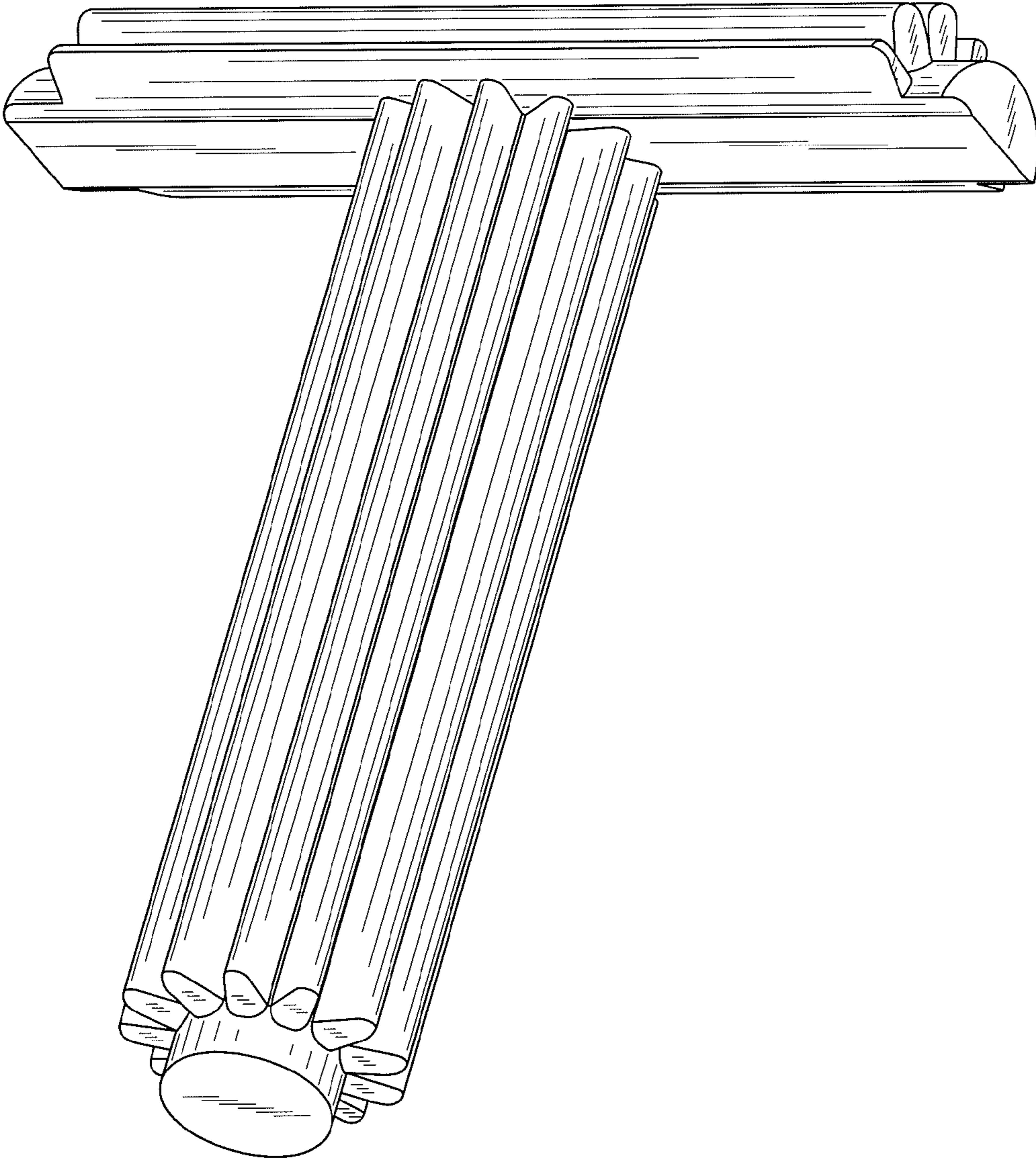


FIG. 1

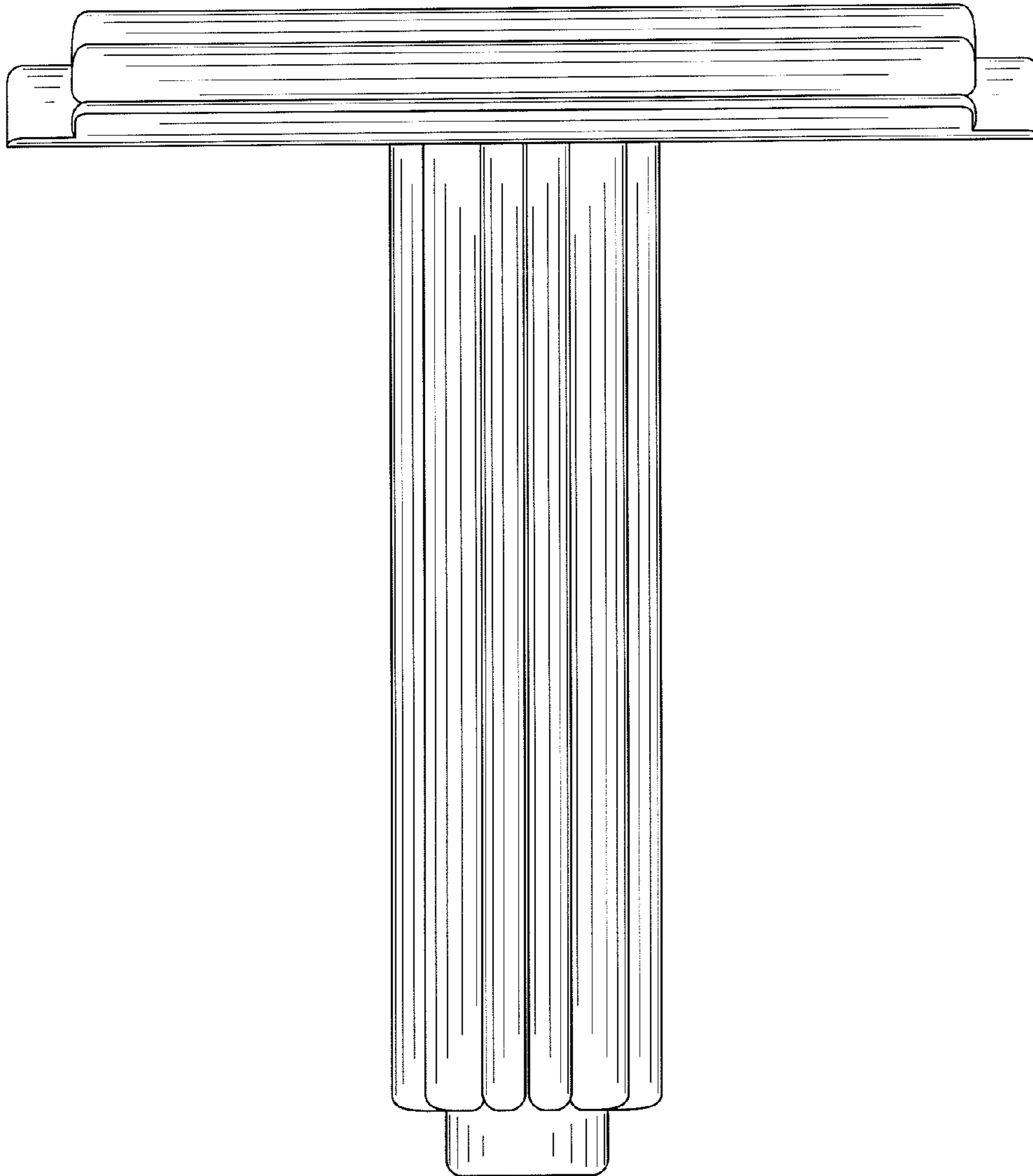


FIG. 2

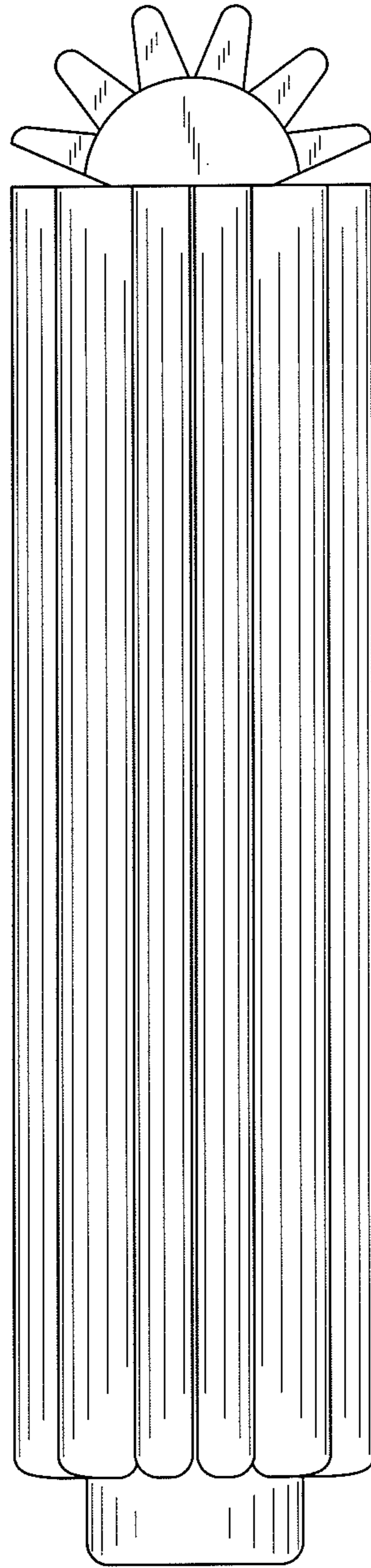


FIG. 3

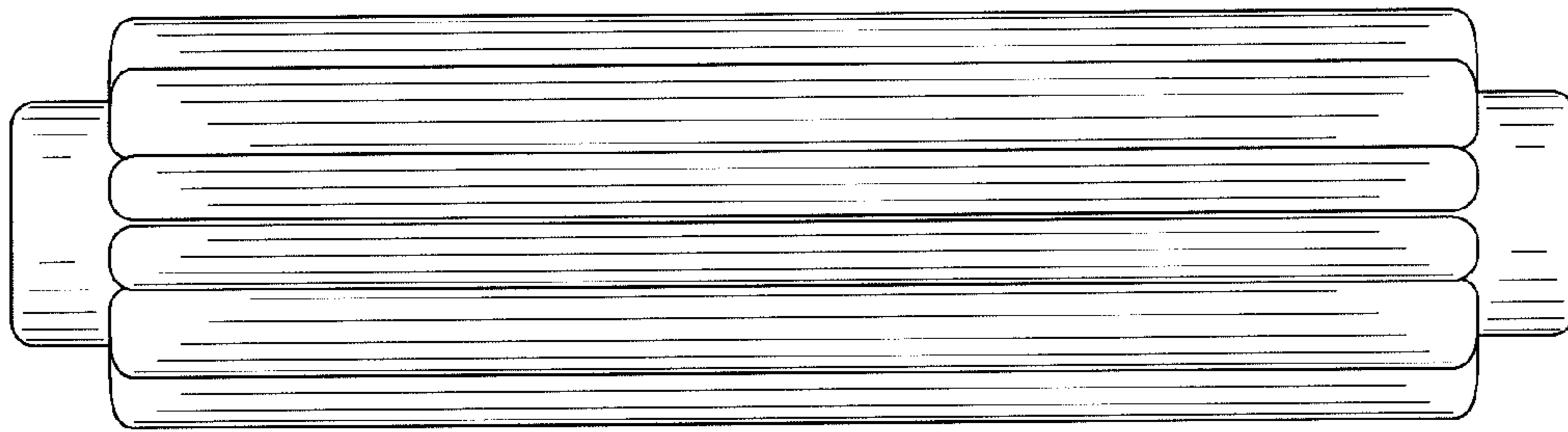


FIG. 4

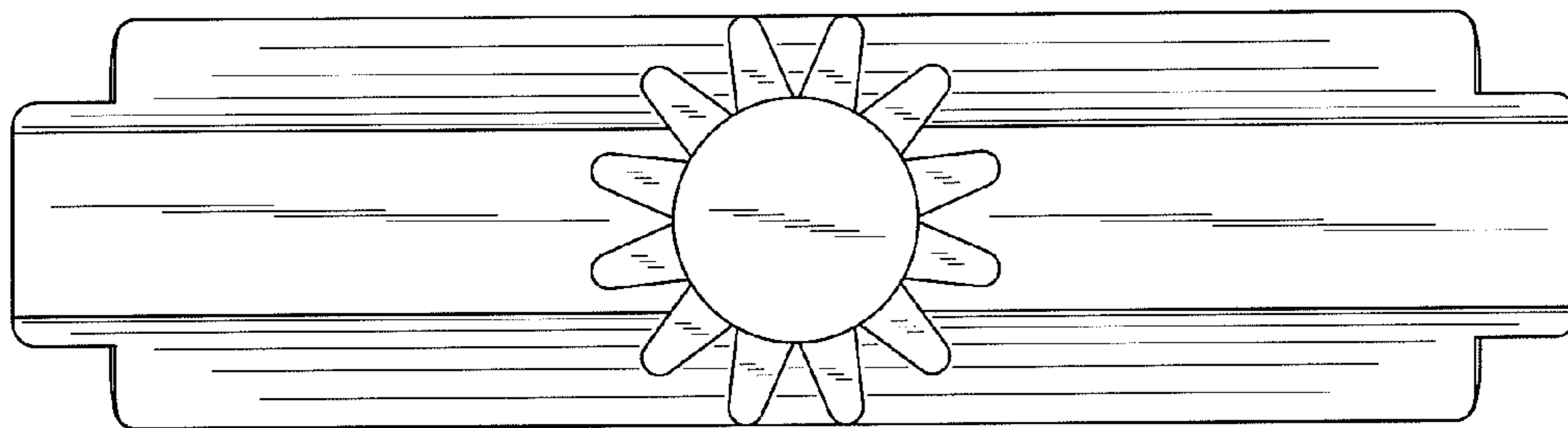


FIG. 5