



US00D710187S

(12) **United States Design Patent**
Grönholm

(10) **Patent No.:** **US D710,187 S**

(45) **Date of Patent:** **** Aug. 5, 2014**

(54) **WHEEL MOUNT**

(75) Inventor: **Jack Grönholm**, Söderkulla (FI)

(73) Assignee: **K. Hartwall Oy AB**, Soderkulla (FI)

(**) Term: **14 Years**

(21) Appl. No.: **29/405,513**

(22) Filed: **Nov. 3, 2011**

(30) **Foreign Application Priority Data**

May 4, 2011 (EM) 001859349

(51) **LOC (10) CL.** **08-05**

(52) **U.S. CL.**
USPC **D8/375**

(58) **Field of Classification Search**
USPC D8/354, 375; 16/35 R, 18 R, 35 D, 45,
16/46, 29; D3/318; D34/27

See application file for complete search history.

(56) **References Cited**

U.S. PATENT DOCUMENTS

D573,010	S	*	7/2008	Lin	D8/375
D594,316	S	*	6/2009	Rhein et al.	D8/375
7,926,145	B2	*	4/2011	Liao	16/35 R
2009/0276977	A1	*	11/2009	Liao	16/35 R

* cited by examiner

Primary Examiner — Susan Bennett Hattan

Assistant Examiner — Eliza Bennett-Hattan

(74) *Attorney, Agent, or Firm* — Birch, Stewart, Kolasch & Birch, LLP

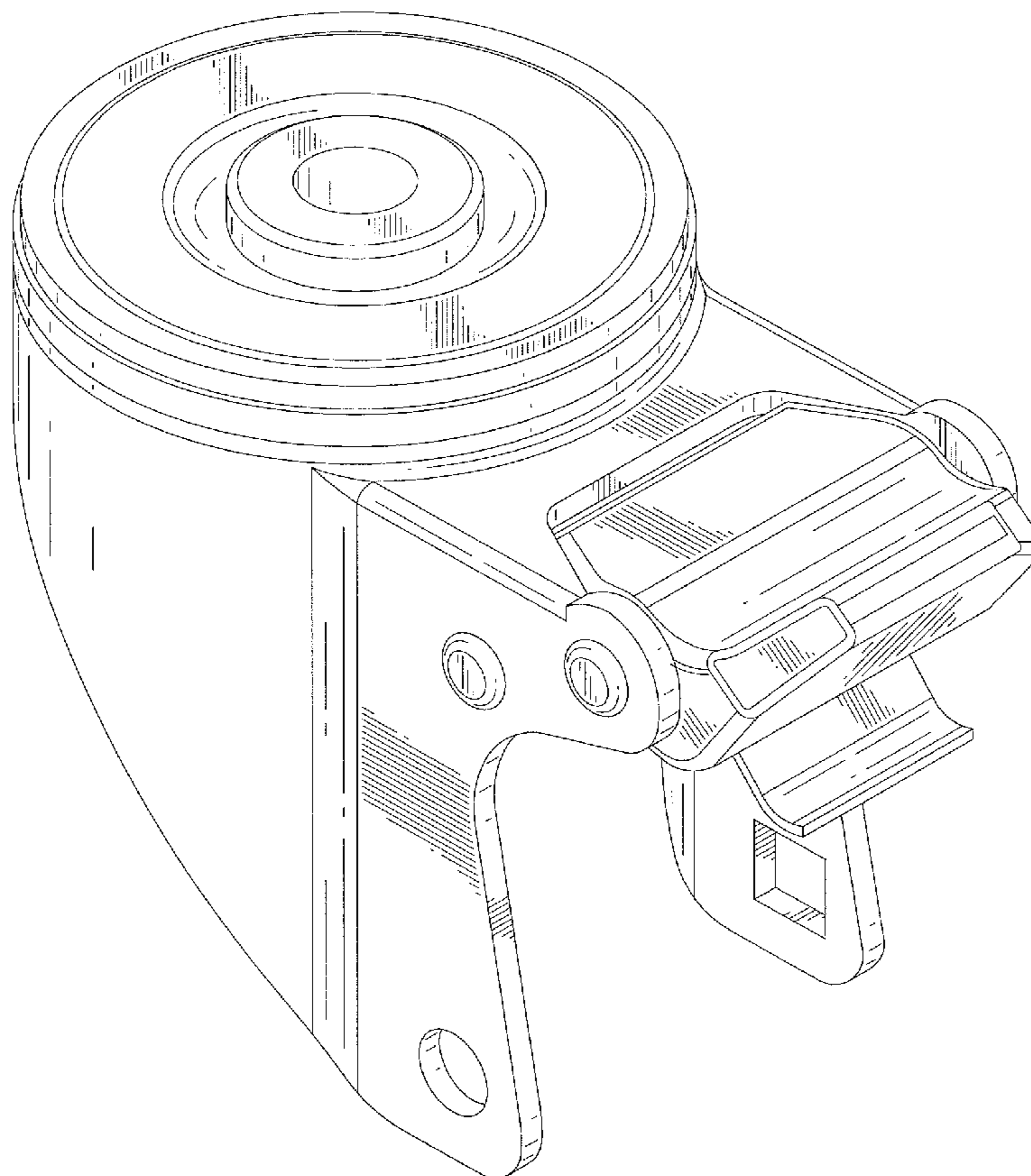
(57) **CLAIM**

The ornamental design for a wheel mount, as shown and described.

DESCRIPTION

FIG. 1 is a perspective view of a wheel mount showing my new design;
FIG. 2 is a left elevational view thereof;
FIG. 3 is a right elevational view thereof;
FIG. 4 is a top plan view thereof;
FIG. 5 is a back plan view thereof;
FIG. 6 is a bottom view thereof; and,
FIG. 7 is a front elevational view thereof.
The broken lines in the drawings depict environmental subject matter only and form no part of the claimed design.

1 Claim, 7 Drawing Sheets



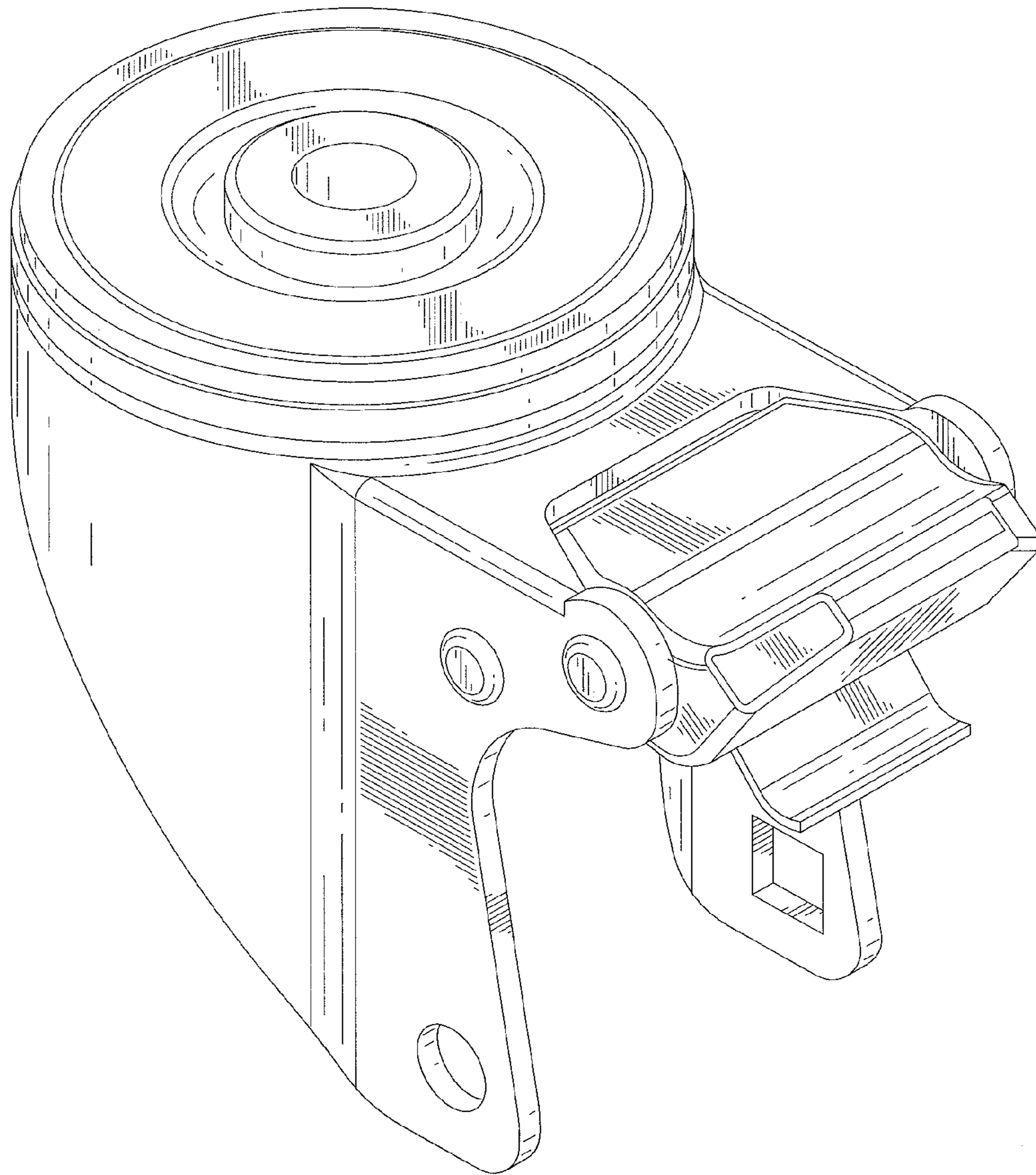


FIG. 1

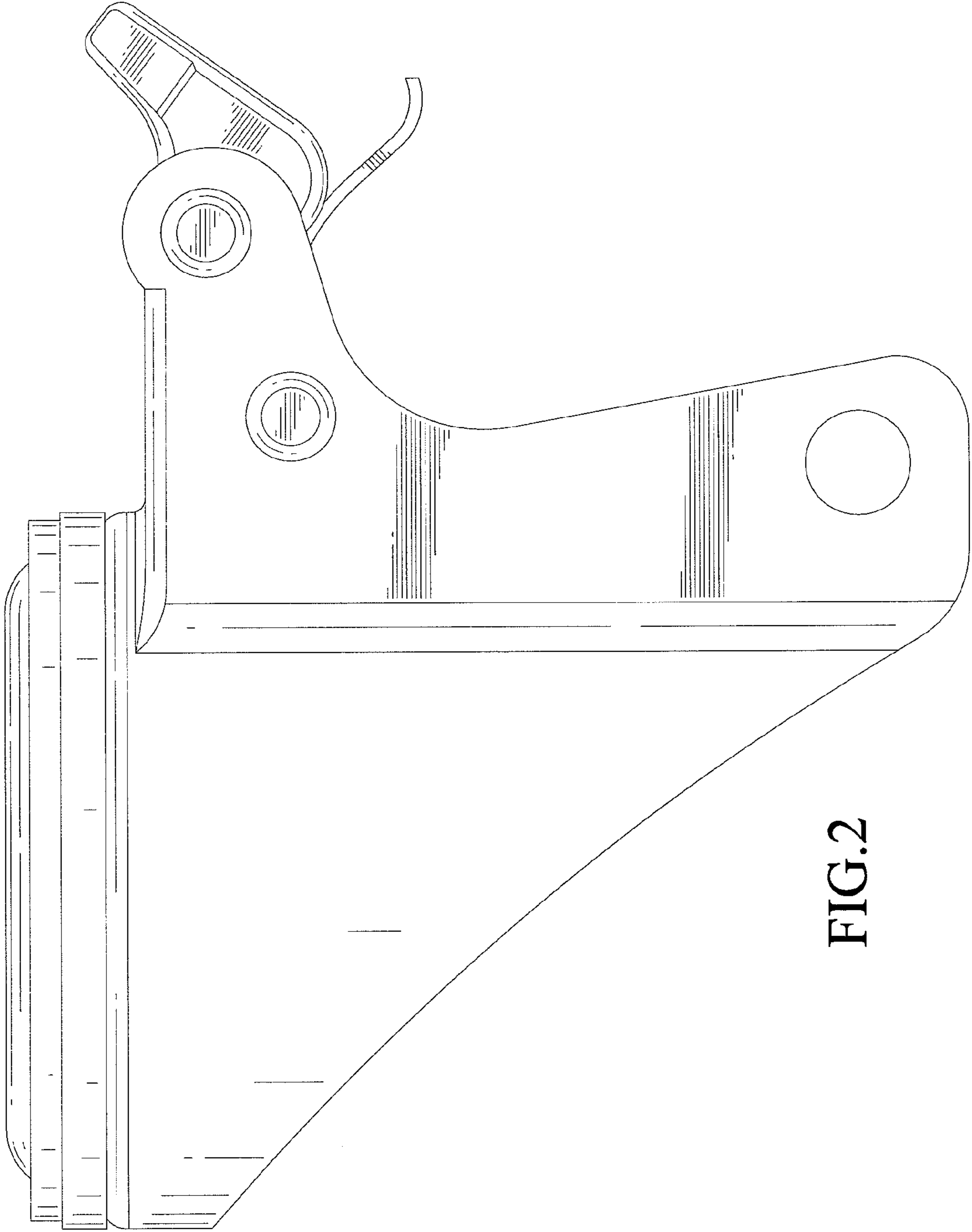


FIG.2

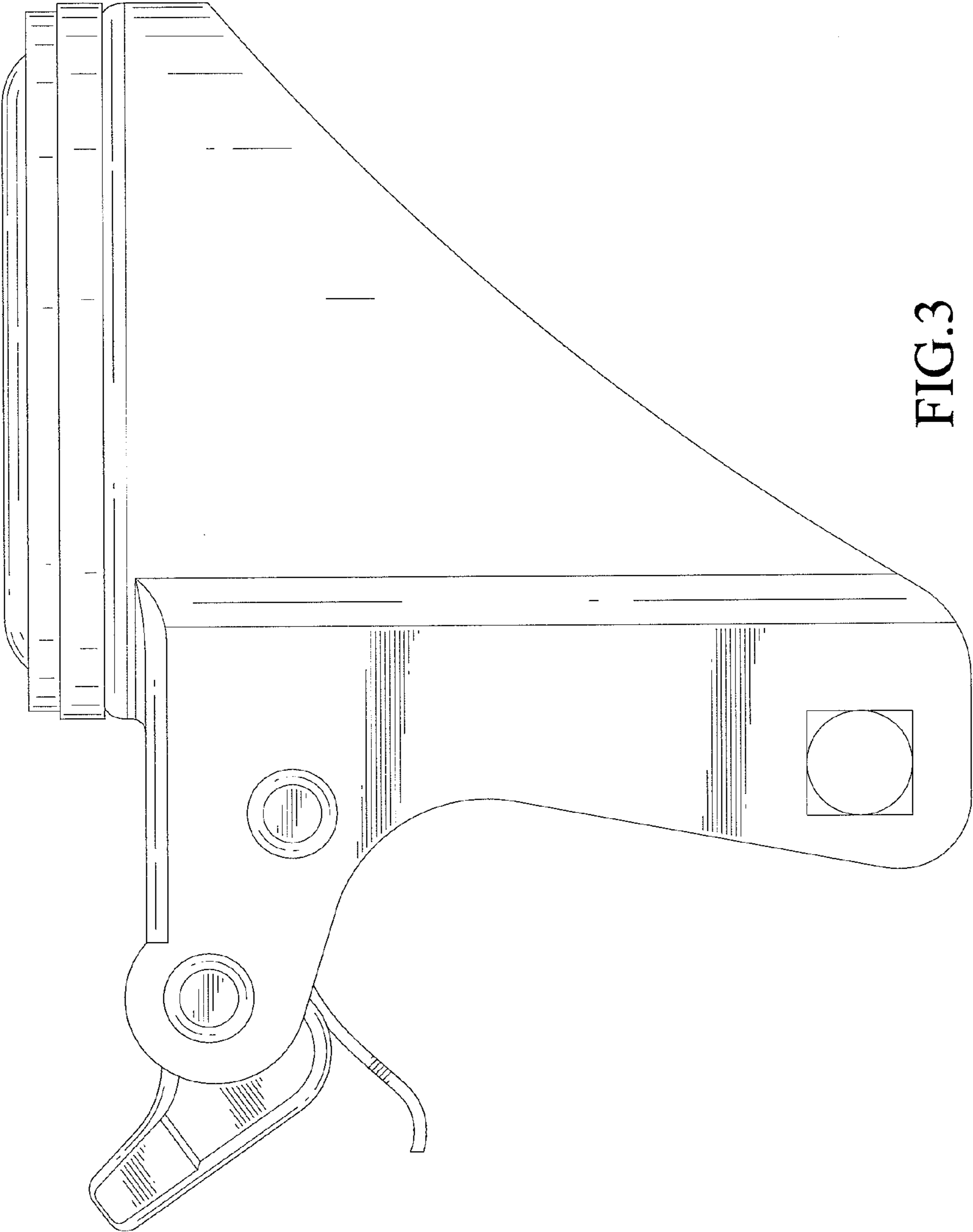


FIG. 3

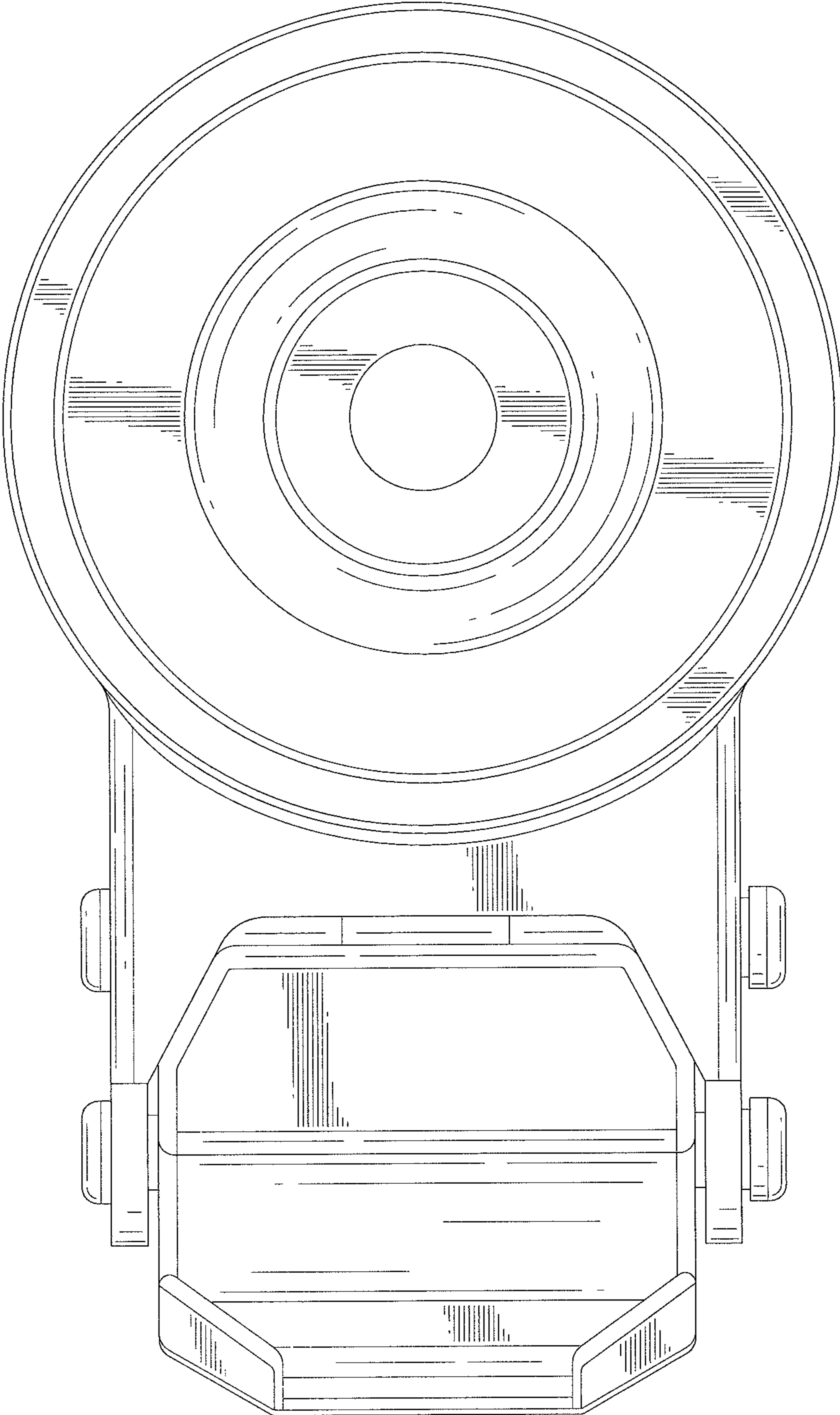


FIG.4

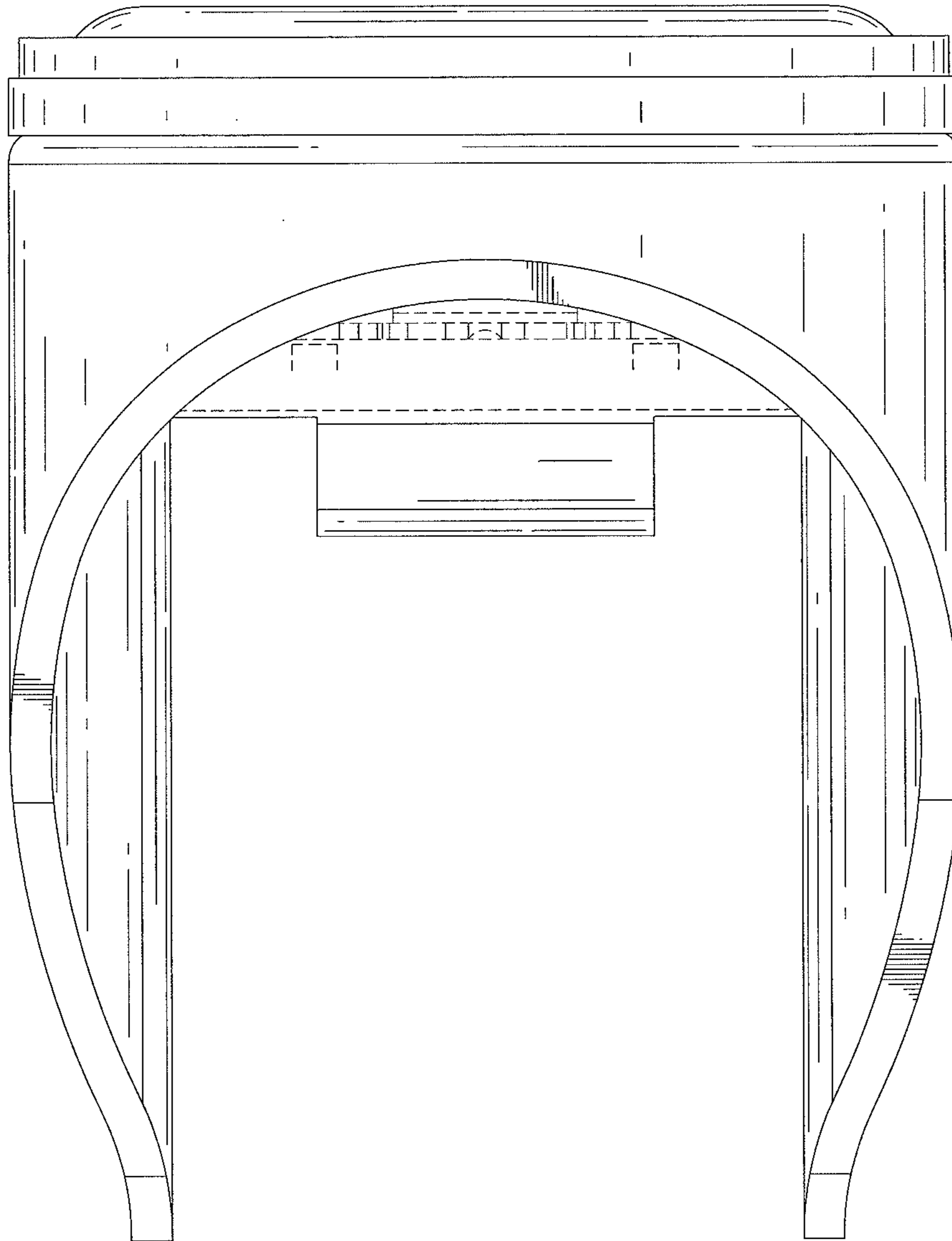


FIG.5

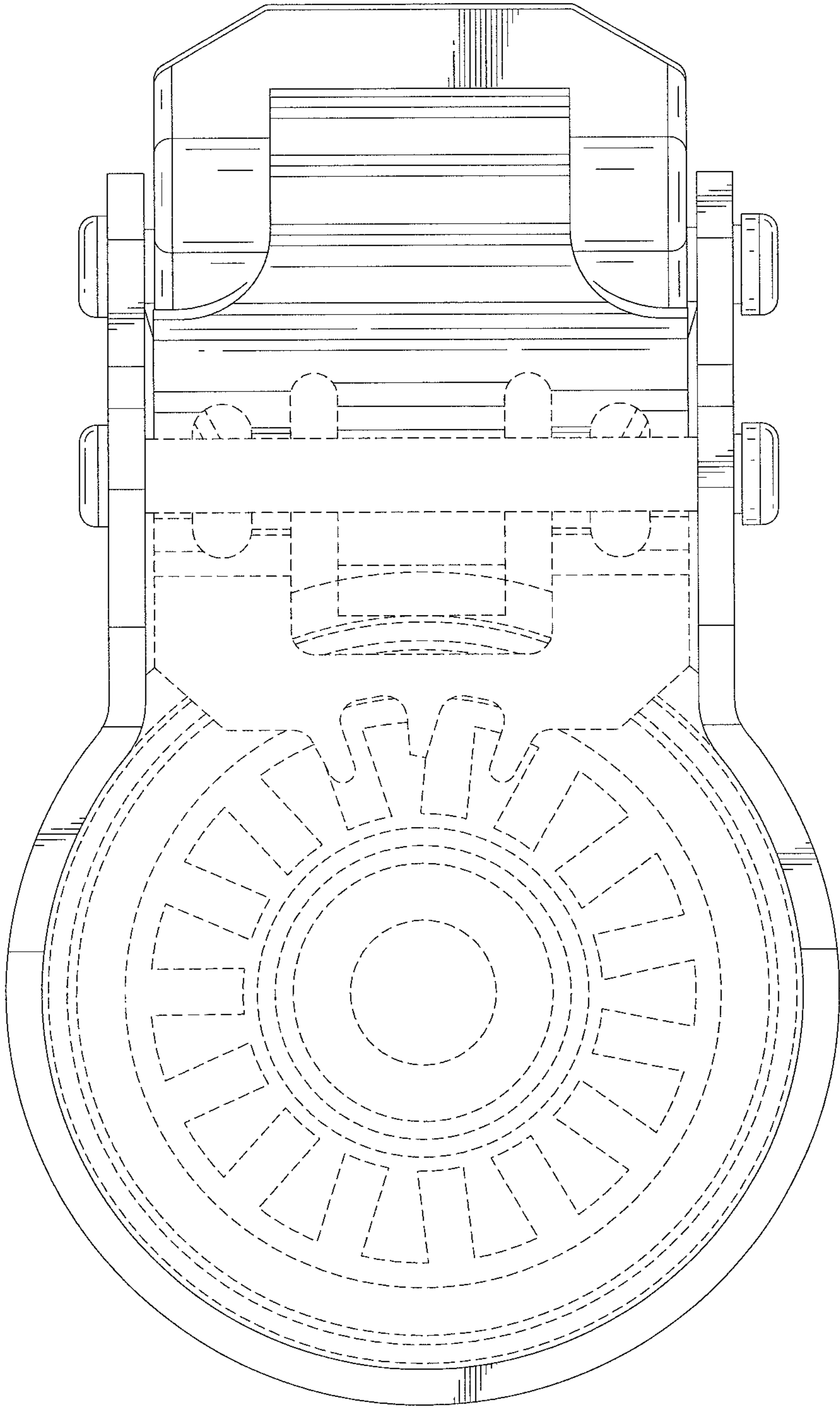


FIG. 6

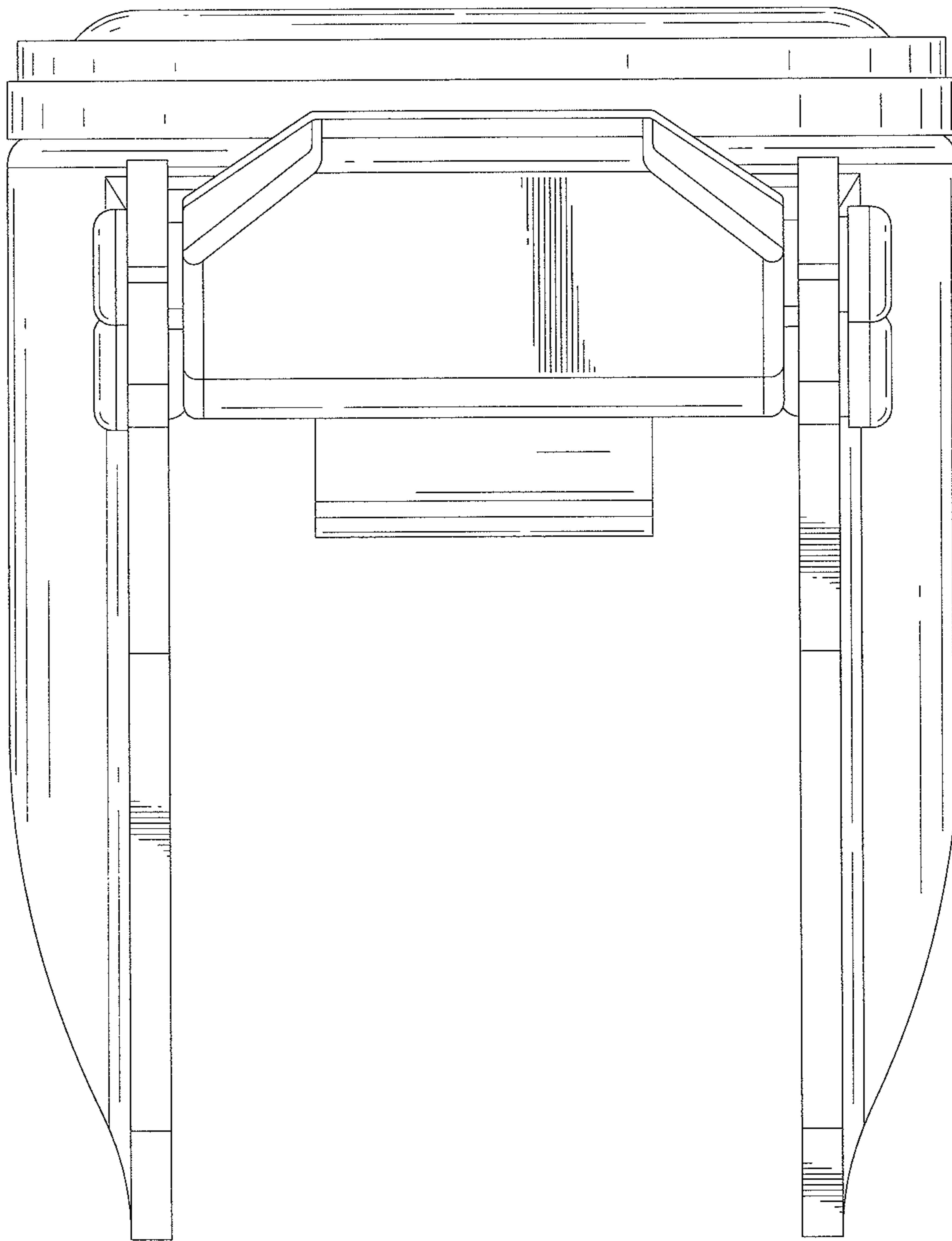


FIG. 7