



US00D710183S

(12) **United States Design Patent**  
**Huddleston**

(10) **Patent No.:** **US D710,183 S**

(45) **Date of Patent:** **\*\* Aug. 5, 2014**

(54) **UNIVERSAL STORM PANEL LOCKING  
DEVICE**

(71) Applicant: **Tammy Lee Huddleston**, Vero Beach,  
FL (US)

(72) Inventor: **Tammy Lee Huddleston**, Vero Beach,  
FL (US)

(\*\*) Term: **14 Years**

(21) Appl. No.: **29/456,107**

(22) Filed: **May 29, 2013**

(51) **LOC (10) Cl.** ..... **08-07**

(52) **U.S. Cl.**  
USPC ..... **D8/339**

(58) **Field of Classification Search**  
USPC ..... D8/330, 331, 339-342, 349, 367, 400;  
70/14, 19, 57, 57.1, 58, 51, 52, 199,  
70/237, 240, 431, 288, 94, 99; 292/92,  
292/339, 259 R, 259 A, 57, 262, 273, 305,  
292/306, DIG. 47; 49/57, 61, 62, 303,  
49/463-466

See application file for complete search history.

(56) **References Cited**

**U.S. PATENT DOCUMENTS**

3,147,081 A \* 9/1964 Stevenson et al. .... 436/68  
4,021,063 A \* 5/1977 Porter ..... 292/67  
D267,698 S \* 1/1983 Domes ..... D8/341  
D268,478 S \* 4/1983 Domes ..... D8/341

D275,550 S \* 9/1984 Johnson et al. .... D8/331  
4,997,219 A \* 3/1991 Carter ..... 292/153  
D351,985 S \* 11/1994 Victor ..... D8/331  
5,868,015 A \* 2/1999 Eaker ..... 70/129  
D441,271 S \* 5/2001 Uter ..... D8/331  
D489,243 S \* 5/2004 Thorp ..... D8/331  
D540,150 S \* 4/2007 Wilson et al. .... D8/339

\* cited by examiner

*Primary Examiner* — Prabhakar Deshmukh

(74) *Attorney, Agent, or Firm* — IDP Patent Services; Otav  
M. Underdal

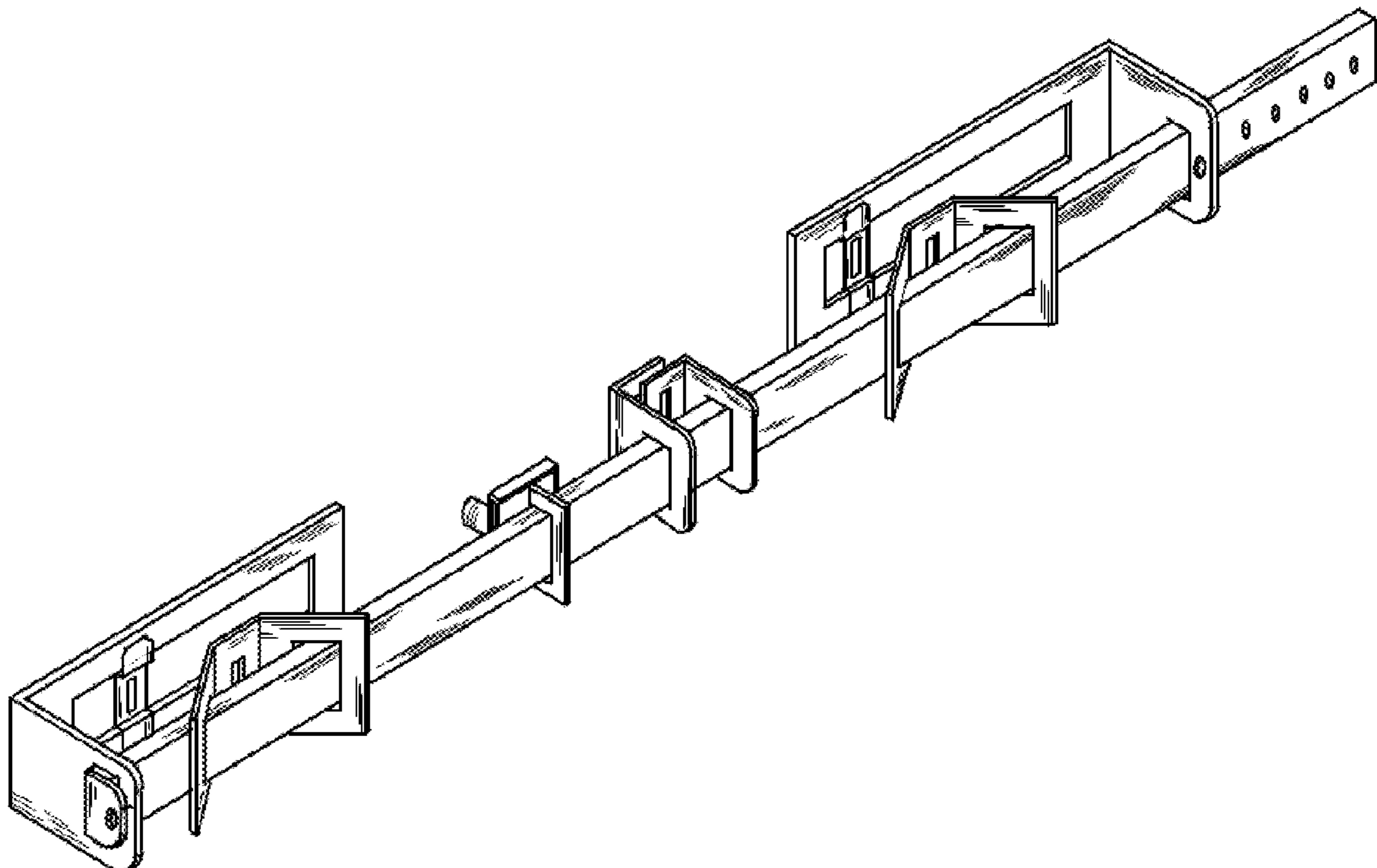
(57) **CLAIM**

The ornamental design for a universal storm panel locking  
device, as shown and described.

**DESCRIPTION**

FIG. 1 is a front perspective view of a universal storm panel  
locking device;  
FIG. 2 is a front perspective view thereof, shown in environ-  
mental use;  
FIG. 3 is a rear perspective view thereof;  
FIG. 4 is an exploded perspective view thereof;  
FIG. 5 is a front elevation view thereof;  
FIG. 6 is a rear elevation view thereof;  
FIG. 7 is a top plain view thereof, the bottom plan view being  
a mirror image thereof;  
FIG. 8 is a left side elevation view thereof; and,  
FIG. 9 is a right side elevation view thereof.  
The broken lines show environmental detail only and form no  
part of the claimed design.

**1 Claim, 9 Drawing Sheets**



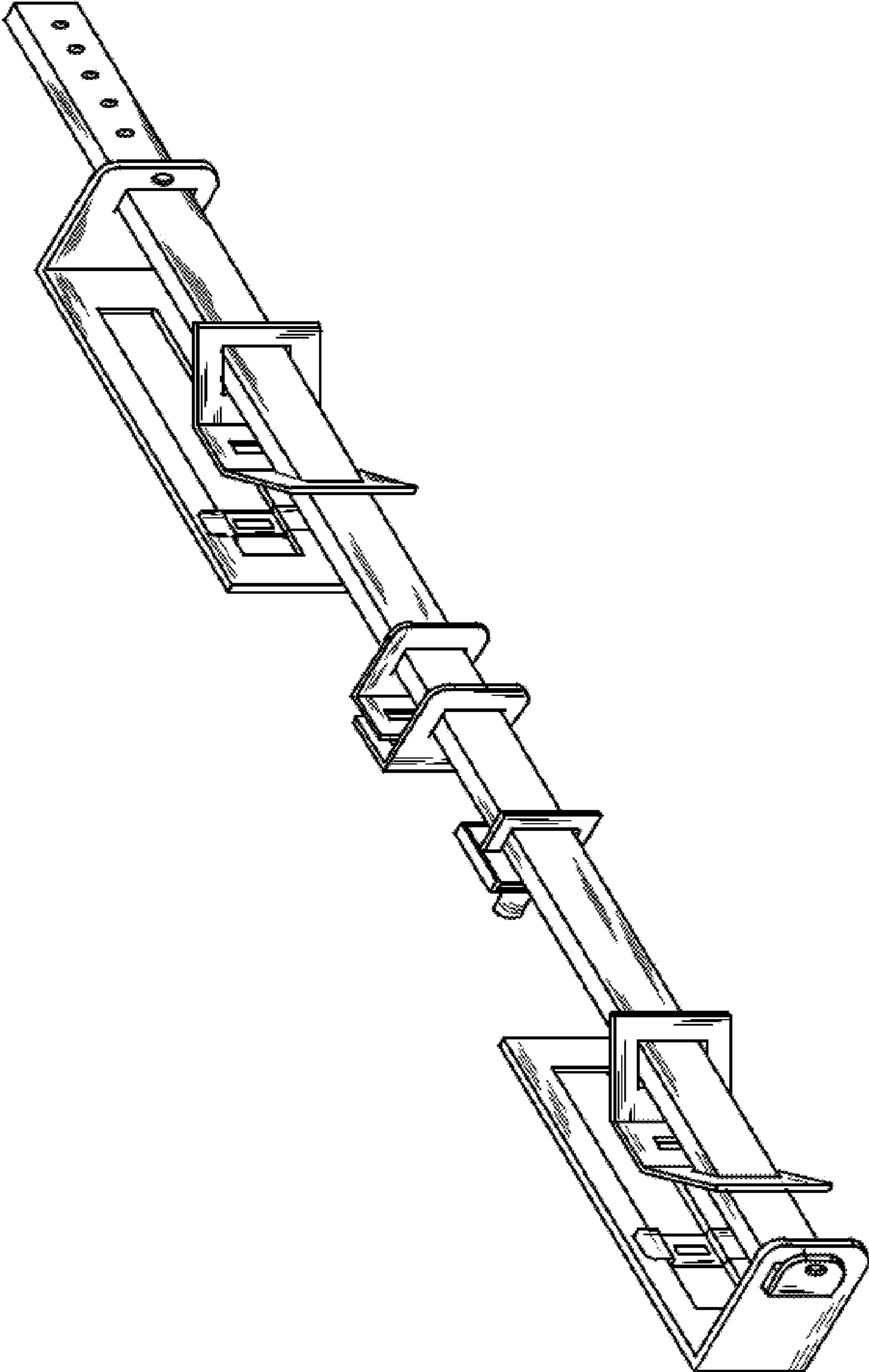


FIG. 1

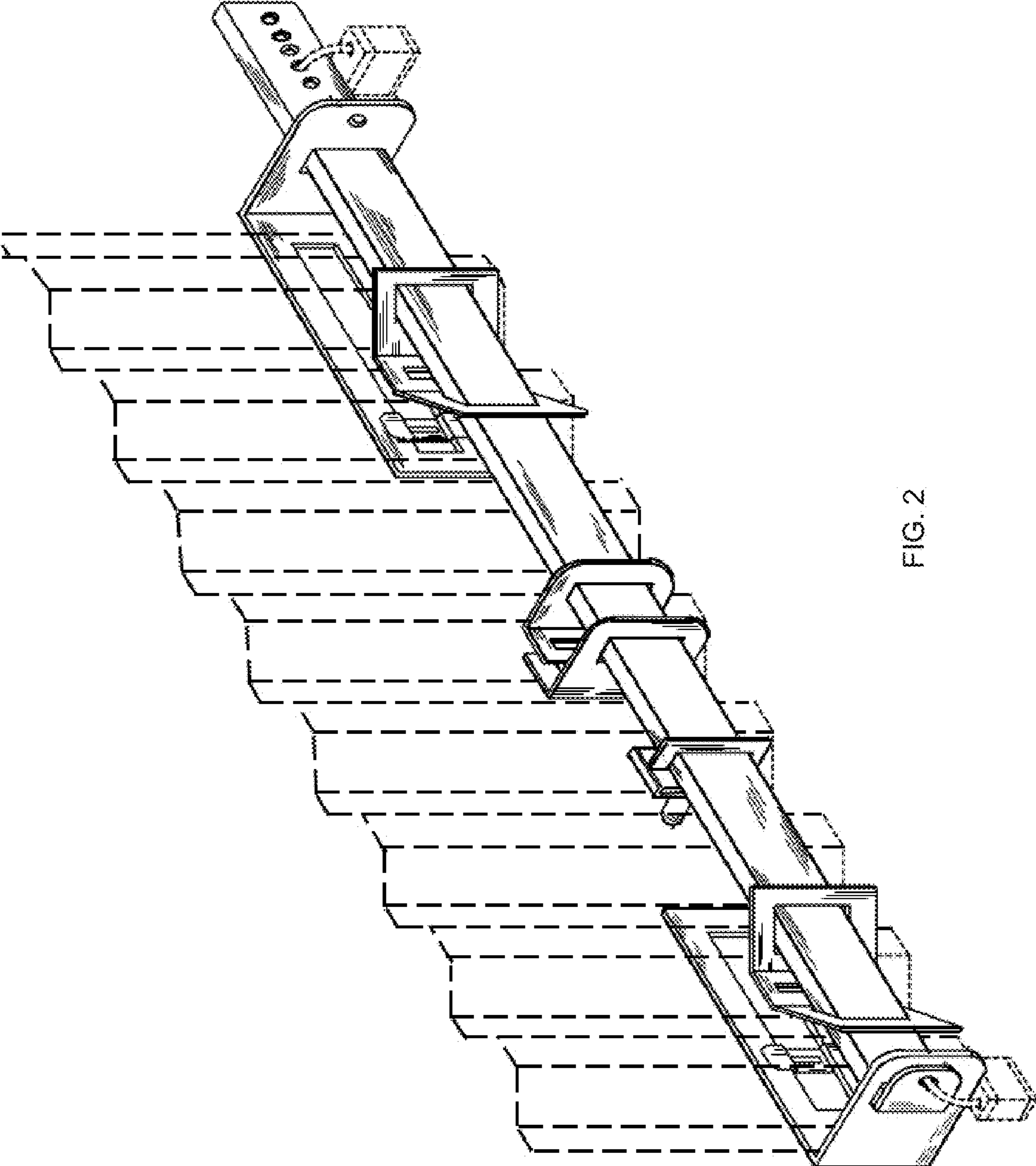


FIG. 2

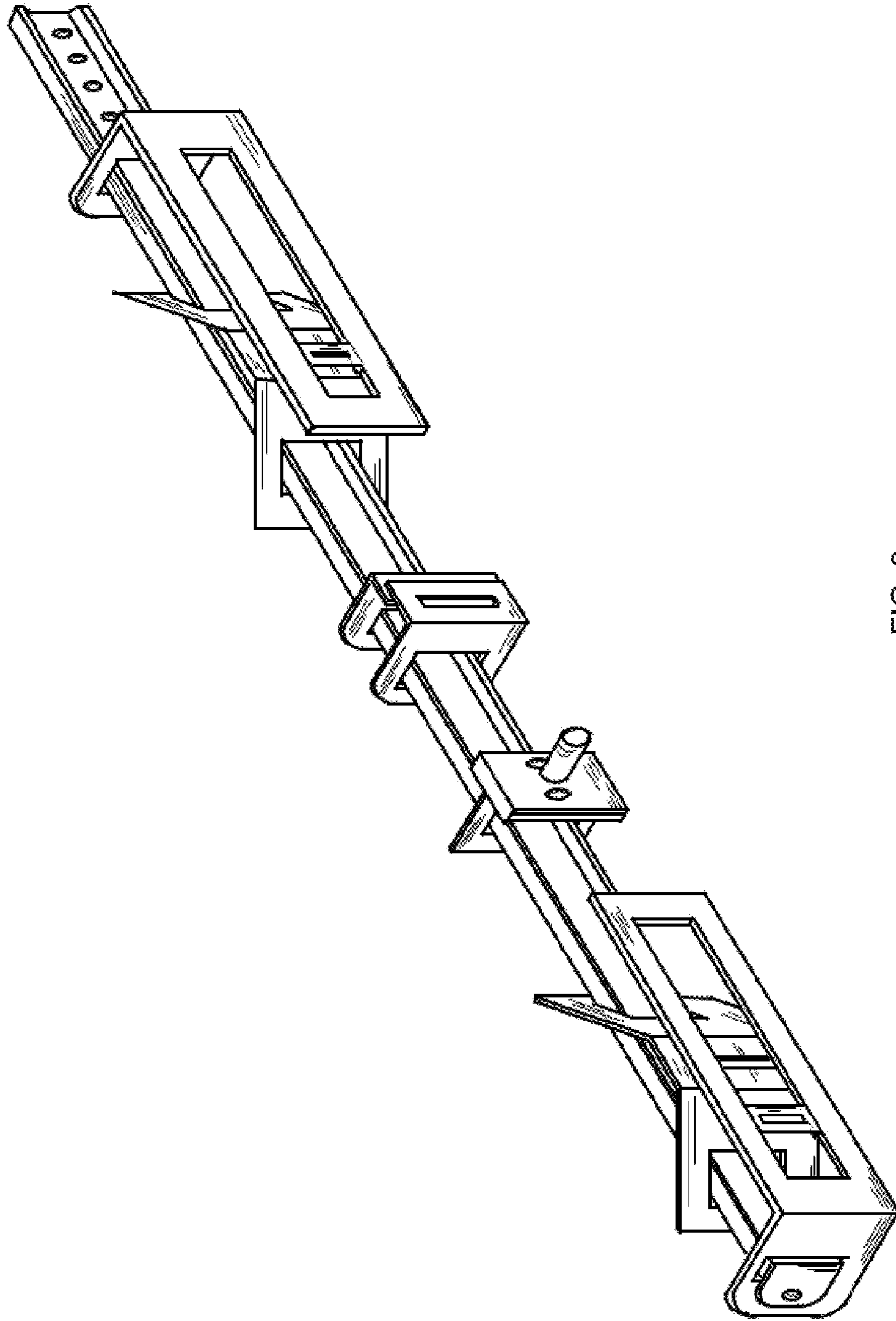


FIG. 3





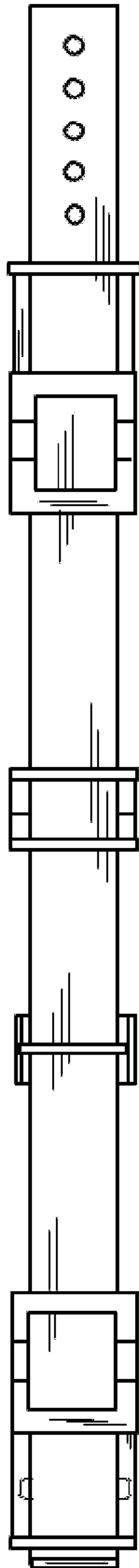


FIG. 5

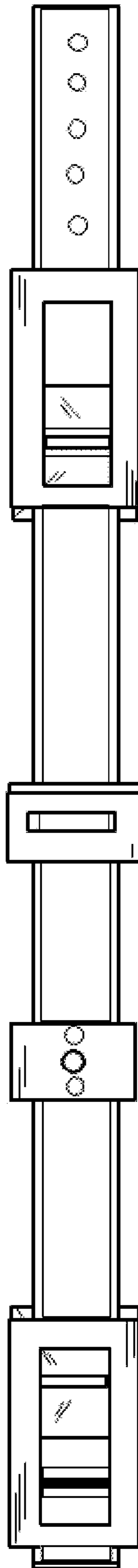


FIG. 6

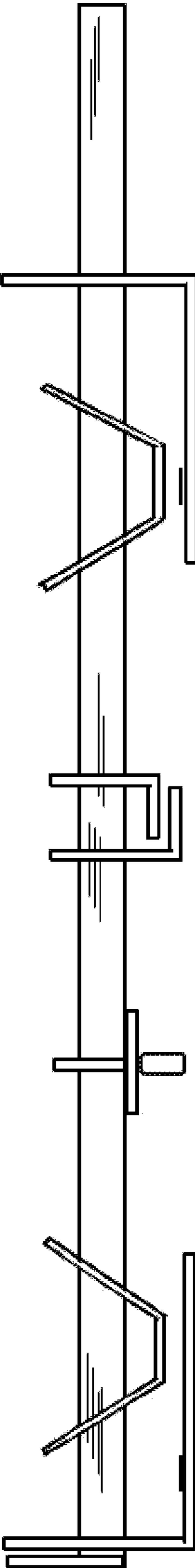


FIG. 7



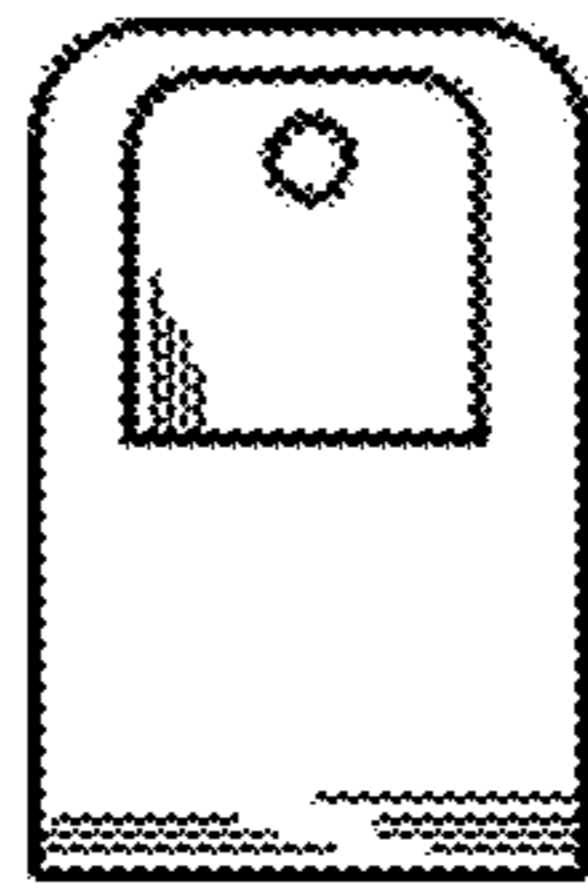


FIG. 8

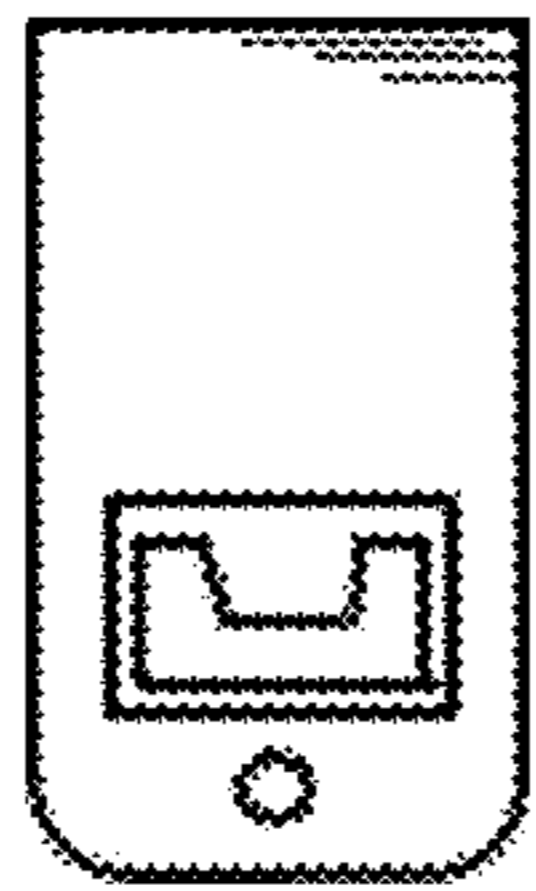


FIG. 9