



US00D710179S

(12) **United States Design Patent**
Thomas et al.

(10) **Patent No.:** **US D710,179 S**
(45) **Date of Patent:** **** Aug. 5, 2014**

(54) **CARD TOOL SET**
(71) Applicant: **Fiskars Brands, Inc.**, Madison, WI (US)
(72) Inventors: **Kyle Thomas**, Bellingham, WA (US);
Hal Hardinge, Tigard, OR (US);
Patrick Hunt, Carlton, OR (US)
(73) Assignee: **Fiskars Brands, Inc.**, Madison, WI (US)
(**) Term: **14 Years**
(21) Appl. No.: **29/466,533**
(22) Filed: **Sep. 9, 2013**
(51) **LOC (10) Cl.** **08-05**
(52) **U.S. Cl.**
USPC **D8/105**
(58) **Field of Classification Search**
USPC D8/14, 16, 18, 19, 20, 26, 33, 34,
D8/38-43, 51, 52, 55, 57, 75, 81-87, 98,
D8/104-106, 354, 356, 358, 360.1;
7/158-166; 30/151, 359, 366; D3/24,
D3/25, 207-208, 210, 228; D10/62;
362/119; 206/38, 232, 234
See application file for complete search history.

(56) **References Cited**
U.S. PATENT DOCUMENTS
3,600,729 A 8/1971 Laughlin et al.
(Continued)
Primary Examiner — Susan Bennett Hattan
Assistant Examiner — Janice Hallmark
(74) *Attorney, Agent, or Firm* — Foley & Lardner LLP

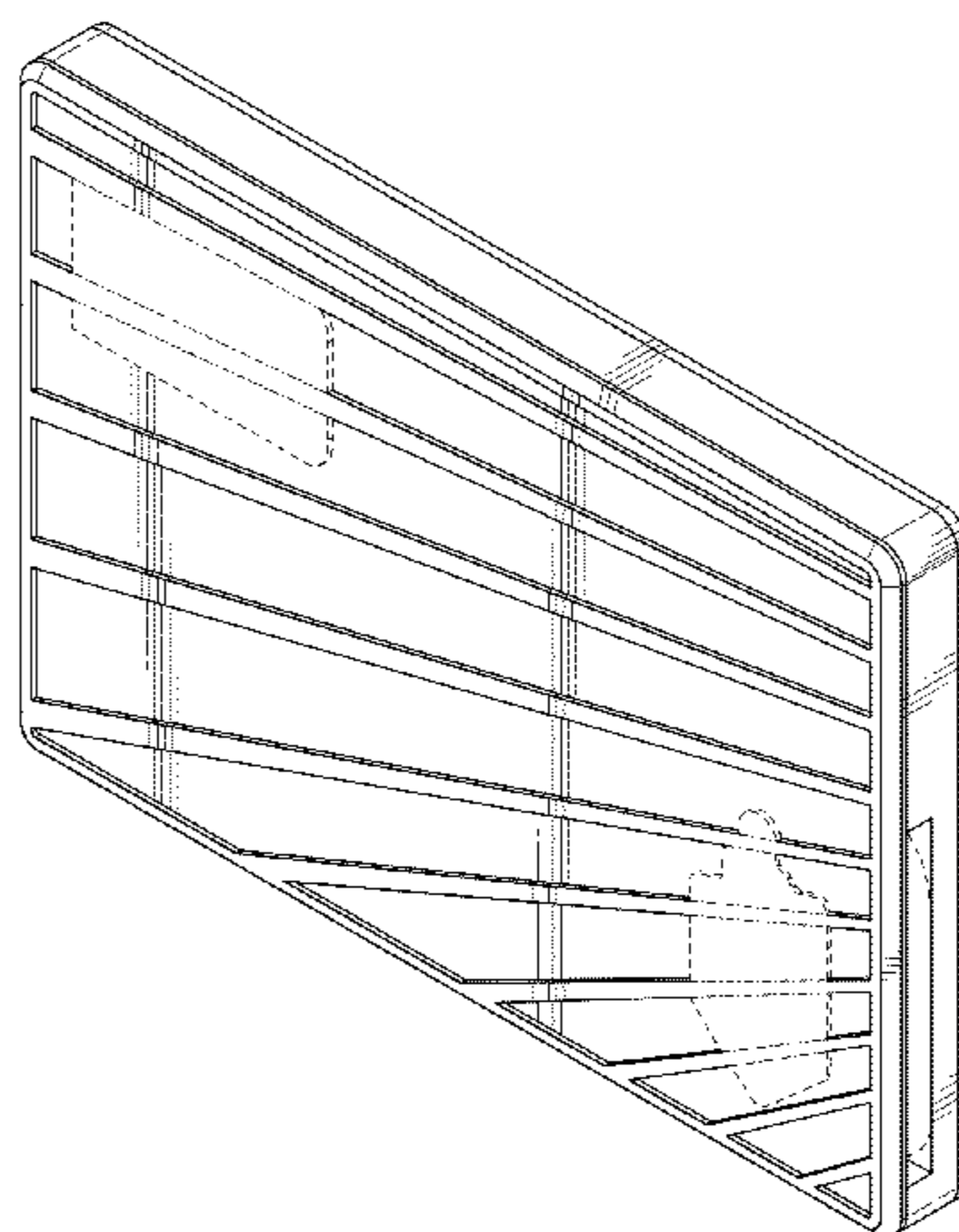
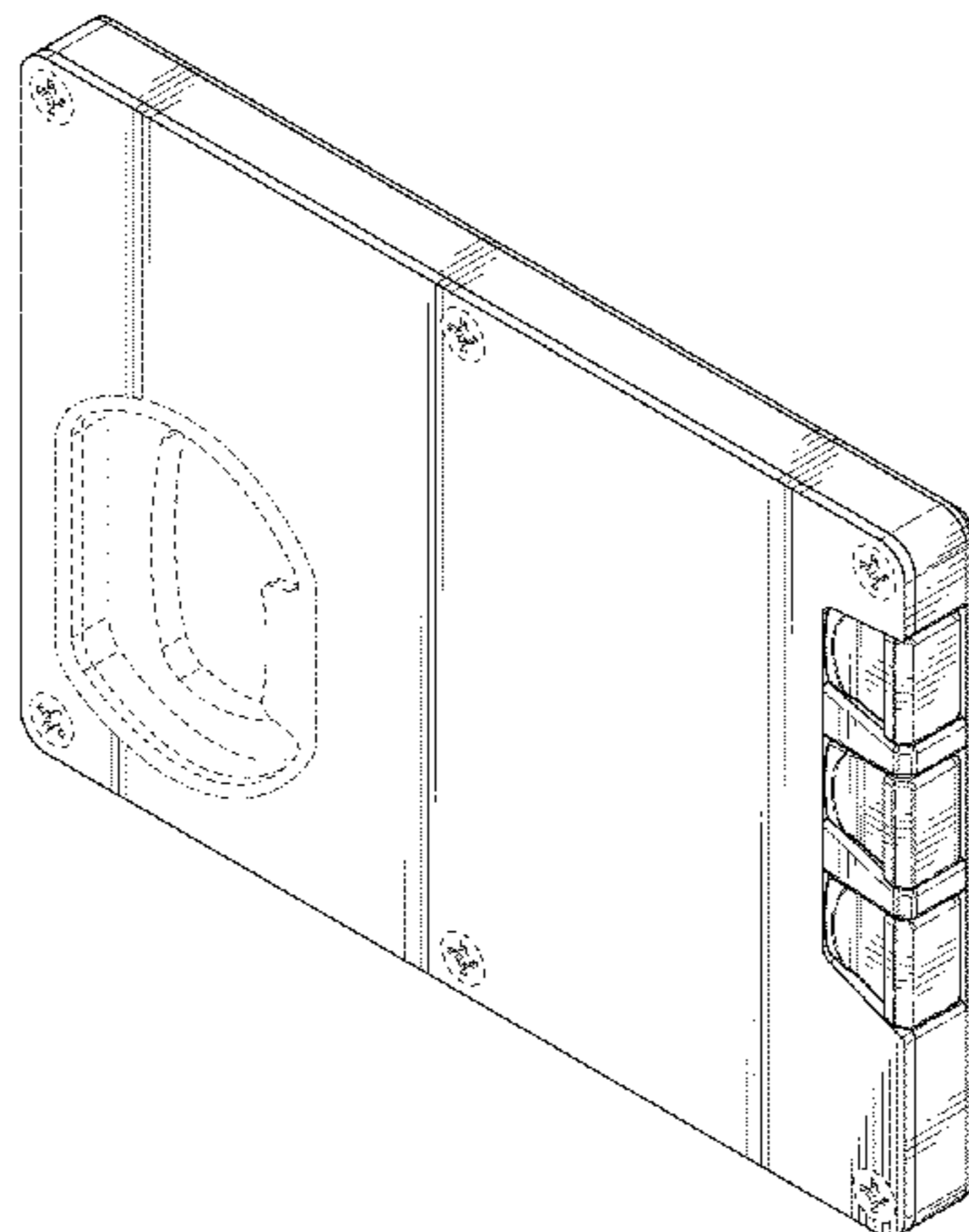
(57) **CLAIM**
We claim the ornamental design for a card tool set, as shown and described.

DESCRIPTION

FIG. 1 is a front-right perspective view from above of the claimed design;
FIG. 2 is a front view of the claimed design of FIG. 1;
FIG. 3 is a rear view of the claimed design of FIG. 1;

FIG. 4 is a left side view of the claimed design of FIG. 1;
FIG. 5 is a right side view of the claimed design of FIG. 1;
FIG. 6 is a top view of the claimed design of FIG. 1;
FIG. 7 is a bottom view of the claimed design of FIG. 1;
FIG. 8 is a front-left perspective view from below of the claimed design of FIG. 1;
FIG. 9 is a rear-right perspective view from above of the claimed design of FIG. 1;
FIG. 10 is a rear-left perspective view from below of the claimed design of FIG. 1;
FIG. 11 is a front-right perspective view from above of the card tool body of FIG. 1 separate from the removable tools;
FIG. 12 is a front view of the claimed design of FIG. 11;
FIG. 13 is a left side view of the claimed design of FIG. 11;
FIG. 14 is a right side view of the claimed design of FIG. 11;
FIG. 15 is a front-left perspective view from below of the claimed design of FIG. 11;
FIG. 16 is a rear-right perspective view from above of the claimed design of FIG. 11;
FIG. 17 is a rear-left perspective view from below of the claimed design of FIG. 11, the top view and the bottom view of the claimed design of FIG. 11 are identical to those shown in FIGS. 6 and 7, respectively;
FIG. 18 is a rear-right perspective view from below of a removable tool of the claimed design of FIG. 1 separate from the card tool body;
FIG. 19 is a rear view of the claimed design of FIG. 18;
FIG. 20 is a front view of the claimed design of FIG. 18;
FIG. 21 is a left side view of the claimed design of FIG. 18;
FIG. 22 is a right side view of the claimed design of FIG. 18;
FIG. 23 is a bottom view of the claimed design of FIG. 18;
FIG. 24 is a top view of the claimed design of FIG. 18; and,
FIG. 25 is a front-left perspective view from below of the claimed design of FIG. 18.
The broken lines in the drawings are for purposes of illustrating unclaimed environment of the design. Broken lines formed by equal length dashes show unclaimed environment of the design. Broken lines formed of unequal length dashes (i.e., dash-dot) show boundaries between claimed and unclaimed environment of the design.

1 Claim, 10 Drawing Sheets



(56)

References Cited

U.S. PATENT DOCUMENTS

4,078,272	A	3/1978	Mahon, III	D434,624	S	12/2000	Padden
4,250,539	A	2/1981	Leitzel et al.	D444,060	S	6/2001	Elsener, Sr. et al.
D266,479	S	* 10/1982	Hayakawa	6,257,405	B1	7/2001	Painsith
4,447,950	A	5/1984	Mizelle	D449,211	S	10/2001	Jean et al.
5,328,026	A	7/1994	Newman	D449,507	S	* 10/2001	Jean et al. D8/105
D360,815	S	8/1995	Padden	6,347,875	B1	2/2002	Painsith
5,467,871	A	11/1995	DeField	D462,000	S	* 8/2002	Hightower
D374,388	S	10/1996	Padden	6,460,698	B1	10/2002	Wang
5,620,090	A	* 4/1997	Beeley	6,527,112	B2	3/2003	Painsith
5,621,936	A	4/1997	Penaligon et al.	6,571,940	B2	6/2003	Newman
D399,405	S	10/1998	Savoia	6,817,532	B2	11/2004	Finkelstein
5,893,631	A	4/1999	Padden	6,857,757	B2	2/2005	Parsons et al.
5,933,893	A	8/1999	Padden	D504,599	S	5/2005	Kelleghan
D416,581	S	11/1999	Cheng	D517,390	S	3/2006	Cheng et al.
6,009,584	A	1/2000	Padden	7,036,174	B2	5/2006	Painsith et al.
6,044,967	A	4/2000	Painsith	7,344,023	B2	3/2008	Painsith et al.
6,070,990	A	6/2000	Dalton et al.	7,631,752	B2	12/2009	Painsith
6,076,665	A	6/2000	Chuang	D671,814	S	12/2012	Liang
D431,105	S	9/2000	Ling	D685,620	S	* 7/2013	Wysoczynski et al. D8/40
6,145,994	A	11/2000	Ng	2009/0000038	A1	1/2009	Padden
				2009/0199941	A1	* 8/2009	Toner et al. 150/143
				2012/0317819	A1	12/2012	Pelton

* cited by examiner

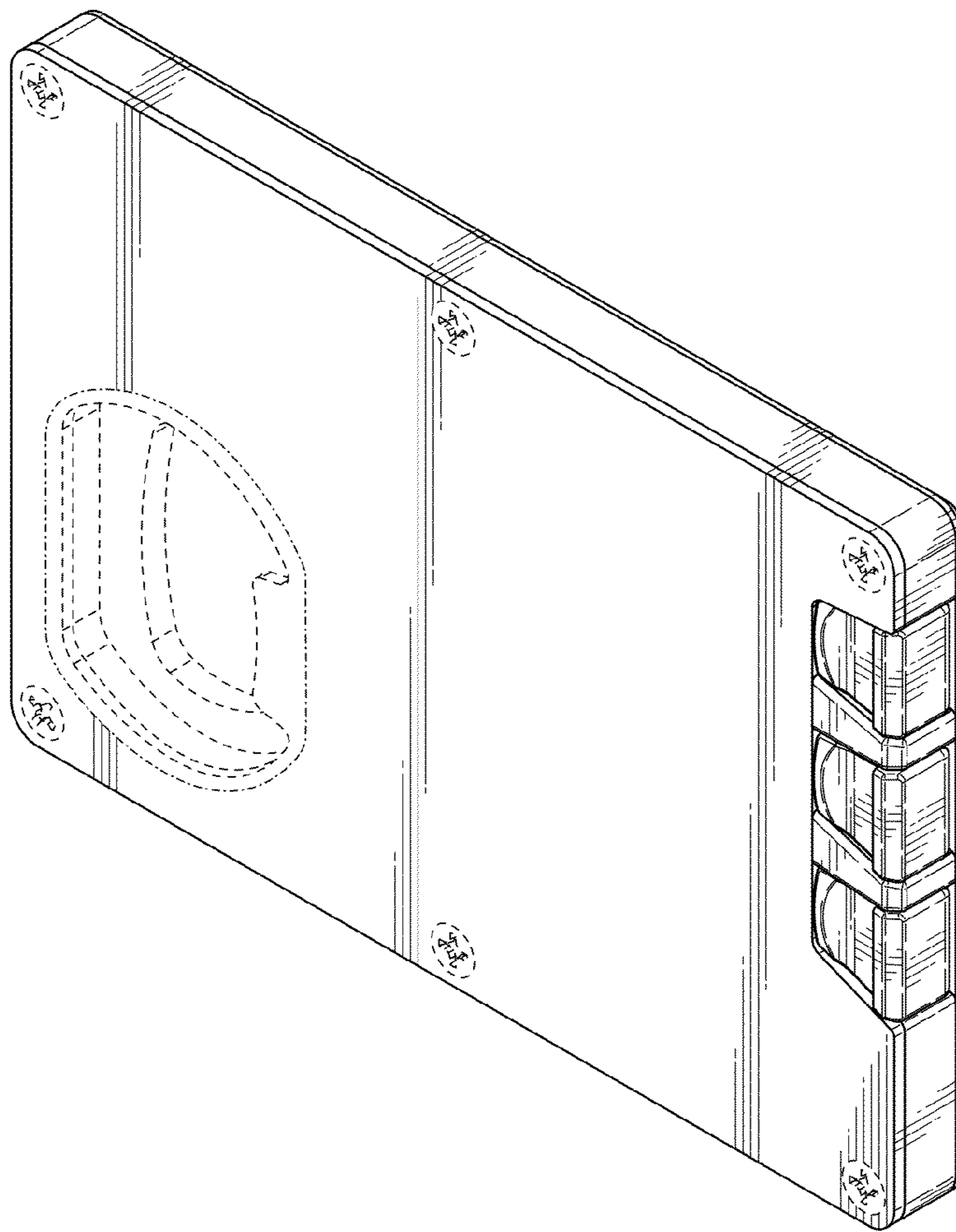


FIG. 1

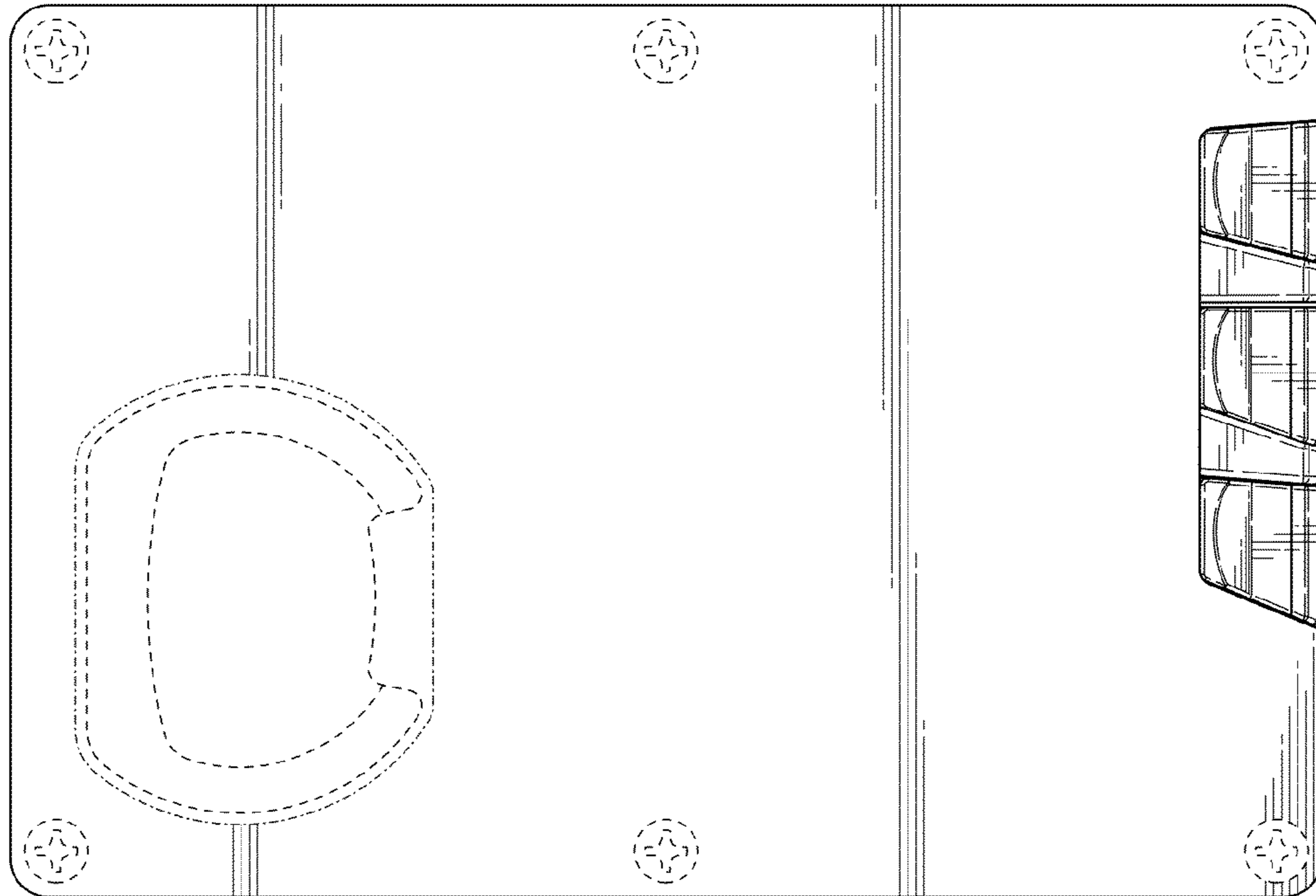


FIG. 2

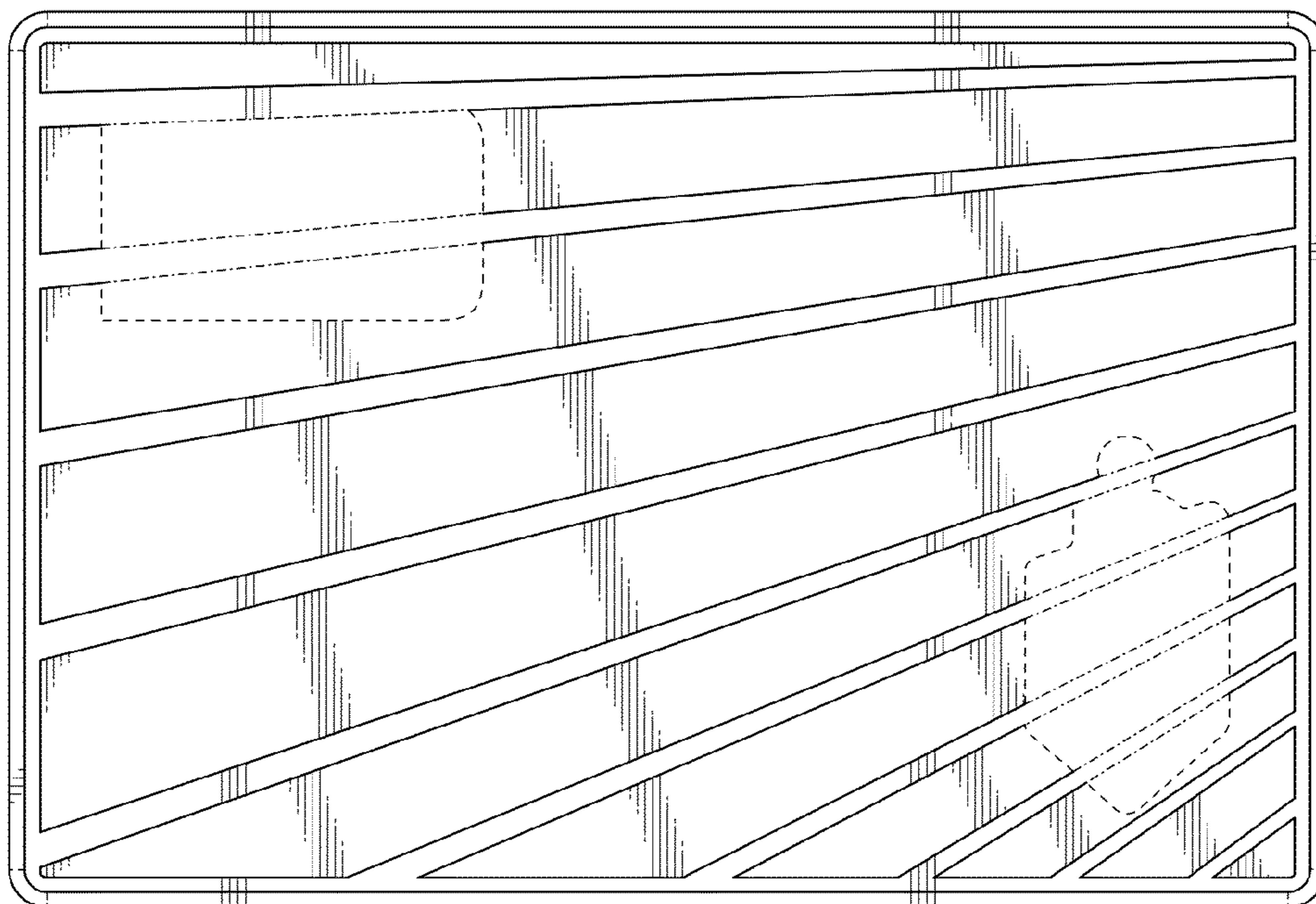


FIG. 3



FIG. 4

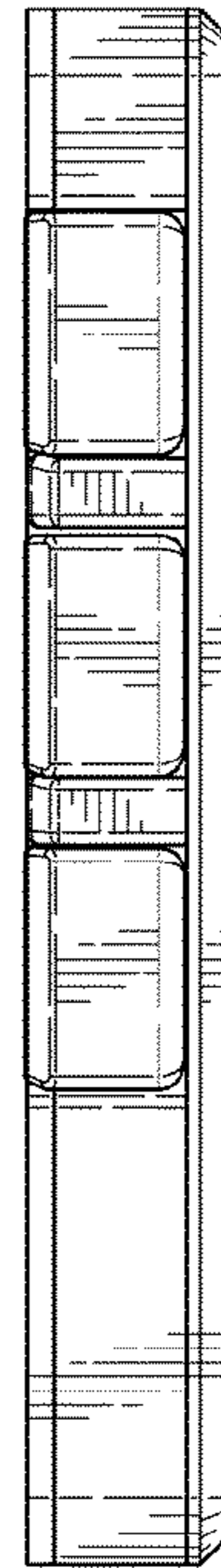


FIG. 5

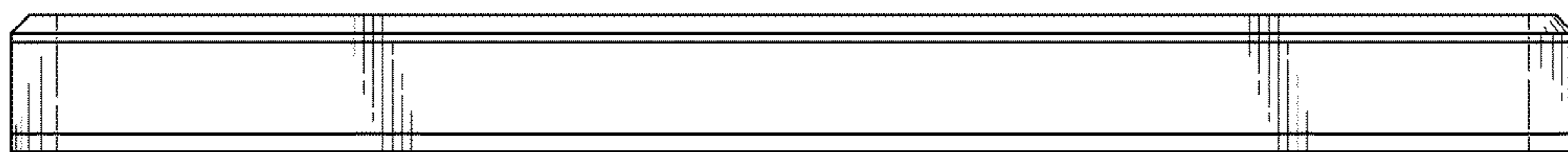


FIG. 6

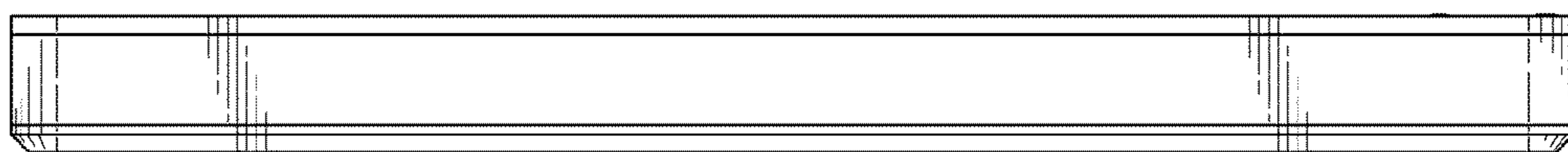


FIG. 7

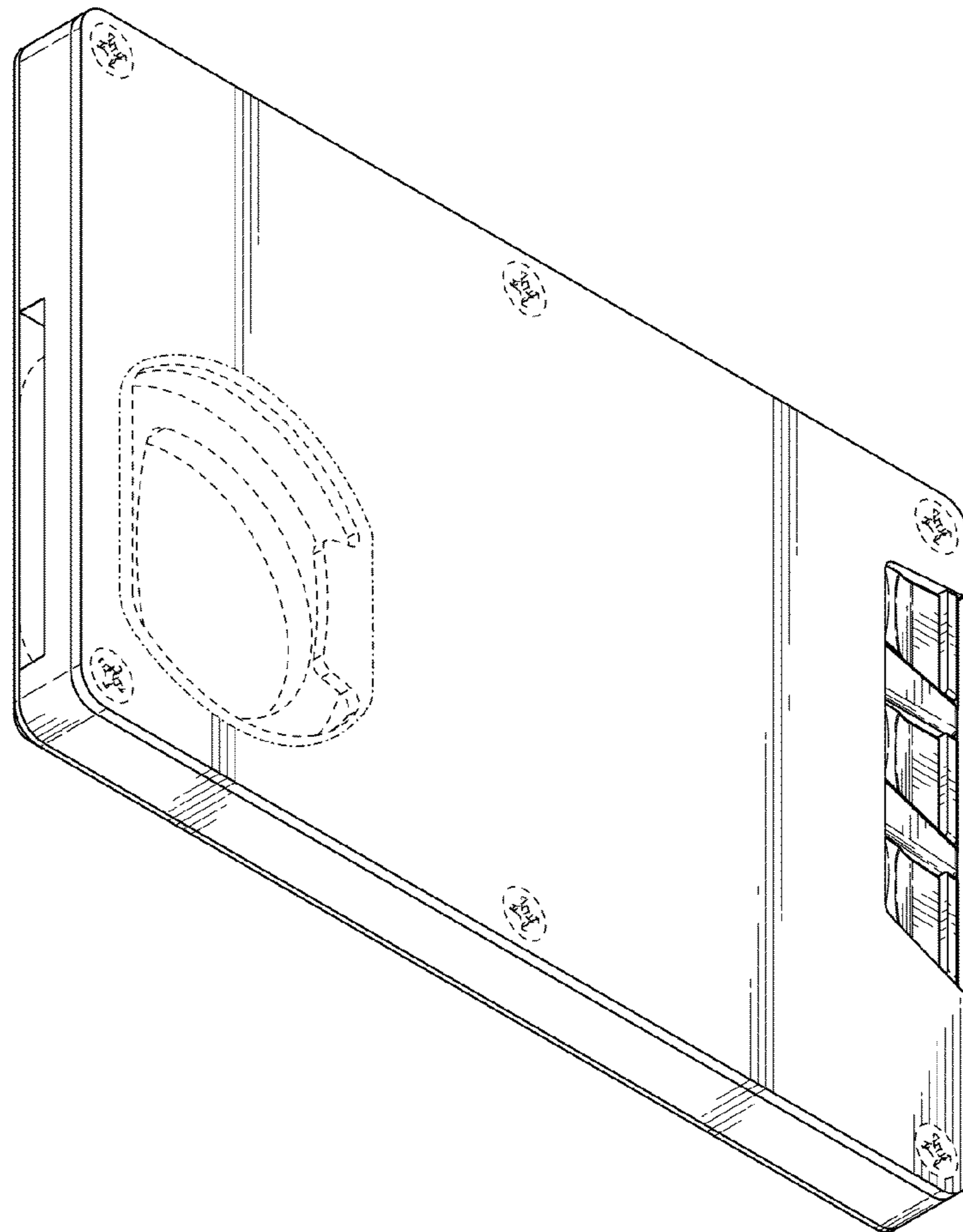


FIG. 8

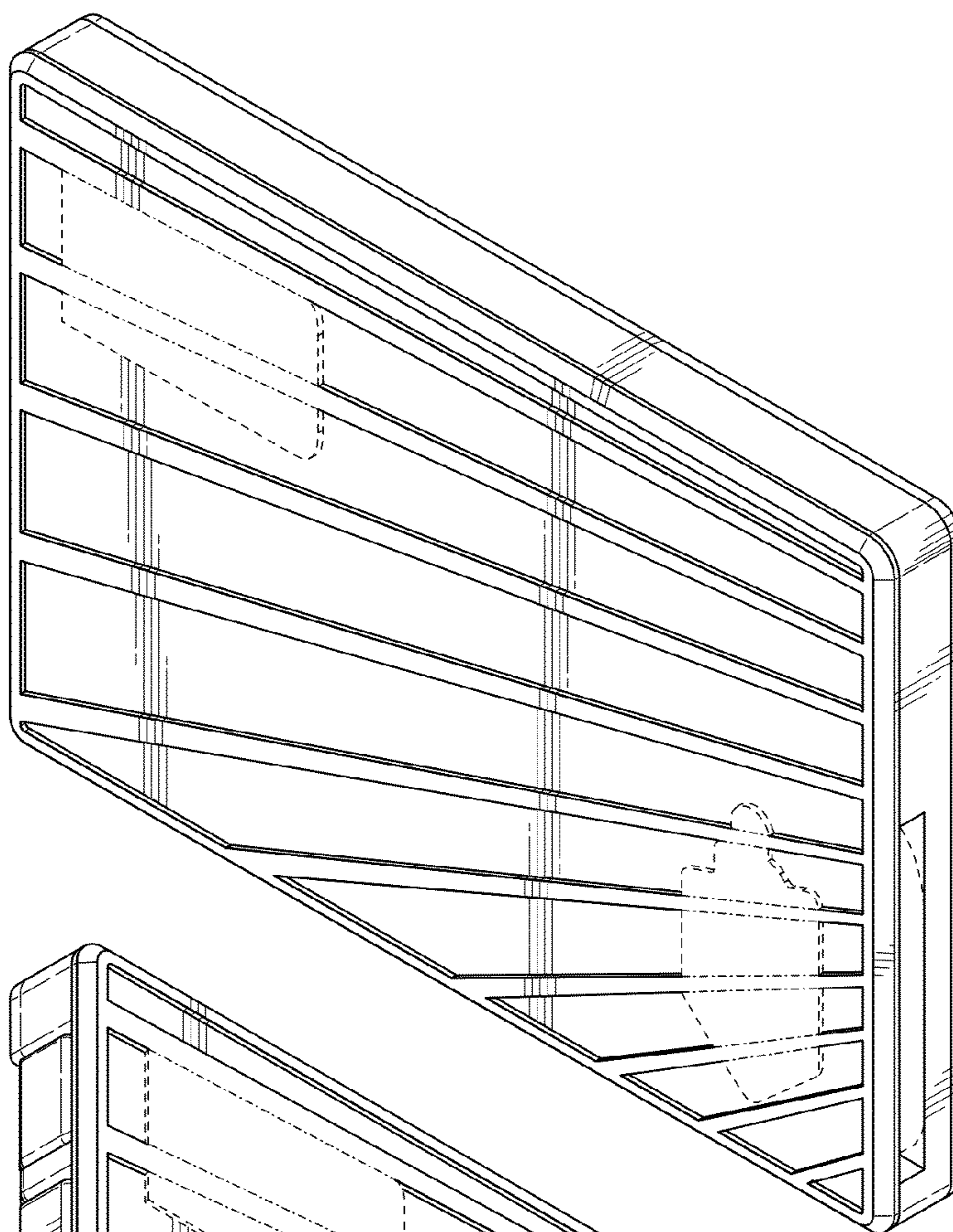


FIG. 9

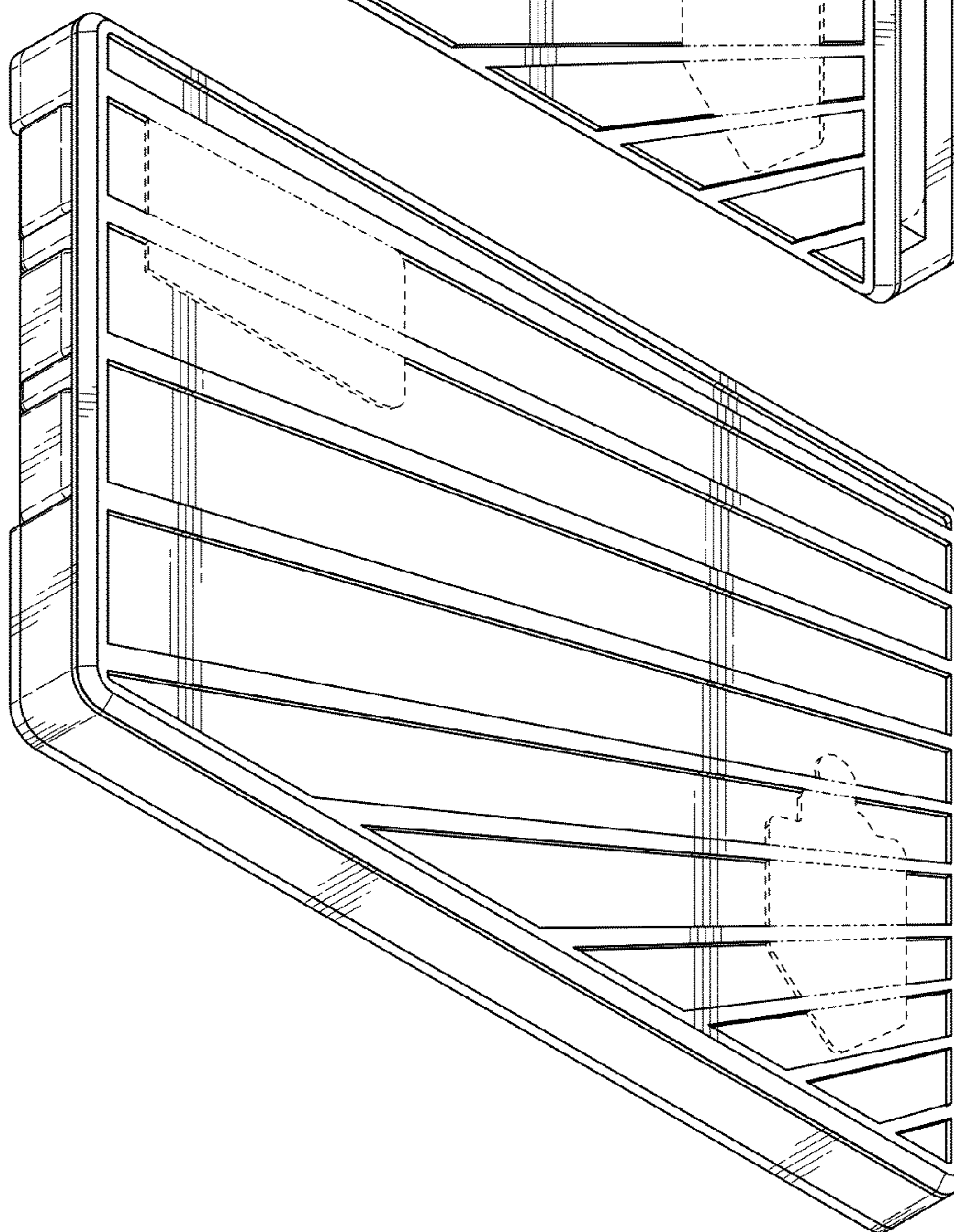


FIG. 10

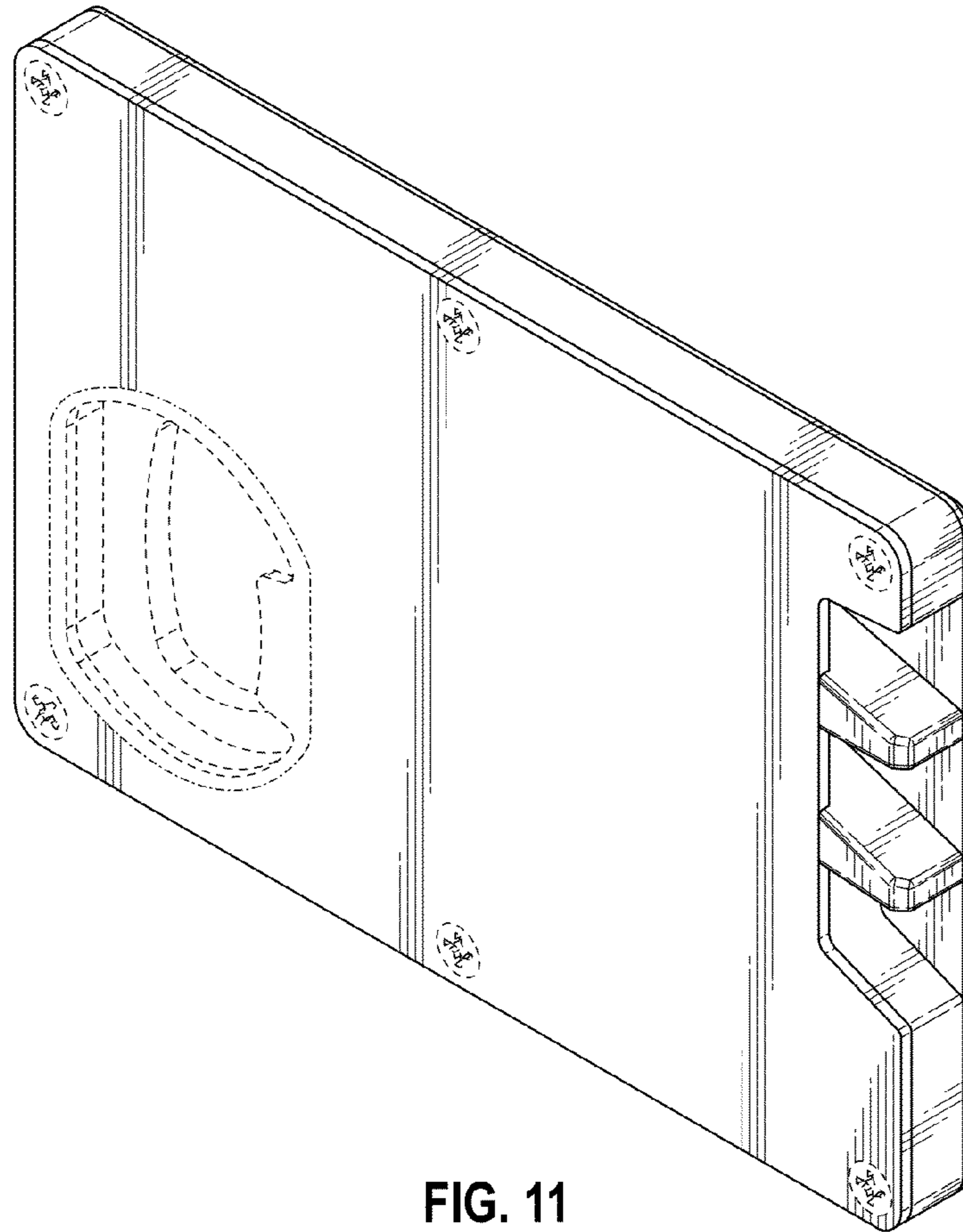


FIG. 11

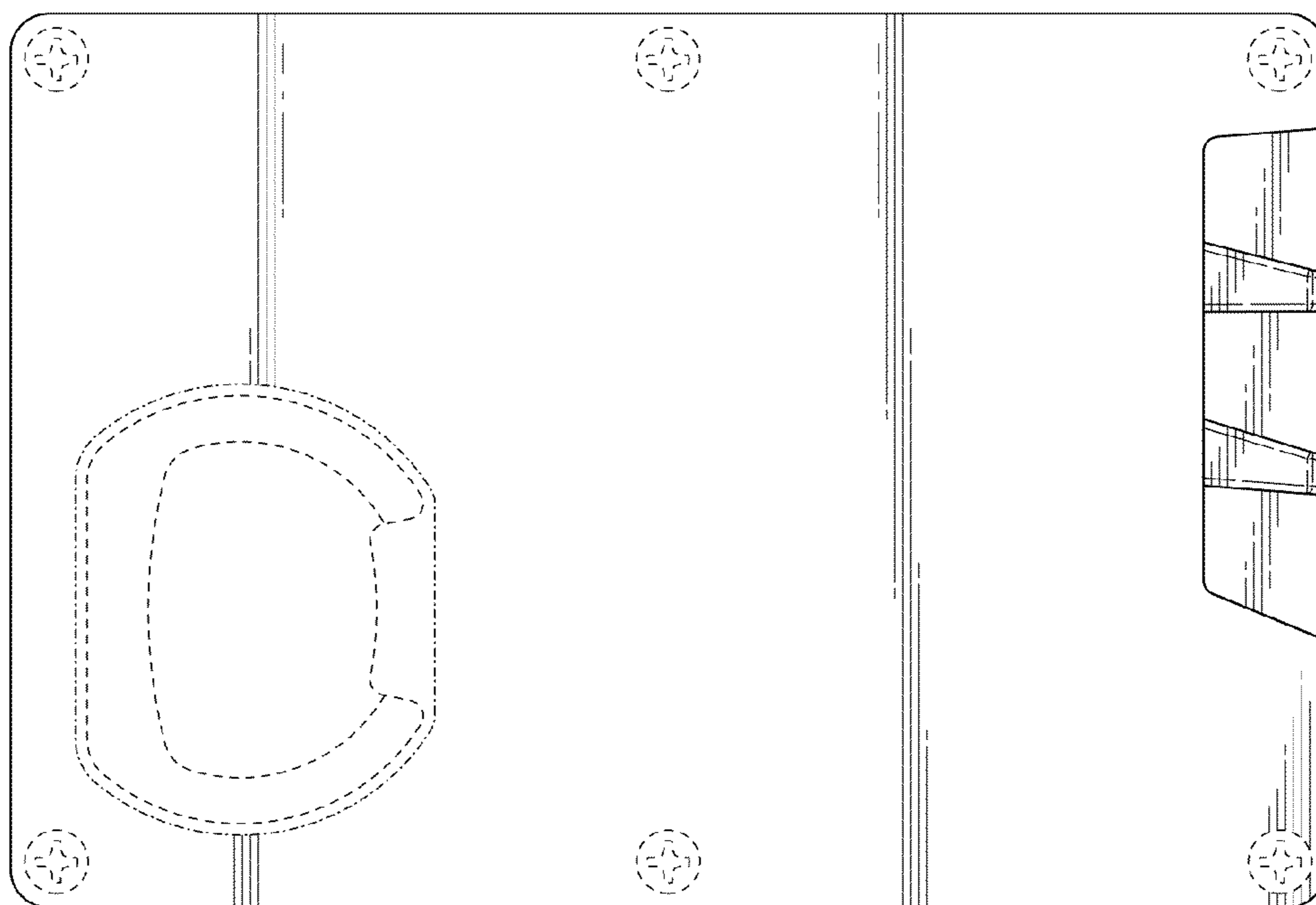


FIG. 12

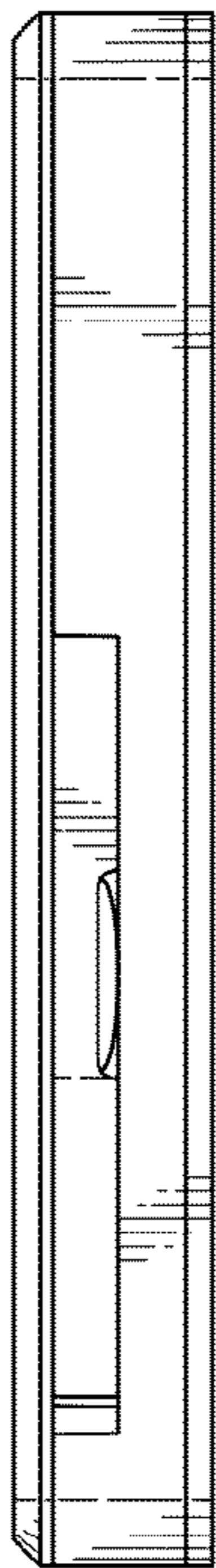


FIG. 13

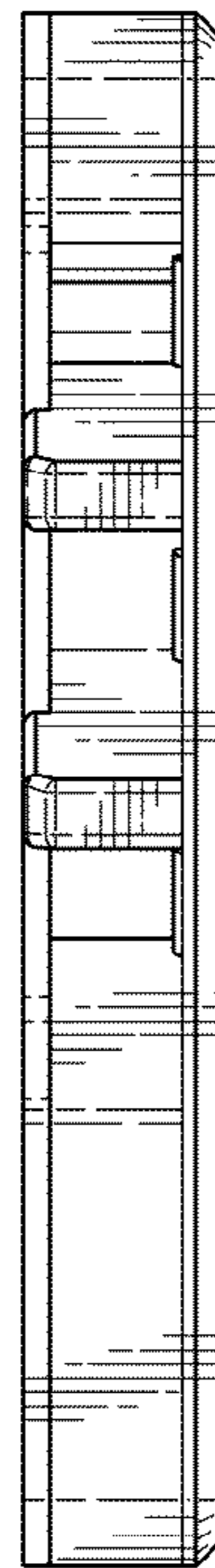


FIG. 14

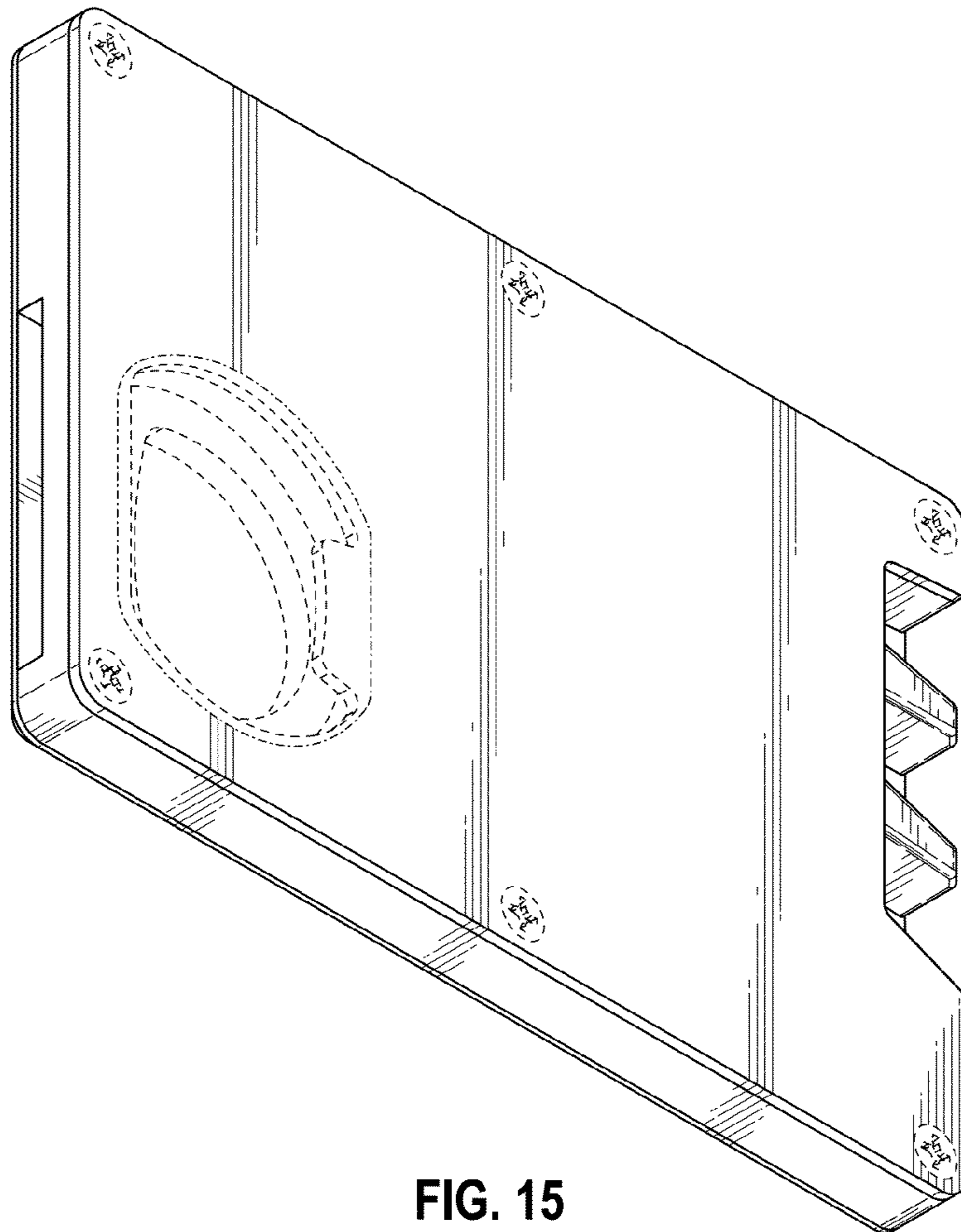


FIG. 15

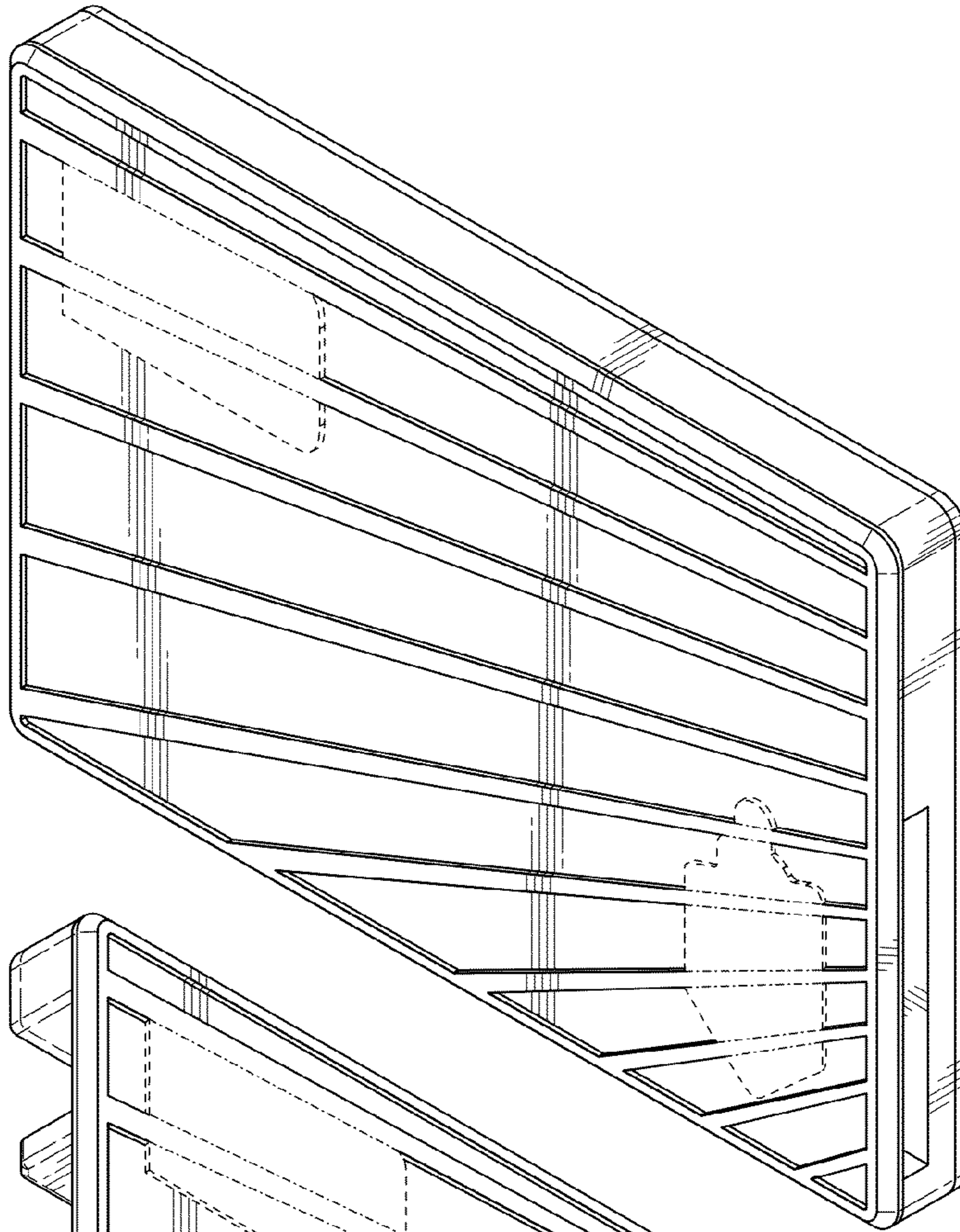


FIG. 16

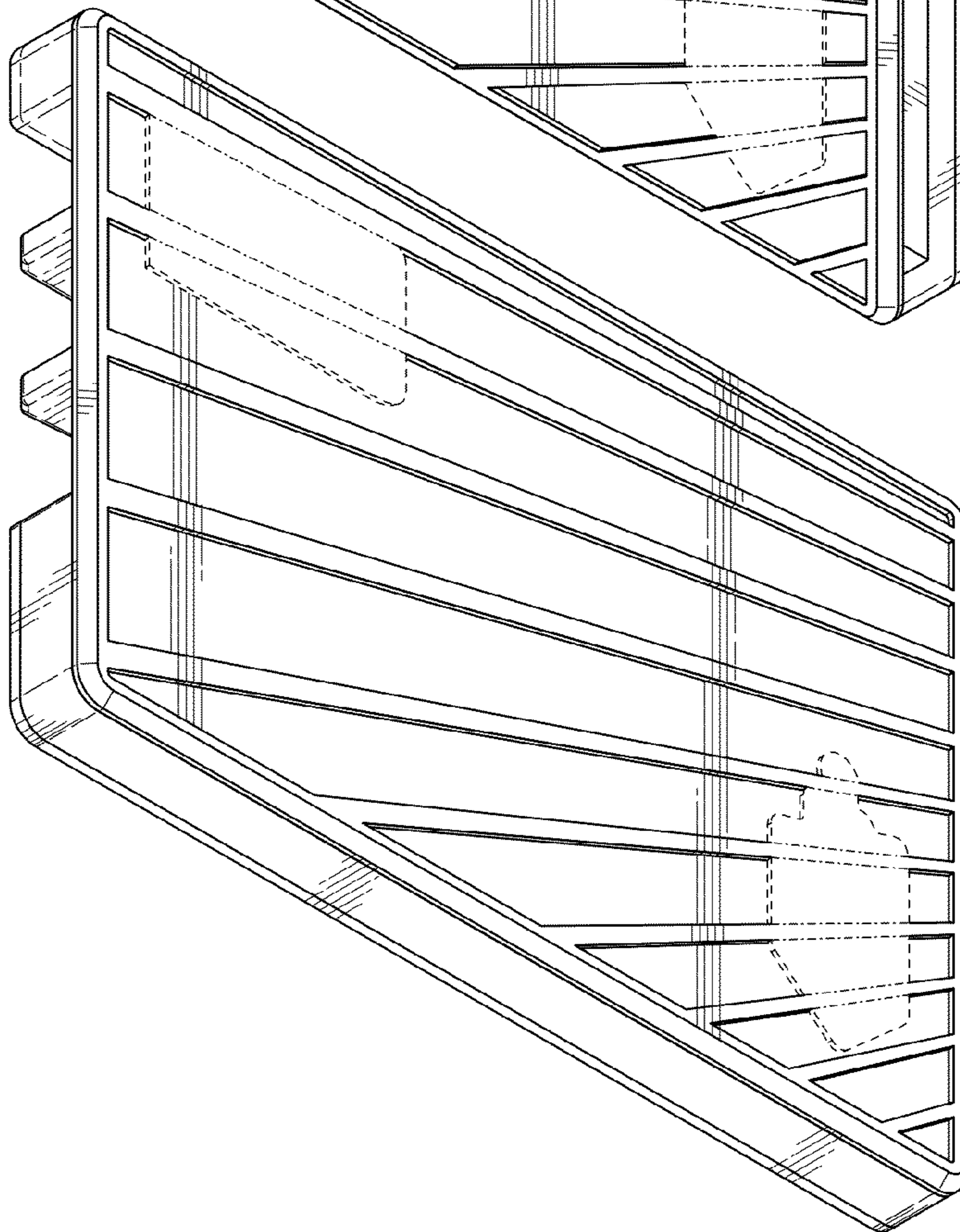


FIG. 17

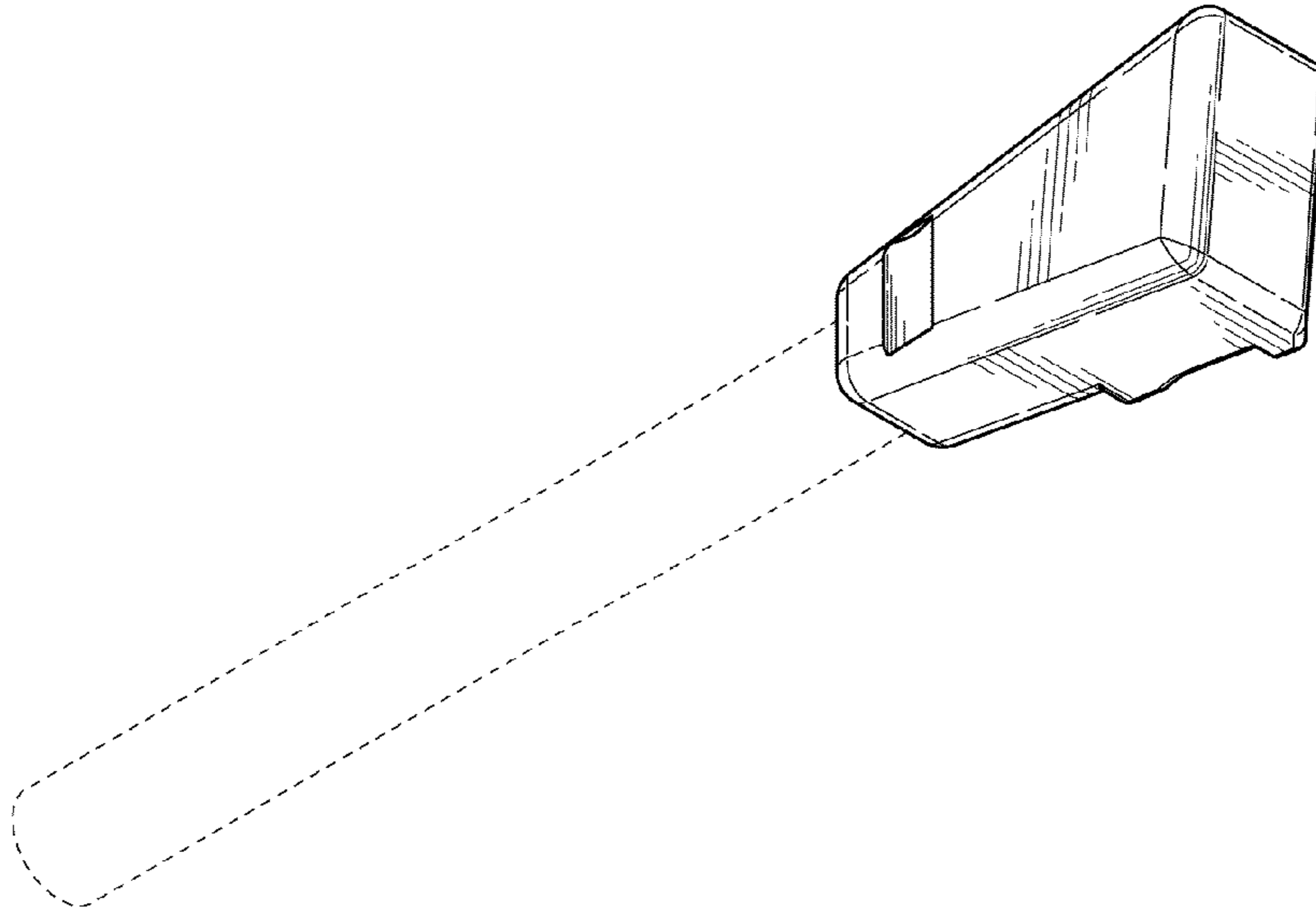


FIG. 18

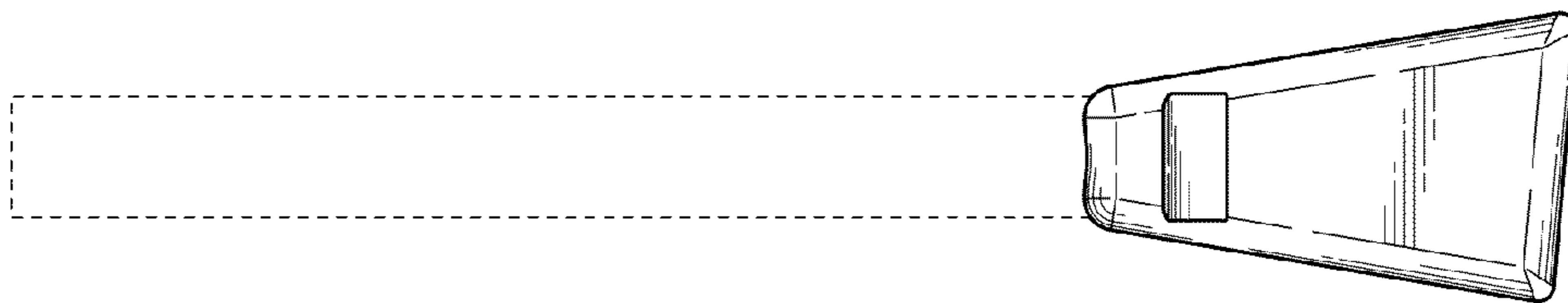


FIG. 19



FIG. 20

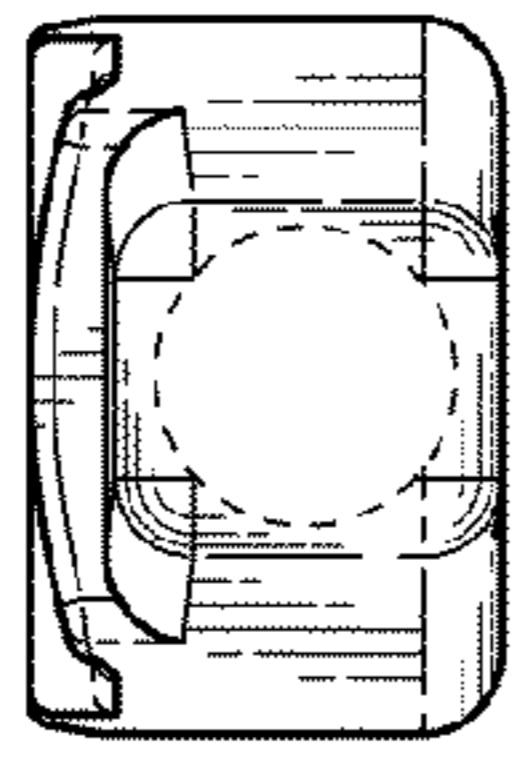


FIG. 21

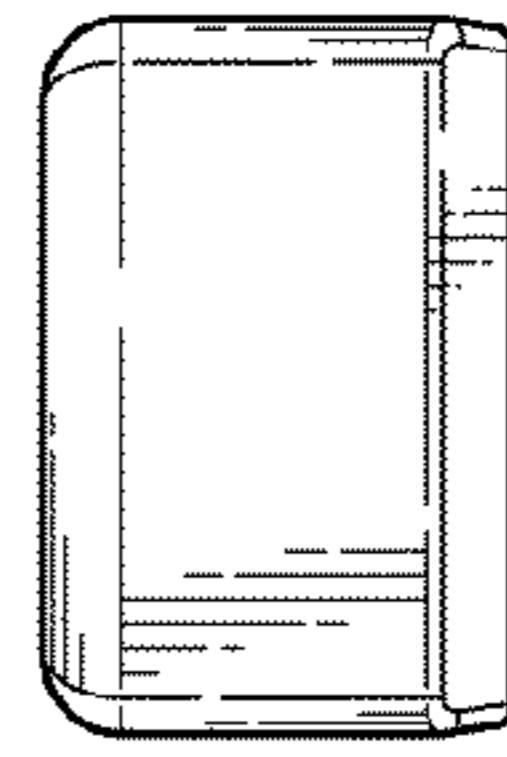


FIG. 22

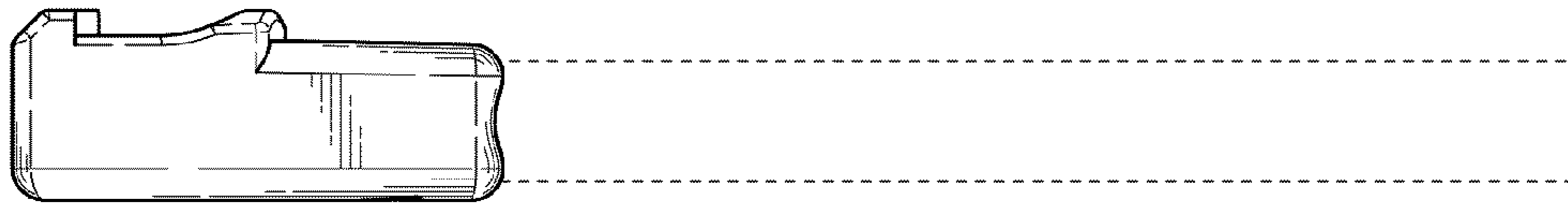


FIG. 23



FIG. 24

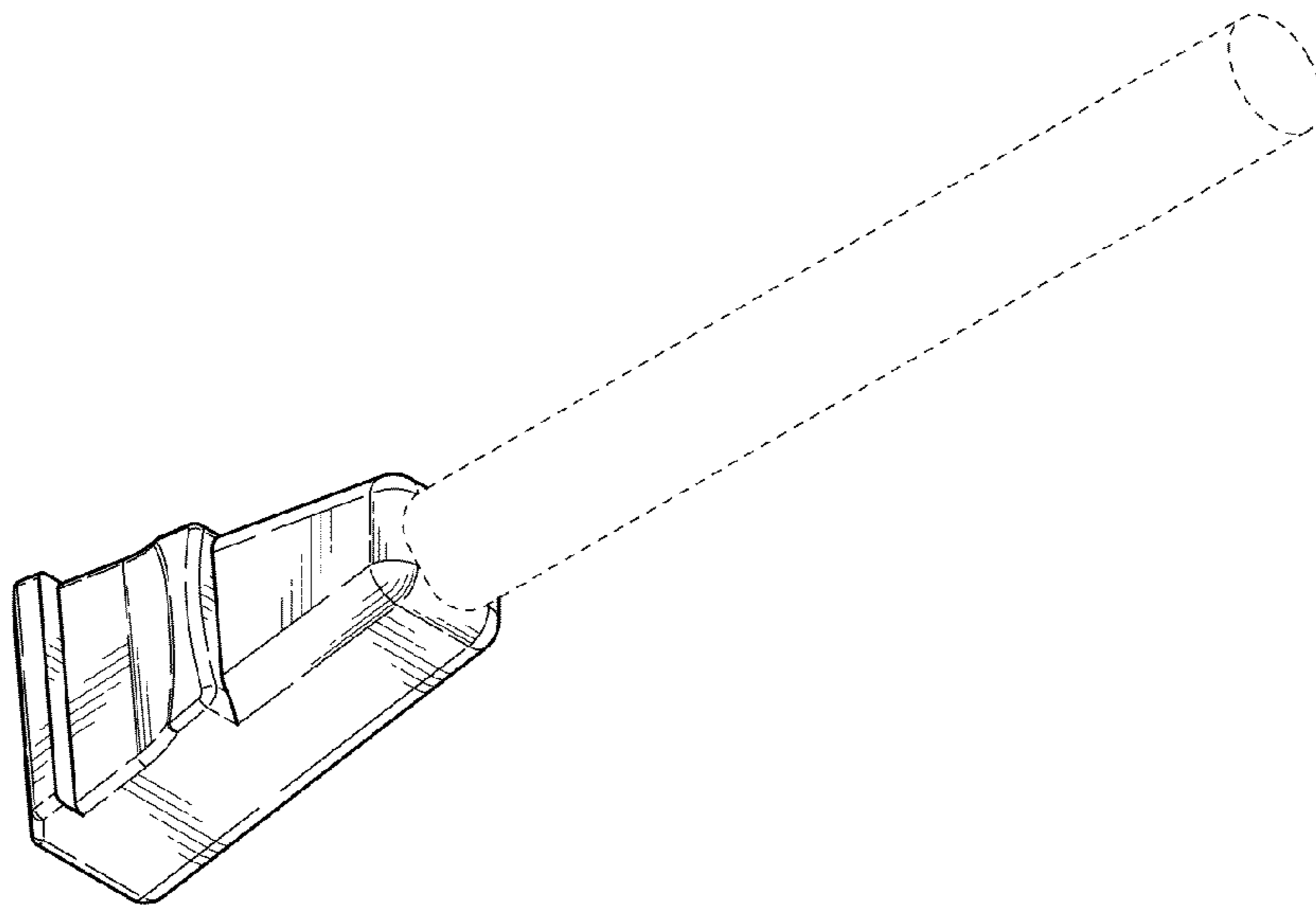


FIG. 25