



US00D710178S

(12) **United States Design Patent**  
**Wu**

(10) **Patent No.:** **US D710,178 S**

(45) **Date of Patent:** **\*\* Aug. 5, 2014**

(54) **UTILITY KNIFE**

(76) Inventor: **Yuewei Wu, Ninghai (CN)**

(\*\*) Term: **14 Years**

(21) Appl. No.: **29/426,802**

(22) Filed: **Jul. 11, 2012**

(51) **LOC (10) Cl.** ..... **08-03**

(52) **U.S. Cl.**  
USPC ..... **D8/99**

(58) **Field of Classification Search**  
USPC ..... D8/95-99, 105, 107; D22/118;  
30/154-162, 320, 329-333, 335, 339  
See application file for complete search history.

(56) **References Cited**

**U.S. PATENT DOCUMENTS**

D506,664 S *	6/2005	Budrow	.....	D8/99
D534,410 S *	1/2007	Chen	.....	D8/80
D551,933 S *	10/2007	Guo	.....	D8/99
7,293,360 B2 *	11/2007	Steigerwalt et al.	.....	30/160
D558,555 S *	1/2008	Huang	.....	D8/99

D594,309 S *	6/2009	Sugiura et al.	.....	D8/99
7,562,454 B2 *	7/2009	Steigerwalt et al.	.....	30/160
D651,064 S *	12/2011	Wu	.....	D8/99
2002/0029482 A1 *	3/2002	Peyrot et al.	.....	30/162
2011/0088264 A1 *	4/2011	Muccino et al.	.....	30/162

\* cited by examiner

*Primary Examiner* — Philip S Hyder

*Assistant Examiner* — Roselynn Cody

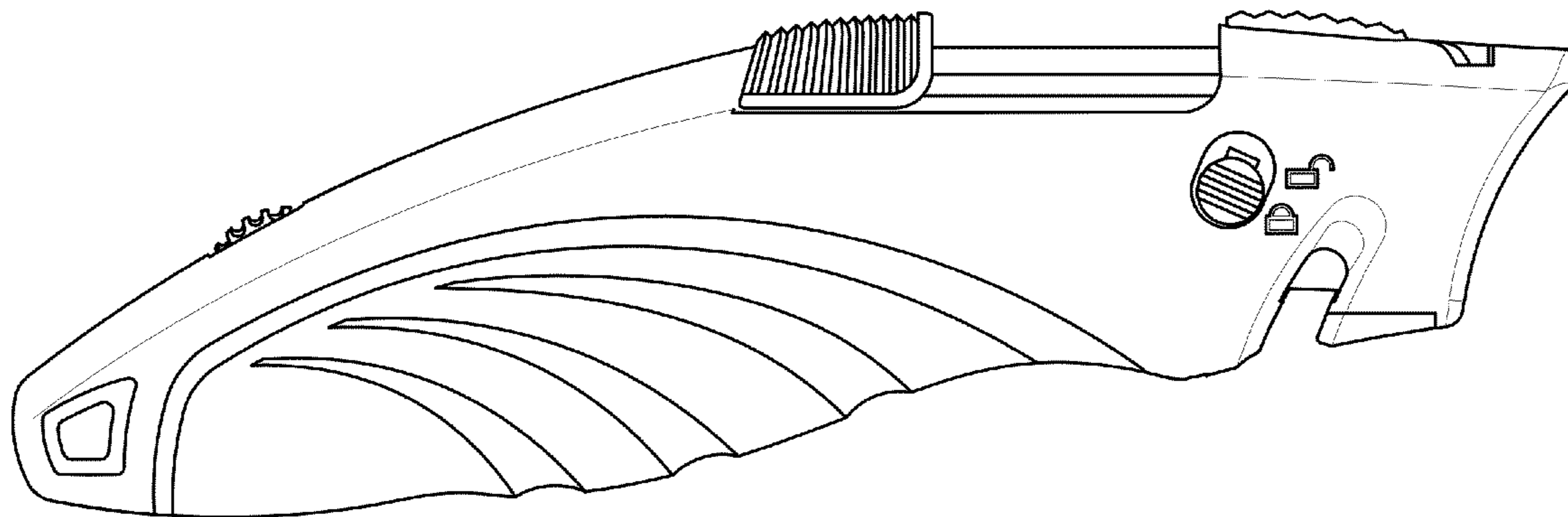
(57) **CLAIM**

The ornamental design for the utility knife, as shown and described.

**DESCRIPTION**

FIG. 1 is a front view of a utility knife showing my new design;  
FIG. 2 is a rear view thereof;  
FIG. 3 is a bottom view thereof;  
FIG. 4 is a top view thereof;  
FIG. 5 is a right side view thereof;  
FIG. 6 is a left side view thereof; and,  
FIG. 7 is a perspective view thereof.

**1 Claim, 3 Drawing Sheets**



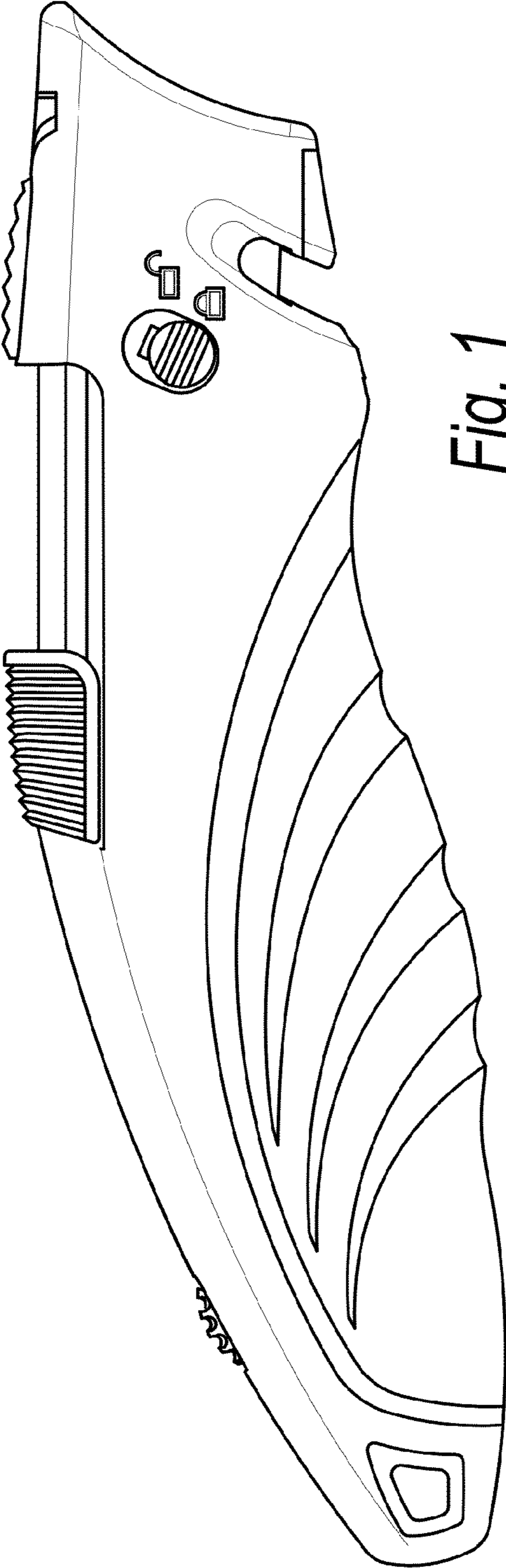


Fig. 1

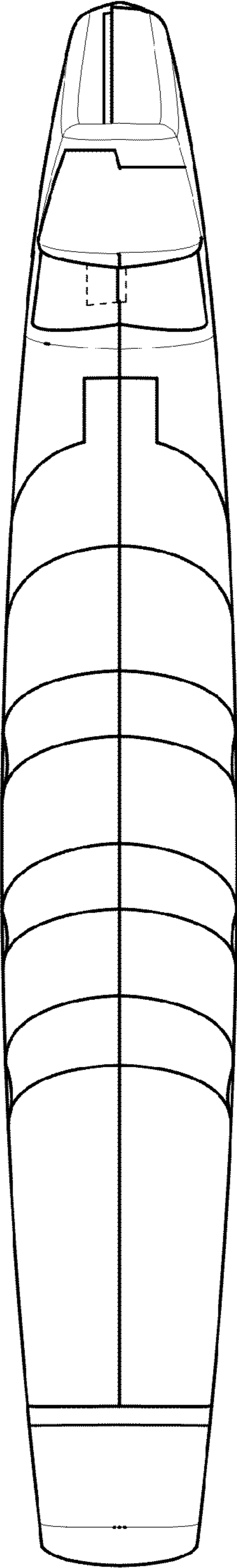


Fig. 3

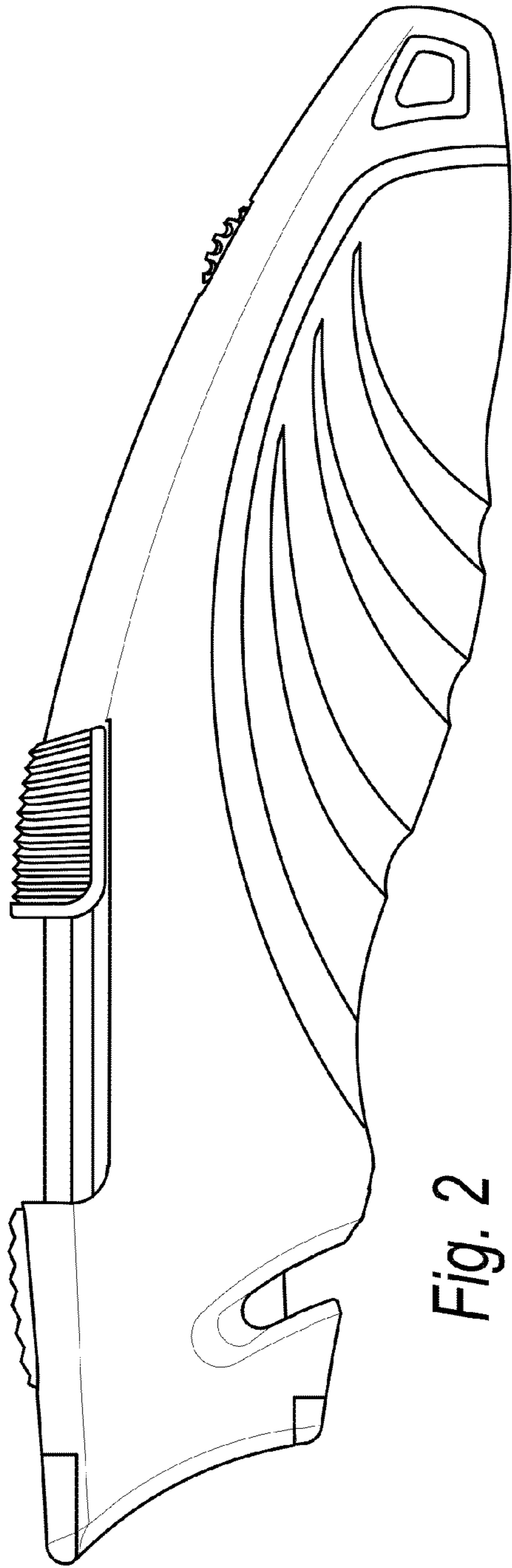


Fig. 2

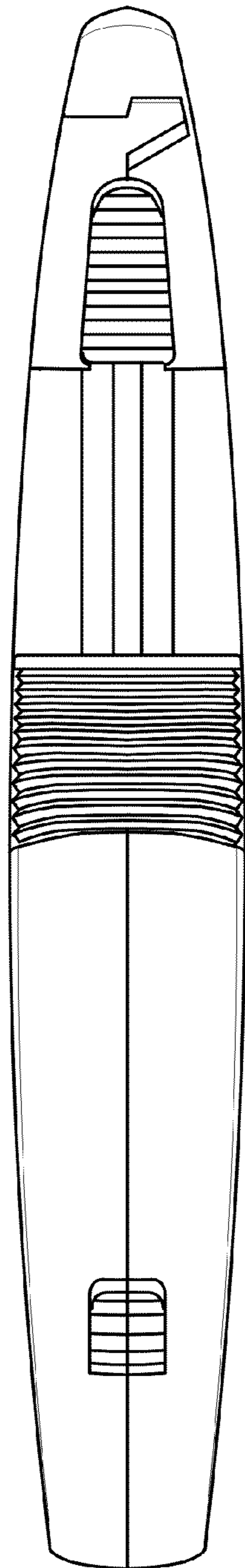


Fig. 4

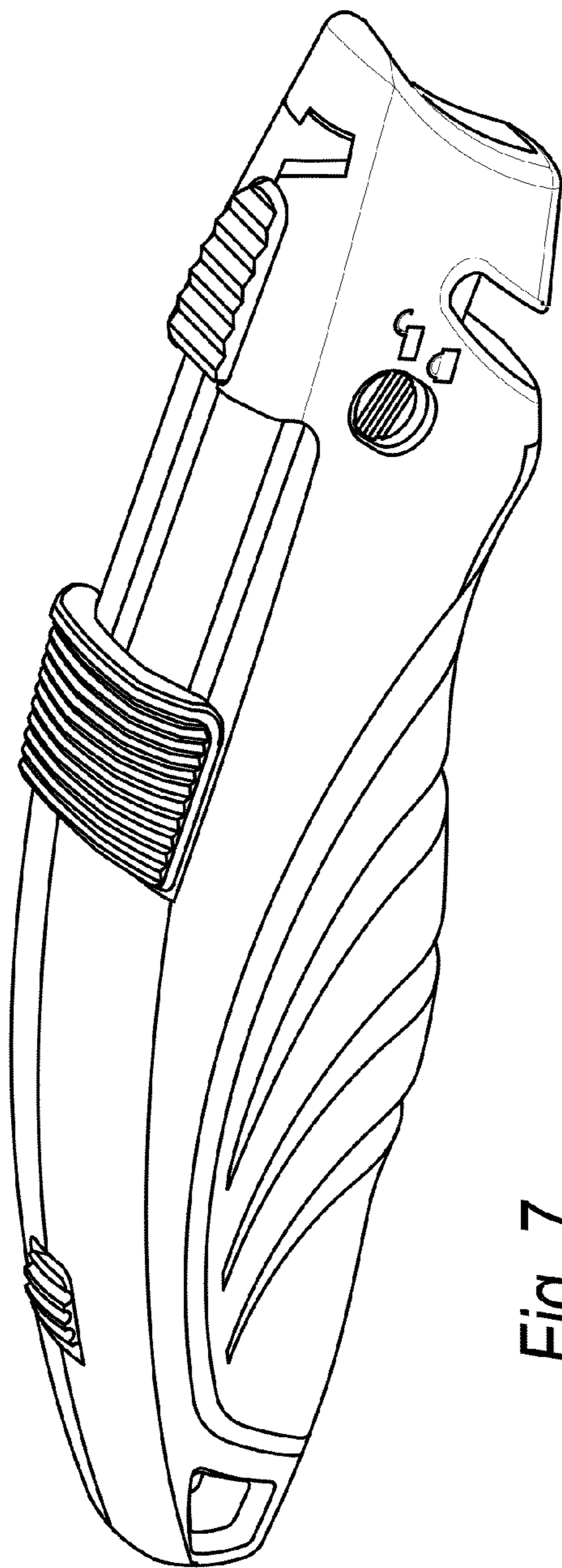


Fig. 7

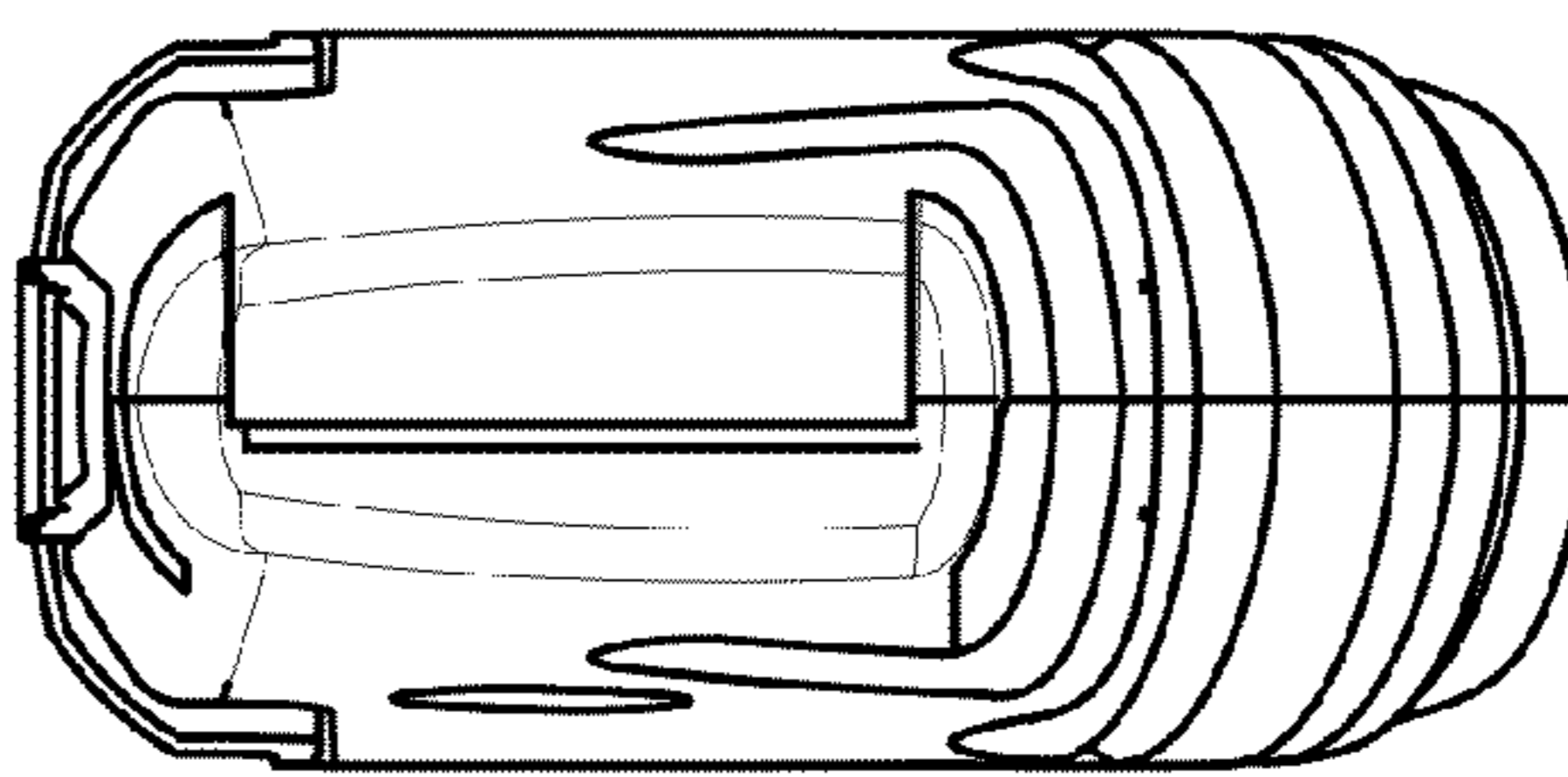


Fig. 5

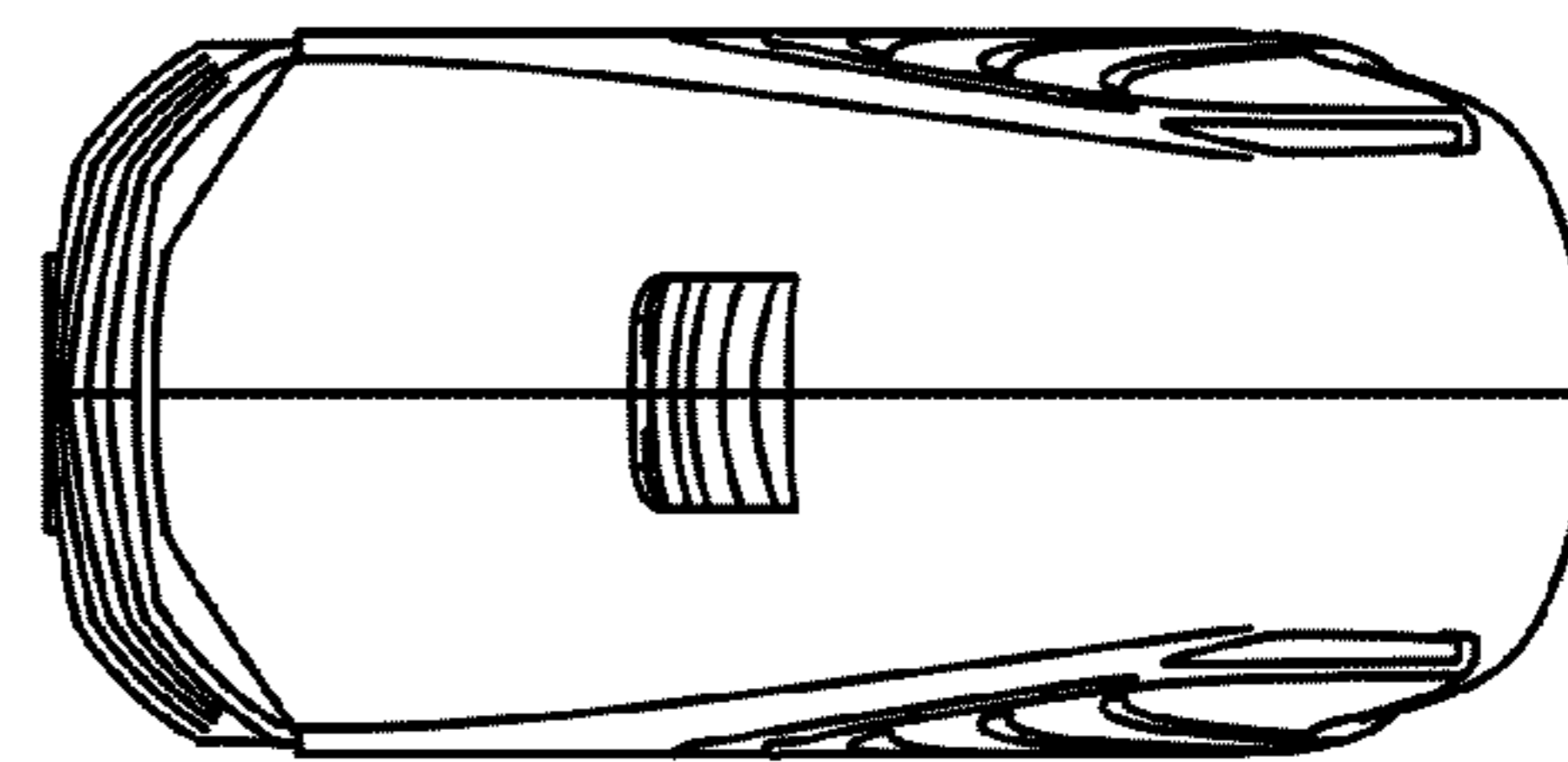


Fig. 6