



US00D710175S

(12) **United States Design Patent**
Moss et al.

(10) **Patent No.:** **US D710,175 S**
(45) **Date of Patent:** **** Aug. 5, 2014**

(54) **SLEEVE FOR SCREWDRIVING BIT**

FOREIGN PATENT DOCUMENTS

(71) Applicant: **Black & Decker Inc.**, Newark, DE (US)

DE 3907567 A1 9/1989
DE 202004004469 U1 5/2004

(72) Inventors: **Darren B. Moss**, York, PA (US);
Michael P. Peters, Lutherville, MD (US)

(Continued)

(73) Assignee: **Black & Decker Inc.**, Newark, DE (US)

OTHER PUBLICATIONS

(**) Term: **14 Years**

(21) Appl. No.: **29/464,308**

DeBoer, Clint. Makita Impact GOLD Ultra Magnetic Insert Bit Set Review. Pro Tool Reviews., Aug. 29, 2013 [online], [retrieved on Feb. 15, 2014]. Retrieved from the Internet <URL: <http://www.protoolreviews.com/tools/power/accessories/makita-impact-gold-bits/7107>>.*

(22) Filed: **Aug. 15, 2013**

(Continued)

(51) **LOC (10) Cl.** **08-03**

(52) **U.S. Cl.**

USPC **D8/70**

Primary Examiner — Philip S Hyder

Assistant Examiner — Darlington Ly

(58) **Field of Classification Search**

CPC B25B 15/00; B25B 23/0035; B25B 23/12;
B25B 23/0028; B25B 23/00; B25B 23/10;
B25B 23/08; B25F 1/003; B25G 1/066
USPC D15/138, 139; 81/124.2, 176.15, 176.2,
81/177.1, 177.2, 437; 279/62, 143, 145,
279/902; 299/87.1, 106, 107, 109; 408/143,
408/144, 153, 223

(74) *Attorney, Agent, or Firm* — Scott B. Markow

See application file for complete search history.

(57) **CLAIM**

The ornamental design for a sleeve for a screwdriving bit, as shown and described.

(56) **References Cited**

U.S. PATENT DOCUMENTS

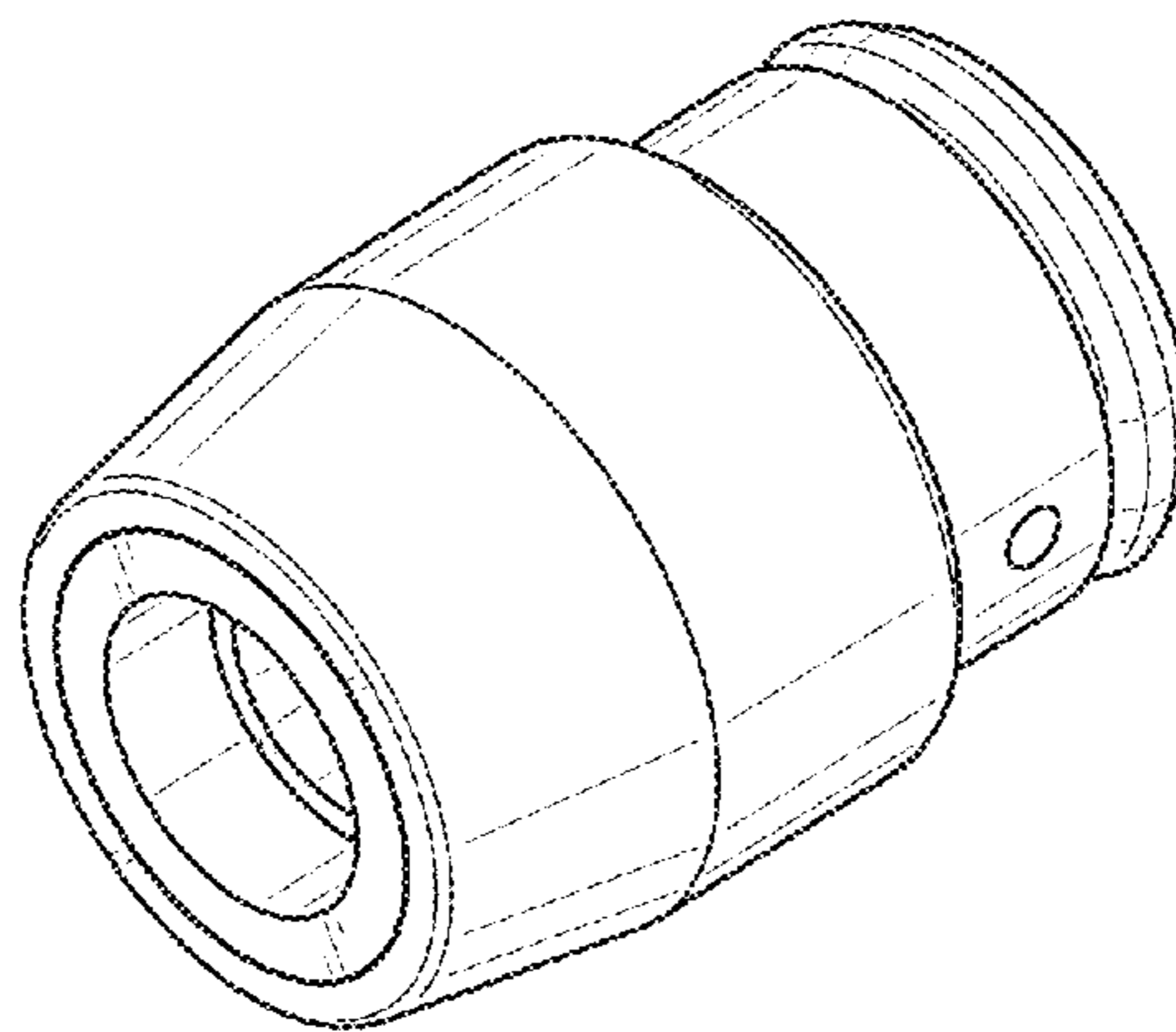
2,522,217 A 9/1950 Fischer et al.
3,604,488 A 9/1971 Wishart
3,742,656 A 7/1973 Amos
5,056,387 A 10/1991 Cook
D330,318 S * 10/1992 Snider D8/70
5,152,642 A 10/1992 Pitts et al.
5,385,420 A 1/1995 Newman, Sr. et al.

(Continued)

DESCRIPTION

FIG. 1 is a perspective view of a sleeve for a screwdriving bit. FIG. 2 is a top view of the sleeve of FIG. 1. FIG. 3 is a bottom view of the sleeve of FIG. 1. FIG. 4 is a left view of the sleeve of FIG. 1. FIG. 5 is a right view of the sleeve of FIG. 1. FIG. 6 is a front view of the sleeve of FIG. 1; and, FIG. 7 is a rear view of the sleeve of FIG. 1. The broken lines shown in the drawings illustrate portions of the sleeve for screwdriving bit forms no part of claimed design.

1 Claim, 6 Drawing Sheets



(56)

References Cited

U.S. PATENT DOCUMENTS

5,515,754 A * 5/1996 Elkins 81/177.9
 5,704,261 A 1/1998 Strauch et al.
 5,868,047 A 2/1999 Faust et al.
 6,053,675 A 4/2000 Holland et al.
 6,082,233 A 7/2000 Han
 6,148,699 A 11/2000 Han
 6,154,108 A 11/2000 Huang
 6,289,541 B1 * 9/2001 Anderson et al. 7/128
 6,341,926 B1 1/2002 Liu
 6,354,177 B2 3/2002 Peters
 D457,046 S * 5/2002 Boyle et al. D8/70
 D457,797 S * 5/2002 Huang D8/70
 6,464,234 B2 10/2002 Frauhammer et al.
 6,530,299 B1 3/2003 Liu
 6,698,319 B2 3/2004 Huang
 D497,300 S * 10/2004 Chen D8/85
 6,929,266 B2 8/2005 Peters et al.
 6,931,967 B1 8/2005 Chang
 7,086,813 B1 8/2006 Boyle et al.
 7,096,768 B1 8/2006 Chen
 7,107,882 B1 9/2006 Chang
 7,124,665 B1 10/2006 Chen
 7,131,358 B2 11/2006 Hsien
 7,214,009 B2 5/2007 Quanz
 7,261,023 B2 8/2007 Taguchi
 7,306,396 B1 12/2007 Chen
 D560,109 S * 1/2008 Huang D8/70
 7,387,054 B2 6/2008 Rajotte
 7,565,854 B2 7/2009 Chiang et al.
 7,574,946 B1 8/2009 Chang
 D609,073 S * 2/2010 Lin D8/70
 7,669,860 B2 3/2010 Chiang
 D623,036 S 9/2010 DeBaker
 7,823,890 B2 11/2010 Chen
 D631,723 S 2/2011 DeBaker
 7,942,426 B2 5/2011 Peters
 D646,139 S 10/2011 Hsu

D646,547 S 10/2011 DeBaker
 8,176,817 B2 * 5/2012 Liu 81/177.75
 2002/0166421 A1 11/2002 Bowerman
 2005/0098002 A1 5/2005 Holland-Letz
 2005/0166725 A1 8/2005 Chen
 2006/0027057 A1 2/2006 Hsien
 2006/0107801 A1 5/2006 Hsien
 2006/0123957 A1 6/2006 Hsien
 2007/0234856 A1 * 10/2007 Liu 81/438
 2008/0184853 A1 8/2008 Chen
 2008/0216618 A1 9/2008 Chen
 2009/0139378 A1 6/2009 Chiang et al.
 2009/0139379 A1 6/2009 Chiang et al.
 2009/0165606 A1 7/2009 Hsien
 2009/0174157 A1 7/2009 Chang
 2009/0288525 A1 11/2009 Chen
 2009/0314143 A1 12/2009 Chen
 2011/0197721 A1 8/2011 DeBaker
 2012/0160064 A1 * 6/2012 Moss et al. 81/125
 2012/0275875 A1 11/2012 Gischus et al.
 2013/0220086 A1 * 8/2013 Peters et al. 81/451
 2013/0328276 A1 * 12/2013 Moss et al. 279/102

FOREIGN PATENT DOCUMENTS

DE 202005013315 U1 10/2005
 DE 202008003131 U1 9/2008
 DE 102010016053 A1 2/2011
 DK 200101378 A 4/2002
 FR 2631275 A1 11/1989

OTHER PUBLICATIONS

New Product Ideas/Inventions: Twist-Lok Drill & Drive System;
 Mar. 1, 2007 (5 pages).
 Three (3) photographs of a Vessel 2H drill bit with floating magnet
 sleeve, with packaging (Date Unknown).
 Screen shots of a bit holder with a floating ring magnet—2 pages
 (Date Unknown).

* cited by examiner

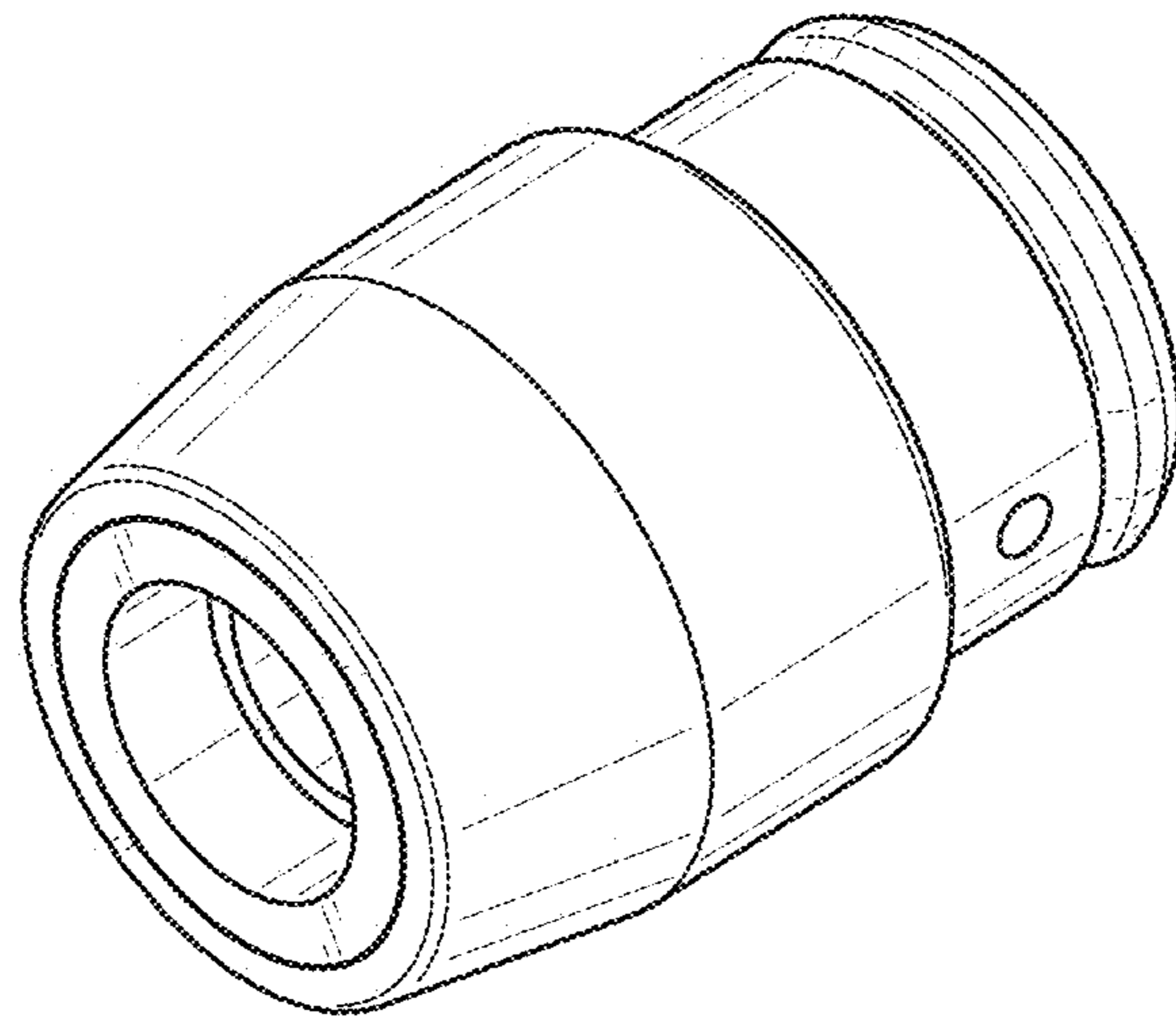


FIG. 1

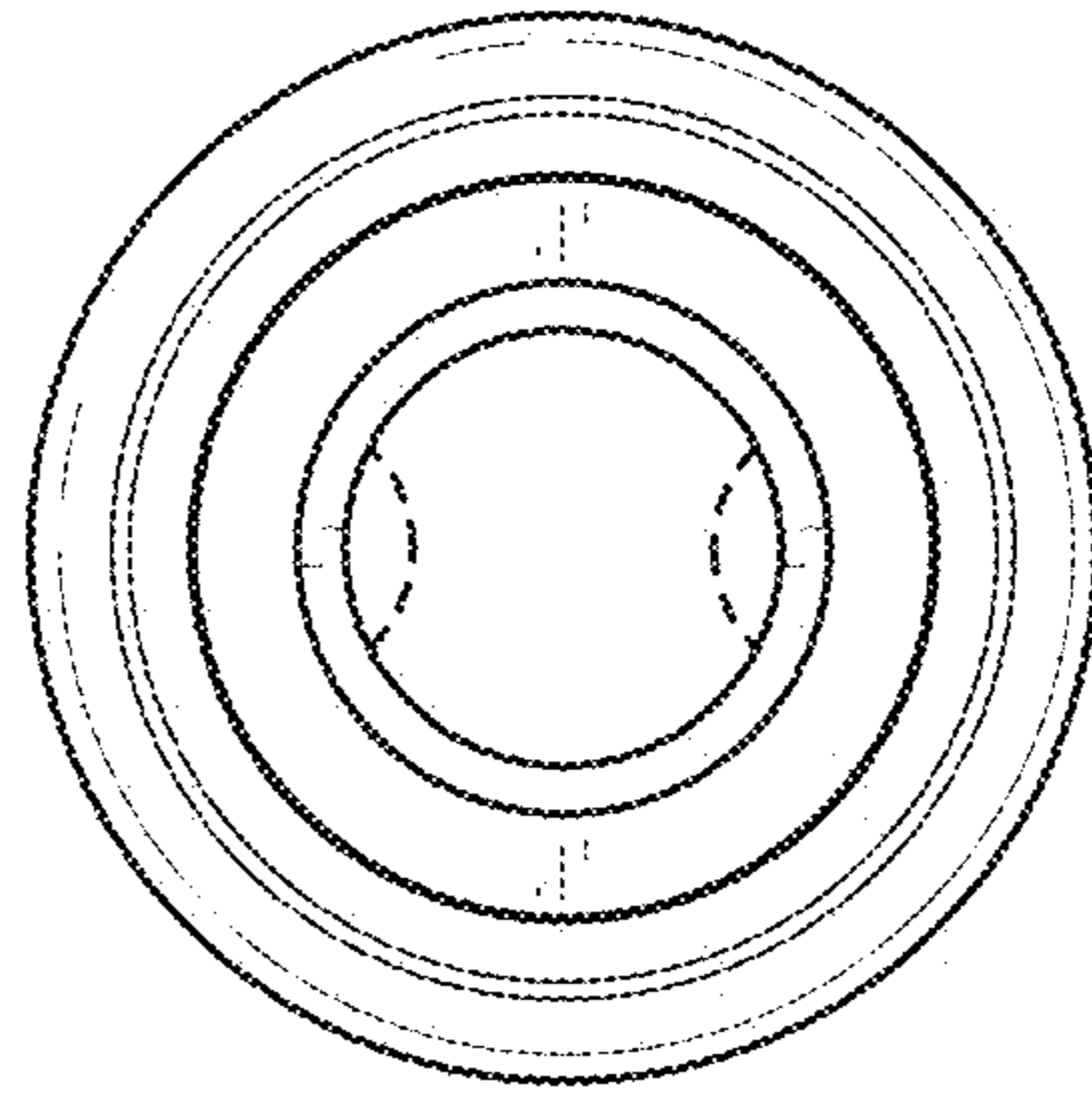


FIG. 2

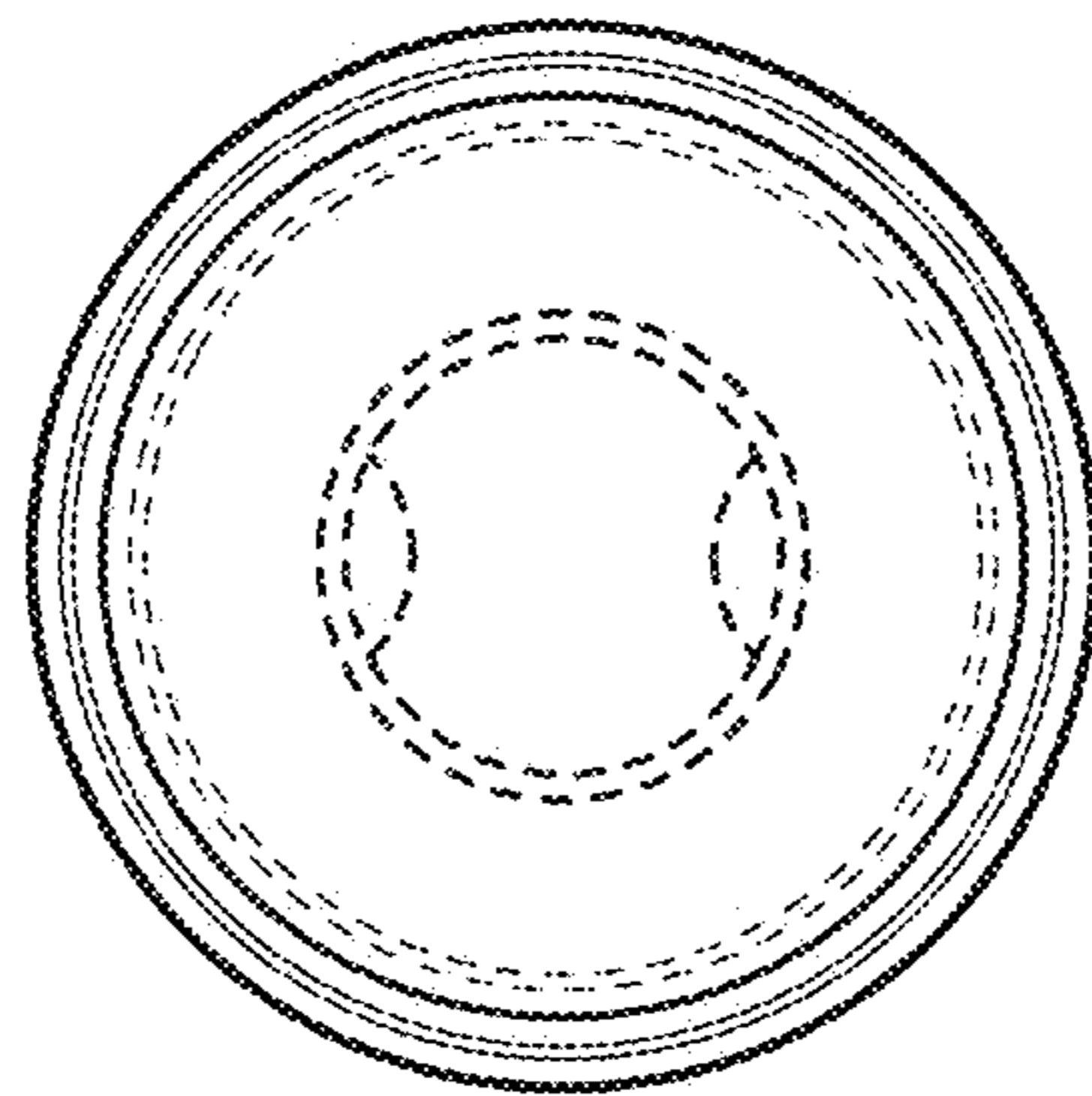


FIG. 3

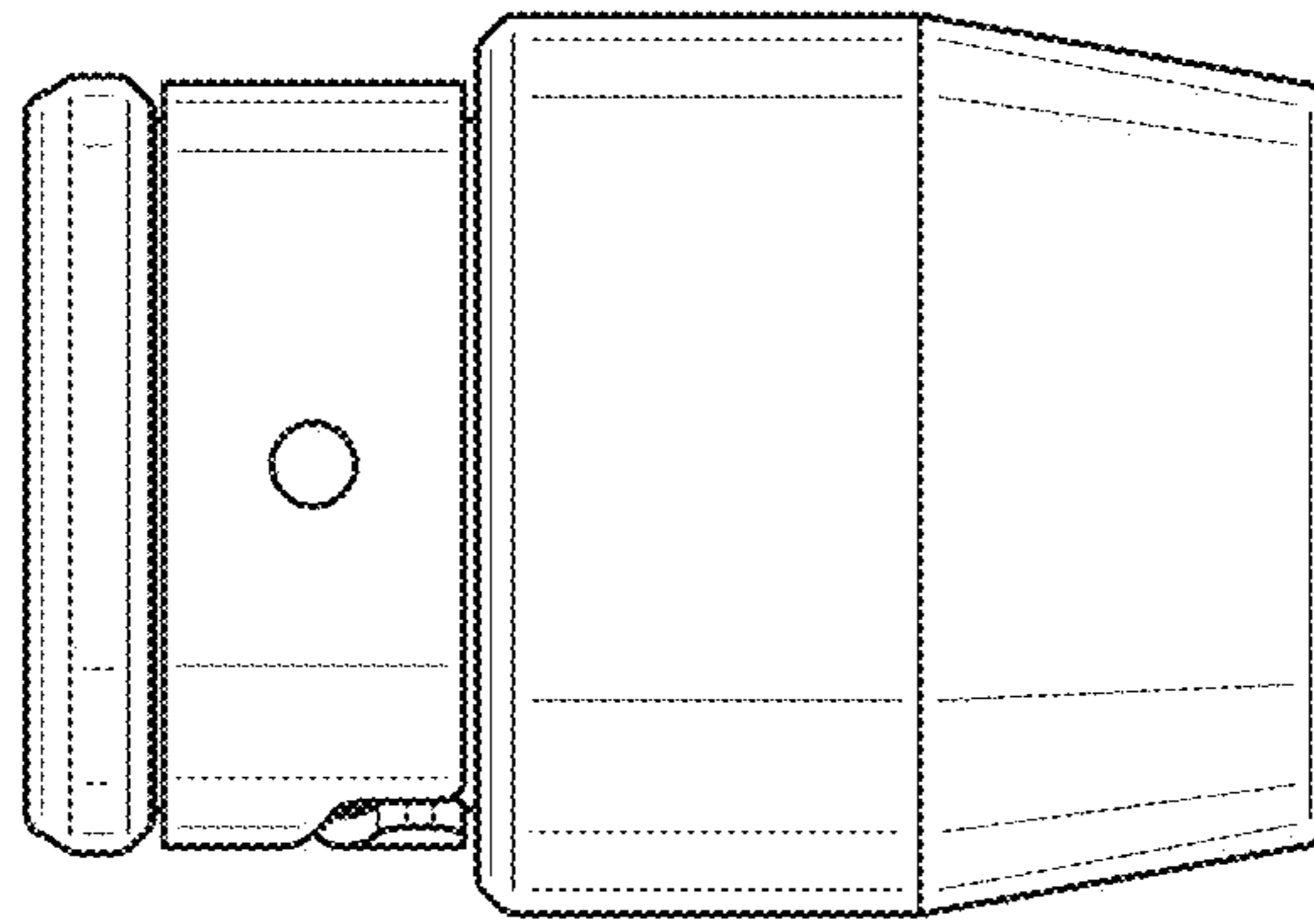


FIG. 4

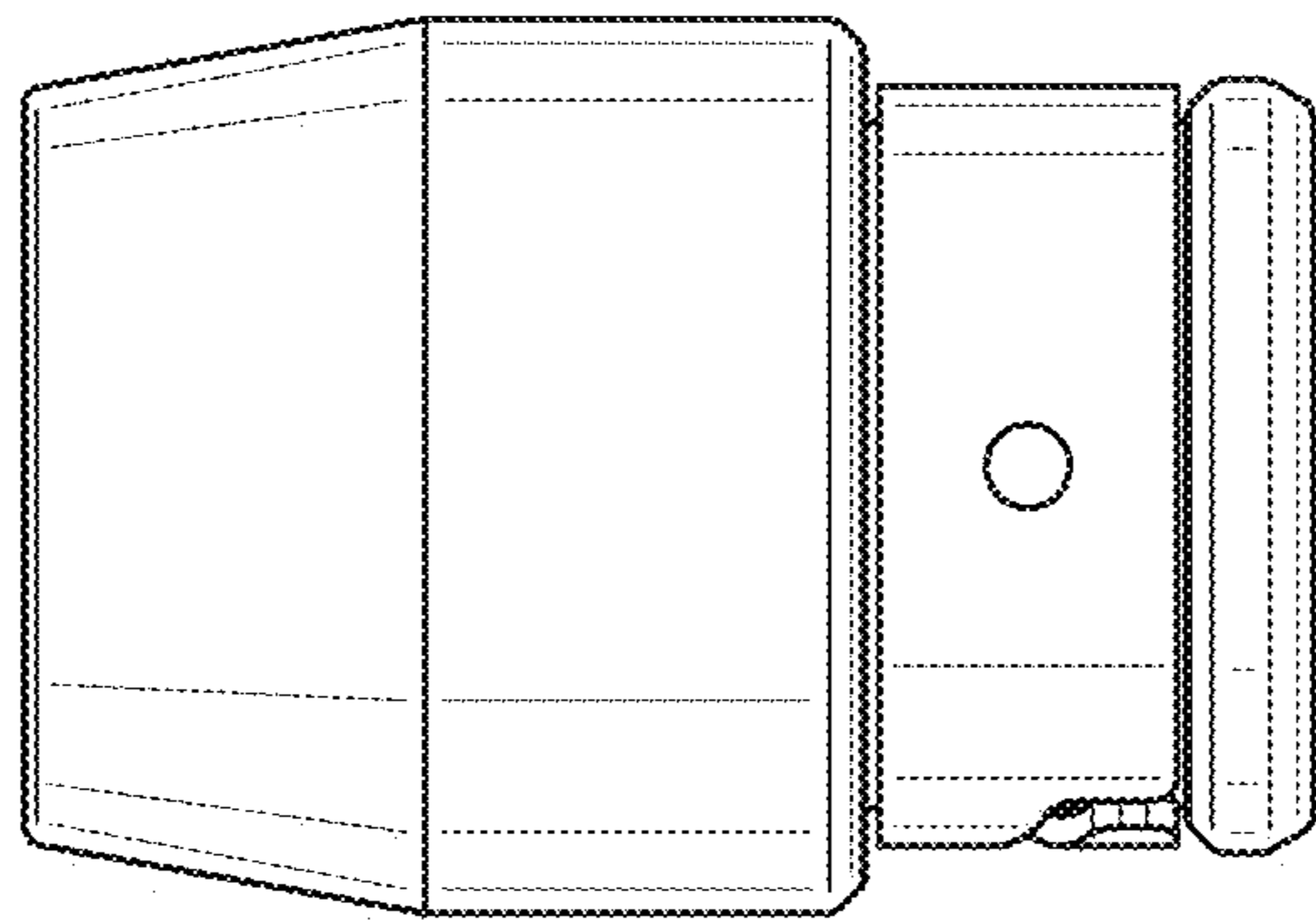


FIG. 5

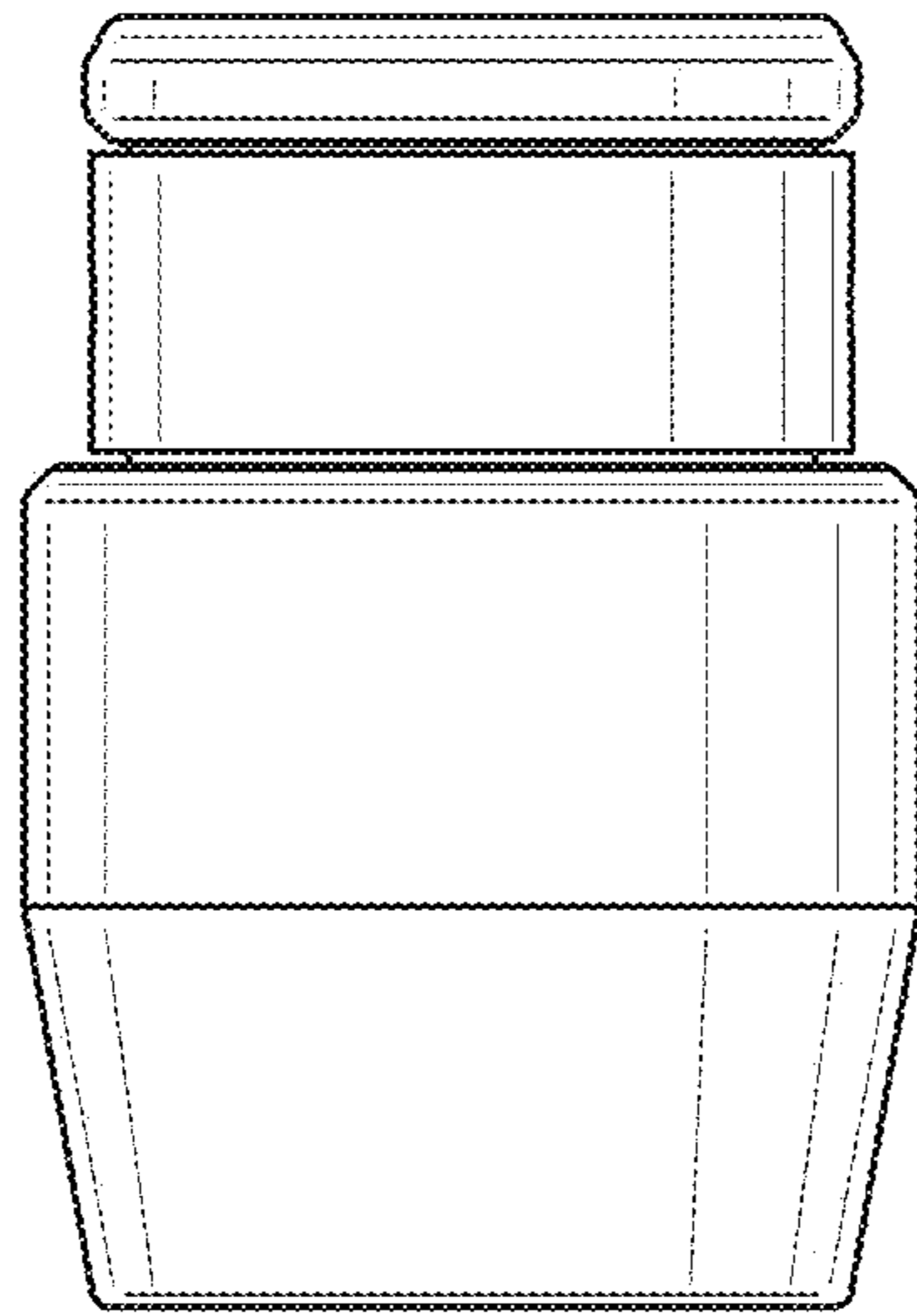


FIG. 6

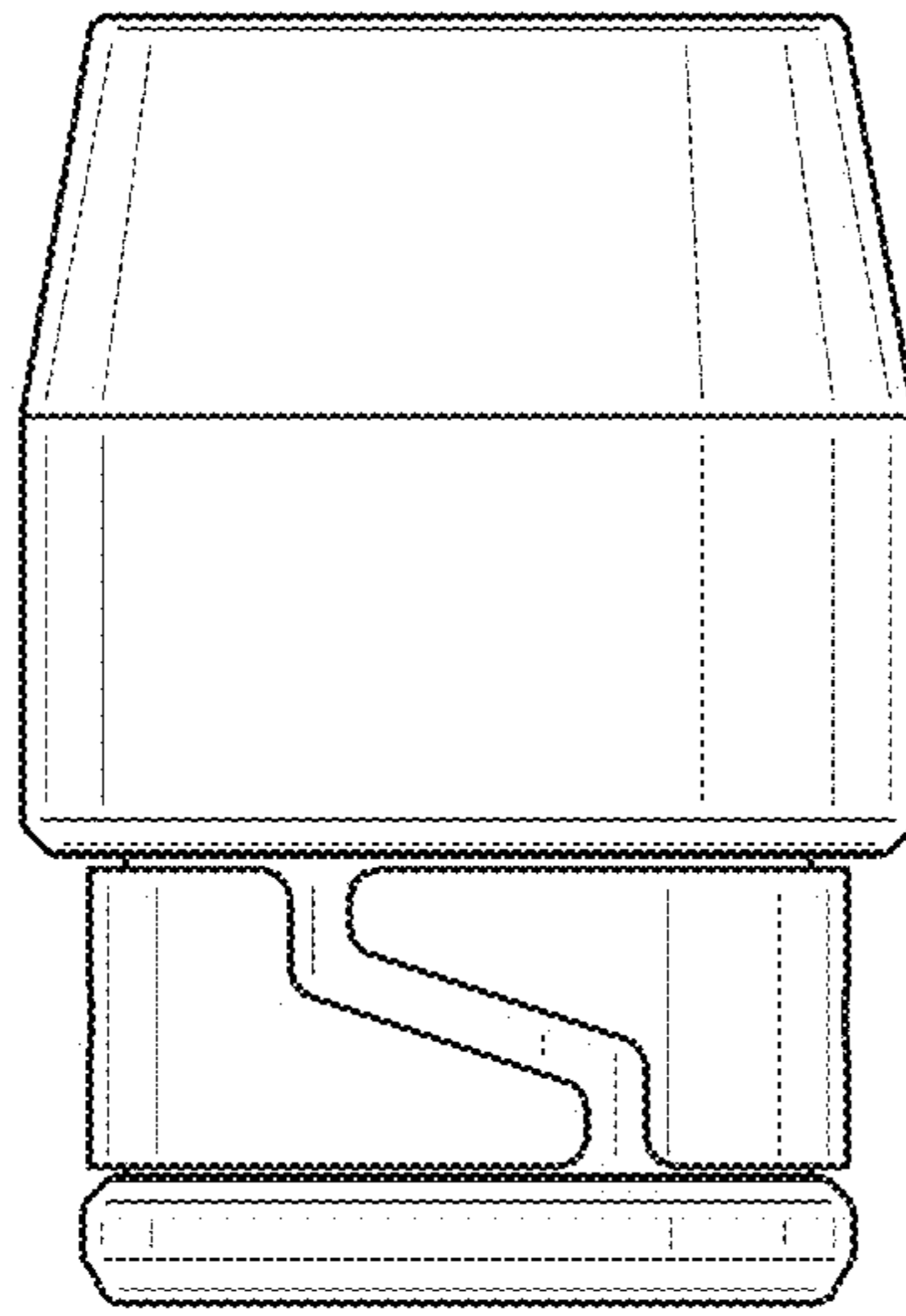


FIG. 7