



US00D710174S

(12) **United States Design Patent**
Moss

(10) **Patent No.:** **US D710,174 S**
(45) **Date of Patent:** **** Aug. 5, 2014**

(54) **SLEEVE FOR SCREWDRIVING BIT**

FOREIGN PATENT DOCUMENTS

(71) Applicant: **Black & Decker Inc.**, Newark, DE (US)

DE 3907567 A1 9/1989
DE 202004004469 U1 5/2004

(72) Inventor: **Darren B. Moss**, York, PA (US)

(Continued)

(73) Assignee: **Black & Decker Inc.**, Newark, DE (US)

OTHER PUBLICATIONS

(**) Term: **14 Years**

DeBoer, Clint. Makita Impact Gold Ultra Magnetic Insert Bit Set Review. Pro Tool Reviews., Aug. 29, 2013 [online], [retrieved on Feb. 15, 2014]. Retrieved from the Internet <URL: <http://www.protoolreviews.com/tools/power/accessories/makitaimpact-gold-bits/7107>>.*

(21) Appl. No.: **29/464,306**

(22) Filed: **Aug. 15, 2013**

(51) **LOC (10) Cl.** **08-03**

(Continued)

(52) **U.S. Cl.**

USPC **D8/70**

(58) **Field of Classification Search**

CPC B25B 15/00; B25B 23/0035; B25B 23/12;
B25B 23/0028; B25B 23/00; B25B 23/10;
B25B 23/08; B25F 1/003; B25G 1/066
USPC D15/138, 139; 81/124.2, 176.15, 176.2,
81/177.1, 177.2, 437; 279/62, 143, 145,
279/902; 299/87.1, 106, 107, 109; 408/143,
408/144, 153, 223

See application file for complete search history.

Primary Examiner — Philip S Hyder

Assistant Examiner — Darlington Ly

(74) *Attorney, Agent, or Firm* — Scott B. Markow

(57) **CLAIM**

The ornamental design for a sleeve for a screwdriving bit, as shown and described.

DESCRIPTION

FIG. 1 is a perspective view of a sleeve for a screwdriving bit. FIG. 2 is a top view of the sleeve of FIG. 1. FIG. 3 is a bottom view of the sleeve of FIG. 1. FIG. 4 is a left view of the sleeve of FIG. 1. FIG. 5 is a right view of the sleeve of FIG. 1. FIG. 6 is a front view of the sleeve of FIG. 1; and, FIG. 7 is a rear view of the sleeve of FIG. 1. The broken lines shown in the drawings illustrate portions of the sleeve for screwdriving bit that forms no part of claimed design.

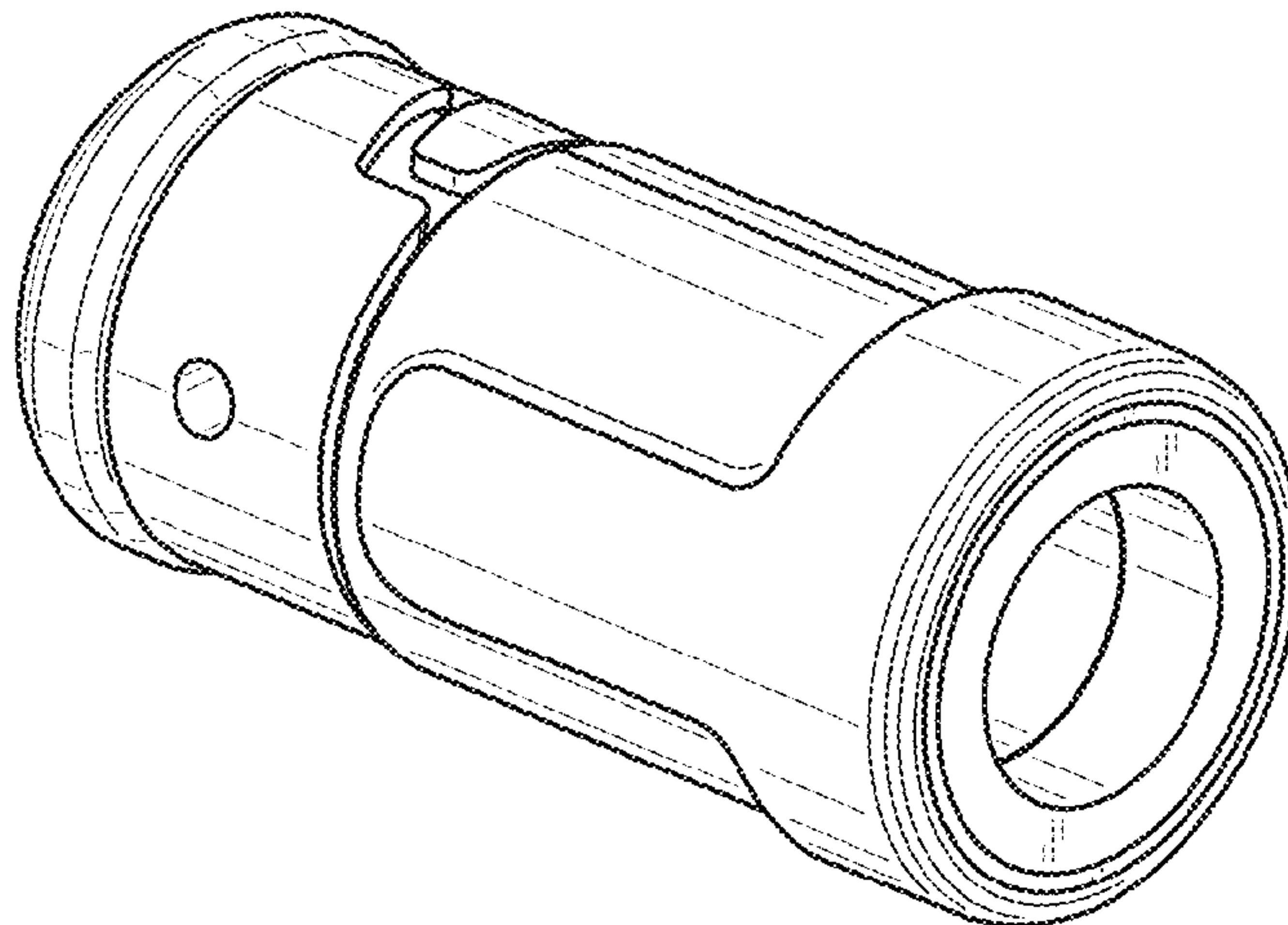
(56) **References Cited**

U.S. PATENT DOCUMENTS

2,522,217 A 9/1950 Fischer et al.
3,604,488 A 9/1971 Wishart
3,742,656 A 7/1973 Amos
5,056,387 A 10/1991 Cook
D330,318 S * 10/1992 Snider D8/70
5,152,642 A 10/1992 Pitts et al.
5,385,420 A 1/1995 Newman, Sr. et al.
5,515,754 A * 5/1996 Elkins 81/177.9

(Continued)

1 Claim, 6 Drawing Sheets



(56)

References Cited

U.S. PATENT DOCUMENTS

5,704,261 A 1/1998 Strauch et al.
 5,868,047 A 2/1999 Faust et al.
 6,053,675 A 4/2000 Holland et al.
 6,082,233 A 7/2000 Han
 6,148,699 A 11/2000 Han
 6,154,108 A 11/2000 Huang
 6,289,541 B1 * 9/2001 Anderson et al. 7/128
 6,341,926 B1 1/2002 Liu
 6,354,177 B2 3/2002 Peters
 D457,046 S * 5/2002 Boyle et al. D8/70
 D457,797 S * 5/2002 Huang D8/70
 6,464,234 B2 10/2002 Frauhammer et al.
 6,530,299 B1 3/2003 Liu
 6,698,319 B2 3/2004 Huang
 D497,300 S * 10/2004 Chen D8/85
 6,929,266 B2 8/2005 Peters et al.
 6,931,967 B1 8/2005 Chang
 7,086,813 B1 8/2006 Boyle et al.
 7,096,768 B1 8/2006 Chen
 7,107,882 B1 9/2006 Chang
 7,124,665 B1 10/2006 Chen
 7,131,358 B2 11/2006 Hsien
 7,214,009 B2 5/2007 Quanz
 7,261,023 B2 8/2007 Taguchi
 7,306,396 B1 12/2007 Chen
 D560,109 S * 1/2008 Huang D8/70
 7,387,054 B2 6/2008 Rajotte
 7,565,854 B2 7/2009 Chiang et al.
 7,574,946 B1 8/2009 Chang
 D609,073 S * 2/2010 Lin D8/70
 7,669,860 B2 3/2010 Chiang
 D623,036 S 9/2010 DeBaker
 7,823,890 B2 11/2010 Chen
 D631,723 S 2/2011 DeBaker
 7,942,426 B2 5/2011 Peters
 D646,139 S 10/2011 Hsu
 D646,547 S 10/2011 Debaker

8,176,817 B2 * 5/2012 Liu 81/177.75
 2002/0166421 A1 11/2002 Bowerman
 2005/0098002 A1 5/2005 Holland-Letz
 2005/0166725 A1 8/2005 Chen
 2006/0027057 A1 2/2006 Hsien
 2006/0107801 A1 5/2006 Hsien
 2006/0123957 A1 6/2006 Hsien
 2007/0234856 A1 * 10/2007 Liu 81/438
 2008/0184853 A1 8/2008 Chen
 2008/0216618 A1 9/2008 Chen
 2009/0139378 A1 6/2009 Chiang et al.
 2009/0139379 A1 6/2009 Chiang et al.
 2009/0165606 A1 7/2009 Hsien
 2009/0174157 A1 7/2009 Chang
 2009/0288525 A1 11/2009 Chen
 2009/0314143 A1 12/2009 Chen
 2011/0197721 A1 8/2011 DeBaker
 2012/0160064 A1 * 6/2012 Moss et al. 81/125
 2012/0275875 A1 11/2012 Gischus et al.
 2013/0220086 A1 * 8/2013 Peters et al. 81/451
 2013/0328276 A1 * 12/2013 Moss et al. 279/102

FOREIGN PATENT DOCUMENTS

DE 202005013315 U1 10/2005
 DE 202008003131 U1 9/2008
 DE 102010016053 A1 2/2011
 DK 200101378 A 4/2002
 FR 2631275 A1 11/1989

OTHER PUBLICATIONS

New Product Ideas/Inventions: Twist-Lok Drill & Drive System;
 Mar. 1, 2007 (5 pages).
 Three (3) photographs of a Vessel 2H drill bit with floating magnet
 sleeve, with packaging (Date Unknown).
 Screen shots of a bit holder with a floating ring magnet—2 pages
 (Date Unknown).

* cited by examiner

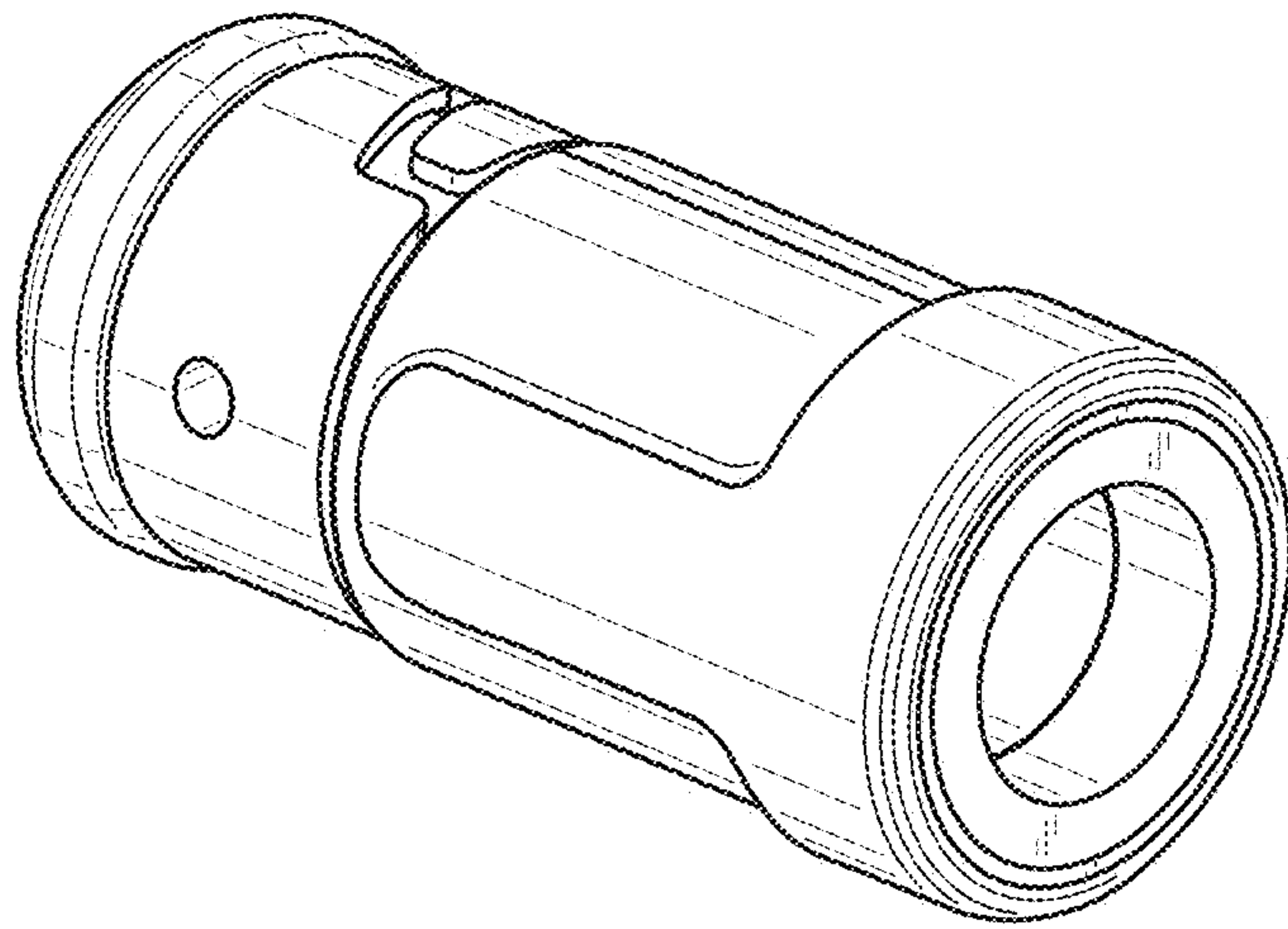


FIG. 1

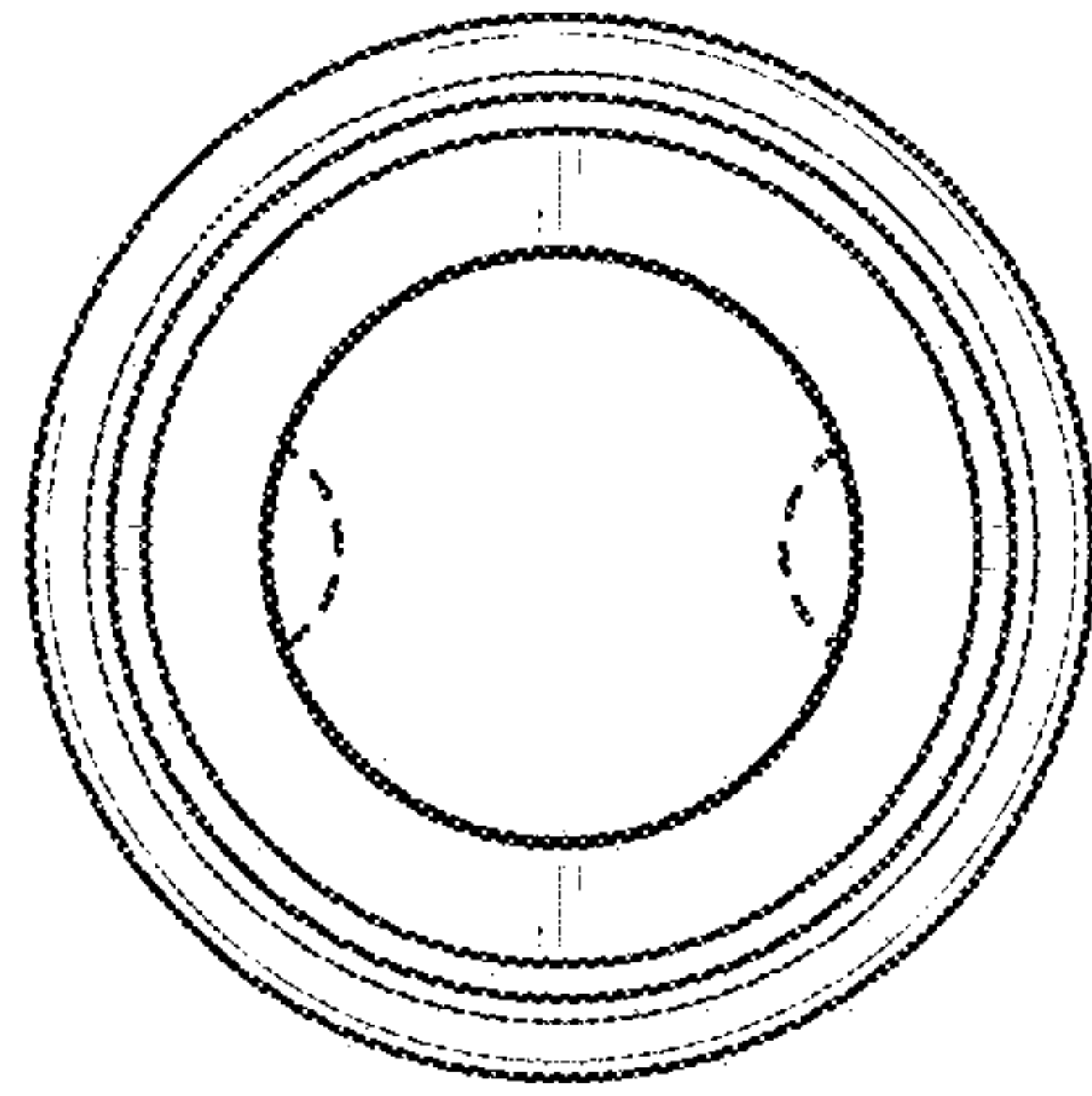


FIG. 2

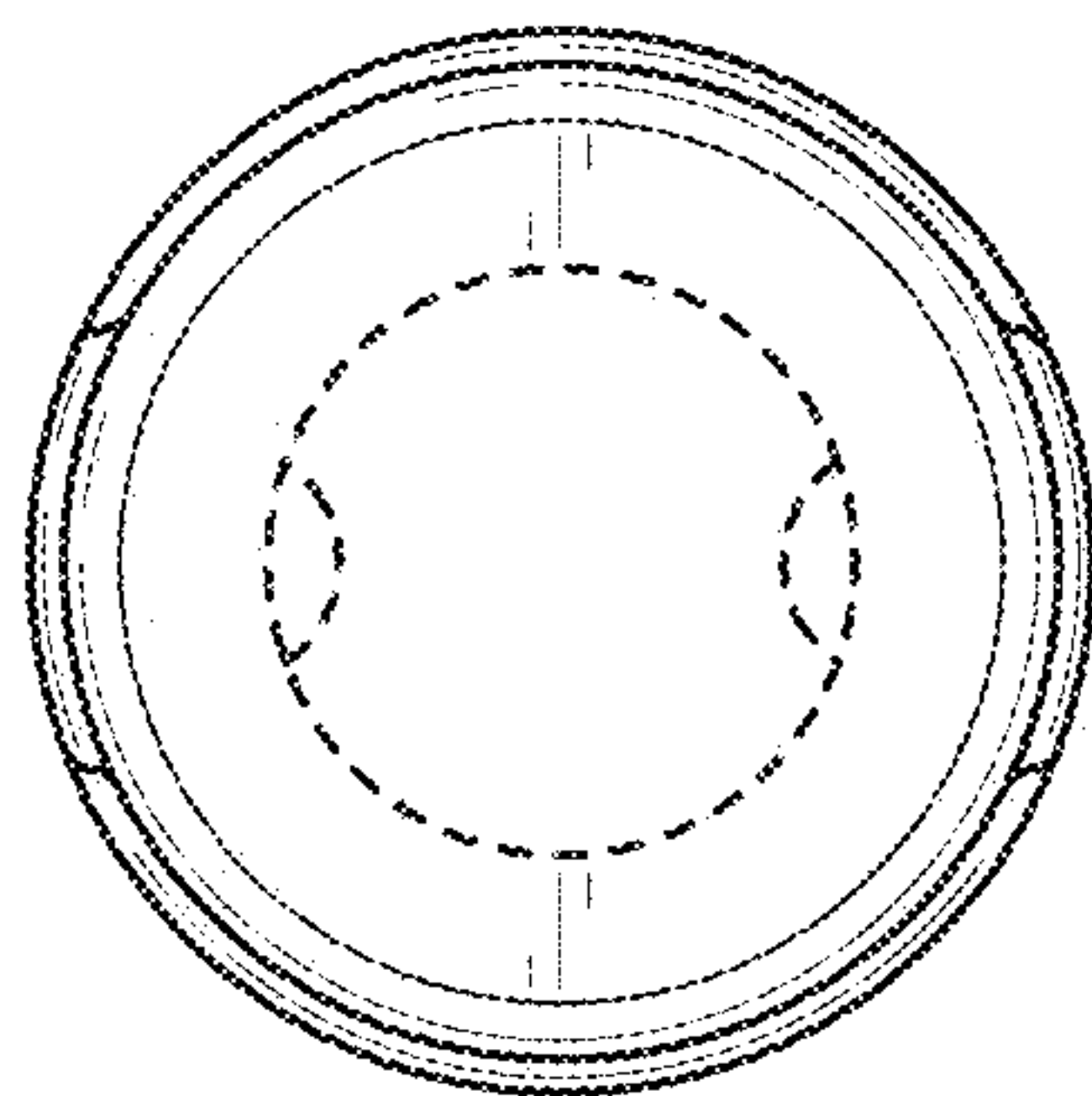


FIG. 3

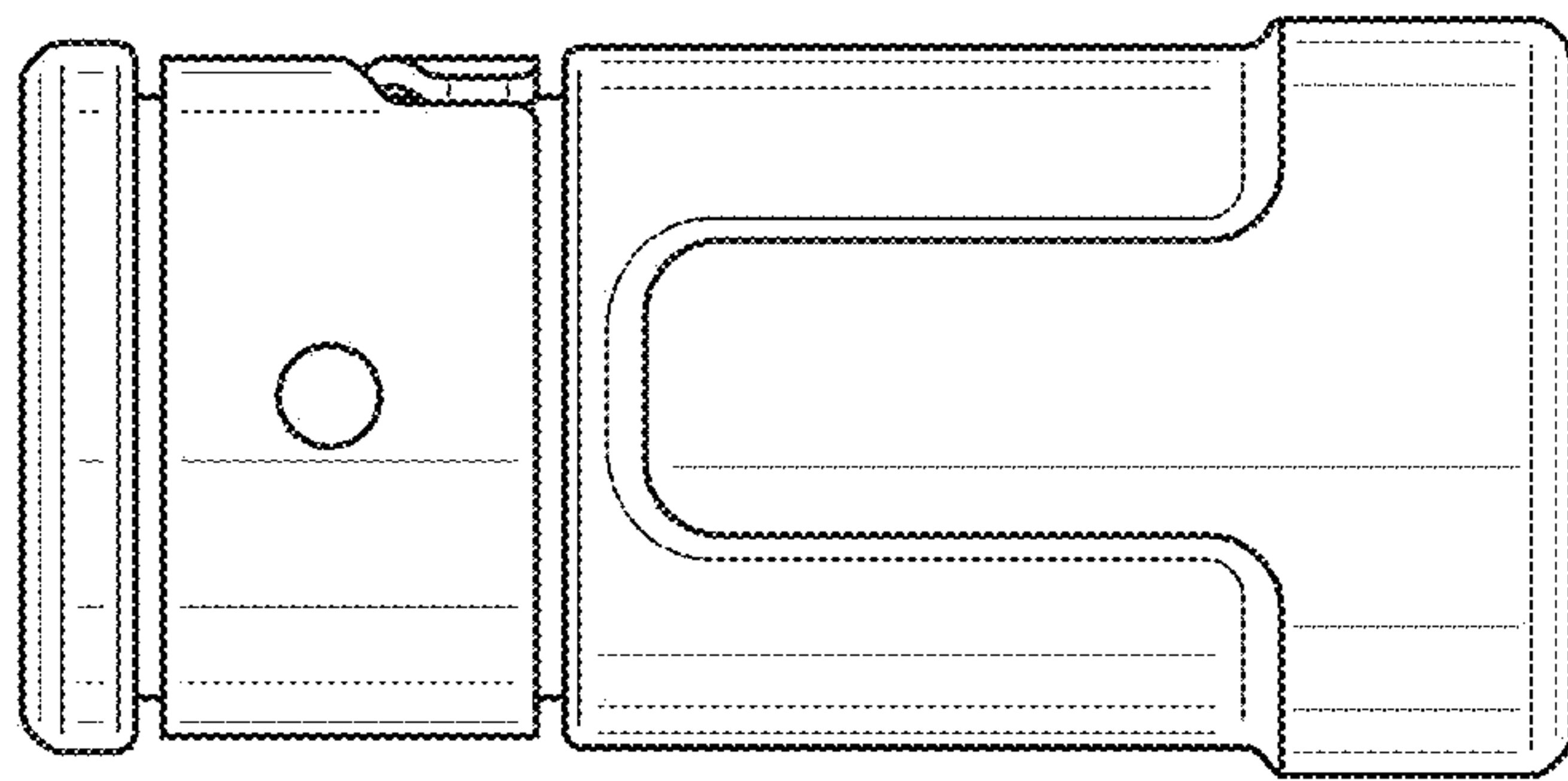


FIG. 4

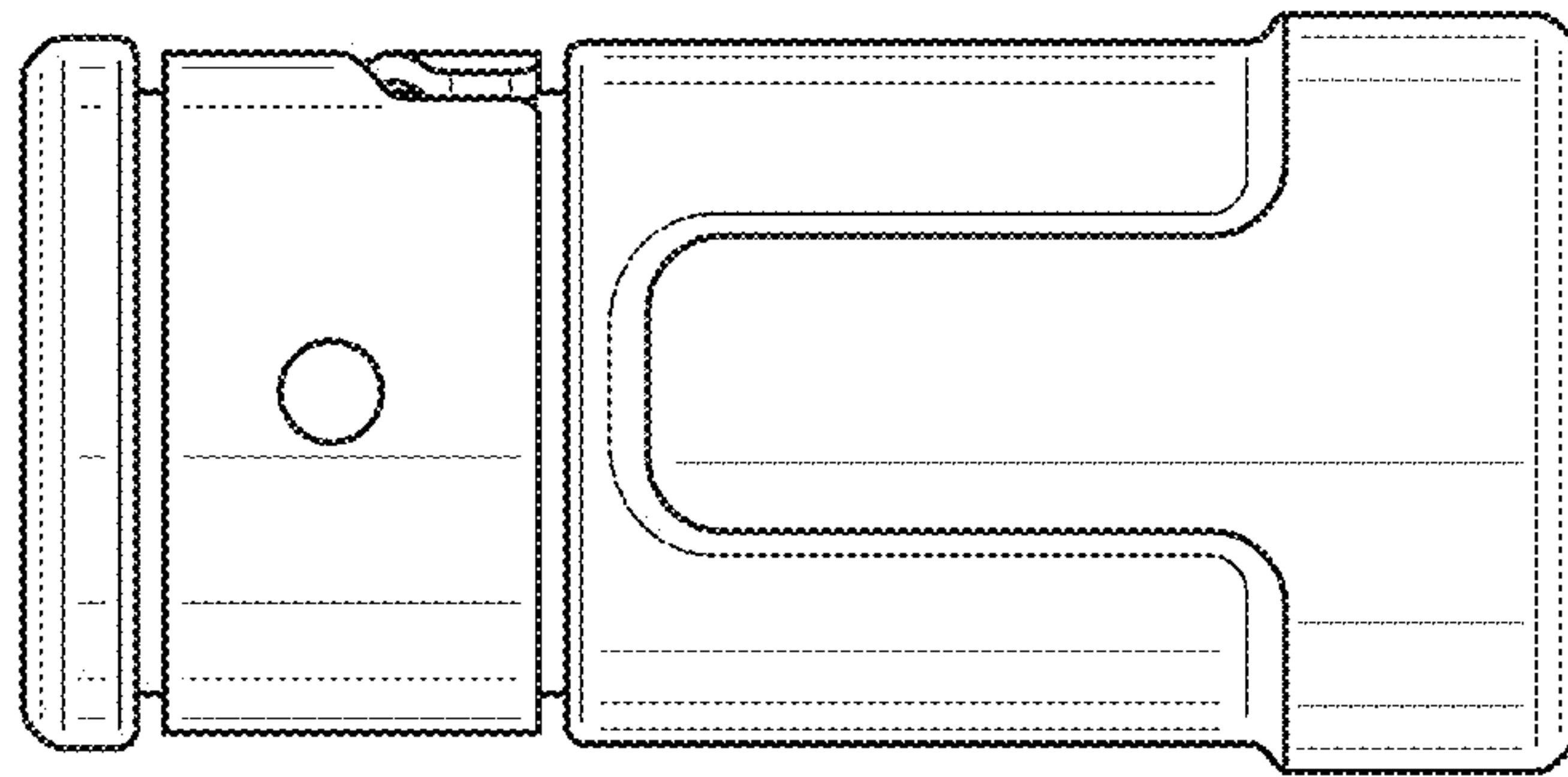


FIG. 5

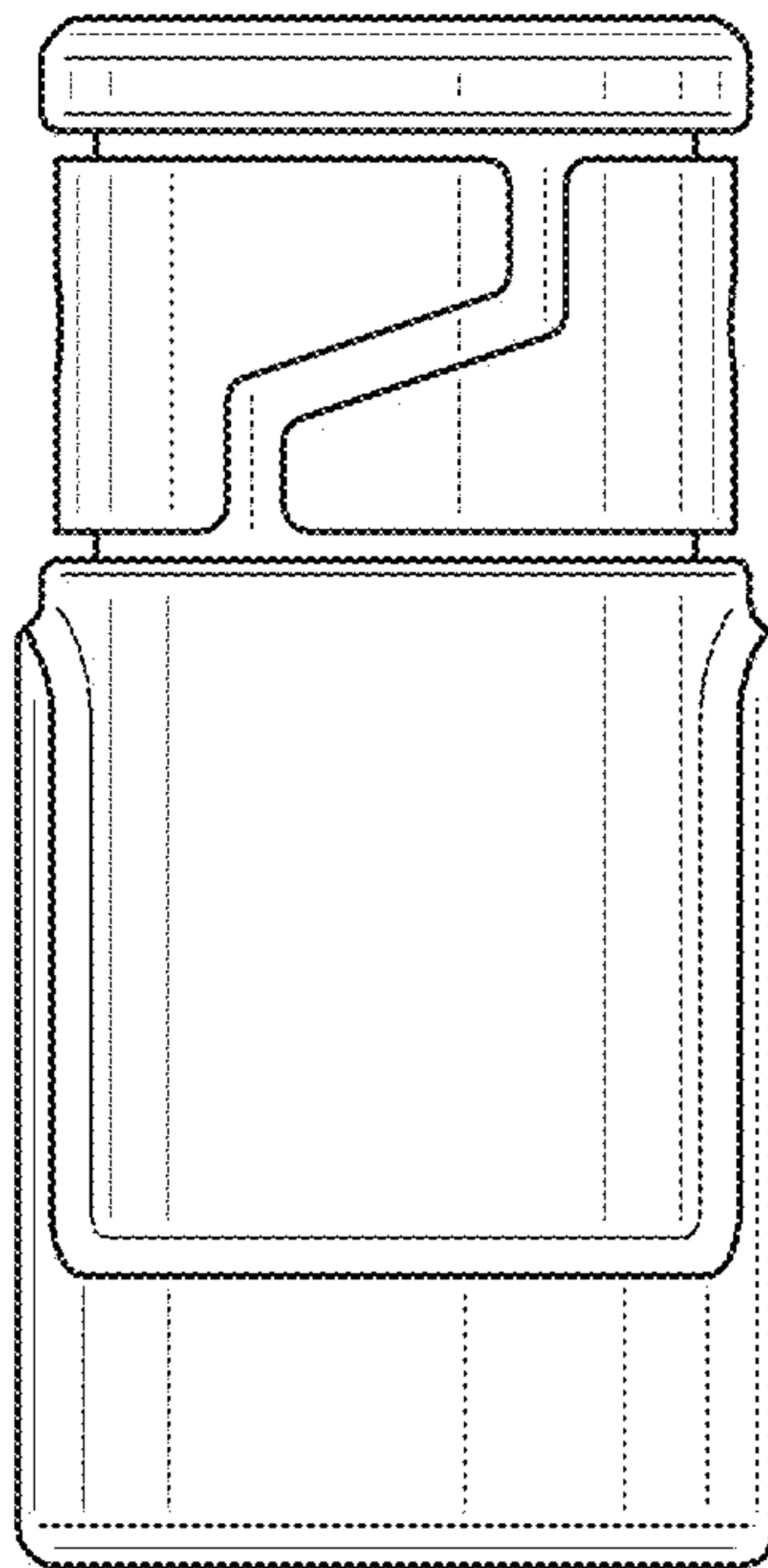


FIG. 6

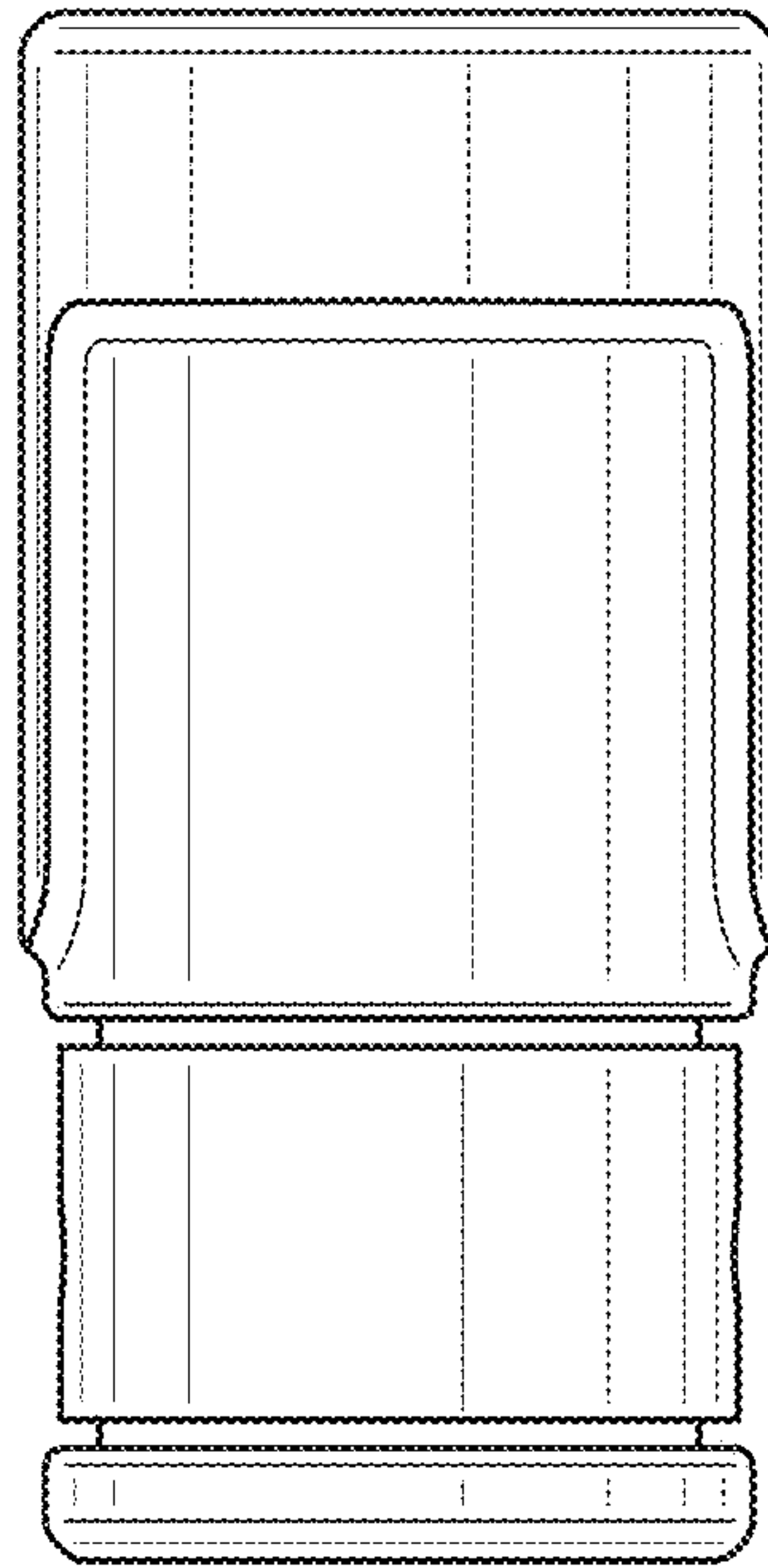


FIG. 7