



US00D710172S

(12) **United States Design Patent**  
**Tschopp**

(10) **Patent No.:** **US D710,172 S**

(45) **Date of Patent:** **\*\* Aug. 5, 2014**

(54) **CORDLESS CIRCULAR SAW**

(71) Applicant: **Black & Decker Inc.**, Newark (DE)

(72) Inventor: **Tylan A. Tschopp**, Baltimore, MD (US)

(73) Assignee: **Black & Decker Inc.**, Newark, DE (US)

(\*\*) Term: **14 Years**

(21) Appl. No.: **29/462,472**

(22) Filed: **Aug. 5, 2013**

(51) **LOC (10) Cl.** ..... **08-03**

(52) **U.S. Cl.**  
USPC ..... **D8/66**

(58) **Field of Classification Search**

USPC ..... D8/69, 68, 67, 66, 64, 61, 70;  
83/698.41, 747, 166.3, 374, 373, 375,  
83/376, 391, 377, 390, 388, 389;  
125/13.01; 144/218

See application file for complete search history.

(56) **References Cited**

**U.S. PATENT DOCUMENTS**

D475,266	S	*	6/2003	Sakai et al.	.....	D8/66
D514,411	S	*	2/2006	Yuen et al.	.....	D8/66
D531,473	S	*	11/2006	Lopano	.....	D8/66
D552,953	S	*	10/2007	Jones	.....	D8/66
D555,450	S	*	11/2007	Van Wambeke	.....	D8/66
D568,705	S	*	5/2008	Lopano et al.	.....	D8/66
D578,853	S	*	10/2008	Gallagher et al.	.....	D8/66

7,526,866	B2	*	5/2009	Schnell et al.	.....	30/124
D632,940	S	*	2/2011	Yamamoto et al.	.....	D8/66
D638,681	S	*	5/2011	Yamada et al.	.....	D8/66
D653,513	S	*	2/2012	Tirone	.....	D8/66
D654,340	S	*	2/2012	Kawase et al.	.....	D8/66
D685,243	S	*	7/2013	Waldron	.....	D8/66
D699,088	S	*	2/2014	Abe et al.	.....	D8/66

\* cited by examiner

*Primary Examiner* — Austin Murphy

(74) *Attorney, Agent, or Firm* — Stephen R. Valancius

(57) **CLAIM**

The ornamental design for a cordless circular saw, as shown and described.

**DESCRIPTION**

FIG. 1 is a perspective view of a cordless circular saw showing my new design;

FIG. 2 is a front view thereof

FIG. 3 is a rear view thereof;

FIG. 4 is a left side view thereof;

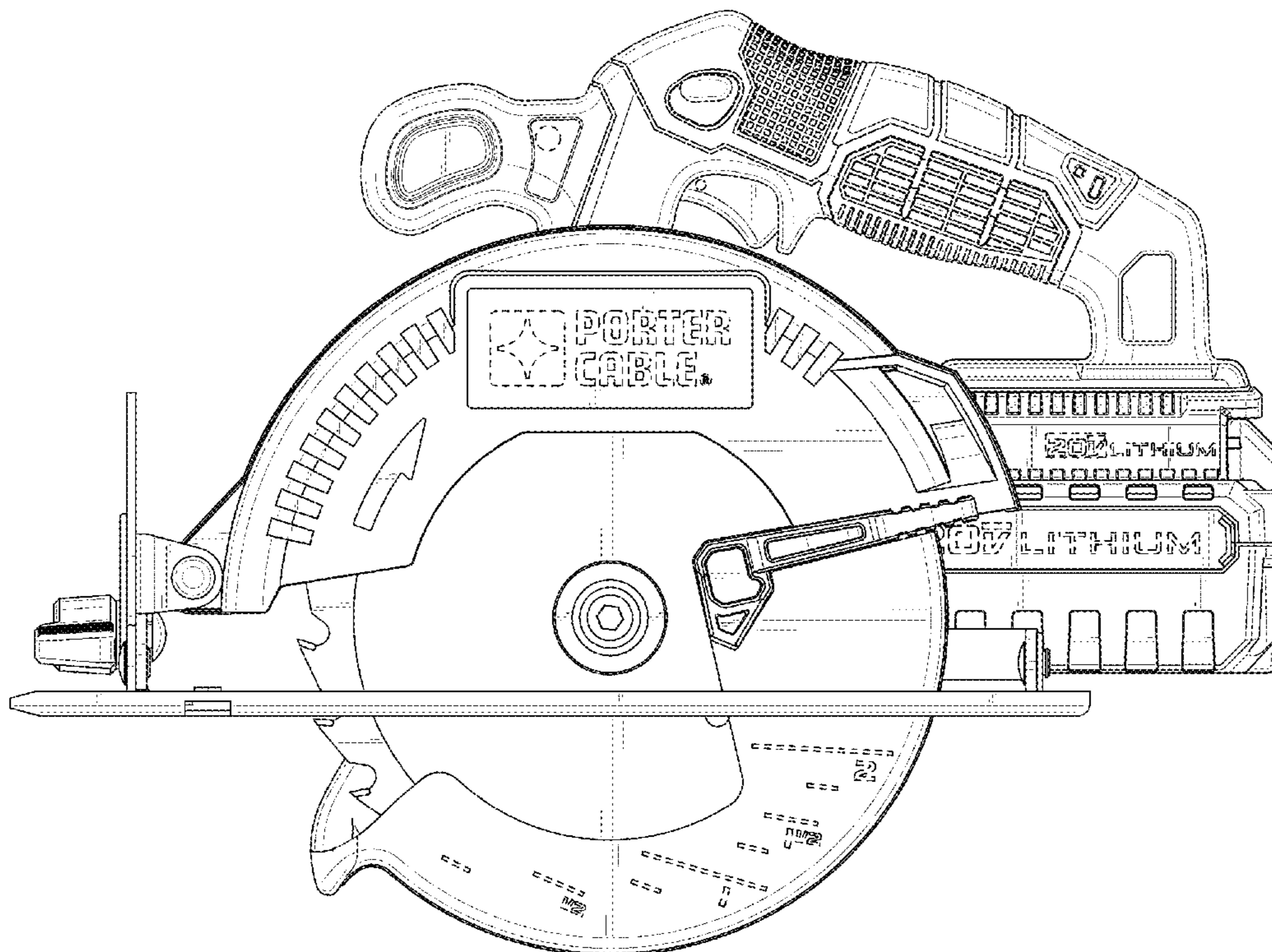
FIG. 5 is a right side view thereof;

FIG. 6 is a top plan view thereof; and,

FIG. 7 is a bottom plan view thereof.

In the above drawings, the broken lines and the areas within the broken lines form no part of the claimed design.

**1 Claim, 7 Drawing Sheets**



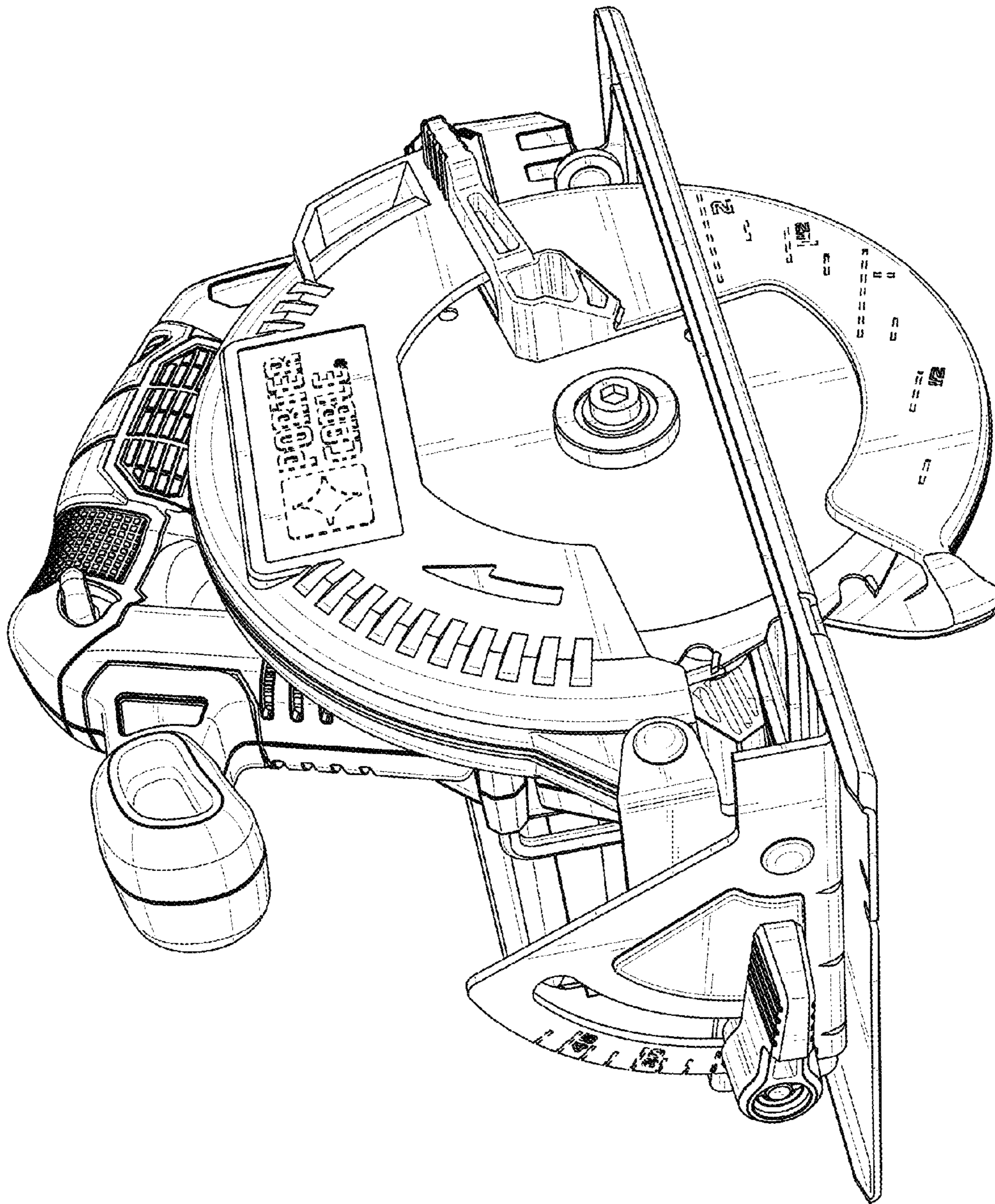


FIG. 1



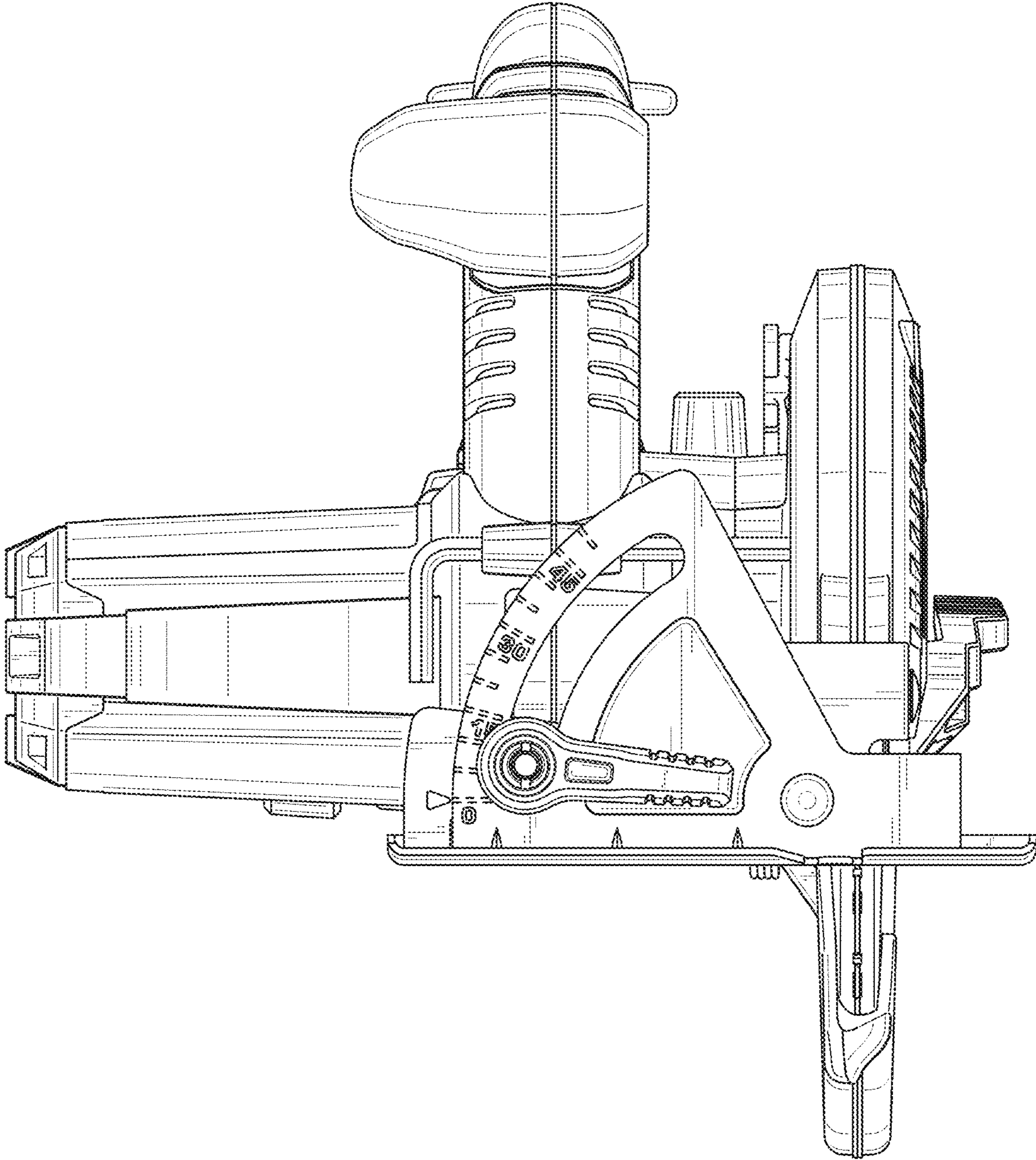


FIG. 2

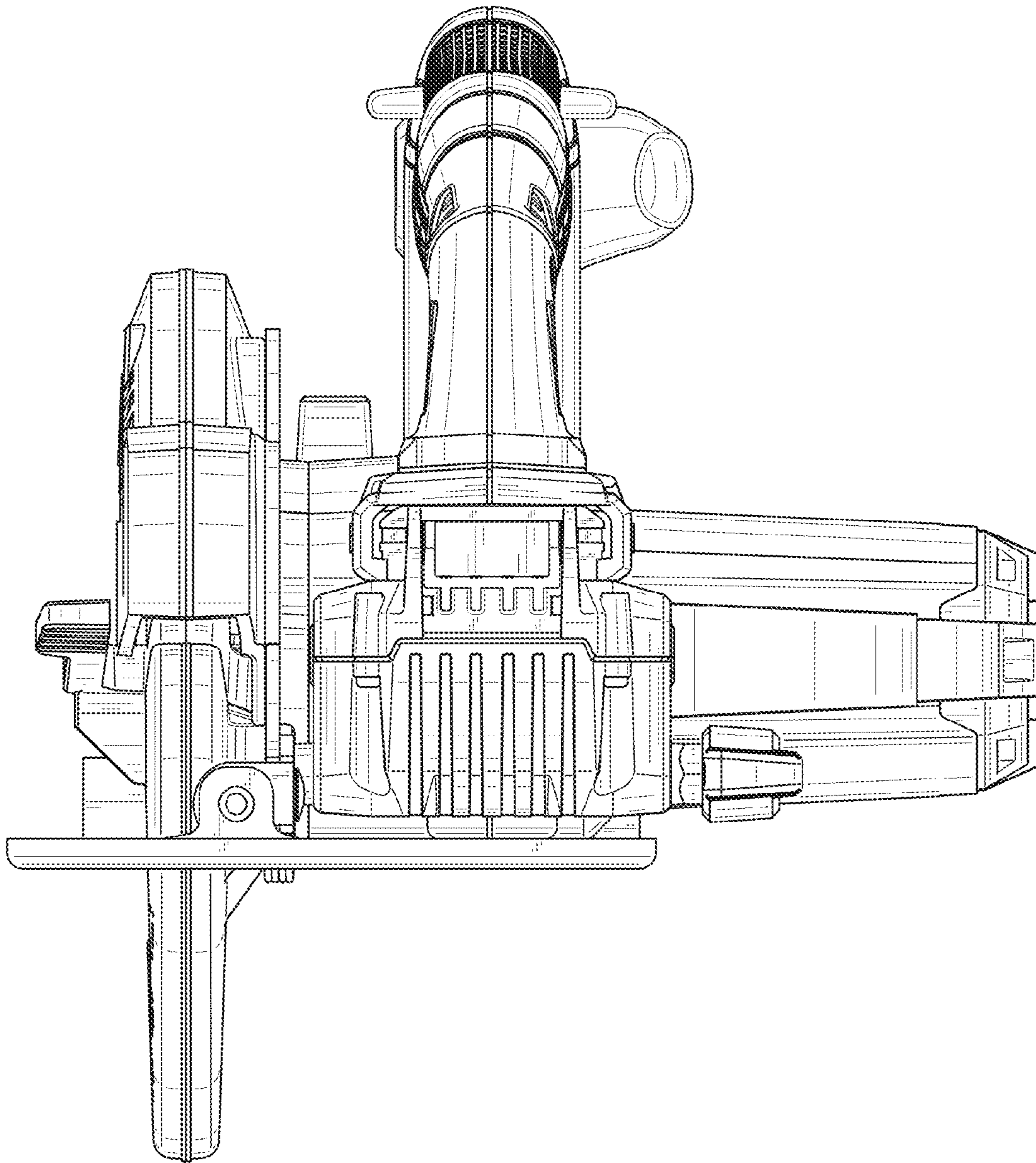


FIG. 3



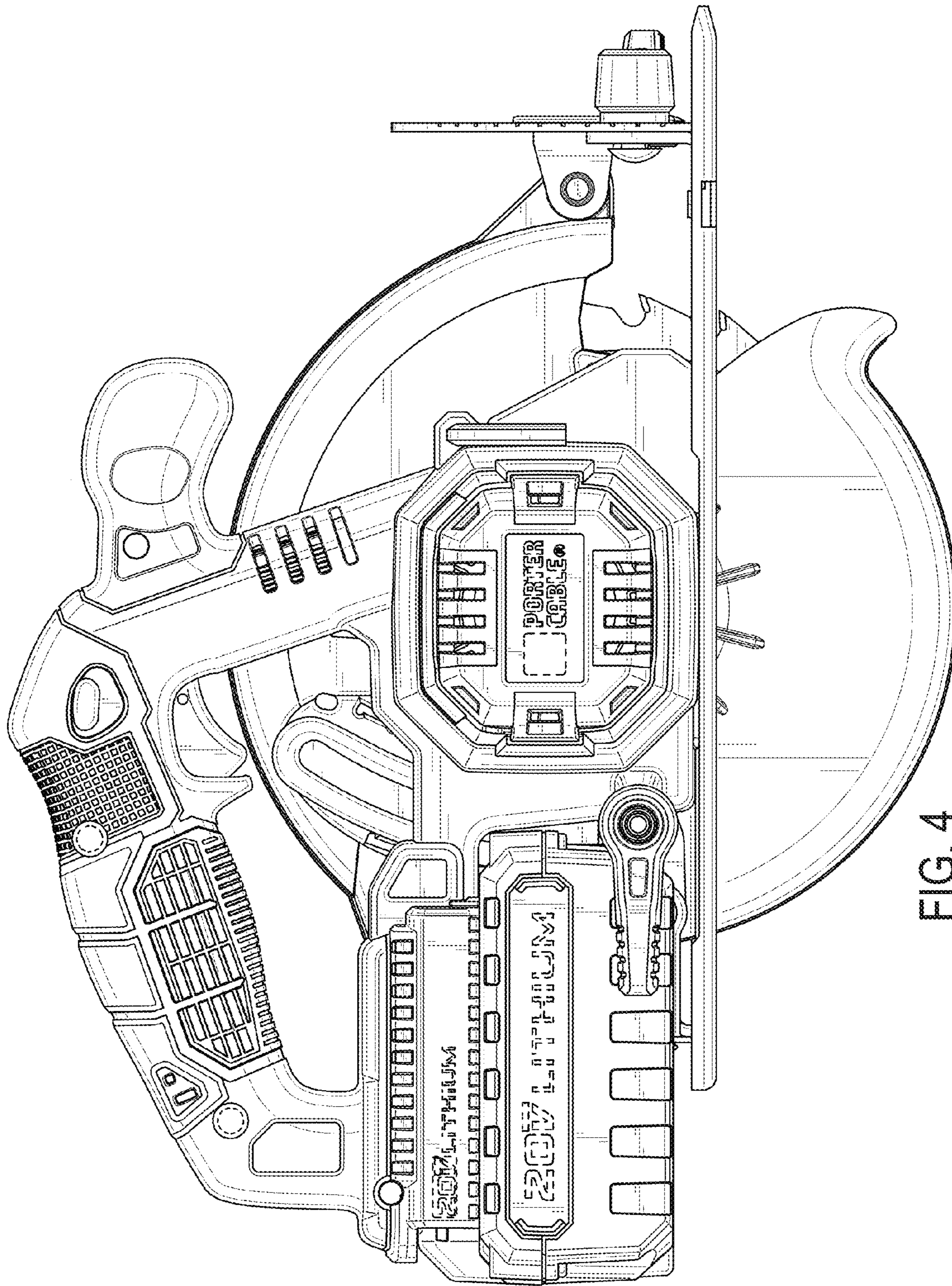
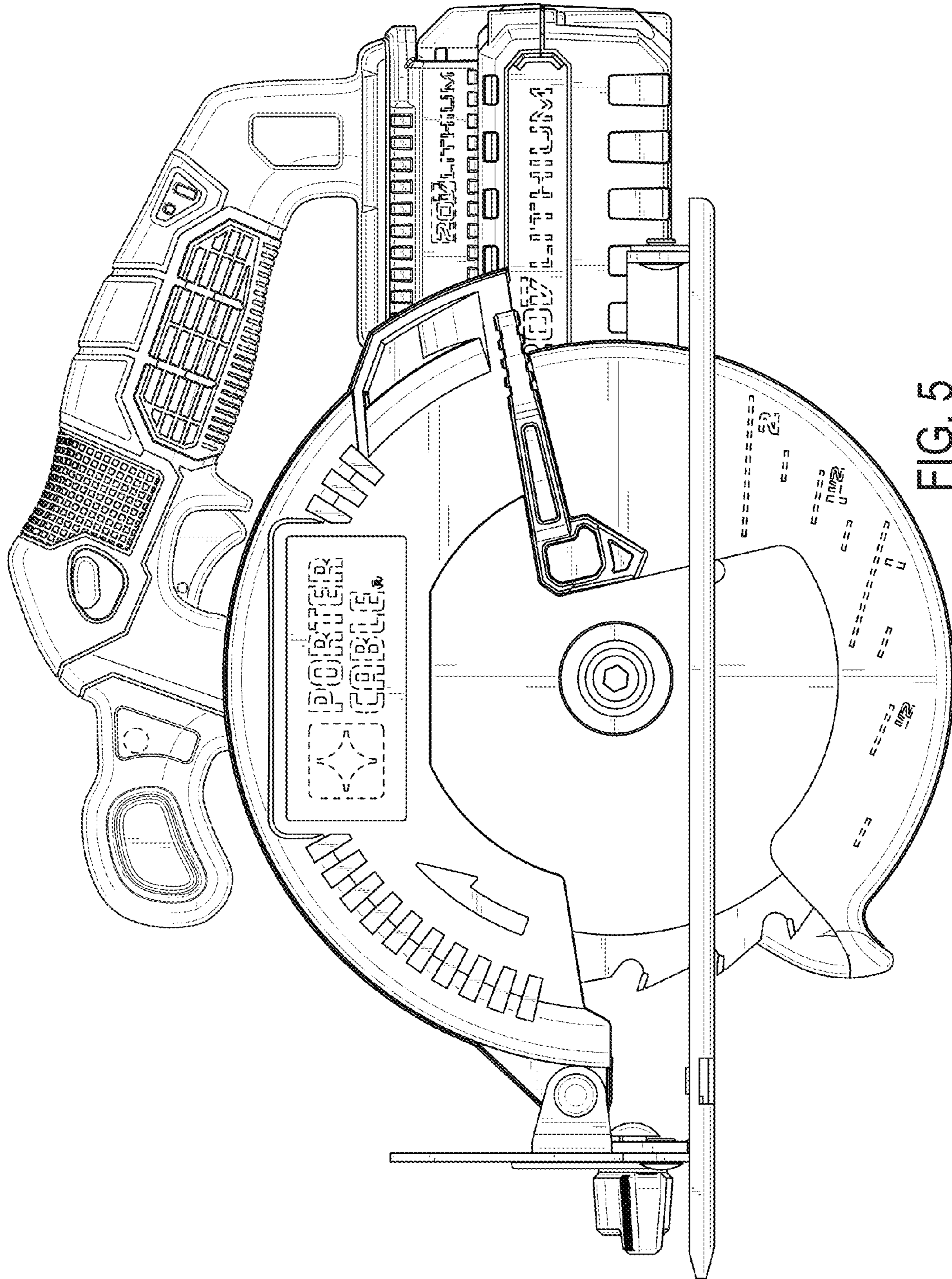


FIG. 4





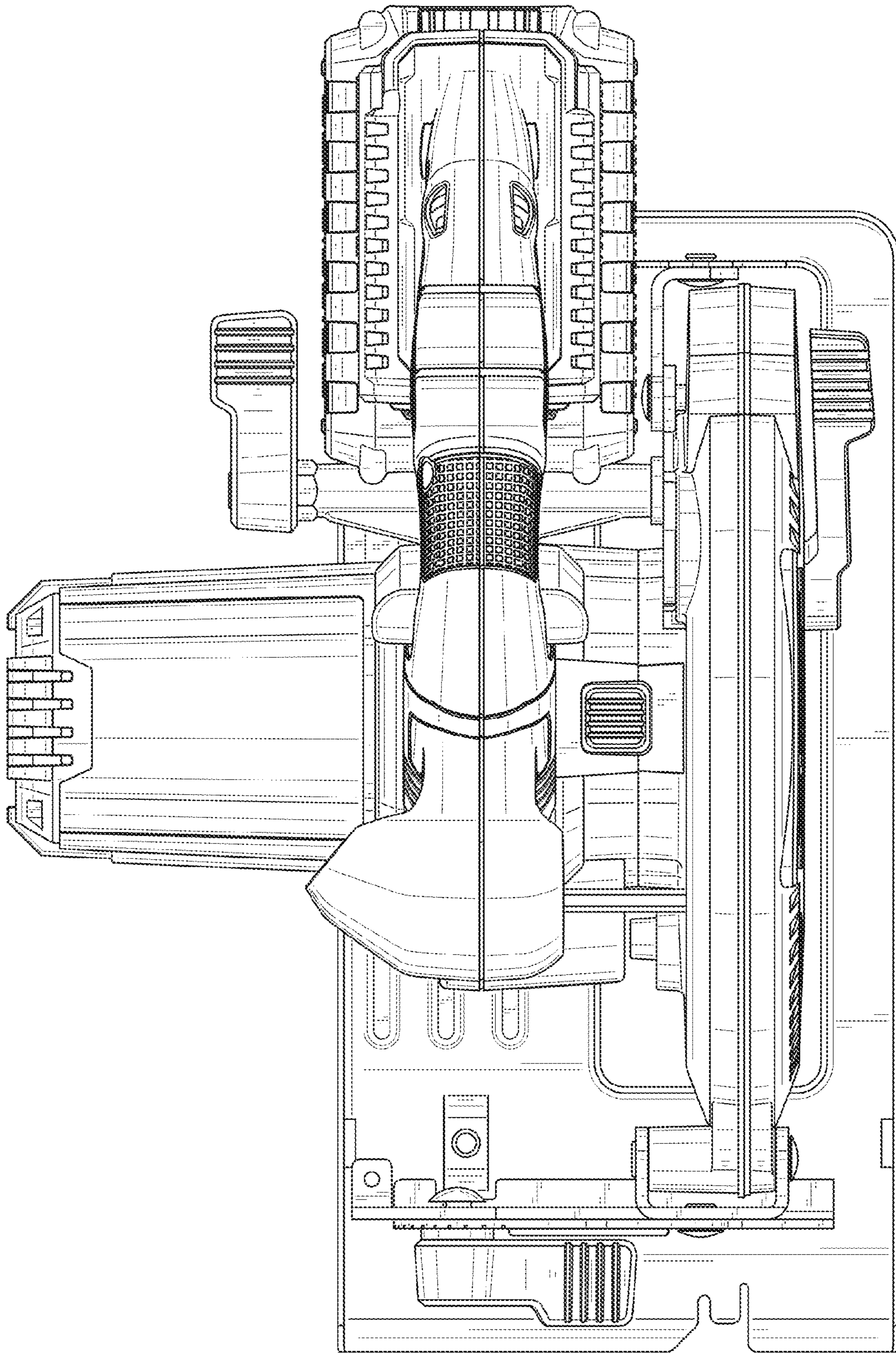


FIG. 6

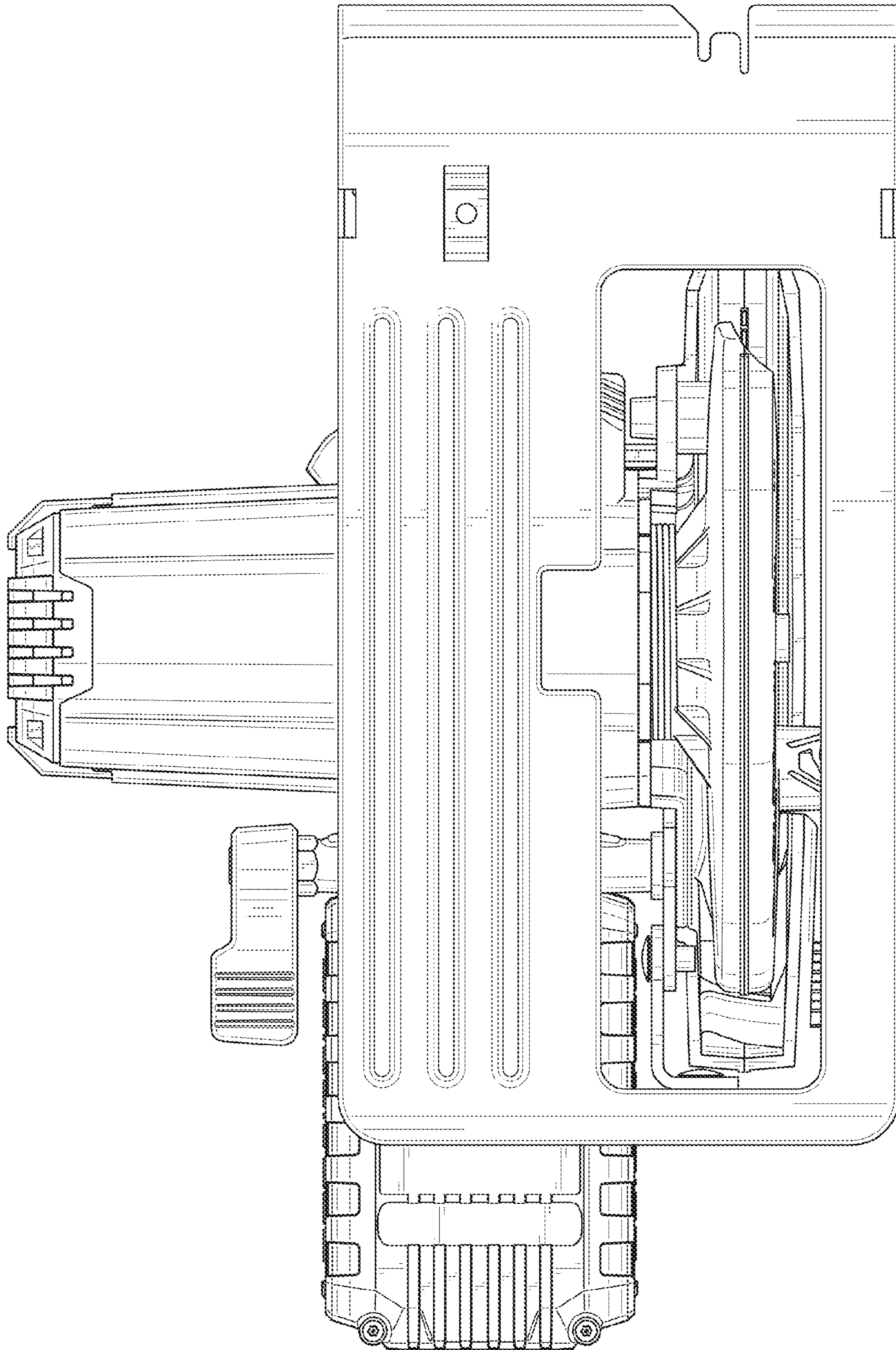


FIG. 7