



US00D710171S

(12) **United States Design Patent**
Aglassinger

(10) **Patent No.:** **US D710,171 S**

(45) **Date of Patent:** **** Aug. 5, 2014**

(54) **ANGLE GRINDER**

(71) Applicant: **Robert Bosch GmbH**, Stuttgart (DE)

(72) Inventor: **Hans-Peter Aglassinger**, Esslingen (DE)

(73) Assignee: **Robert Bosch GmbH**, Stuttgart (DE)

(**) Term: **14 Years**

(21) Appl. No.: **29/453,557**

(22) Filed: **Apr. 30, 2013**

(30) **Foreign Application Priority Data**

Oct. 30, 2012 (EM) 002127274

(51) **LOC (10) Cl.** **08-03**

(52) **U.S. Cl.**
USPC **D8/62**

(58) **Field of Classification Search**
USPC D8/69, 68, 67, 66, 64, 61, 70;
83/698.41, 747, 166.3, 374, 373, 375,
83/376, 391, 377, 390, 388, 389;
125/13.01; 144/218; D21/532
See application file for complete search history.

(56) **References Cited**

U.S. PATENT DOCUMENTS

D453,288 S * 2/2002 Lui D8/62
D475,263 S * 6/2003 Andriolo D8/62
D498,653 S * 11/2004 Wu D8/62
D521,833 S * 5/2006 Okuda et al. D8/62

D522,827 S * 6/2006 Corcoran D8/62
D581,759 S * 12/2008 Aglassinger D8/62
D593,826 S * 6/2009 Aglassinger D8/62
D606,828 S * 12/2009 Misaki D8/62
D609,542 S * 2/2010 Misaki et al. D8/62
D660,118 S * 5/2012 Bast D8/62
D685,240 S * 7/2013 Waldron D8/62

* cited by examiner

Primary Examiner — Austin Murphy

(74) *Attorney, Agent, or Firm* — Maginot, Moore & Beck

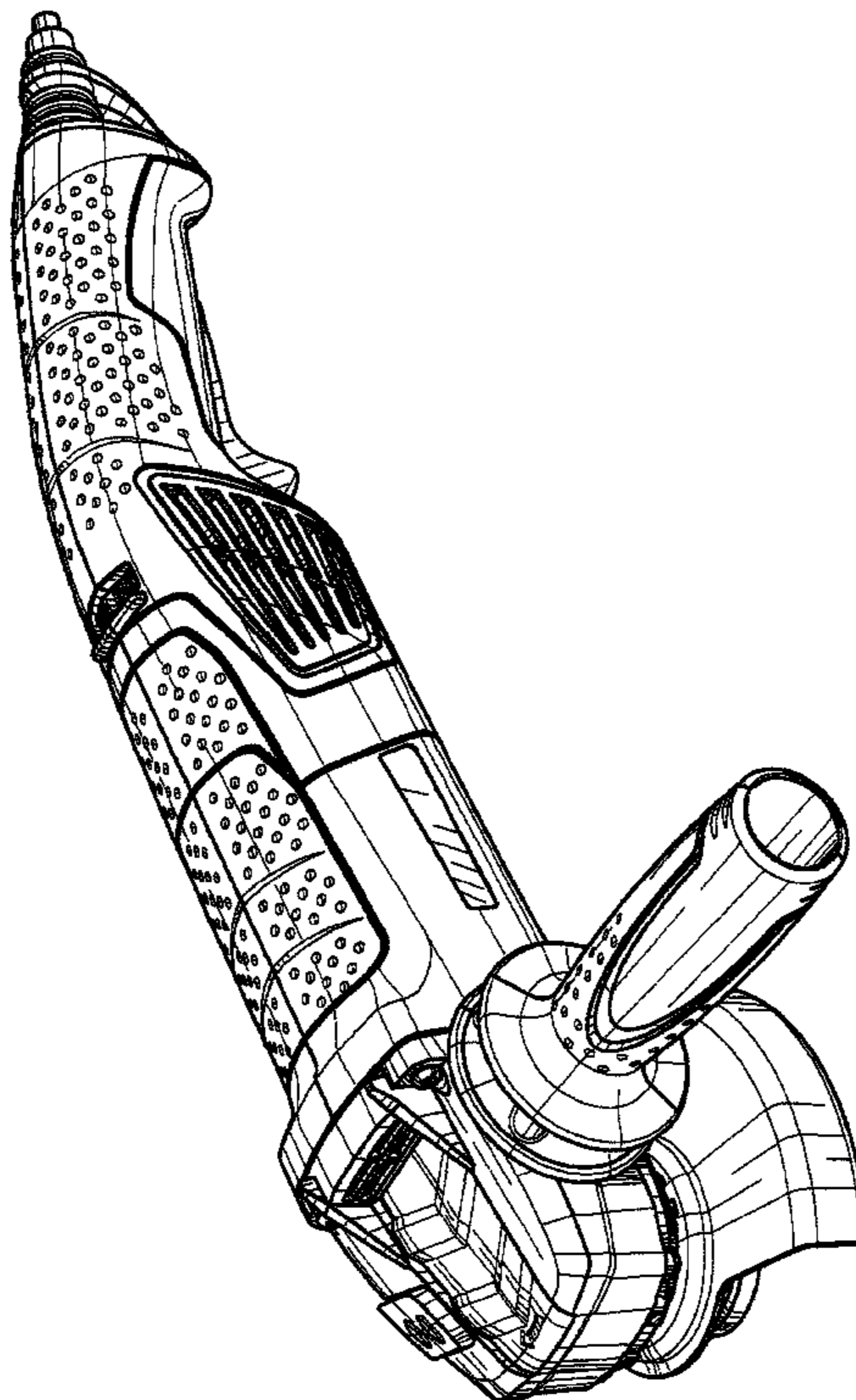
(57) **CLAIM**

The ornamental design for an angle grinder, as shown and described.

DESCRIPTION

FIG. 1 is a perspective view of an angle grinder showing my new design;
FIG. 2 is a right side elevational view showing the design for the angle grinder of FIG. 1;
FIG. 3 is a left side elevational view showing the design for the angle grinder of FIG. 1;
FIG. 4 is a rear elevational view showing the design for the angle grinder of FIG. 1;
FIG. 5 is a front elevational view showing the design for the angle grinder of FIG. 1;
FIG. 6 is a top elevational view showing the design for the angle grinder of FIG. 1; and,
FIG. 7 is a bottom elevational view showing the design for the angle grinder of FIG. 1.

1 Claim, 7 Drawing Sheets



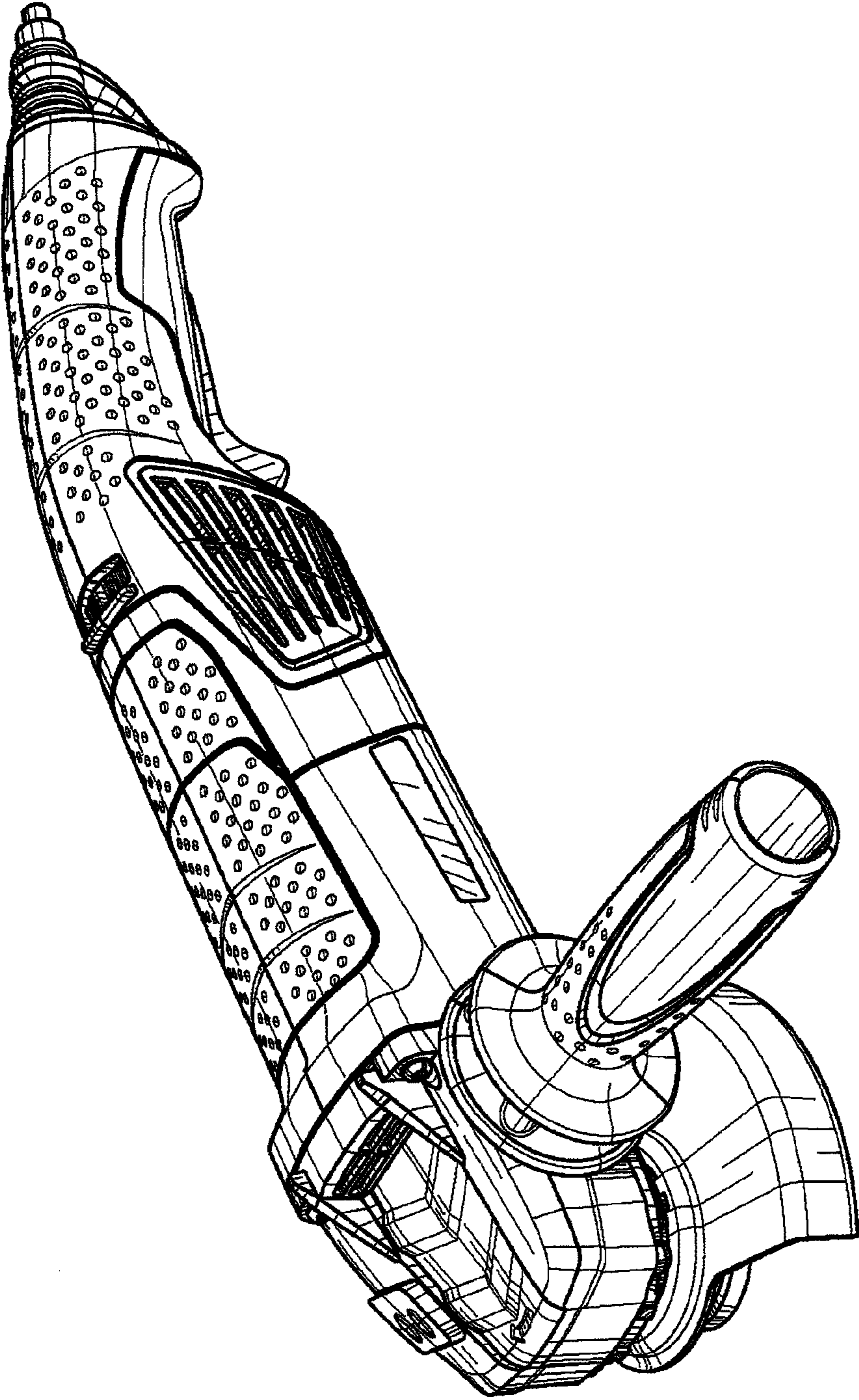


FIG. 1

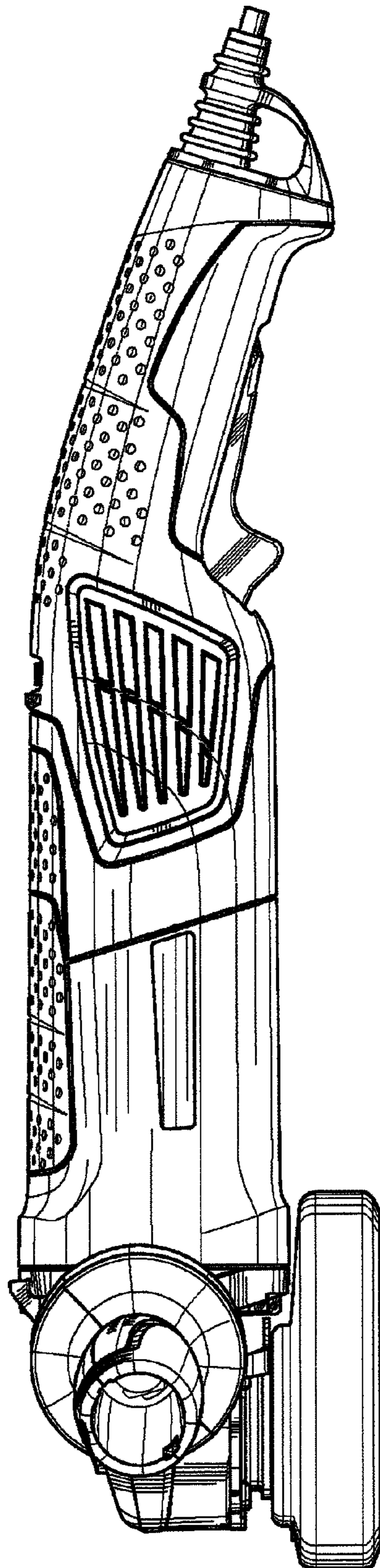


FIG. 2

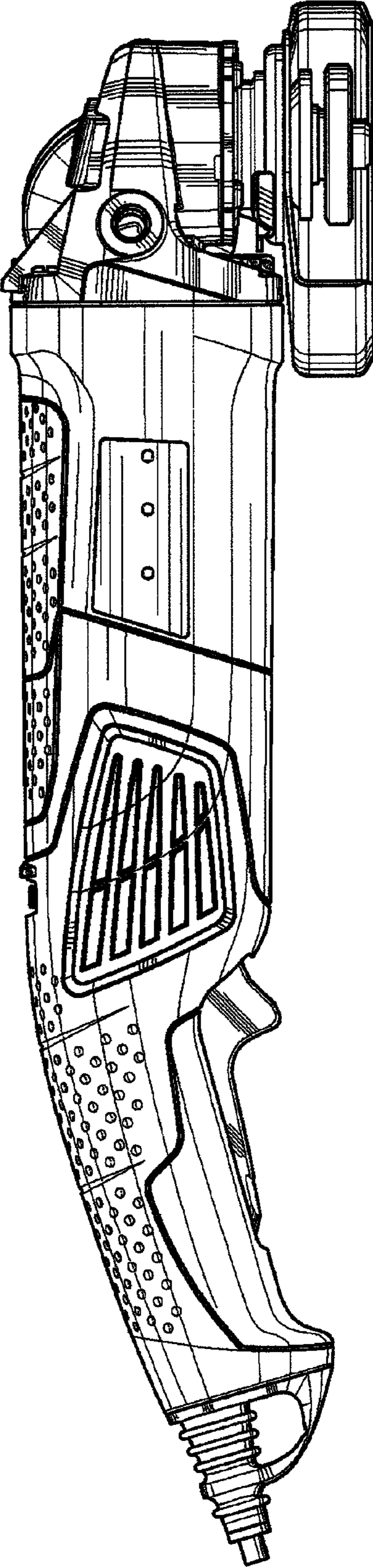


FIG. 3

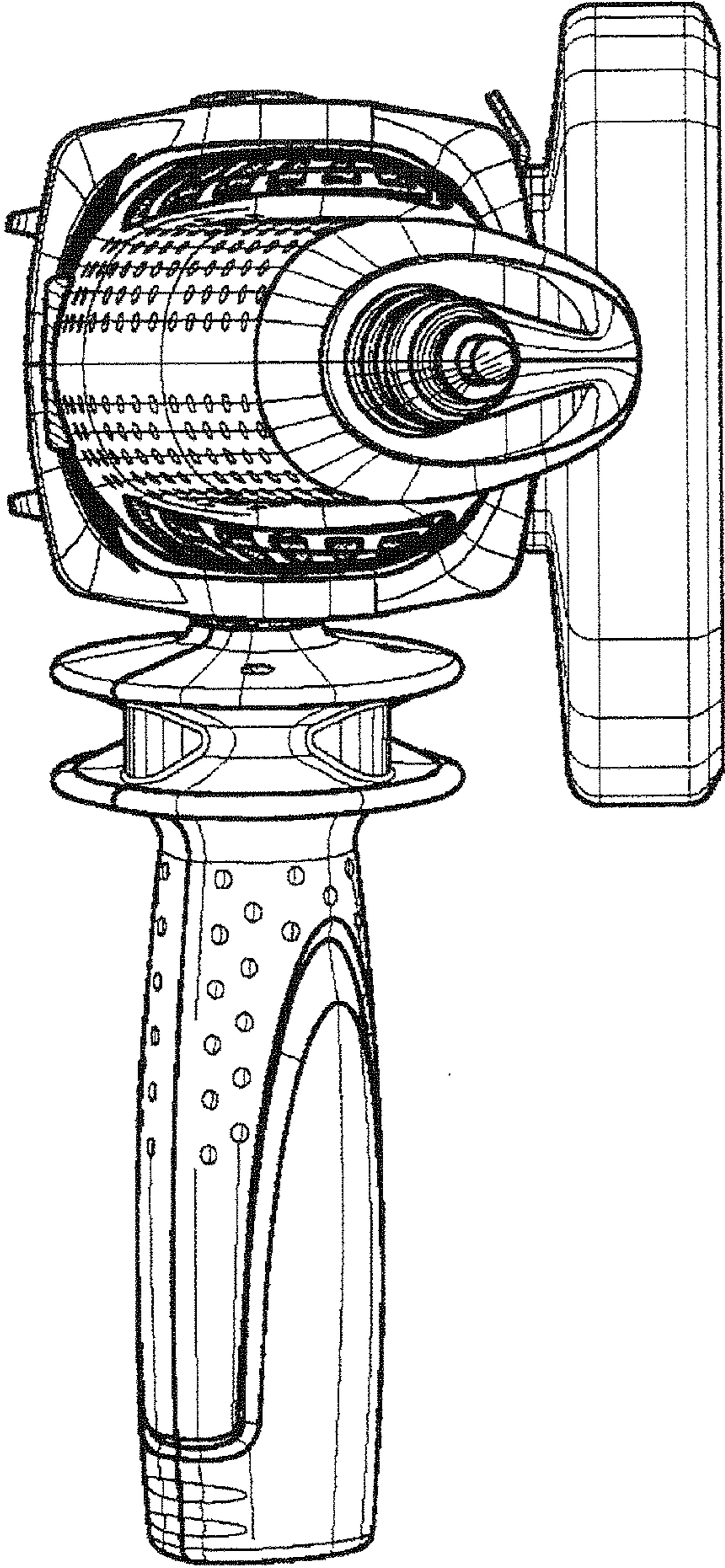


FIG. 4

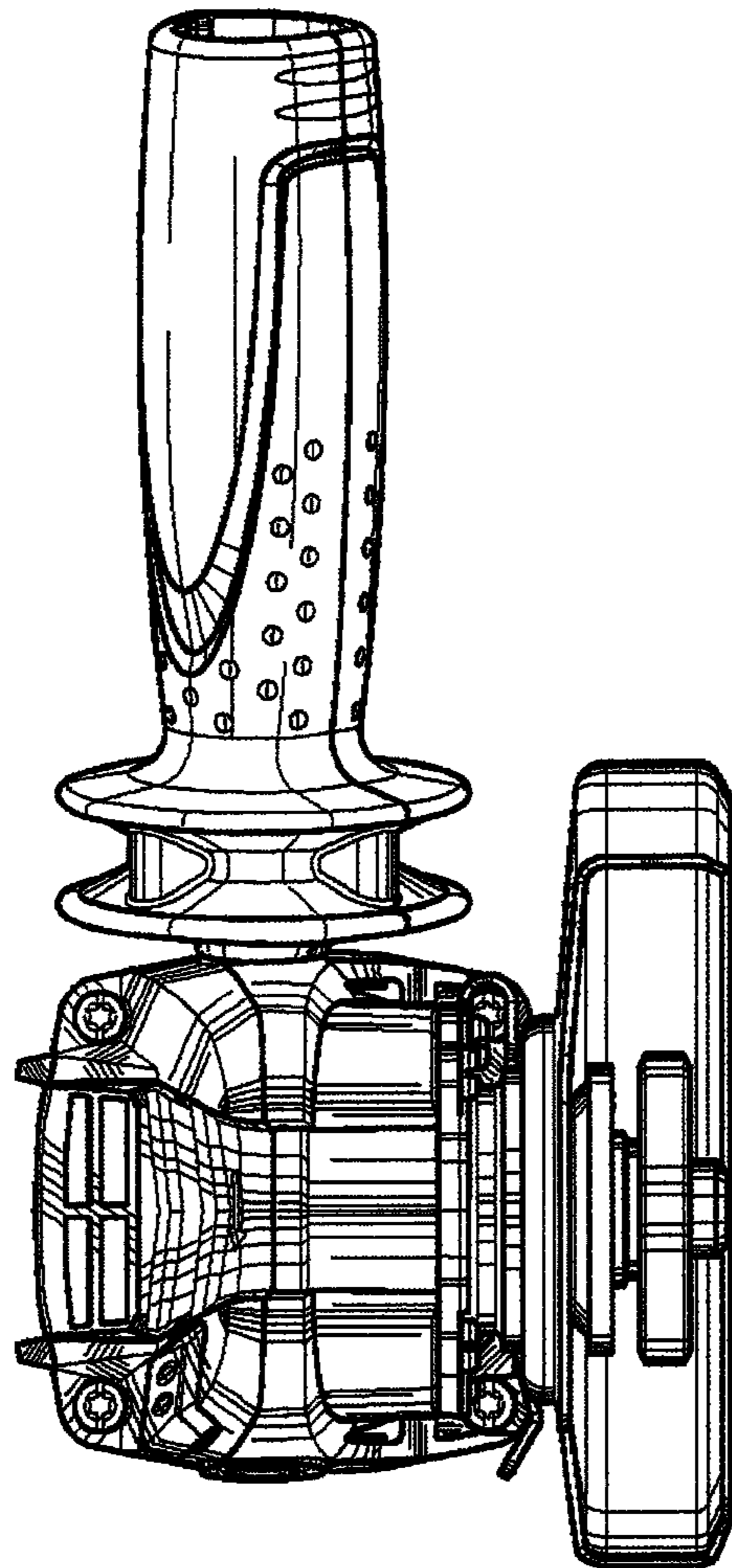


FIG. 5

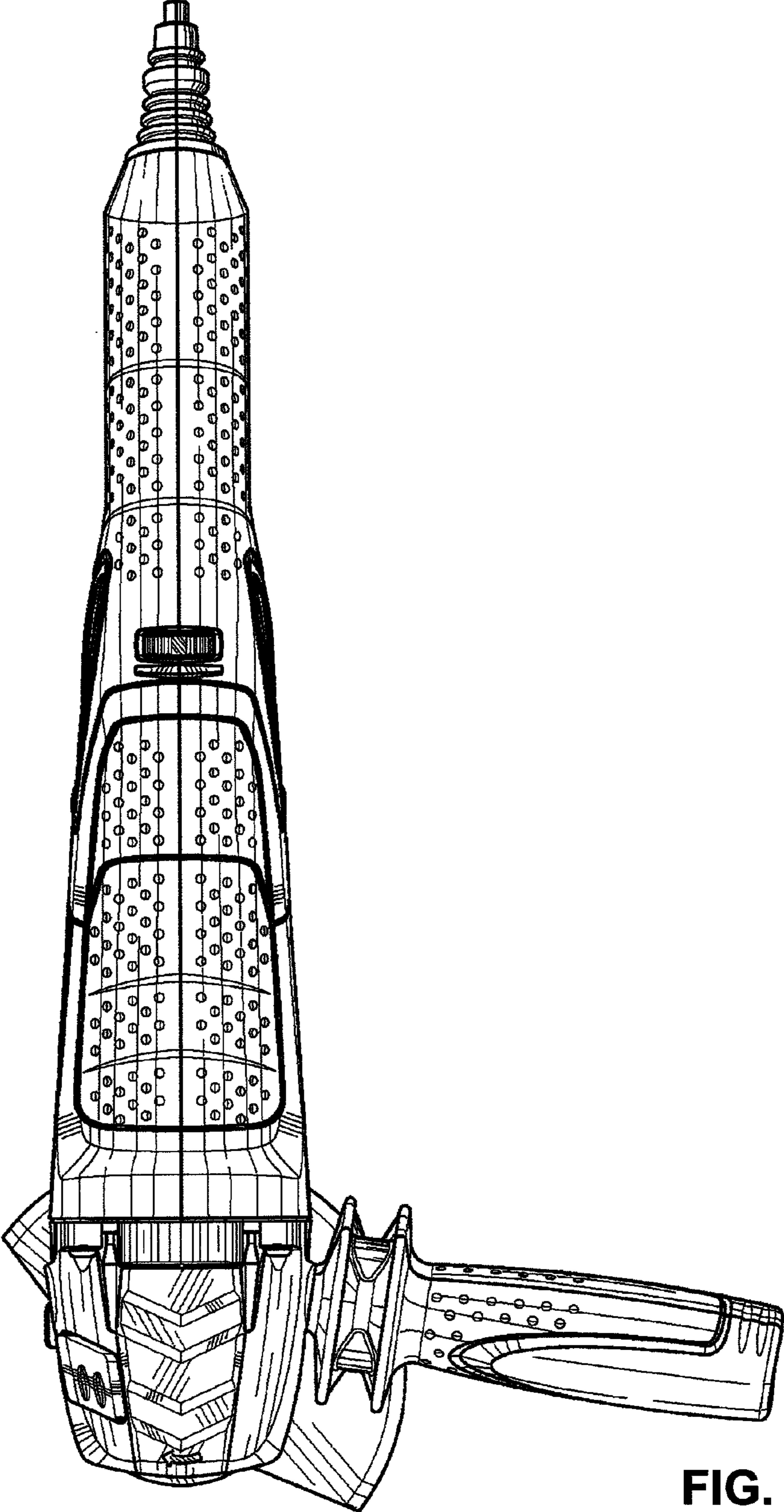


FIG. 6

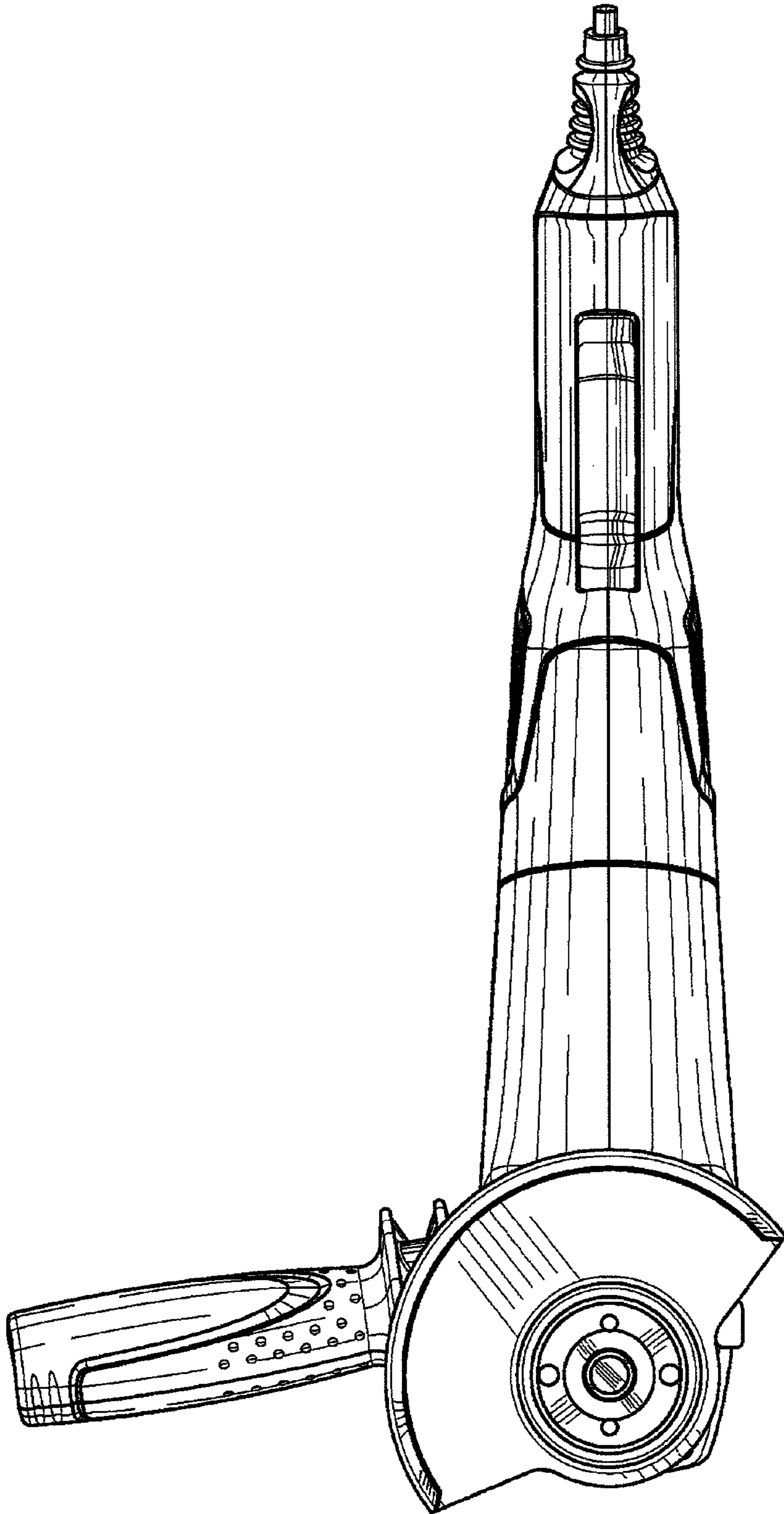


FIG. 7