



US00D710170S

(12) **United States Design Patent**
Aglassinger

(10) **Patent No.:** **US D710,170 S**

(45) **Date of Patent:** **** Aug. 5, 2014**

(54) **ANGLE GRINDER**

(71) Applicant: **Robert Bosch GmbH**, Stuttgart (DE)

(72) Inventor: **Hans-Peter Aglassinger**, Esslingen (DE)

(73) Assignee: **Robert Bosch GmbH**, Stuttgart (DE)

(**) Term: **14 Years**

(21) Appl. No.: **29/453,554**

(22) Filed: **Apr. 30, 2013**

(30) **Foreign Application Priority Data**

Oct. 30, 2012 (EM) 002127274

(51) **LOC (10) Cl.** **08-03**

(52) **U.S. Cl.**
USPC **D8/62**

(58) **Field of Classification Search**
USPC D8/69, 68, 67, 66, 64, 61, 70;
83/698.41, 747, 166.3, 374, 373, 375,
83/376, 391, 377, 390, 388, 389;
125/13.01; 144/218; D21/532
See application file for complete search history.

(56) **References Cited**

U.S. PATENT DOCUMENTS

D351,772 S *	10/1994	Price	D8/62
D408,244 S *	4/1999	Price	D8/62
D453,098 S *	1/2002	Pretzell	D8/62
D479,969 S *	9/2003	Robson et al.	D8/62
D491,033 S *	6/2004	Bian	D8/62

D511,285 S *	11/2005	Henssler et al.	D8/62
D522,826 S *	6/2006	Aglassinger	D8/62
D528,389 S *	9/2006	Wu	D8/62
D544,326 S *	6/2007	Sterpka et al.	D8/62
D593,826 S *	6/2009	Aglassinger	D8/62
D637,055 S *	5/2011	Schomisch	D8/62
D637,057 S *	5/2011	Schomisch	D8/62
D685,241 S *	7/2013	Waldron	D8/62

* cited by examiner

Primary Examiner — Austin Murphy

(74) *Attorney, Agent, or Firm* — Maginot, Moore & Beck

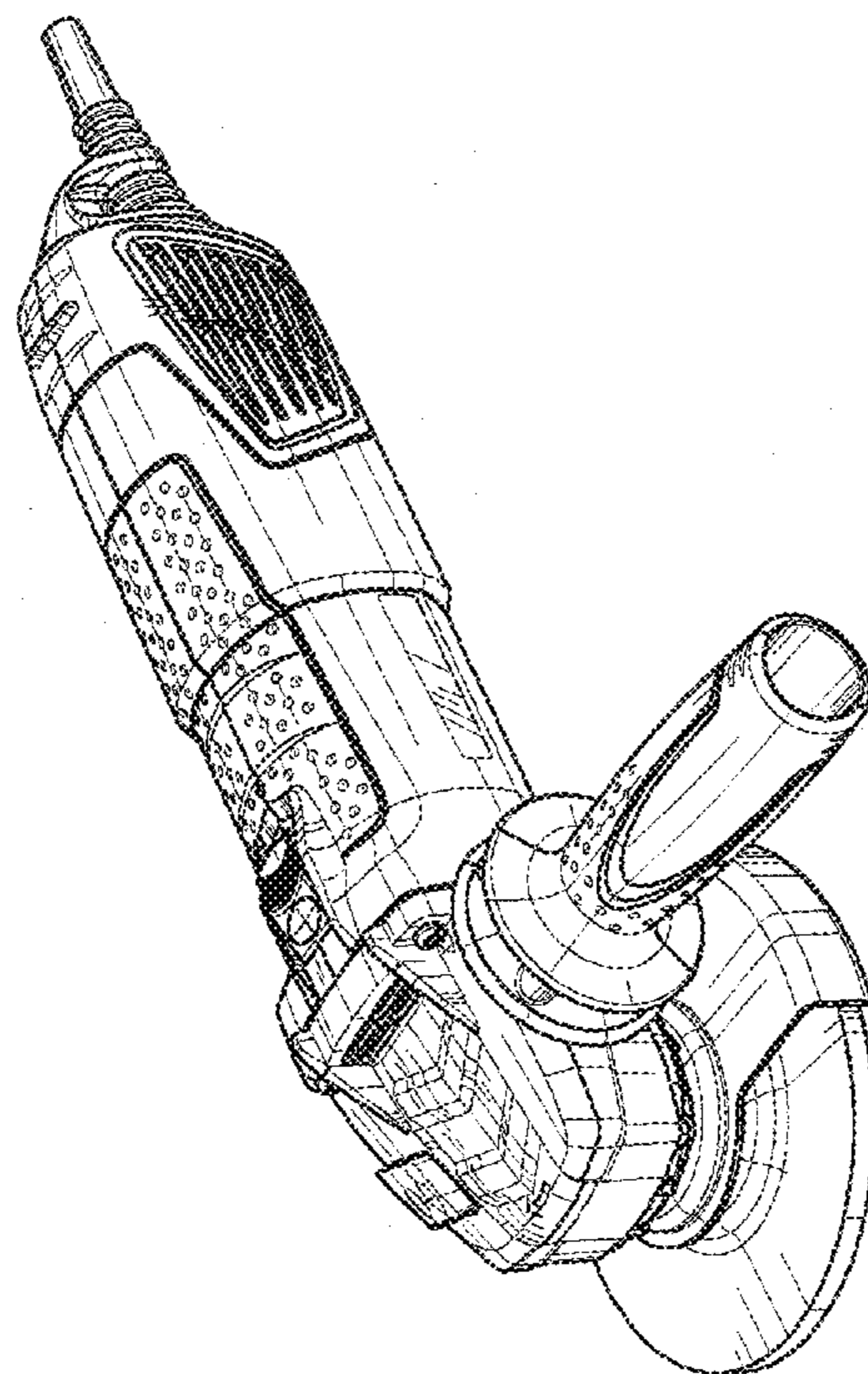
(57) **CLAIM**

The ornamental design for an angle grinder, as shown and described.

DESCRIPTION

FIG. 1 is a perspective view of an angle grinder showing my new design;
FIG. 2 is a right side elevational view showing the design for the angle grinder of FIG. 1;
FIG. 3 is a left side elevational view showing the design for the angle grinder of FIG. 1;
FIG. 4 is a rear elevational view showing the design for the angle grinder of FIG. 1;
FIG. 5 is a front elevational view showing the design for the angle grinder of FIG. 1;
FIG. 6 is a top elevational view showing the design for the angle grinder of FIG. 1; and,
FIG. 7 is a bottom elevational view showing the design for the angle grinder of FIG. 1.

1 Claim, 7 Drawing Sheets



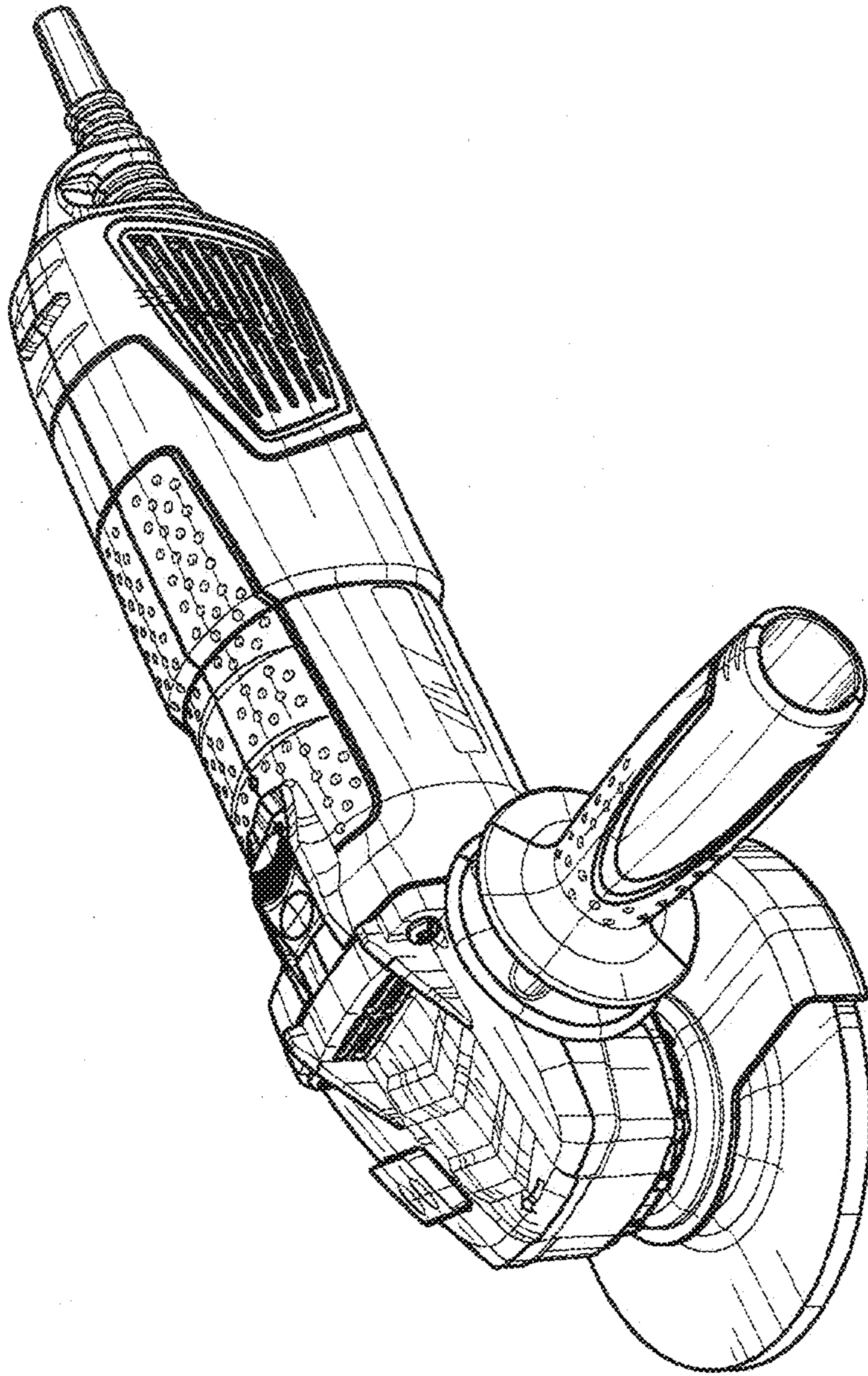


FIG. 1

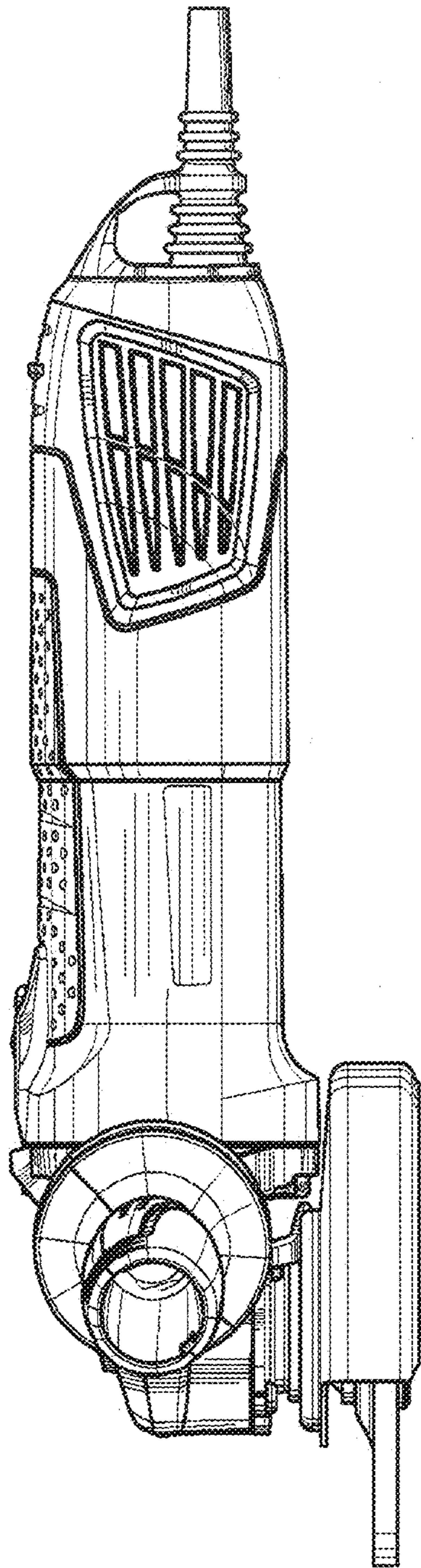


FIG. 2

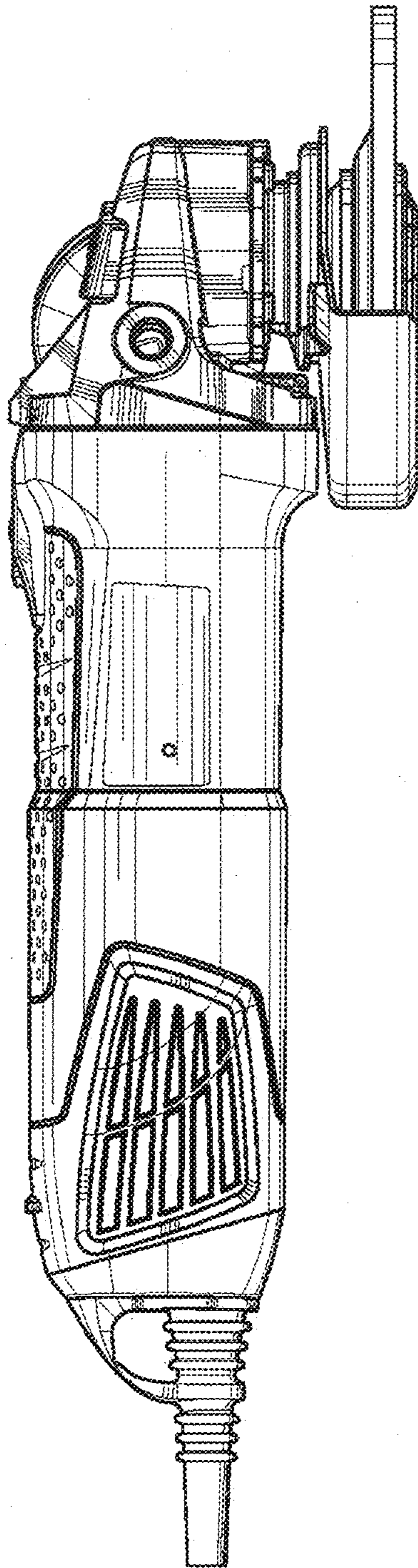


FIG. 3

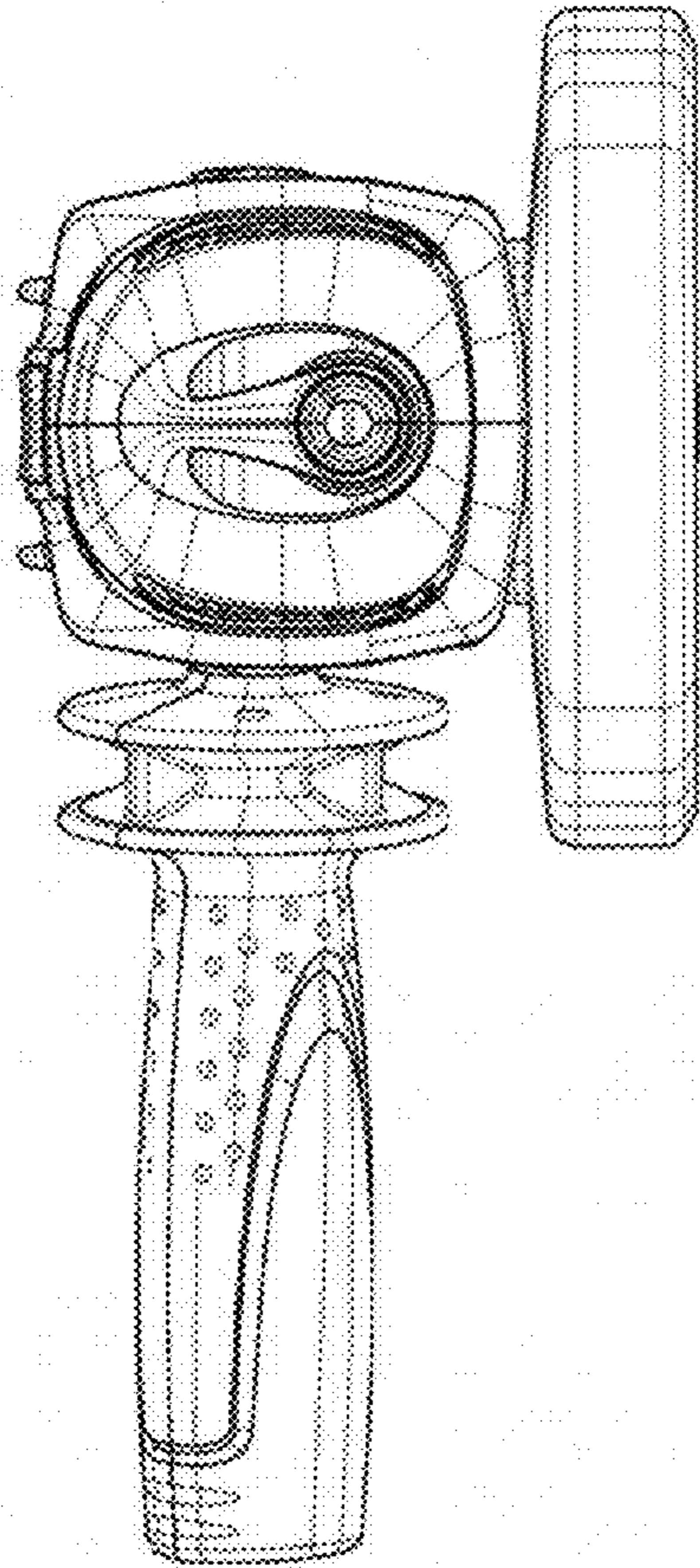


FIG. 4

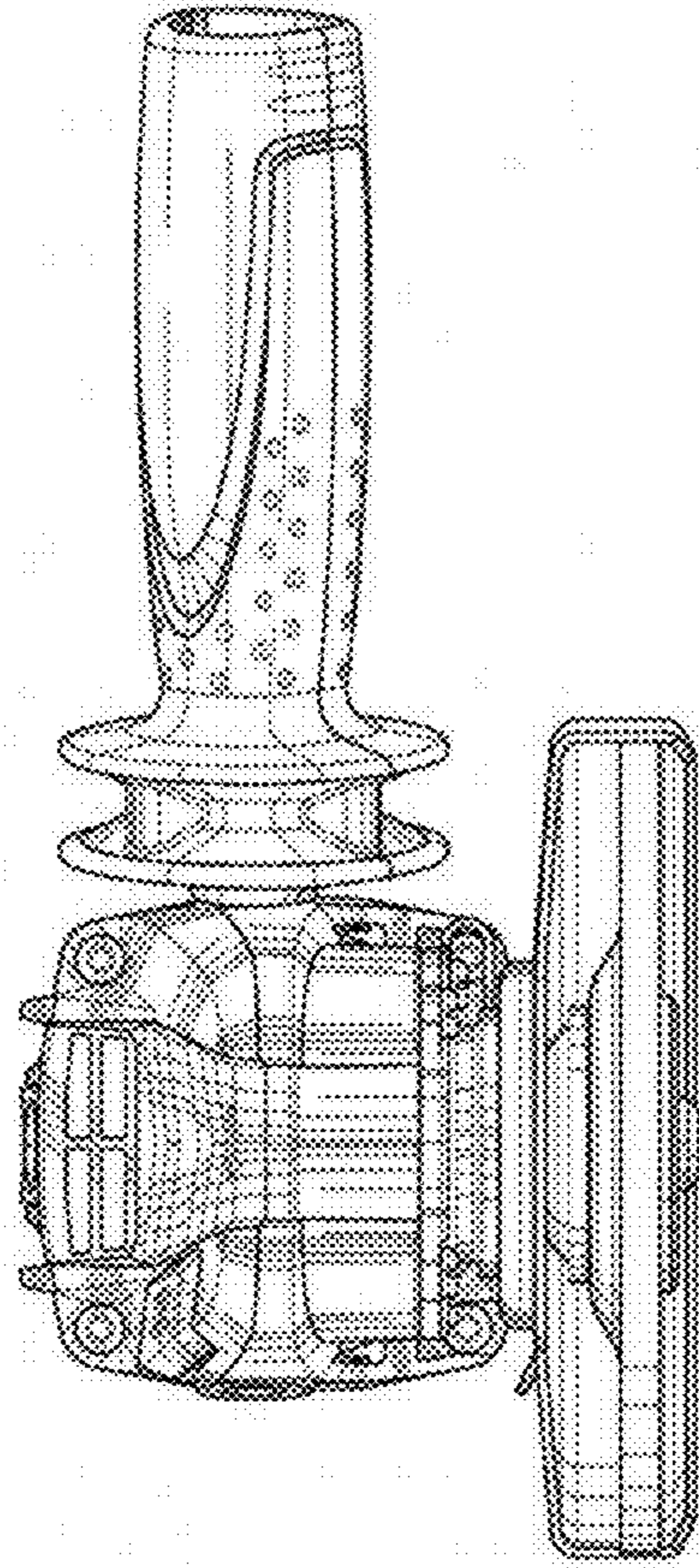


FIG. 5

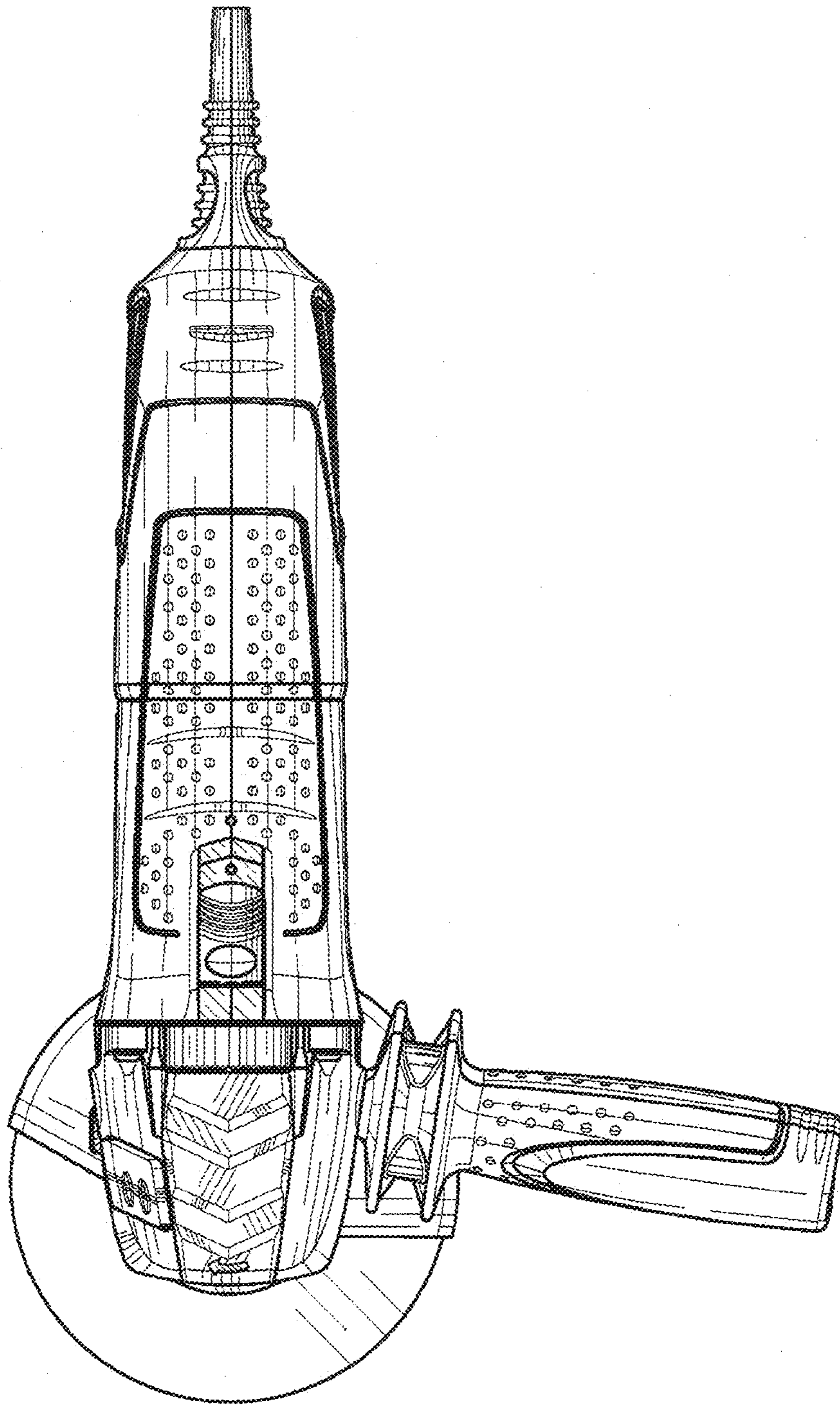


FIG. 6

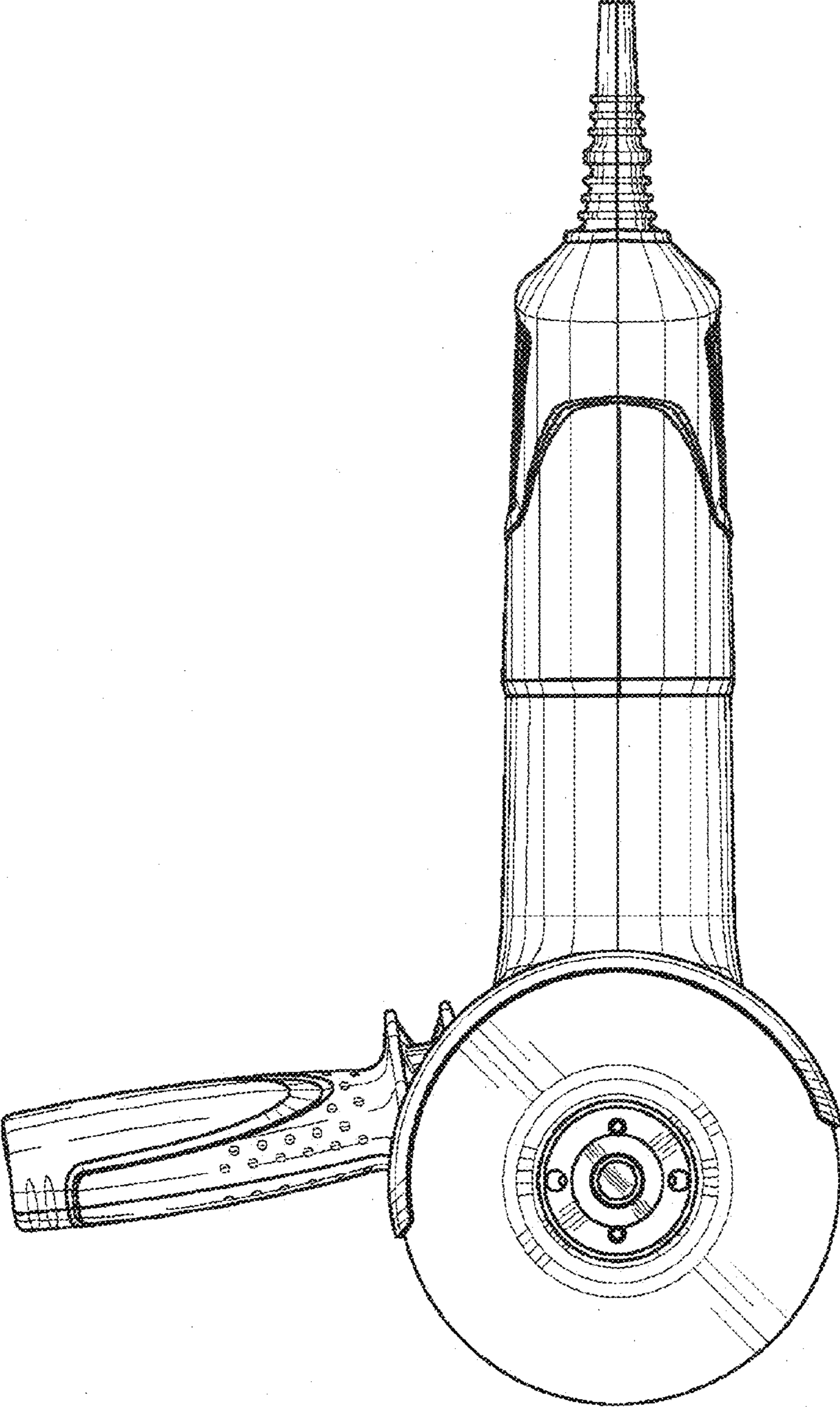


FIG. 7