



US00D710169S

(12) **United States Design Patent**  
**Guo et al.**

(10) **Patent No.:** **US D710,169 S**

(45) **Date of Patent:** **\*\* Aug. 5, 2014**

(54) **ELECTRIC GREASE GUN**

(71) Applicants: **Kong Ling Guo**, Suzhou (CN); **Viktor Alekseyev**, St. Louis, MO (US); **Keith Rohan**, Fenton, NC (US)

(72) Inventors: **Kong Ling Guo**, Suzhou (CN); **Viktor Alekseyev**, St. Louis, MO (US); **Keith Rohan**, Fenton, NC (US)

(73) Assignee: **Lincoln Industrial Corporation**, St. Louis, MO (US)

(\*\*) Term: **14 Years**

(21) Appl. No.: **29/471,769**

(22) Filed: **Nov. 5, 2013**

(51) **LOC (10) Cl.** ..... **08-04**

(52) **U.S. Cl.**  
USPC ..... **D8/61; D8/14.1**

(58) **Field of Classification Search**  
USPC ..... D8/61, 62, 67, 69, 14.1; 81/57, 57.11, 81/57.14, 57.26, 429, 464, 469; 173/2, 173/170, 176, 181; 222/63, 571, 389; 184/26, 105.2

See application file for complete search history.

(56) **References Cited**

**U.S. PATENT DOCUMENTS**

5,188,259 A \* 2/1993 Petit ..... 222/63  
D427,864 S \* 7/2000 Kowalchik et al. .... D8/14.1  
7,703,643 B2 \* 4/2010 Wang ..... 222/571

D657,220 S \* 4/2012 Isobe et al. .... D8/61  
D663,181 S \* 7/2012 Zhou et al. .... D8/61  
D690,569 S \* 10/2013 Tinius ..... D8/61  
D694,604 S \* 12/2013 Frenken ..... D8/61  
2003/0164387 A1 \* 9/2003 Grach et al. .... 222/389  
2004/0129735 A1 \* 7/2004 Grach et al. .... 222/389  
2006/0108180 A1 \* 5/2006 Grach et al. .... 184/105.2  
2013/0081903 A1 \* 4/2013 Alekseyev et al. .... 184/26

\* cited by examiner

*Primary Examiner* — Austin Murphy

(74) *Attorney, Agent, or Firm* — Mark Ussai, Esq.; SKF USA Inc. Patent Department

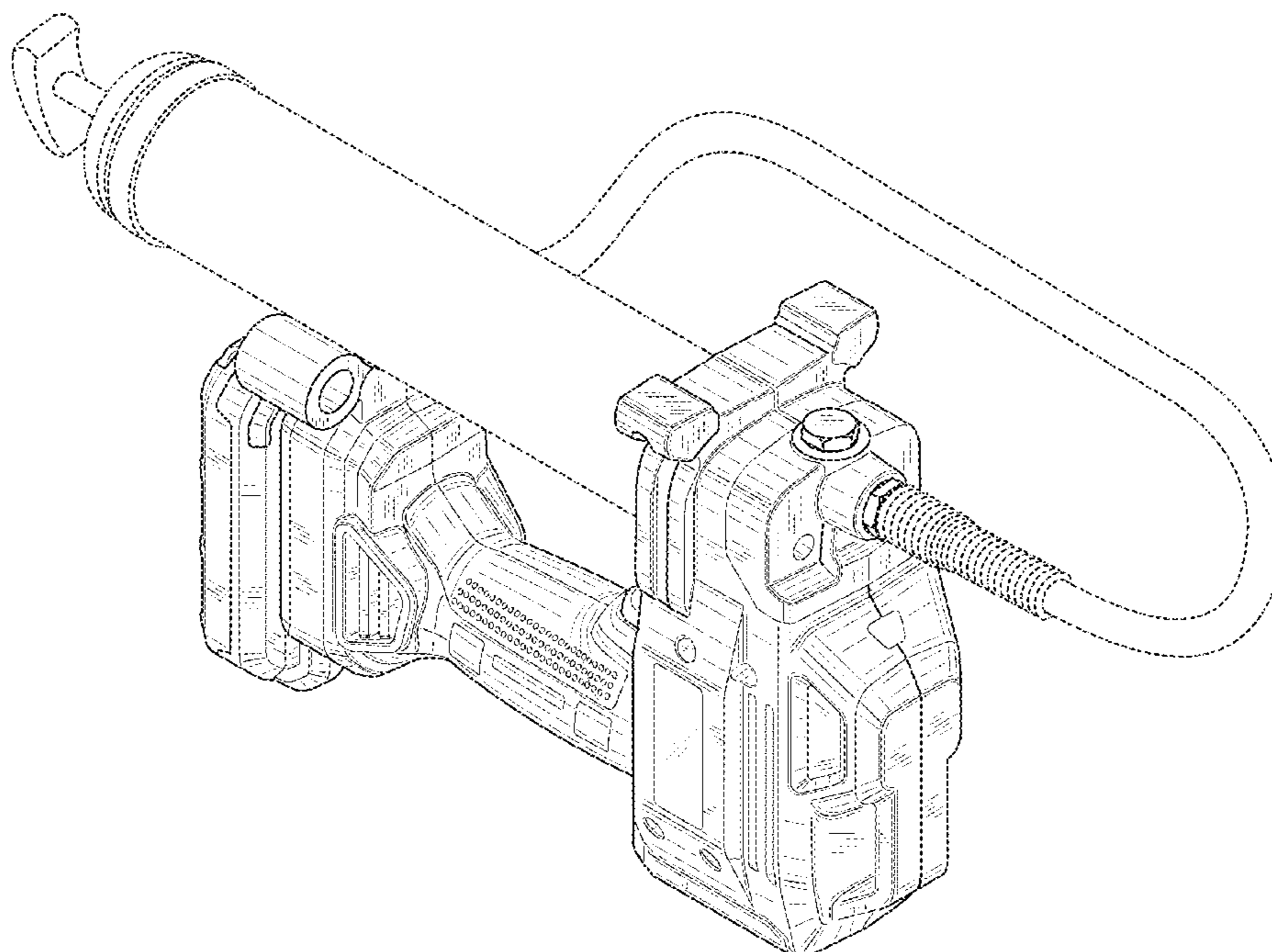
(57) **CLAIM**

We claim the ornamental design for an electric grease gun, as shown and described.

**DESCRIPTION**

FIG. 1 is a perspective view of an electric grease gun showing our new design;  
FIG. 2 is a front elevational view thereof;  
FIG. 3 is a rear elevational view thereof;  
FIG. 4 is a left side elevational view thereof;  
FIG. 5 is a right side elevational view thereof;  
FIG. 6 is a bottom plan view thereof;  
FIG. 7 is a top plan view thereof; and,  
FIG. 8 is another front elevational view of the electric grease gun, shown without the cylinder and hose.  
The cylinder and hose are each shown in broken lines for illustrative purposes only and form no part of the claimed design.

**1 Claim, 7 Drawing Sheets**



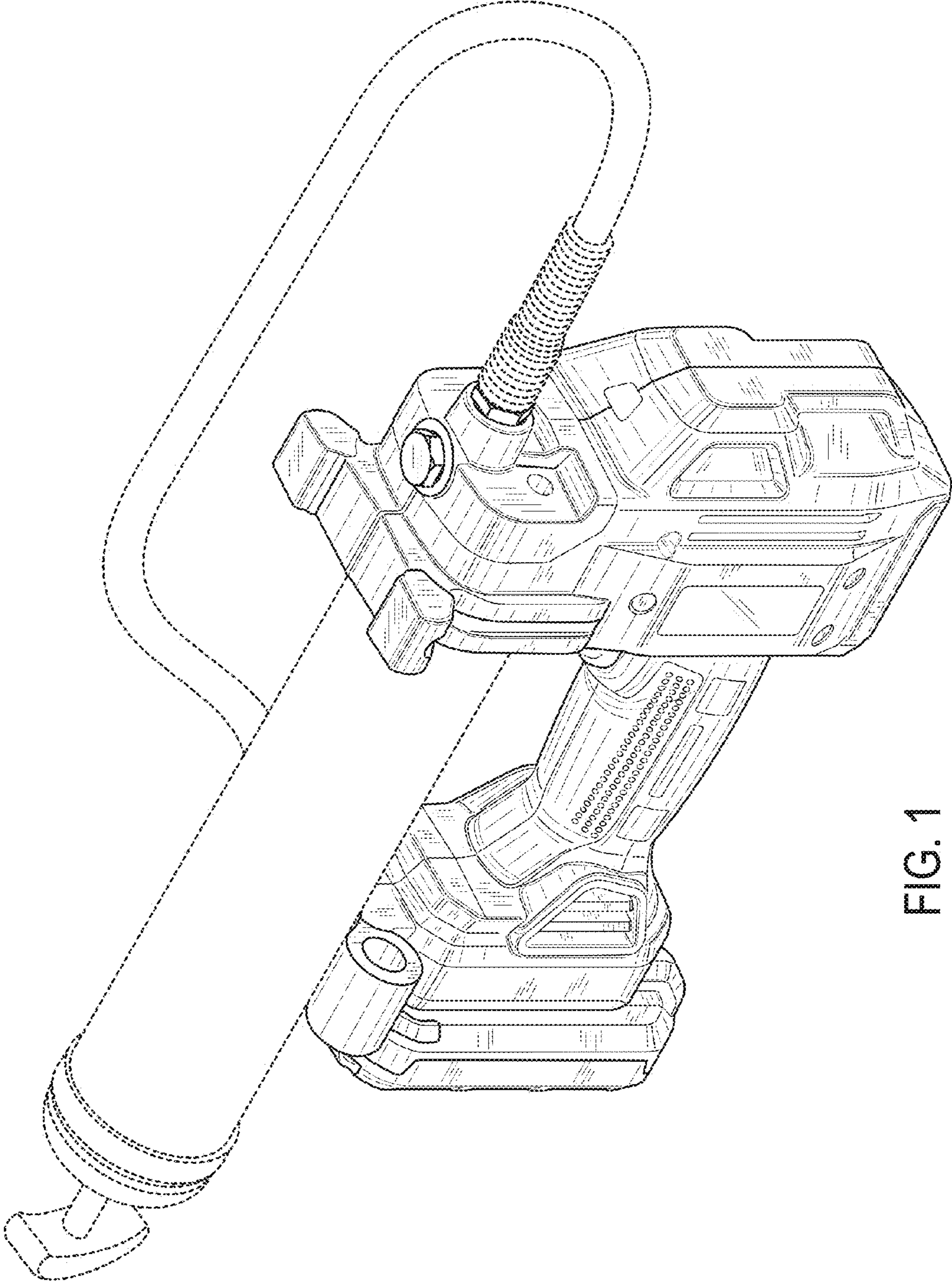


FIG. 1

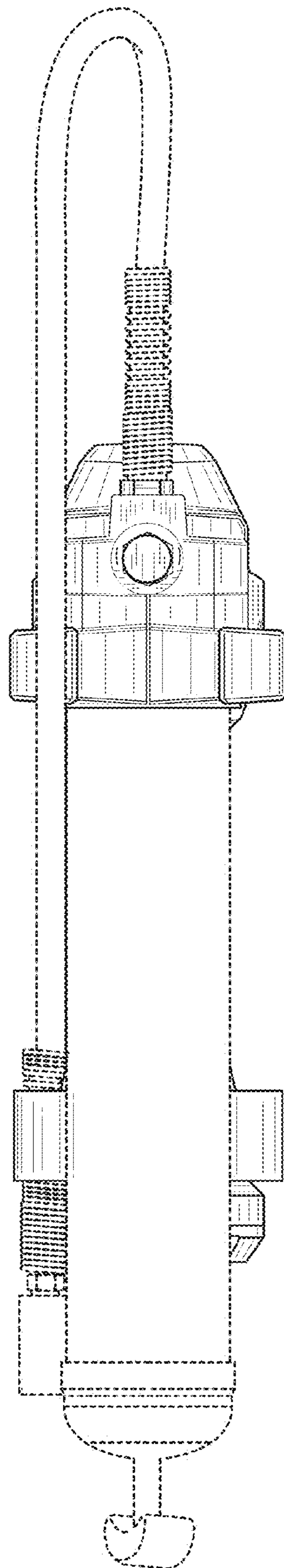


FIG. 2

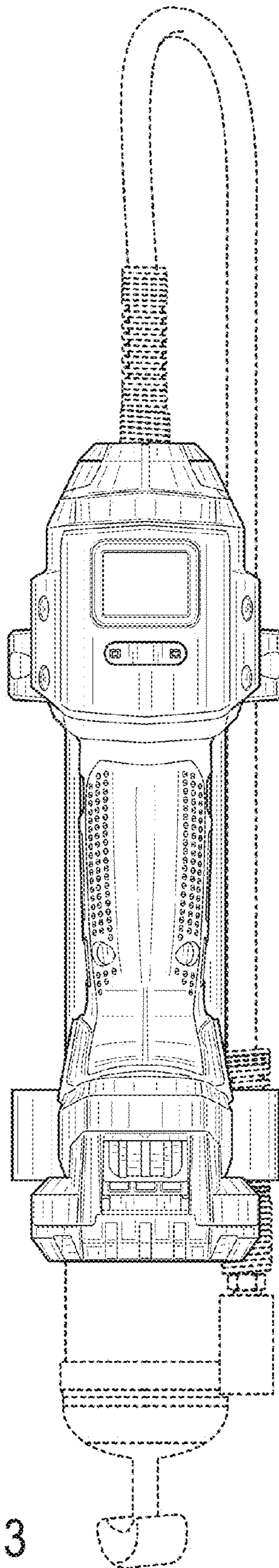


FIG. 3

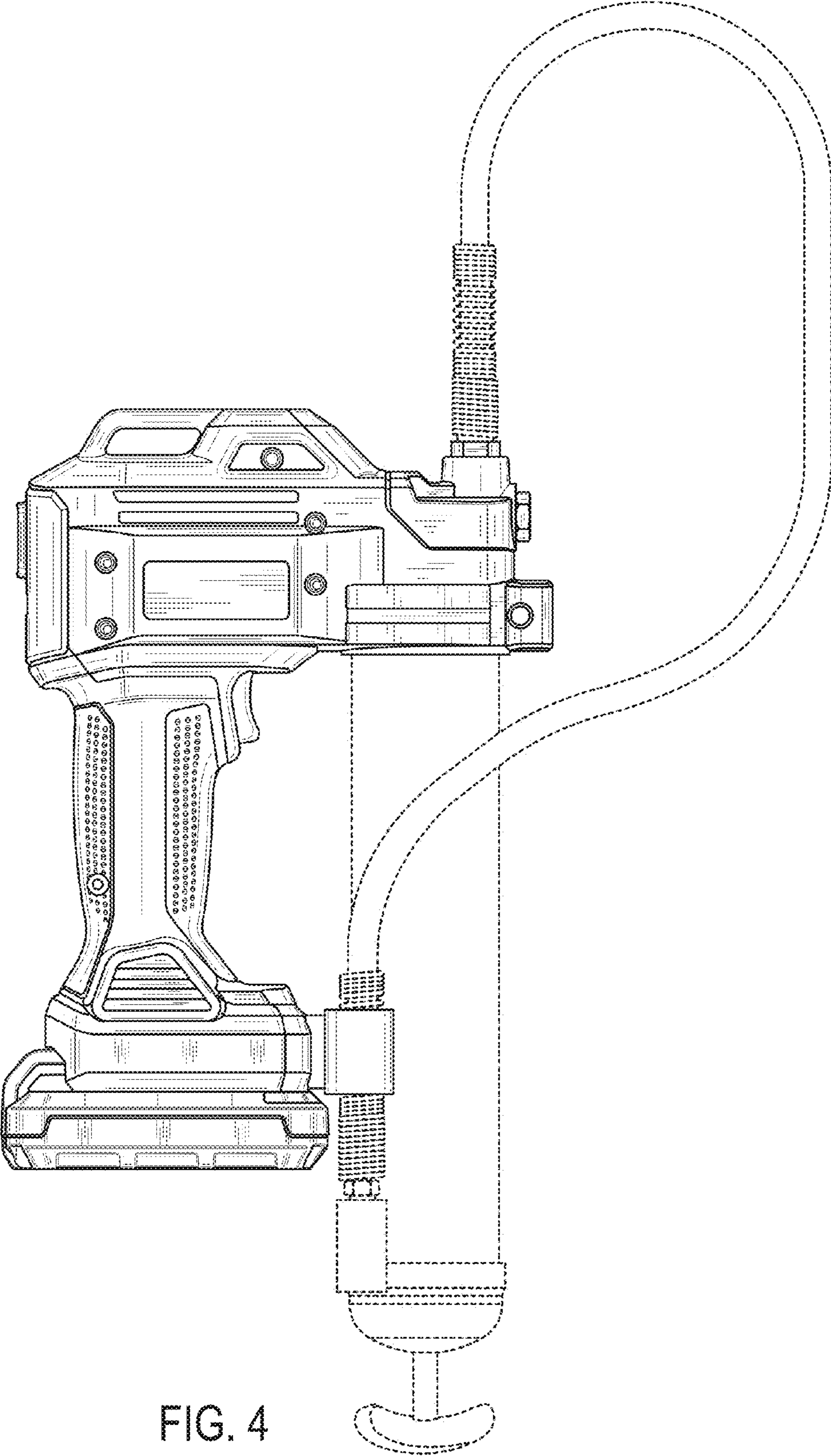


FIG. 4

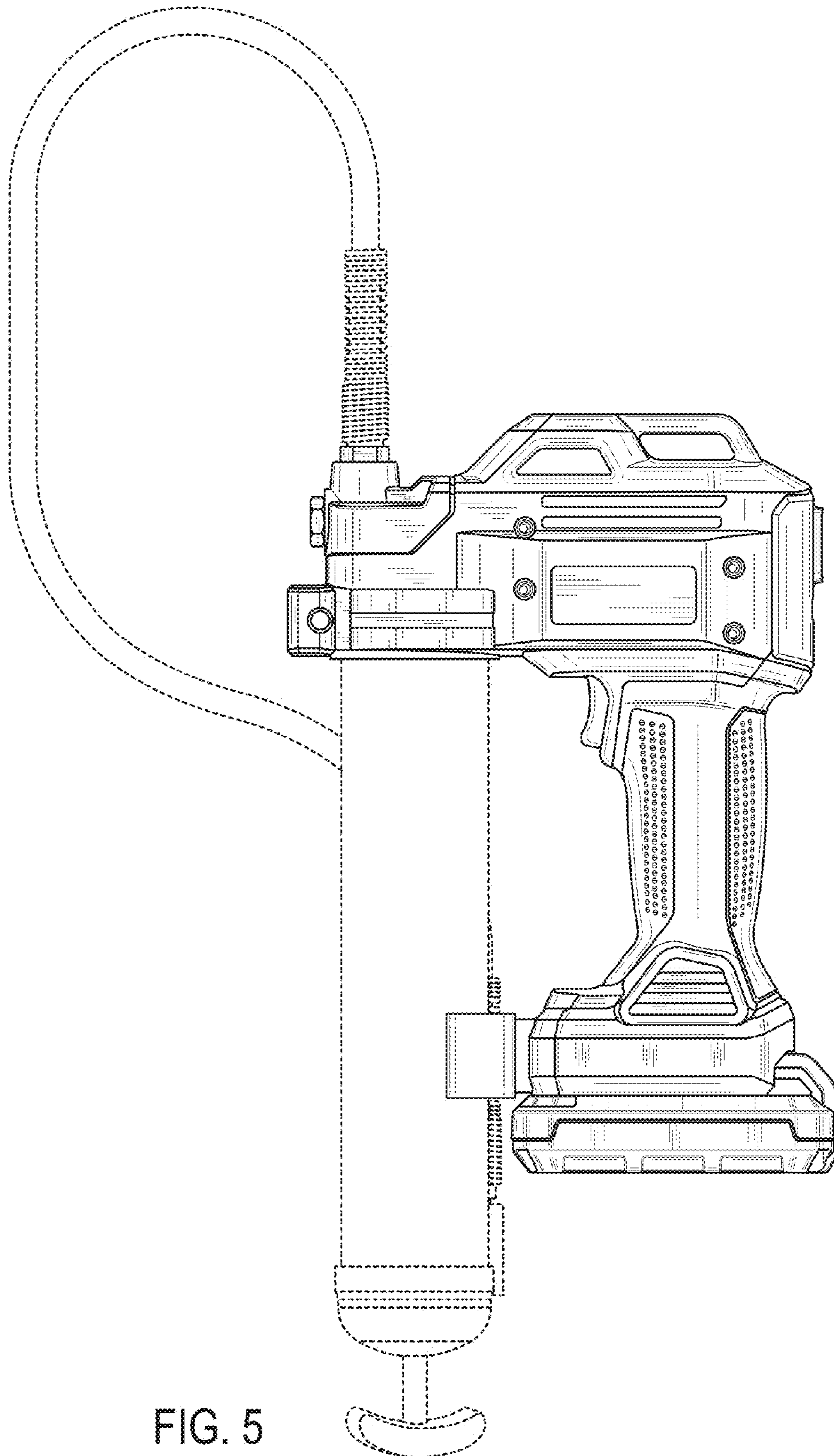


FIG. 5

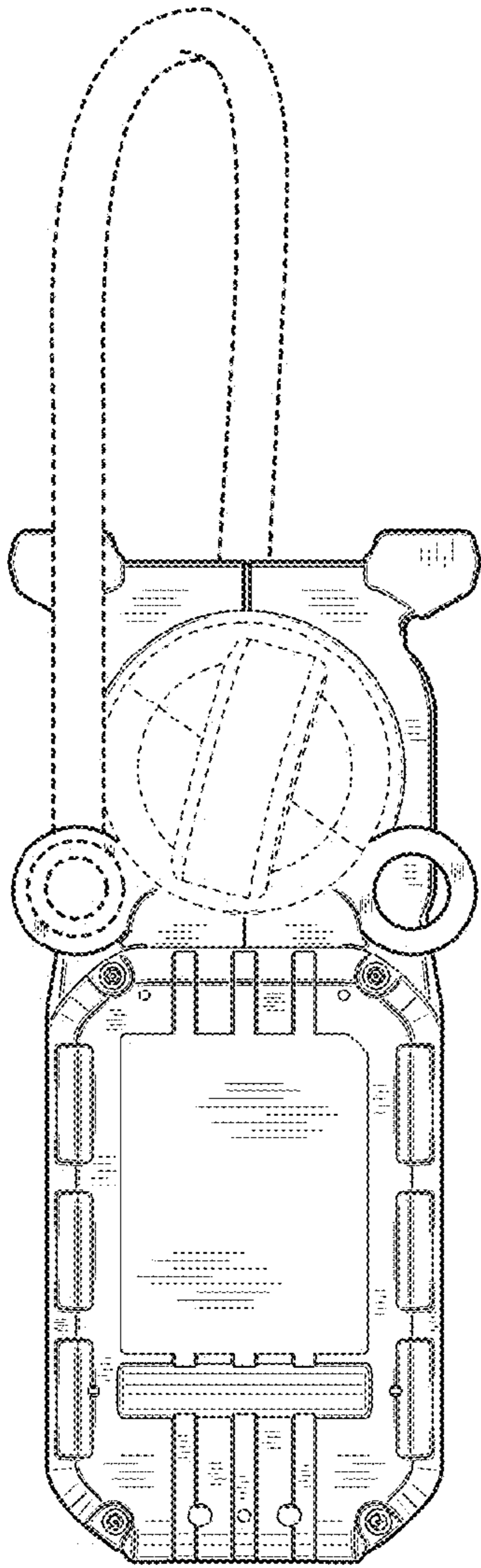


FIG. 6

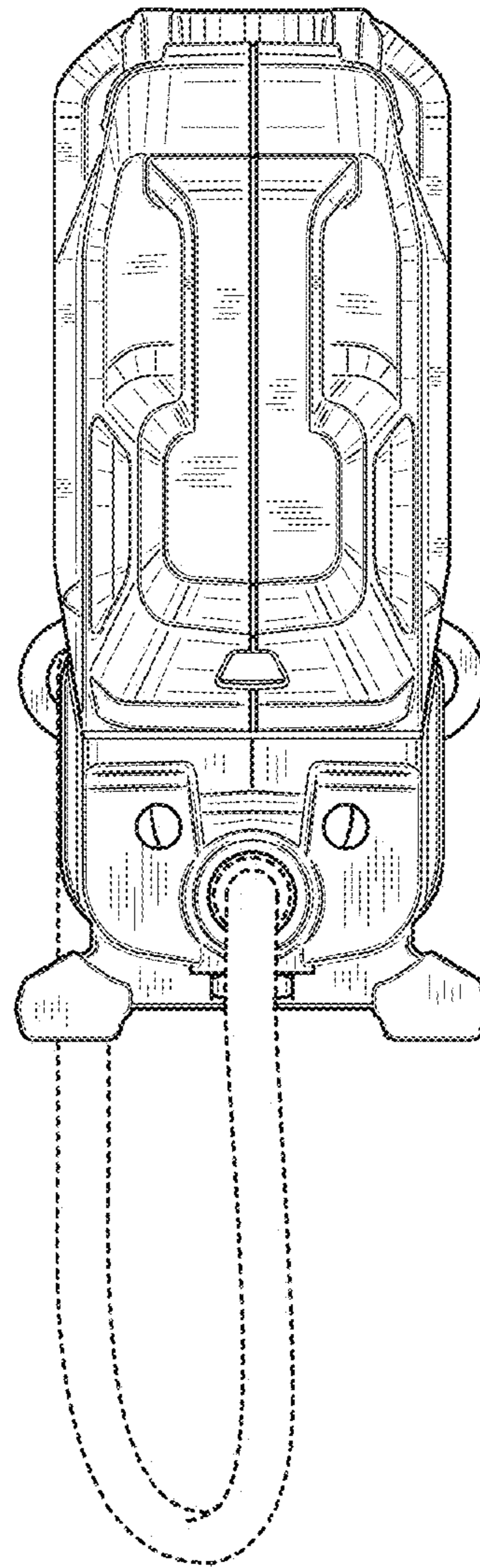


FIG. 7

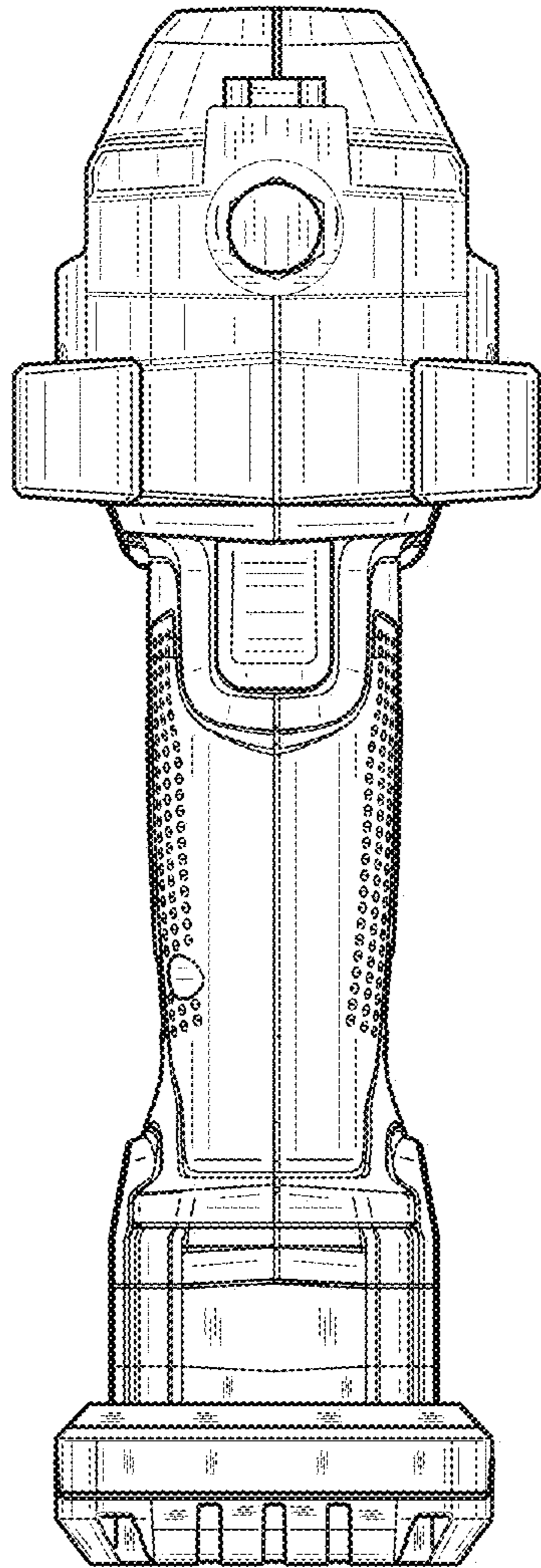


FIG. 8