



US00D710168S

(12) **United States Design Patent**  
**Bonney et al.**

(10) **Patent No.:** **US D710,168 S**

(45) **Date of Patent:** **\*\* Aug. 5, 2014**

(54) **POLE PULLER**

(76) Inventors: **Eugene H. Bonney**, Belfast, ME (US);  
**John Bonney**, Belfast, ME (US)

(\*\*) Term: **14 Years**

(21) Appl. No.: **29/425,518**

(22) Filed: **Jun. 24, 2012**

**Related U.S. Application Data**

(63) Continuation-in-part of application No. 12/218,886,  
filed on Jul. 18, 2008, now Pat. No. 8,282,077.

(51) **LOC (10) Cl.** ..... **08-05**

(52) **U.S. Cl.**  
USPC ..... **D8/51**

(58) **Field of Classification Search**  
CPC ..... B66F 11/00; B66F 3/00  
USPC ..... D8/1, 44, 51; D15/21, 199; 254/30  
See application file for complete search history.

(56) **References Cited**

**U.S. PATENT DOCUMENTS**

3,159,382	A *	12/1964	Belanger	.....	254/105
D340,391	S *	10/1993	Carpenter	.....	D8/51
5,911,408	A *	6/1999	Berends et al.	.....	254/2 B
6,131,884	A *	10/2000	Broussard et al.	.....	254/30
7,125,000	B1 *	10/2006	Saavedra et al.	.....	254/30

7,431,266	B1 *	10/2008	Evans	.....	254/30
8,282,077	B1 *	10/2012	Bonney et al.	.....	254/30
2007/0018144	A1 *	1/2007	Saavedra et al.	.....	254/30
2011/0017964	A1 *	1/2011	Sanders	.....	254/130

**OTHER PUBLICATIONS**

Bonney and Sons Electrical Utility Products Photo Library from  
bonneyandsons.com. 5 pages. Found online Apr. 24, 2014 at <http://bonneyandsons.com/photo-library/>.\*

\* cited by examiner

*Primary Examiner* — Robert M Spear

(74) *Attorney, Agent, or Firm* — Edward P Dutkiewicz

(57) **CLAIM**

The ornamental design for a pole puller, as shown and  
described.

**DESCRIPTION**

FIG. 1 is a front elevational view of the pole puller showing  
our new design;

FIG. 2 is a rear elevational view;

FIG. 3 is left side elevational view;

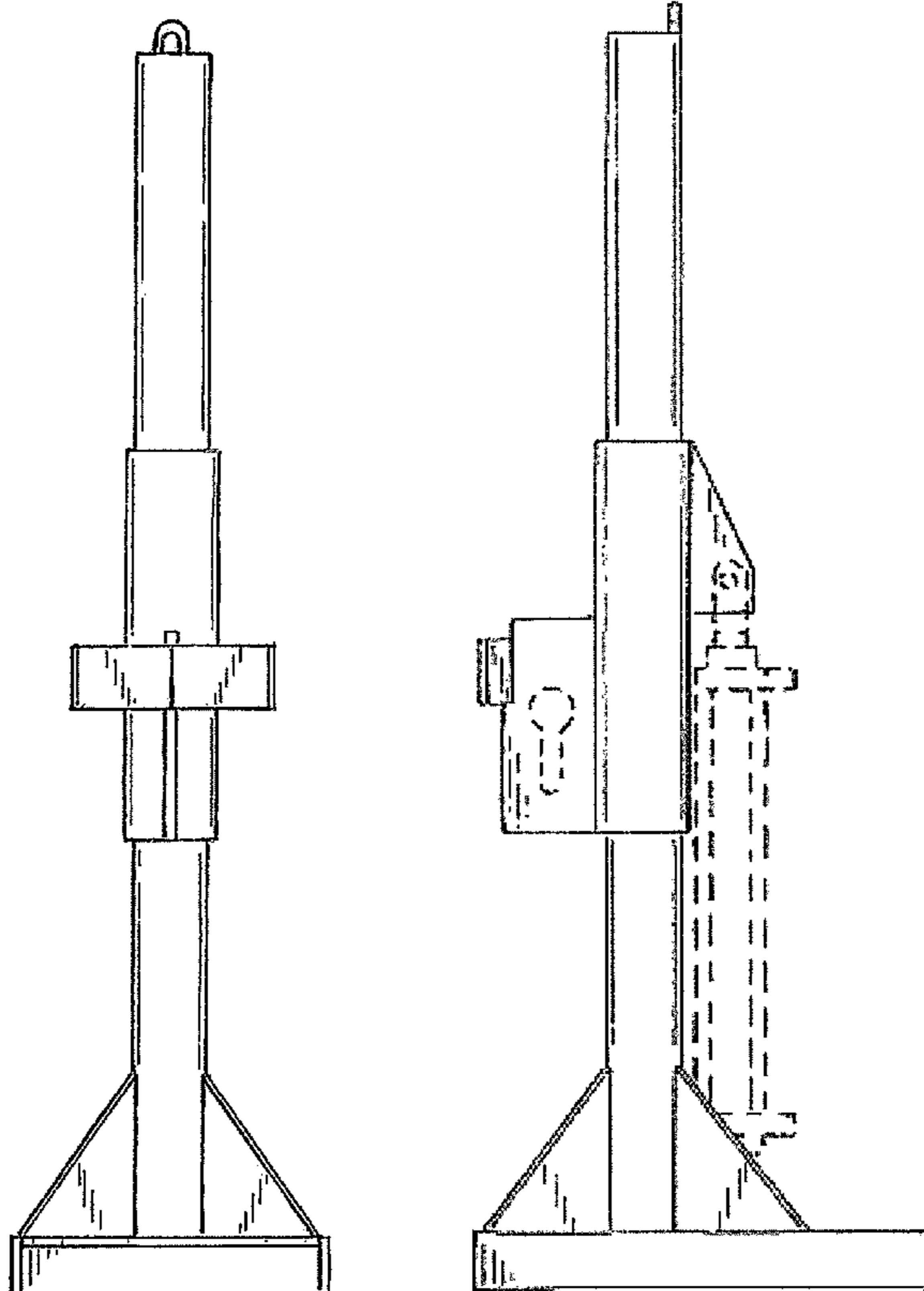
FIG. 4 is a right side elevational view;

FIG. 5 is top plan view; and,

FIG. 6 is a bottom plan view.

The broken lines in the drawings represent unclaimed envi-  
ronmental subject matter and form no part of the claim.

**1 Claim, 3 Drawing Sheets**



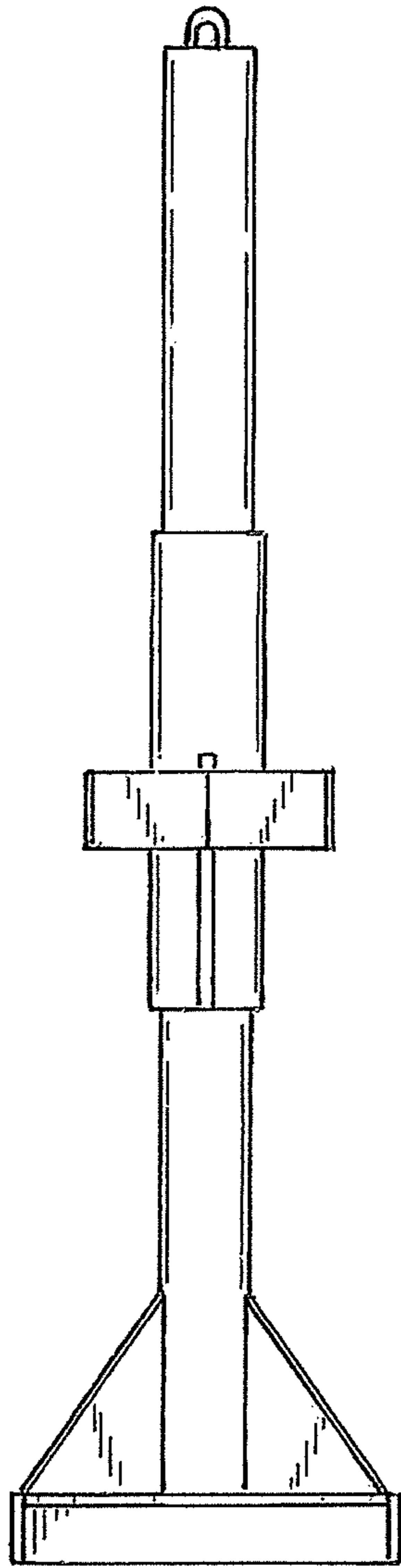


FIG. 1

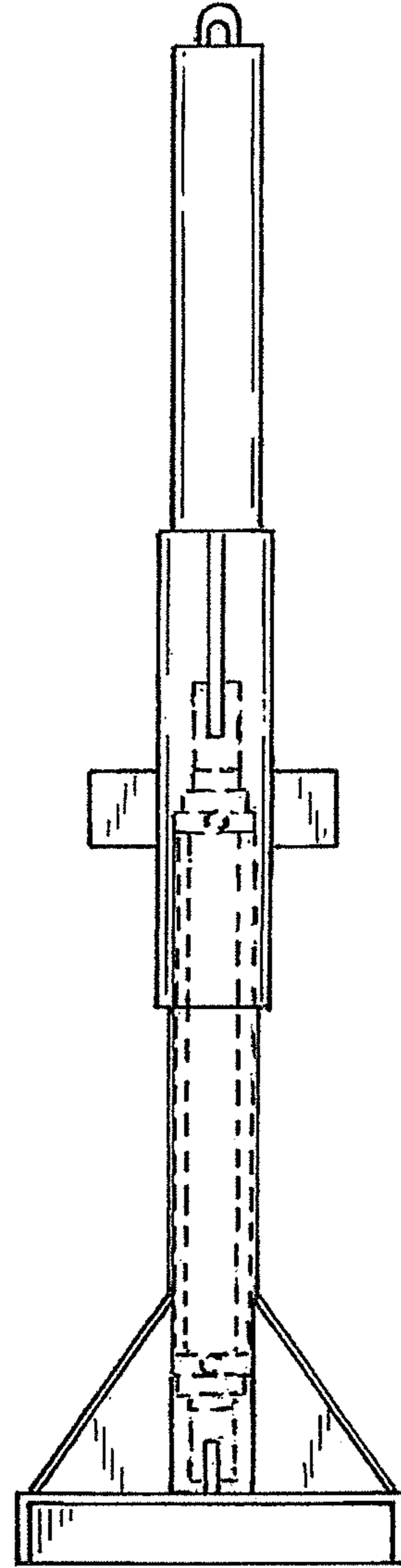


FIG. 2

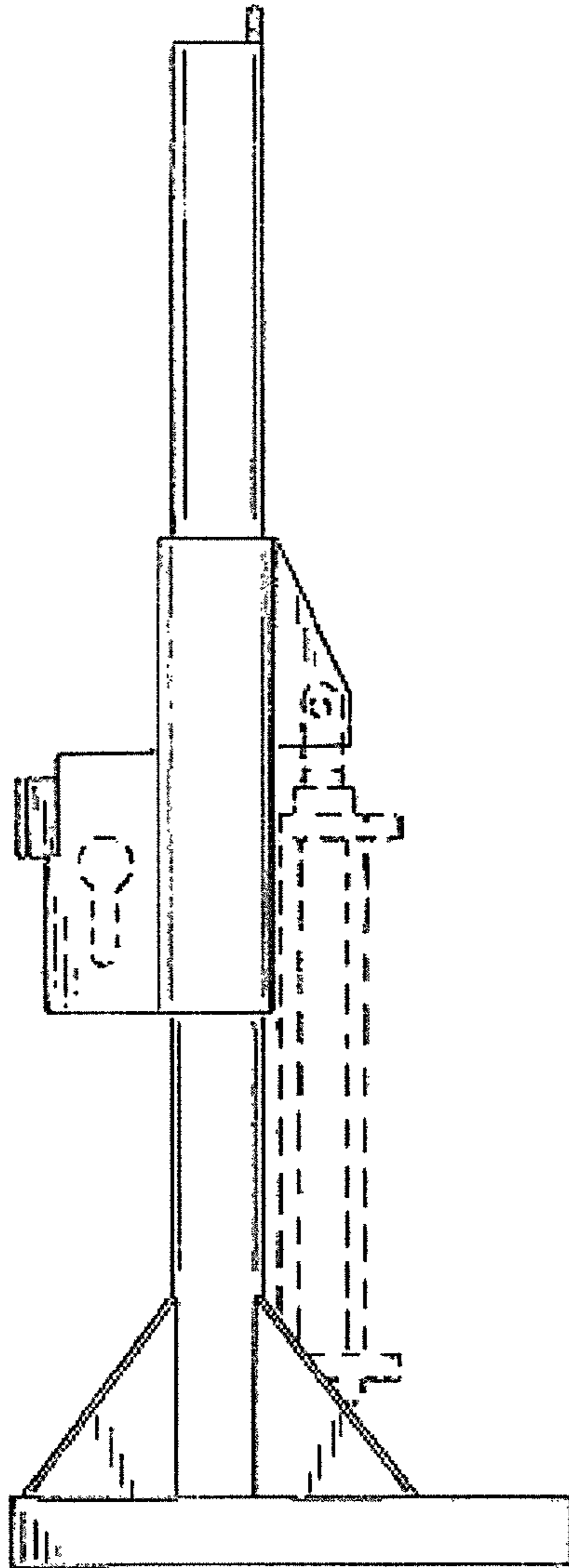


FIG. 3

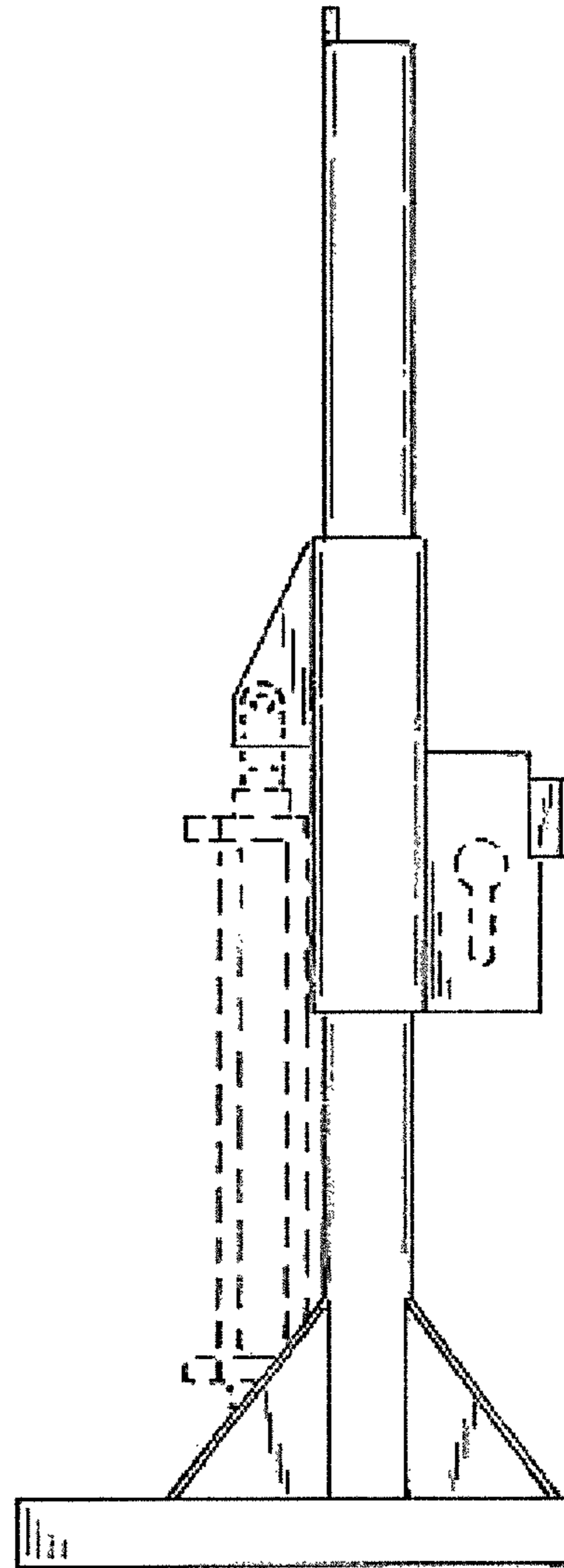


FIG. 4

FIG. 5

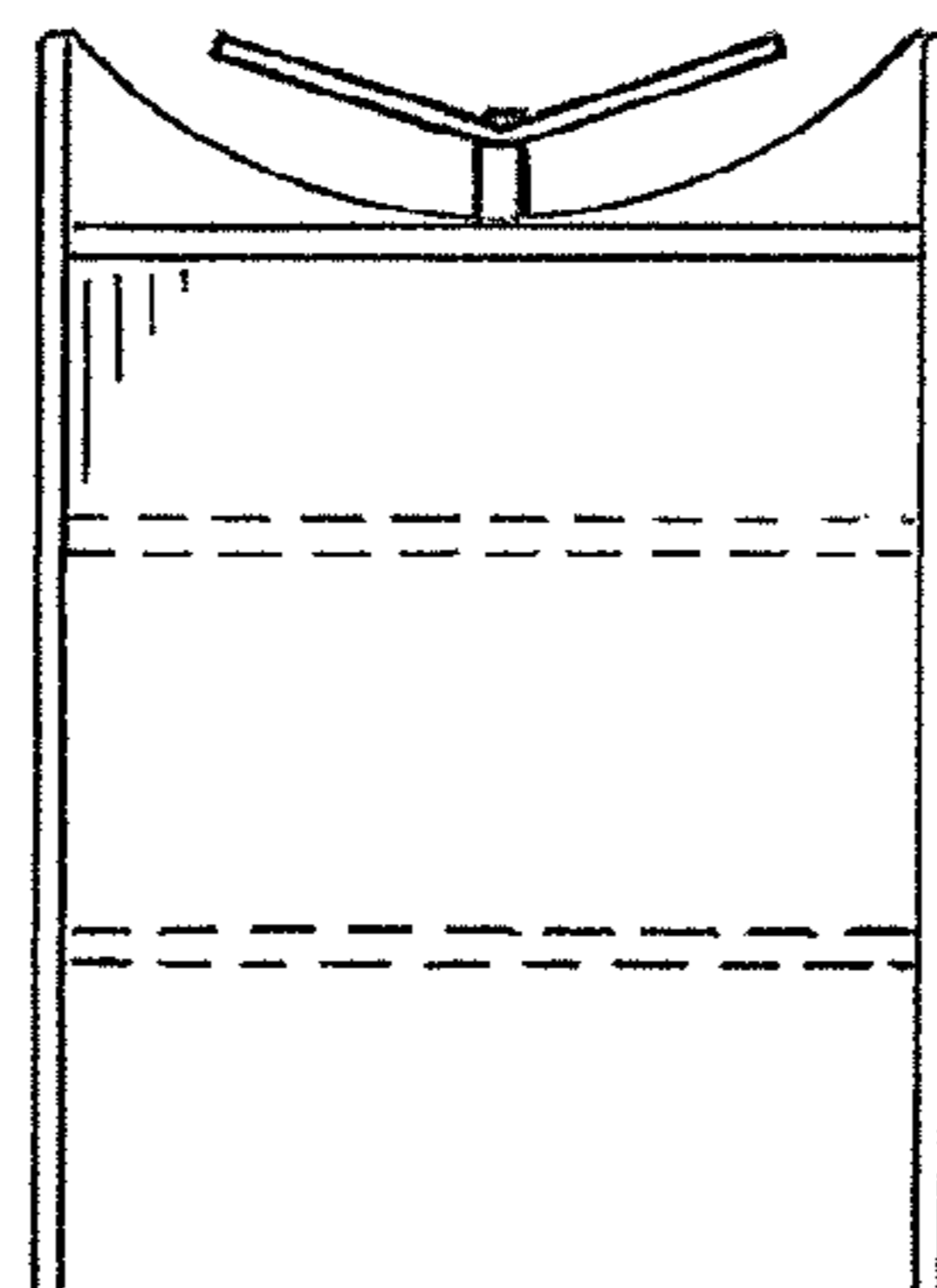
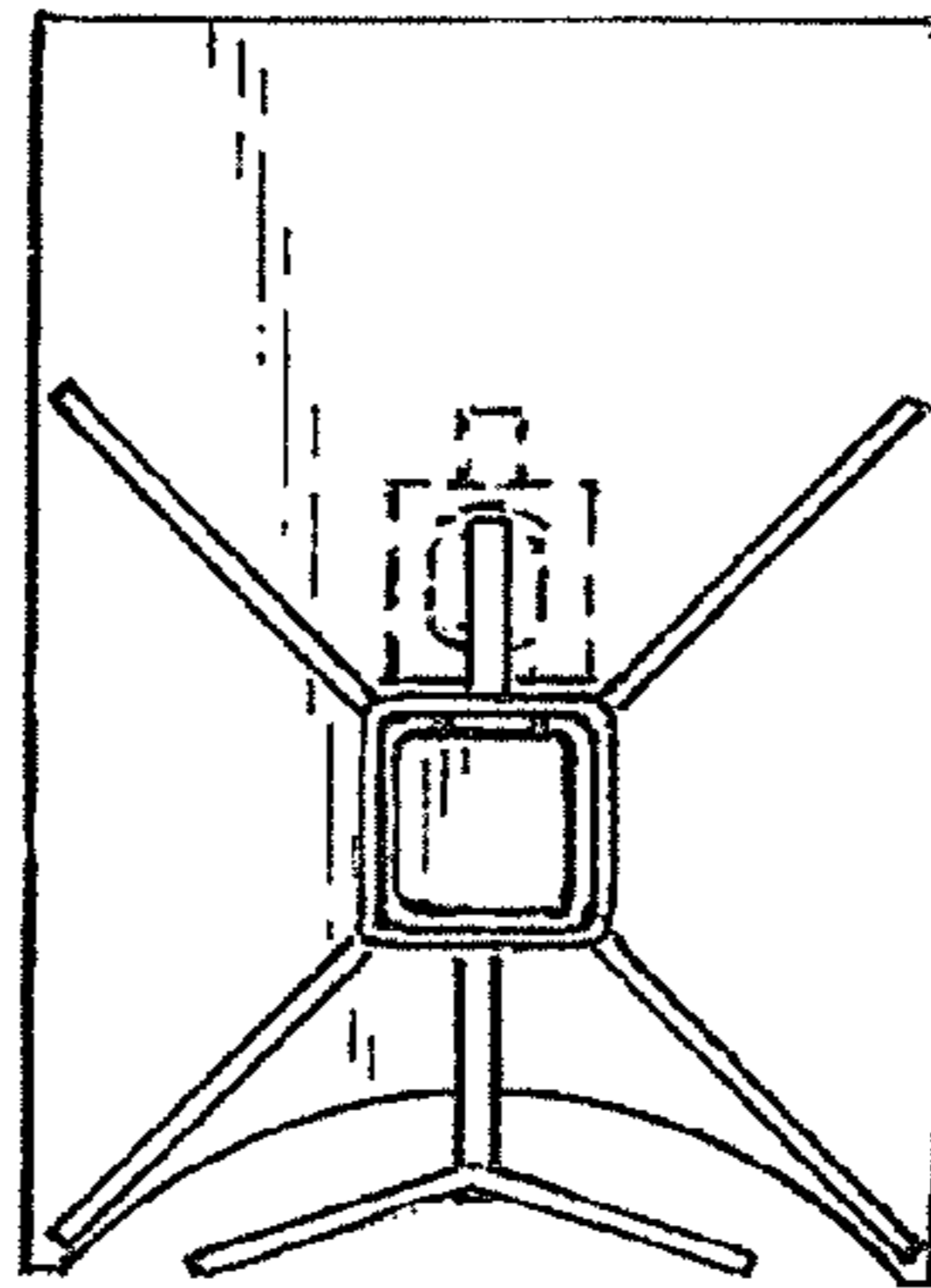


FIG. 6