



US00D710167S

(12) **United States Design Patent**  
**Miskin**

(10) **Patent No.:** **US D710,167 S**

(45) **Date of Patent:** **\*\* Aug. 5, 2014**

(54) **REMOVAL TOOL**

(71) Applicant: **Howard Charles Miskin**, Great Neck,  
NY (US)

(72) Inventor: **Howard Charles Miskin**, Great Neck,  
NY (US)

(\*\*) Term: **14 Years**

(21) Appl. No.: **29/479,862**

(22) Filed: **Jan. 21, 2014**

**Related U.S. Application Data**

(62) Division of application No. 29/464,216, filed on Aug. 14, 2013, now Pat. No. Des. 700,935, and a division of application No. 29/413,493, filed on Feb. 16, 2012, now Pat. No. Des. 689,926.

(51) **LOC (10) Cl.** ..... **19-02**

(52) **U.S. Cl.**  
USPC ..... **D8/48**

(58) **Field of Classification Search**  
USPC ..... D8/14, 16, 48, 89, 104; D19/65, 123;  
227/63; 254/21, 28, 30  
See application file for complete search history.

(56) **References Cited**

**U.S. PATENT DOCUMENTS**

1,767,948	A	*	6/1930	Taylor	.....	30/169
2,518,485	A	*	8/1950	Maynard	.....	254/28
D342,656	S	*	12/1993	Hochfeld et al.	.....	D8/48
D352,217	S	*	11/1994	Hochfeld et al.	.....	D8/48
D356,720	S	*	3/1995	Hochfeld et al.	.....	D8/48
D388,306	S	*	12/1997	Vaught	.....	D8/104

D414,998	S	*	10/1999	Cheldin	.....	D8/48
D419,410	S	*	1/2000	Wilson	.....	D8/48
D438,440	S	*	3/2001	Cheldin	.....	D8/48
D448,405	S	*	9/2001	Kowalski	.....	D19/36
D492,173	S	*	6/2004	Huang	.....	D8/48
D501,387	S	*	2/2005	Huang	.....	D8/105
7,131,636	B1	*	11/2006	Gurmu	.....	254/28
D547,156	S	*	7/2007	Lee	.....	D8/104
D583,210	S	*	12/2008	Koepp	.....	D8/89
D585,262	S	*	1/2009	Cheldin	.....	D8/104
D591,134	S	*	4/2009	Darbinyan	.....	D8/89
D621,678	S	*	8/2010	Huang	.....	D8/104
8,387,952	B2	*	3/2013	Khan	.....	254/28
D682,064	S	*	5/2013	Ortiz	.....	D8/89

\* cited by examiner

*Primary Examiner* — Elizabeth Albert

(74) *Attorney, Agent, or Firm* — Gloria Tsui-Yip, Esq.;  
Wendi Uzar, Esq.

(57) **CLAIM**

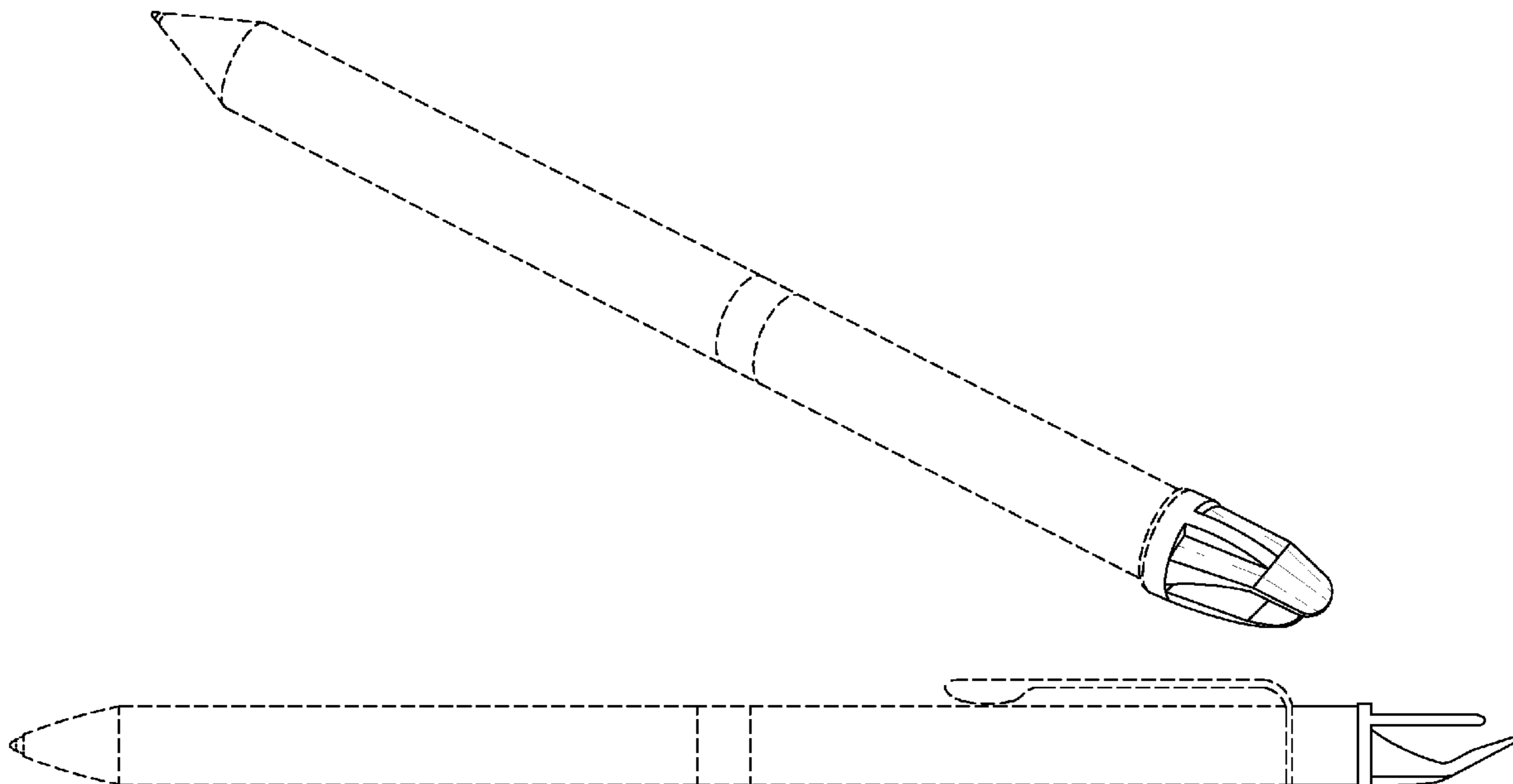
The ornamental design for a removal tool, as shown and described.

**DESCRIPTION**

FIG. 1 is a perspective view of my new design;  
FIG. 2 is a left side view thereof;  
FIG. 3 is a right side view thereof;  
FIG. 4 is a rear elevational view thereof;  
FIG. 5 is a front elevational view thereof;  
FIG. 6 is bottom view thereof; and,  
FIG. 7 is a top view thereof.

The broken lines in FIGS. 1-7 are included for the purpose of illustrating portions of the writing instrument that form no part of the claimed design.

**1 Claim, 4 Drawing Sheets**



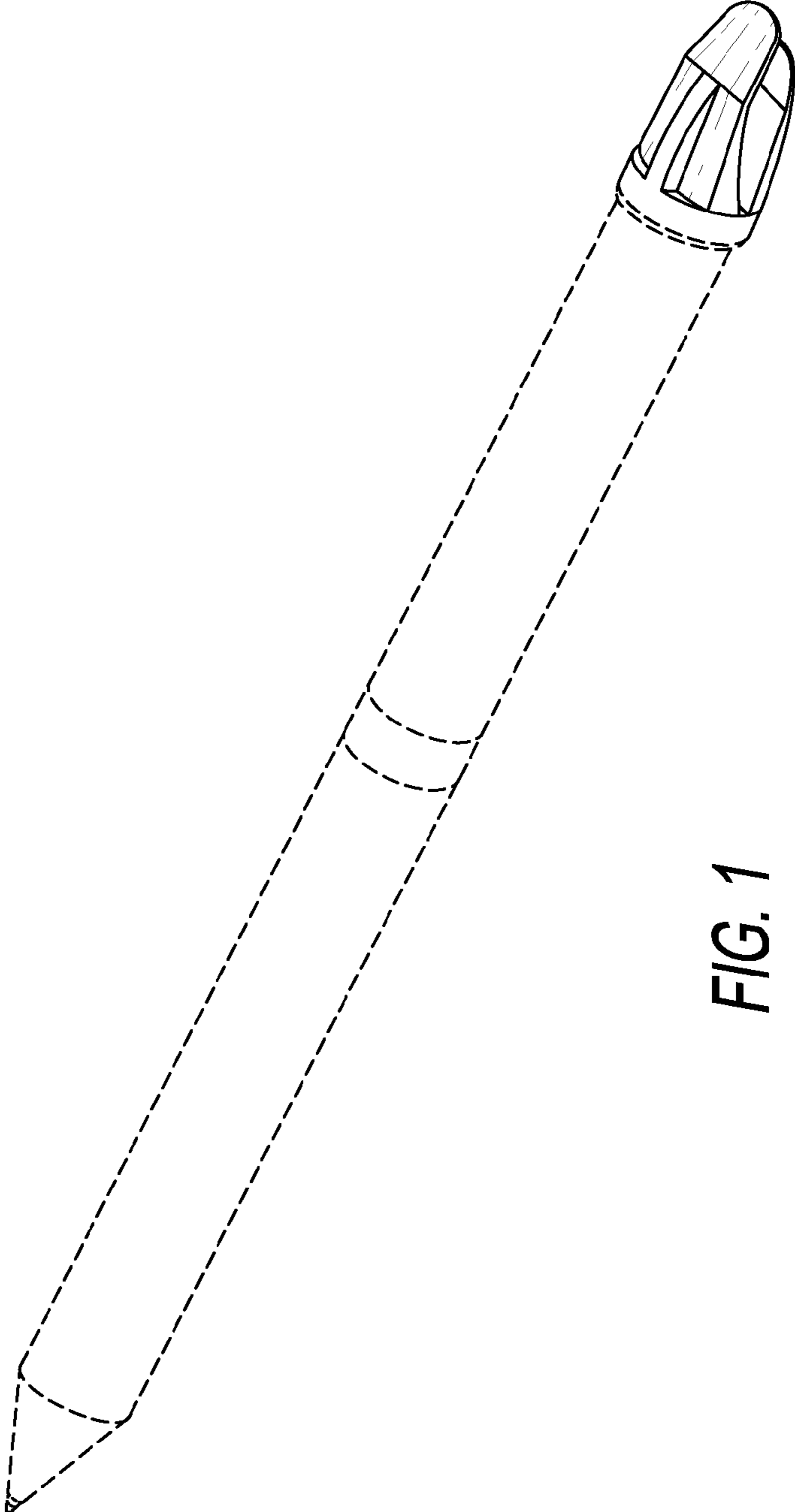


FIG. 1

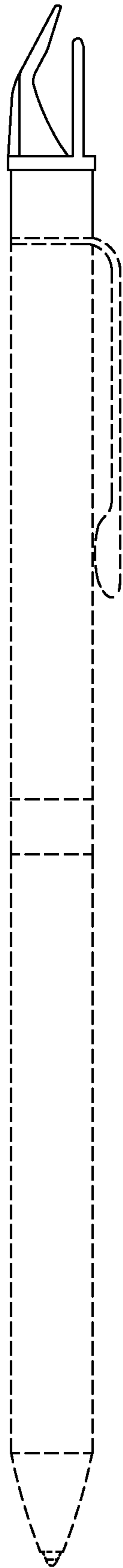


FIG. 2

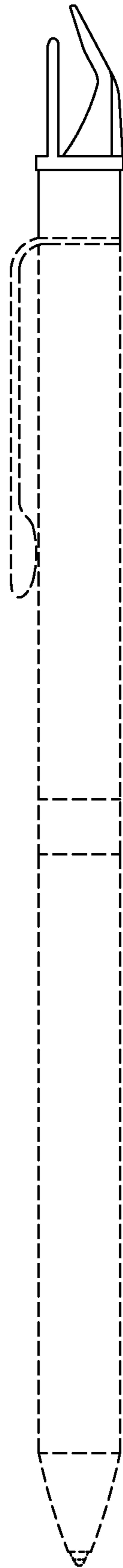


FIG. 3

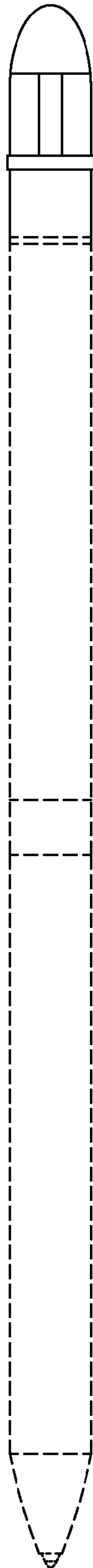


FIG. 4

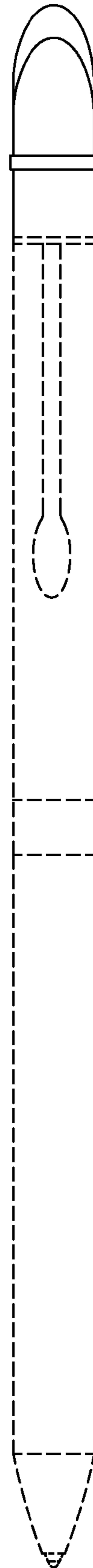
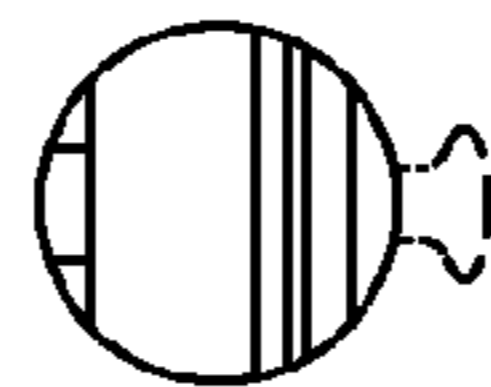


FIG. 5



*FIG. 6*



*FIG. 7*