



US00D710165S

(12) **United States Design Patent**  
**Radwill et al.**

(10) **Patent No.:** **US D710,165 S**

(45) **Date of Patent:** **\*\* Aug. 5, 2014**

(54) **HEAT GUN**  
(71) Applicant: **Master Appliance Corporation**, Racine, WI (US)  
(72) Inventors: **Arthur Scott Radwill**, Racine, WI (US); **Paul Monet**, Brookfield, WI (US); **Daniel John De Lay**, Muskego, WI (US); **Mark Lester Brenneman**, Burlington, WI (US)

4,629,864 A \* 12/1986 Wilson ..... 392/385  
D288,472 S \* 2/1987 Miller et al. .... D23/332  
4,658,991 A \* 4/1987 Dziki ..... 222/146.5  
4,683,370 A \* 7/1987 Petersen et al. .... 392/385  
D296,070 S \* 6/1988 Cunningham ..... D8/29.1  
D300,512 S \* 4/1989 Ahlberg ..... D9/448  
D302,780 S \* 8/1989 Himbert et al. .... D8/47  
D307,703 S \* 5/1990 Tomasula ..... D8/107  
4,951,846 A \* 8/1990 Oster et al. .... 222/146.5  
D310,706 S \* 9/1990 Heren et al. .... D23/226

(Continued)

(73) Assignee: **Master Appliance Corporation**, Racine, WI (US)

(\*\*) Term: **14 Years**

(21) Appl. No.: **29/433,844**

(22) Filed: **Oct. 5, 2012**

(51) **LOC (10) Cl.** ..... **08-05**

(52) **U.S. Cl.**  
USPC ..... **D8/29.1**

(58) **Field of Classification Search**  
USPC ..... D8/14.1, 29.1, 29.2, 30, 69, 70, 107,  
D8/303; D15/144, 144.1, 144.2, 150, 151;  
D23/332; D28/13, 18; 219/368-370;  
392/369, 384-385

See application file for complete search history.

(56) **References Cited**

**U.S. PATENT DOCUMENTS**

D31,257 S \* 7/1899 Mather ..... D8/303  
D123,490 S \* 11/1940 Saffell ..... D8/93  
2,717,619 A \* 9/1955 Whitman ..... 220/214  
D198,197 S \* 5/1964 Utz ..... D8/303  
D267,467 S \* 1/1983 Vosbikian ..... D8/1  
D280,072 S \* 8/1985 Dziki ..... D8/61  
4,552,287 A \* 11/1985 Dziki ..... 222/146.5  
4,621,748 A \* 11/1986 Dziki ..... 222/146.5

**OTHER PUBLICATIONS**

Master Appliance® Proheat® STC™ Heat Gun. Downloaded from <http://www.masterappliance.com/content/proheat®-stc™heat-gun-0> on Jan. 12, 2014.\*

*Primary Examiner* — Philip S Hyder

*Assistant Examiner* — Roselynn Cody

(74) *Attorney, Agent, or Firm* — Michael Best & Friedrich LLP

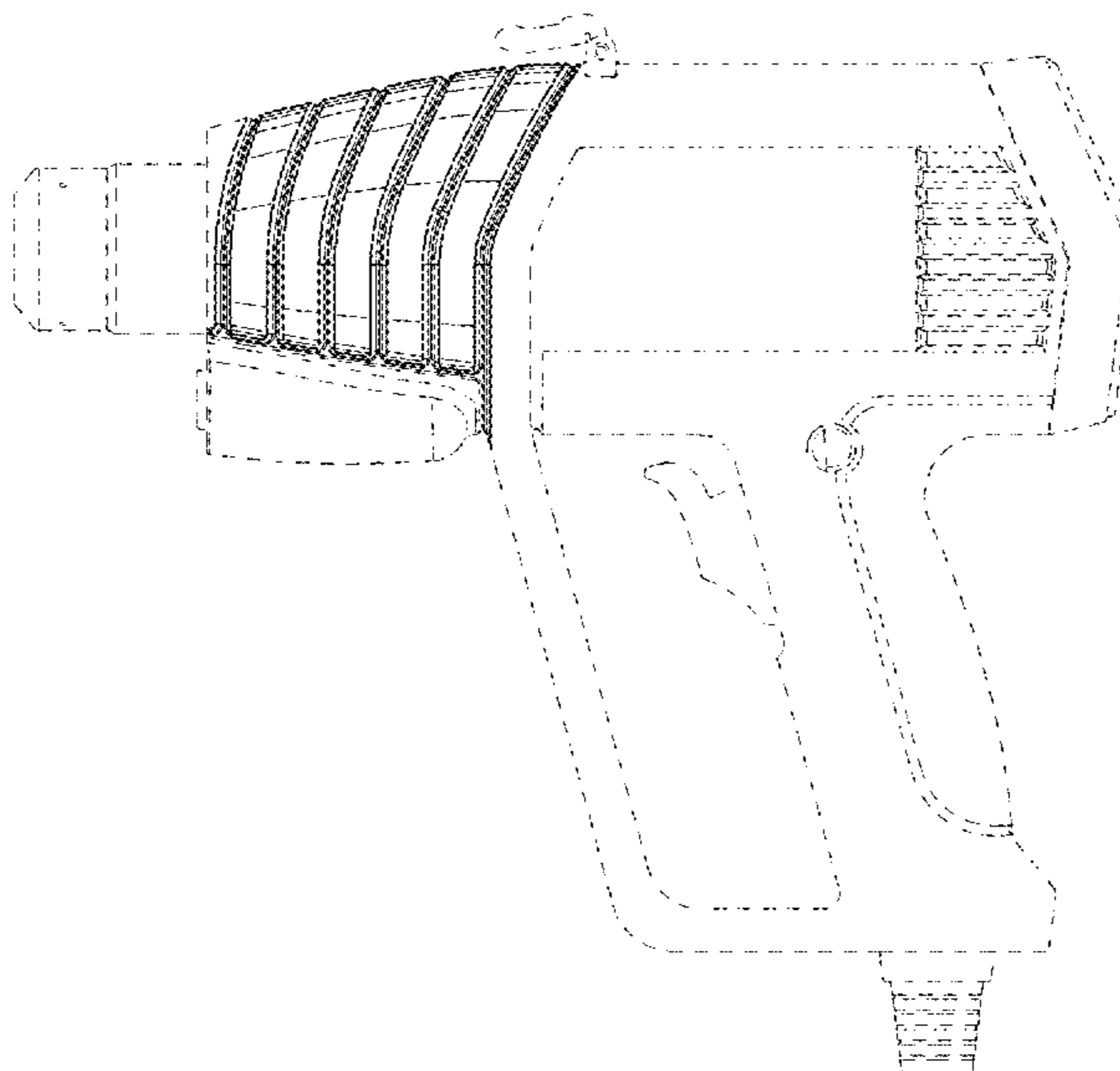
(57) **CLAIM**

We claim the ornamental design for a heat gun, as shown and described in FIGS. 1-7.

**DESCRIPTION**

FIG. 1 is a perspective view of a heat gun  
FIG. 2 is a left side view of the heat gun shown in FIG. 1.  
FIG. 3 is a right side view of the heat gun shown in FIG. 1.  
FIG. 4 is a front view of the heat gun shown in FIG. 1.  
FIG. 5 is a back view of the heat gun shown in FIG. 1.  
FIG. 6 is a top view of the heat gun shown in FIG. 1; and,  
FIG. 7 is a bottom view of the heat gun shown in FIG. 1.  
The elements shown in broken lines are included for the purpose of illustrating environment and form no part of the claimed design.

**1 Claim, 7 Drawing Sheets**



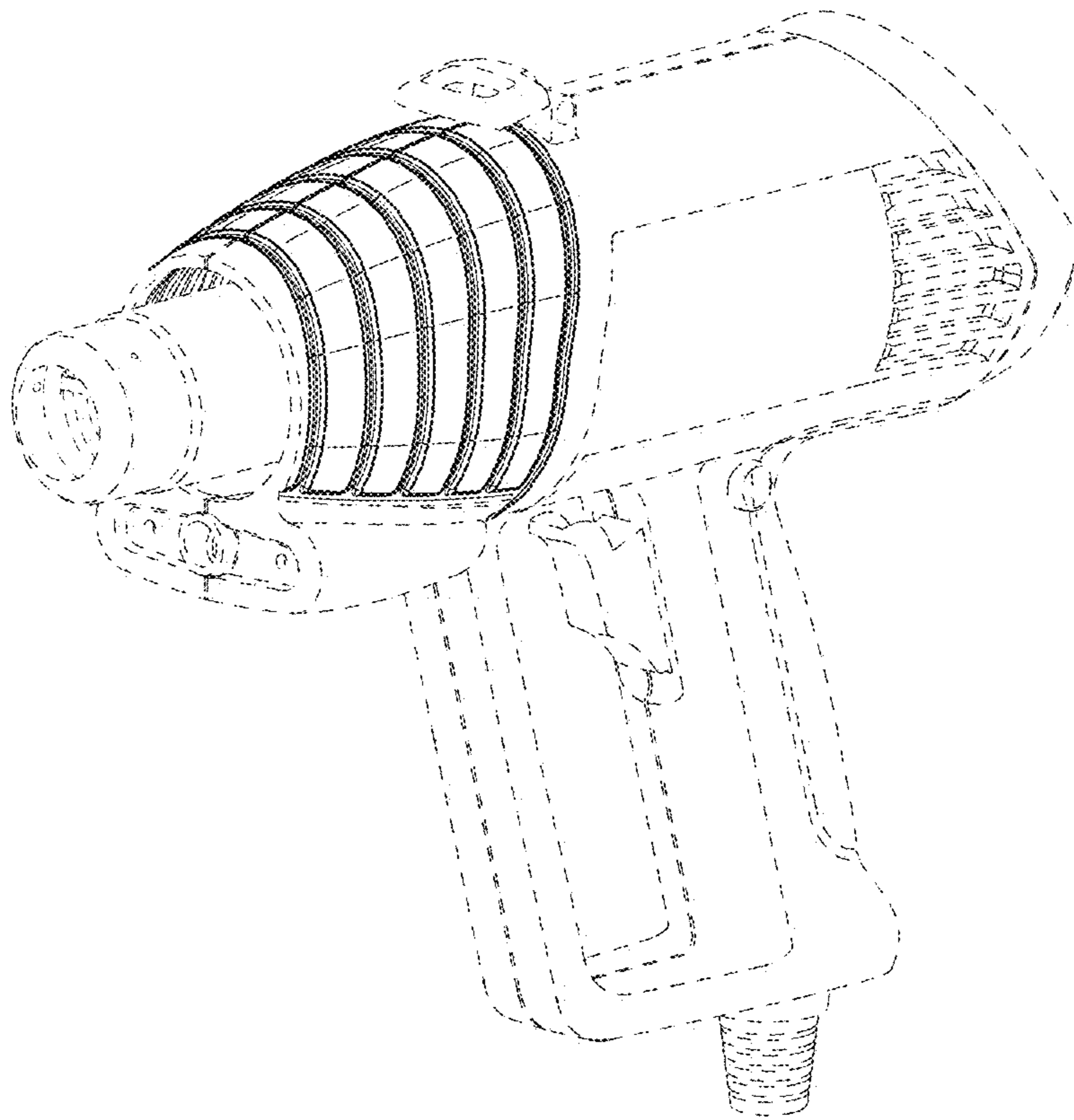
(56)

**References Cited**

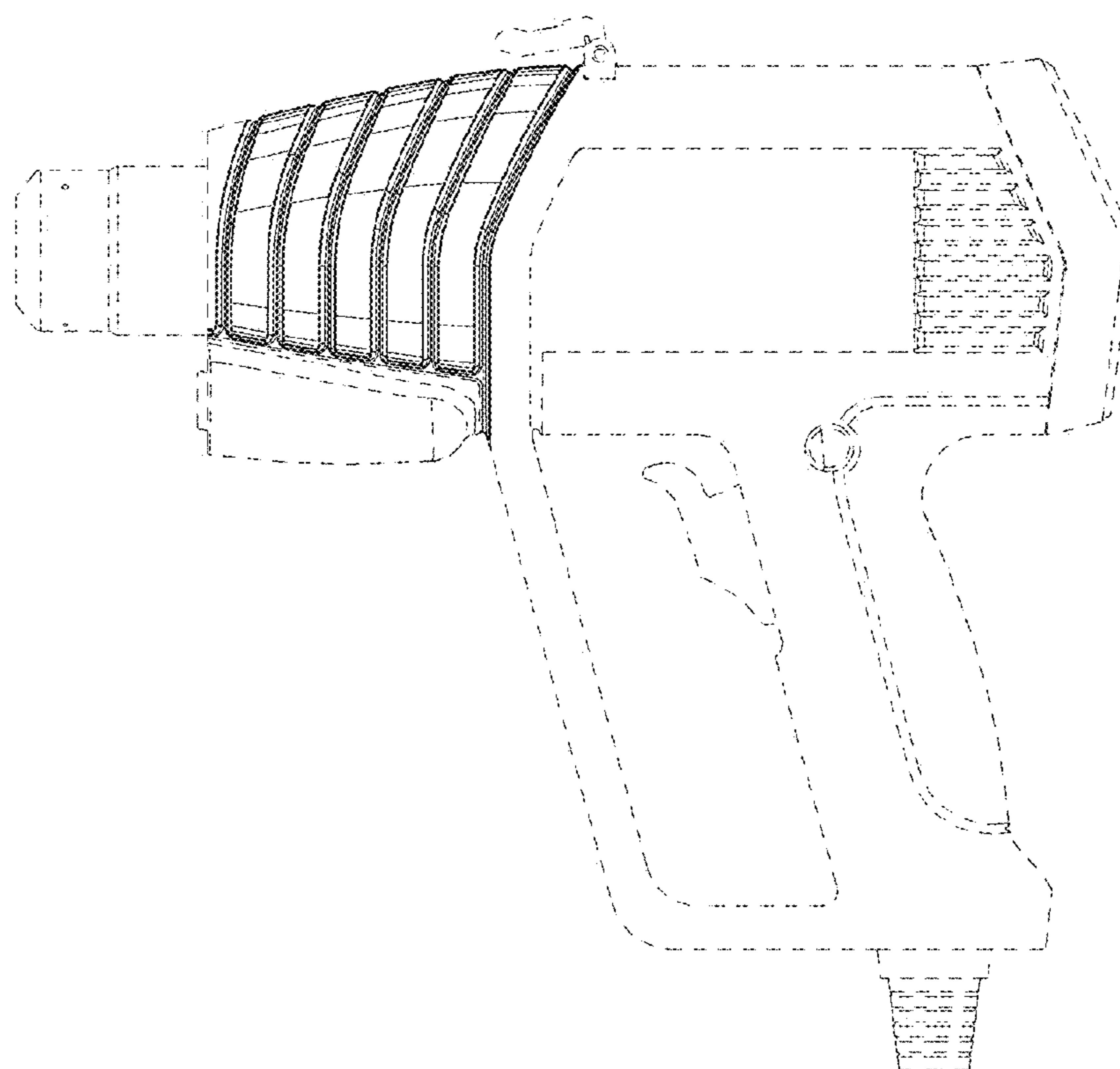
U.S. PATENT DOCUMENTS

D315,852 S *	4/1991	Nusse et al.	.....	D8/30	D325,154 S *	4/1992	King et al.	.....	D8/30
D316,019 S *	4/1991	Belanger	.....	D8/30	5,105,987 A *	4/1992	Quinn et al.	.....	222/146.5
D316,506 S *	4/1991	Nusse et al.	.....	D8/30	D330,069 S *	10/1992	Feyen	.....	D23/226
D318,116 S *	7/1991	Michelson	.....	D24/147	D334,876 S *	4/1993	Swedish	.....	D8/29.1
D318,118 S *	7/1991	Michelson	.....	D24/147	D381,887 S *	8/1997	Chen	.....	D8/303
D322,022 S *	12/1991	Cunningham et al.	.....	D8/303	D462,747 S *	9/2002	Pavlovic	.....	D23/250
					D515,654 S *	2/2006	Trbovich, Jr.	.....	D22/118
					D600,773 S *	9/2009	Hall	.....	D22/139
					D619,196 S *	7/2010	Cardwell et al.	.....	D22/117

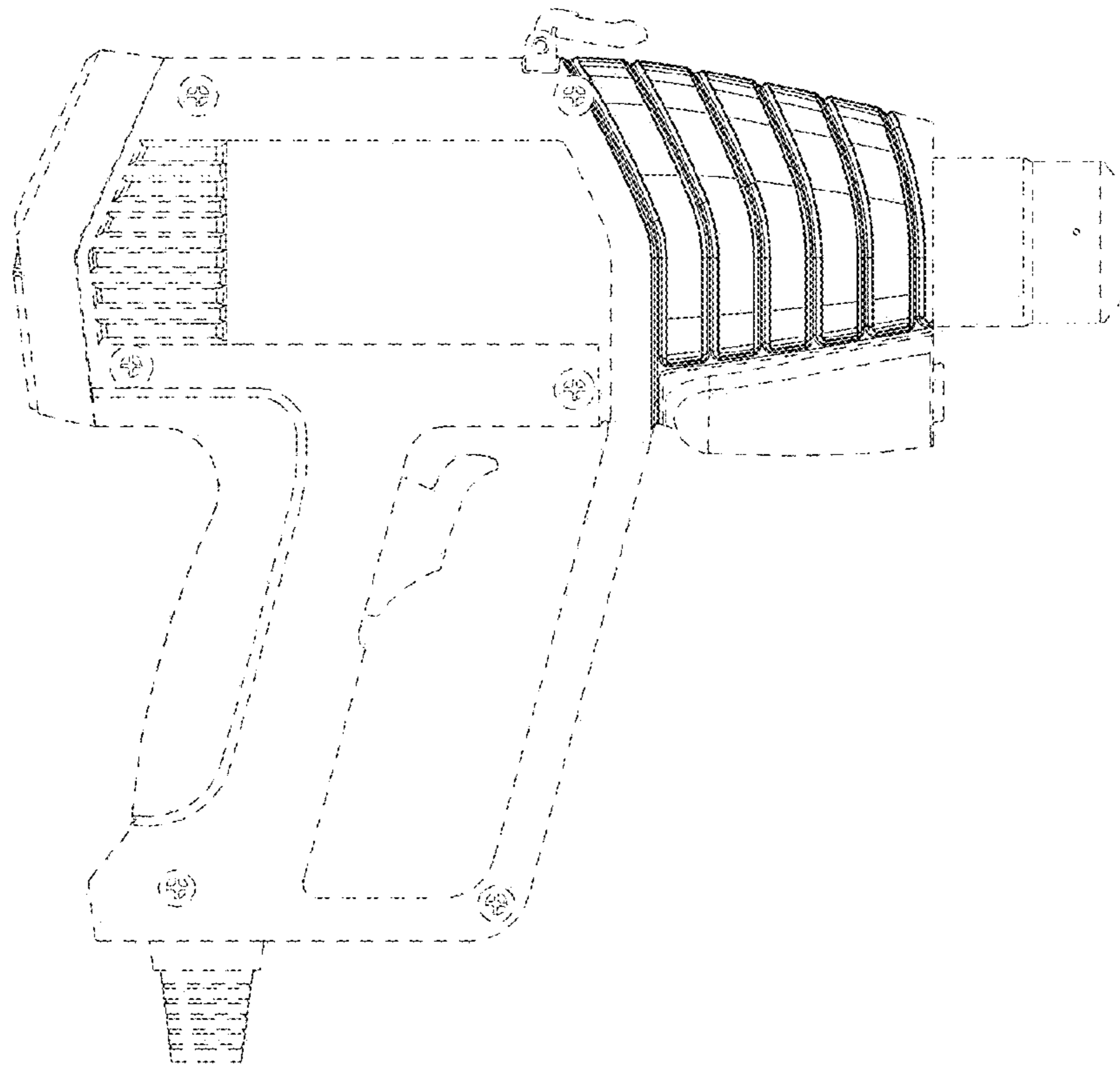
\* cited by examiner



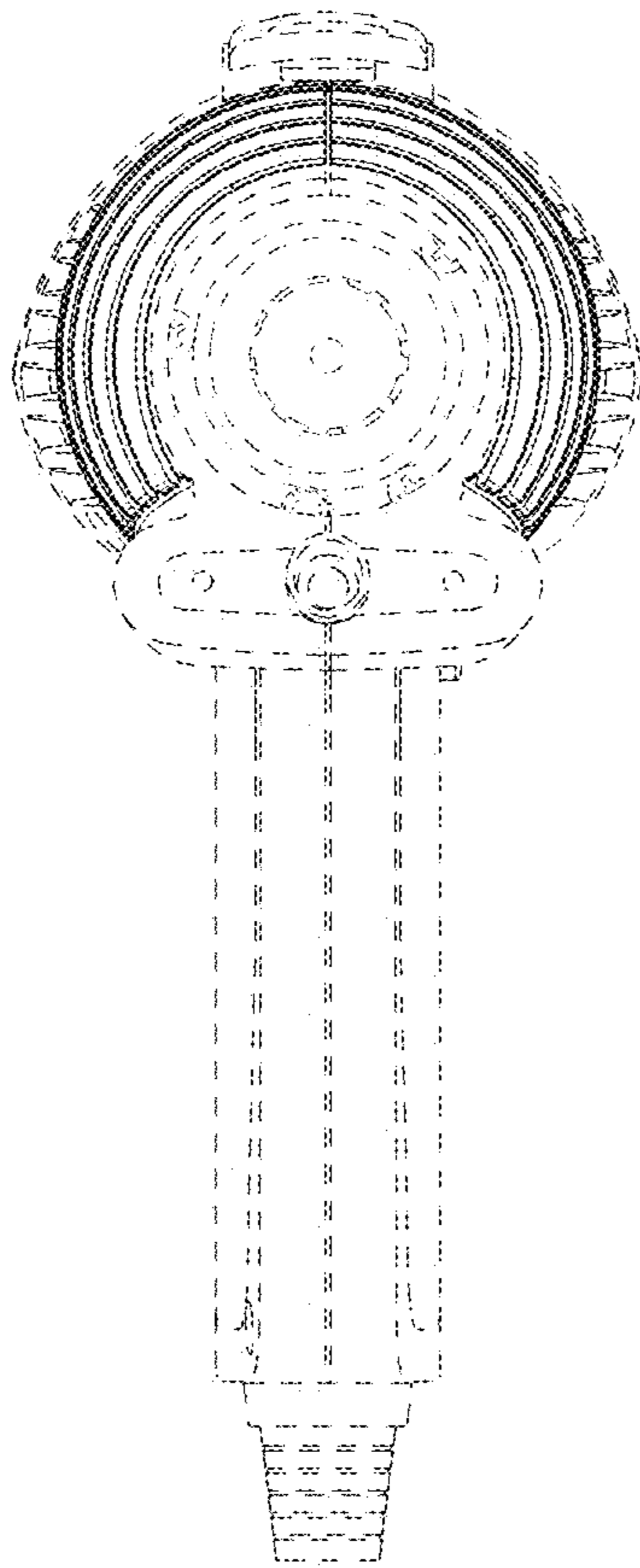
**FIG. 1**



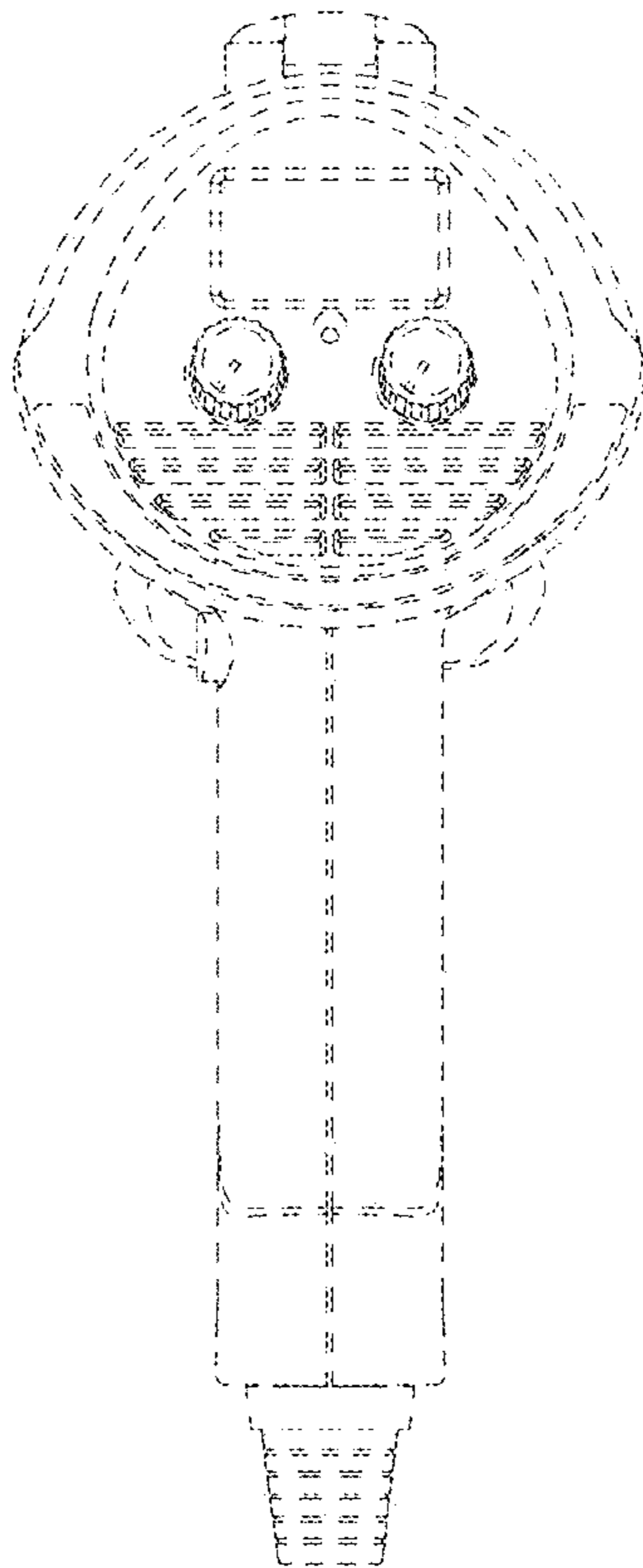
**FIG. 2**



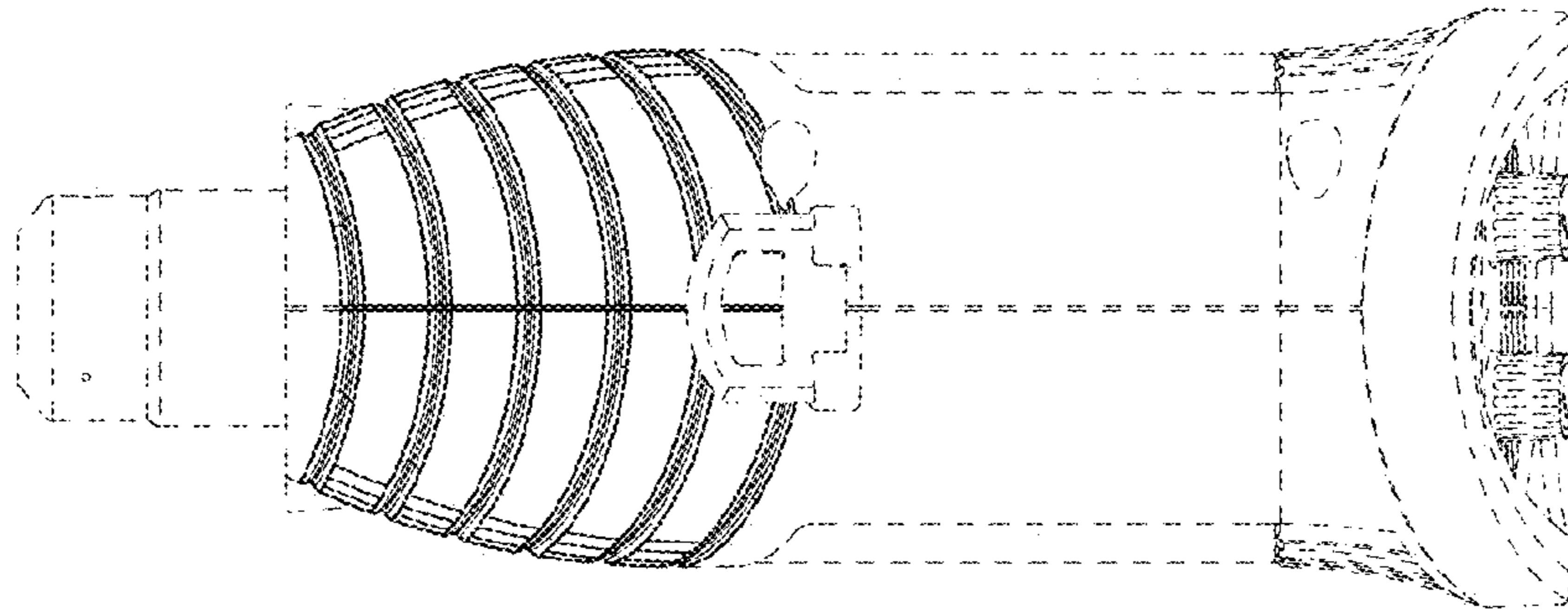
**FIG. 3**



**FIG. 4**

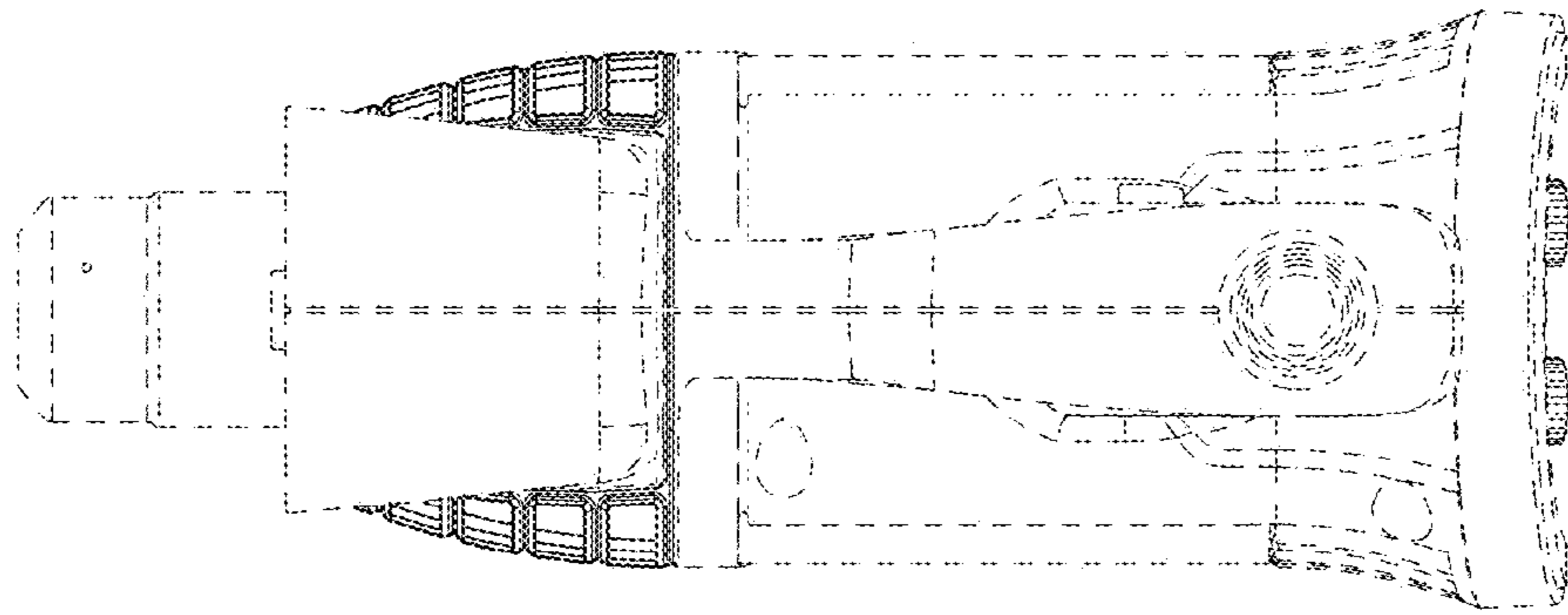


**FIG. 5**



**FIG. 6**





**FIG. 7**