



US00D710164S

(12) **United States Design Patent**
Wu

(10) **Patent No.:** **US D710,164 S**
(45) **Date of Patent:** **** Aug. 5, 2014**

- (54) **WRENCH**
- (71) Applicant: **Proxene Tools Co., Ltd.**, Taichung (TW)
- (72) Inventor: **Arthur Wu**, Taichung (TW)
- (73) Assignee: **Proxene Tools Co., Ltd.**, Taichung (TW)
- (**) Term: **14 Years**
- (21) Appl. No.: **29/470,883**
- (22) Filed: **Oct. 25, 2013**

D414,995 S * 10/1999 Hsieh D8/17
 6,276,240 B1 * 8/2001 Blacklock 81/119
 D465,976 S * 11/2002 Wang D8/17

* cited by examiner

Primary Examiner — Randall Gholson
 (74) *Attorney, Agent, or Firm* — Muncy, Geissler, Olds & Lowe, P.C.

- (30) **Foreign Application Priority Data**
- Apr. 26, 2013 (TW) 102302949
- (51) **LOC (10) Cl.** **08-05**
- (52) **U.S. Cl.**
USPC **D8/21**
- (58) **Field of Classification Search**
USPC D8/21, 22; 81/119, 179, 186, 165, 490,
81/170, 166, 167, 145, 146, 147, 129, 155,
81/133, 177.2, 52, 56, 57.15, 57.21,
81/DIG. 3; 16/110.1
See application file for complete search history.

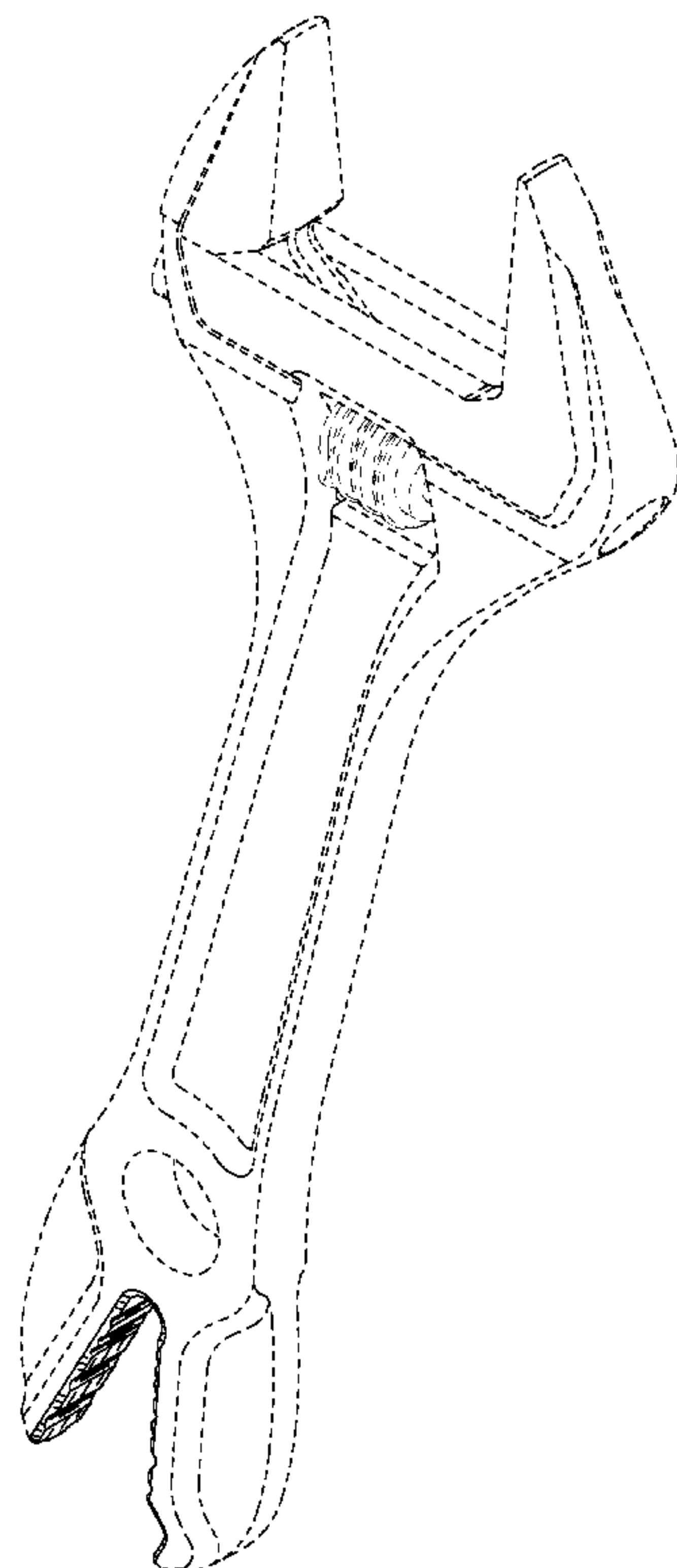
(57) **CLAIM**
 I claim the ornamental design for a wrench, as shown and described.

DESCRIPTION

FIG. 1 is a front, top perspective view of a wrench showing my new design;
 FIG. 2 is a front elevational view thereof;
 FIG. 3 is a rear elevational view thereof;
 FIG. 4 is a left side view thereof;
 FIG. 5 is a right side view thereof;
 FIG. 6 is a top plan view thereof;
 FIG. 7 is a bottom plan view thereof;
 FIG. 8 is a partially enlarged left, bottom perspective view thereof;
 FIG. 9 is a partially enlarged right, bottom perspective view thereof; and,
 FIG. 10 is a partially enlarged bottom plan view.
 The portions shown in broken lines are for the purpose of illustrating environmental structure only and form no part of the claimed design.

- (56) **References Cited**
- U.S. PATENT DOCUMENTS
- 1,626,453 A * 4/1927 Cox 81/179
- 2,441,144 A * 5/1948 Gregory 81/90.2
- D351,541 S * 10/1994 Smith D8/28
- D410,826 S * 6/1999 Hsieh D8/28

1 Claim, 8 Drawing Sheets



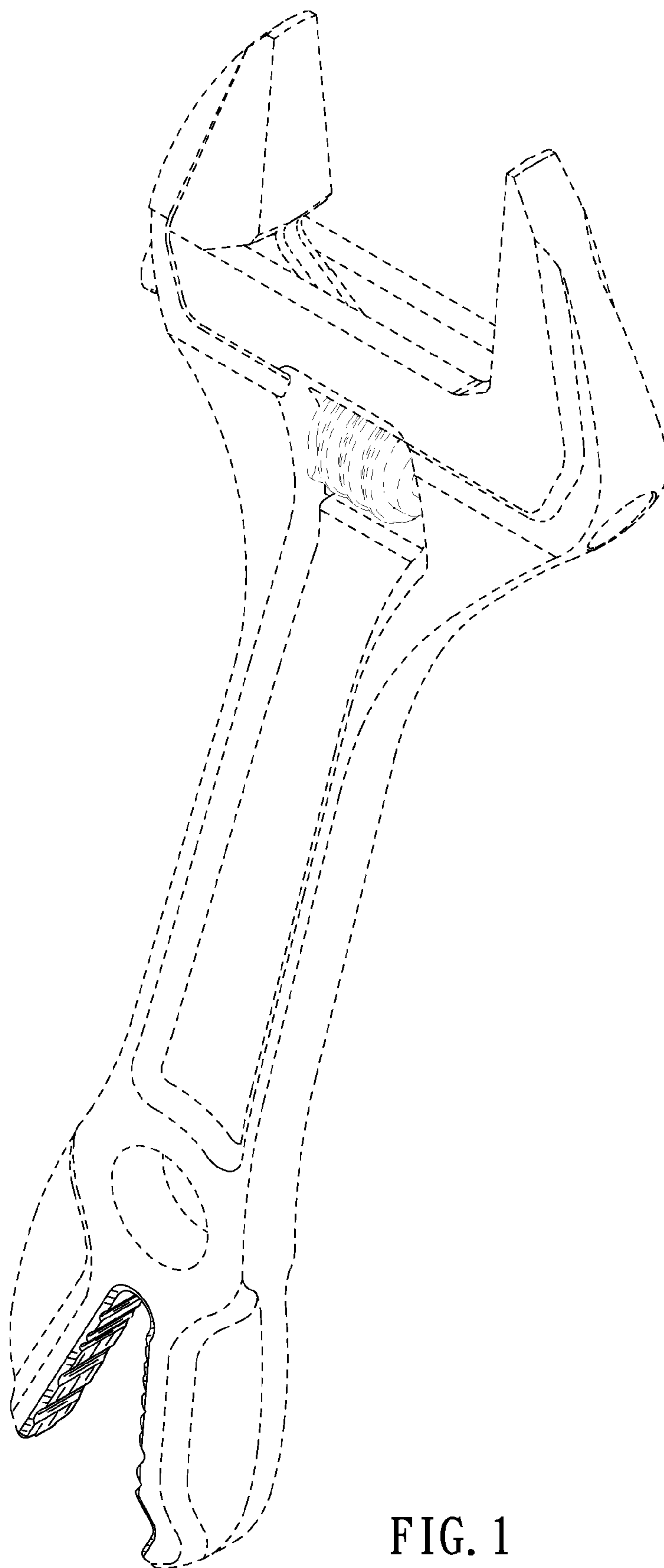


FIG. 1

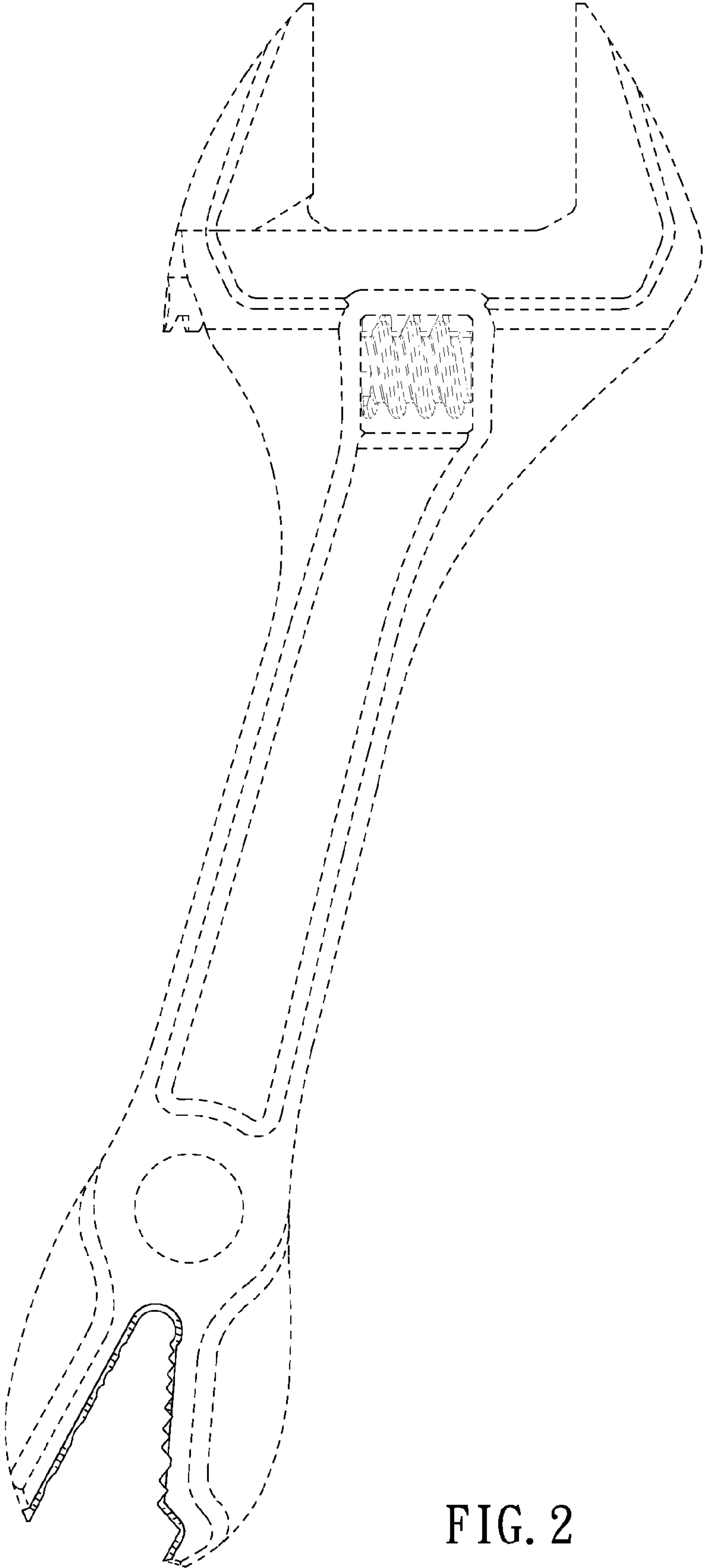


FIG. 2

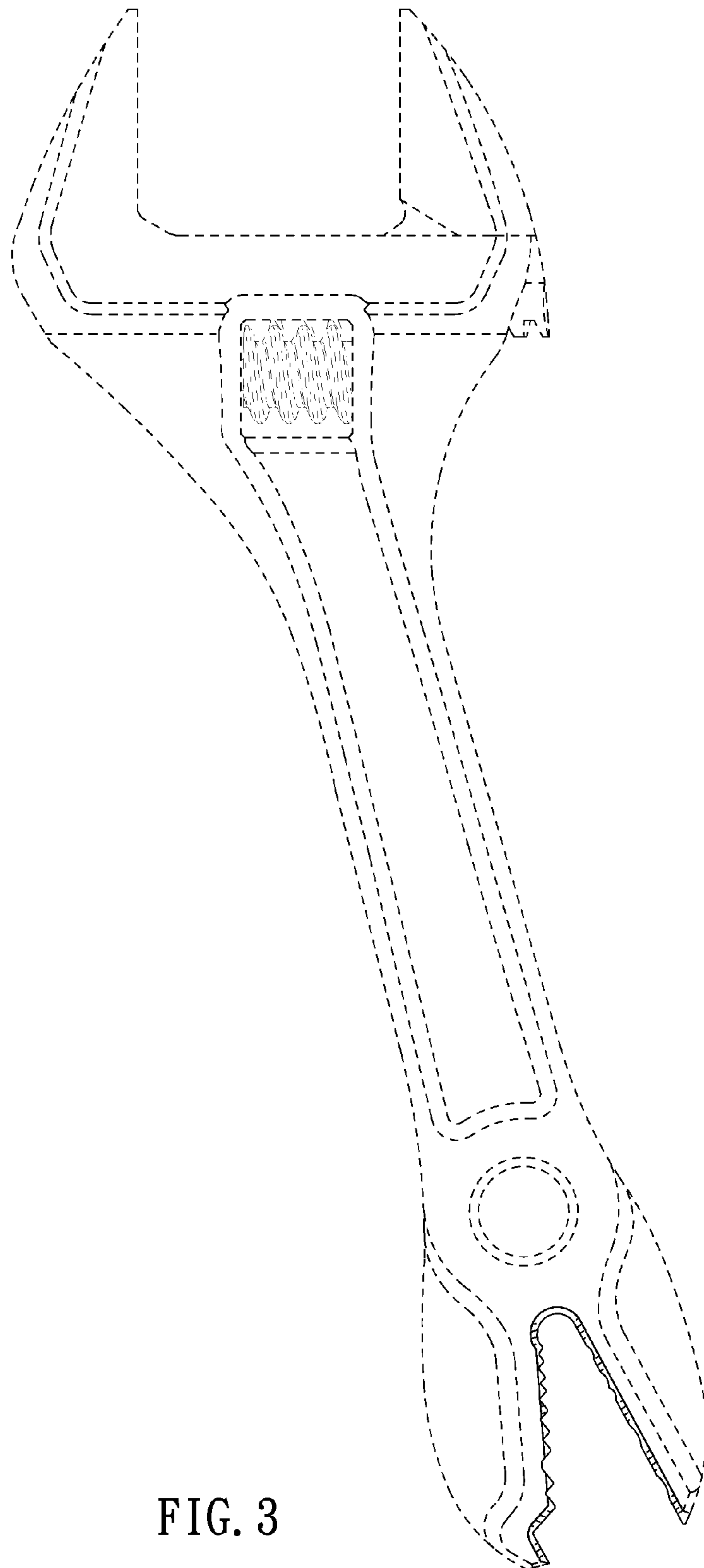


FIG. 3

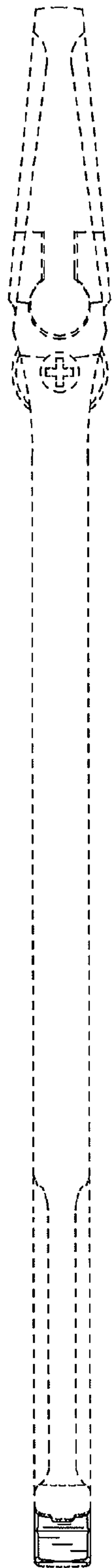


FIG. 4



FIG. 5

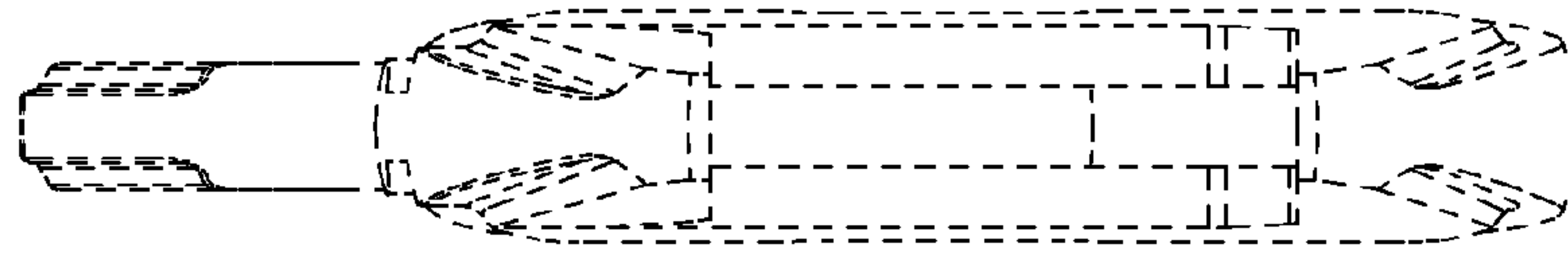


FIG. 6

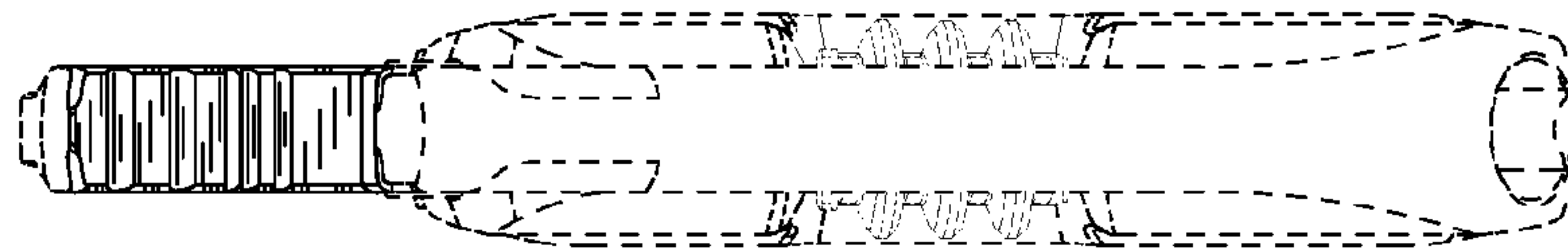


FIG. 7

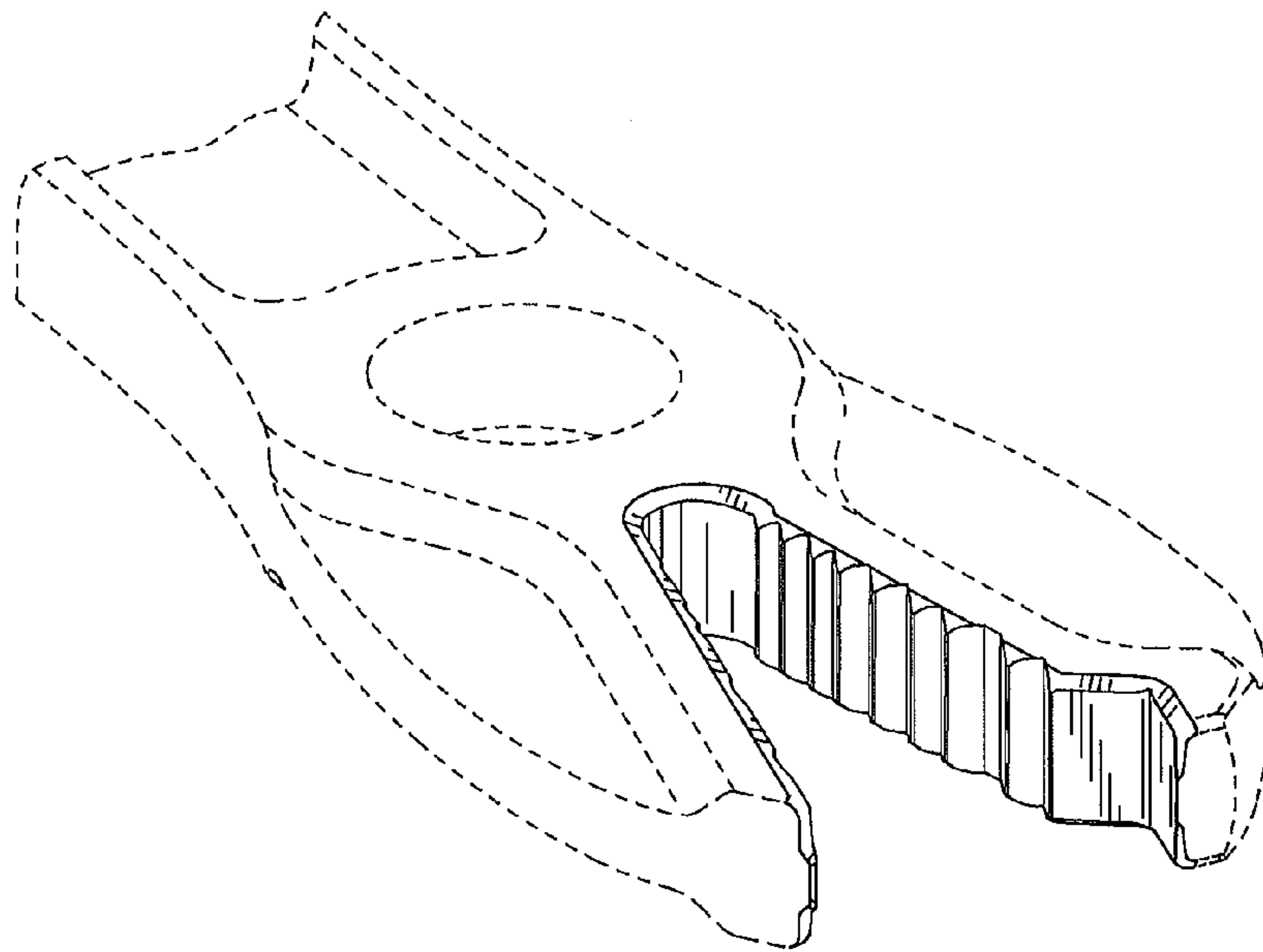


FIG. 8

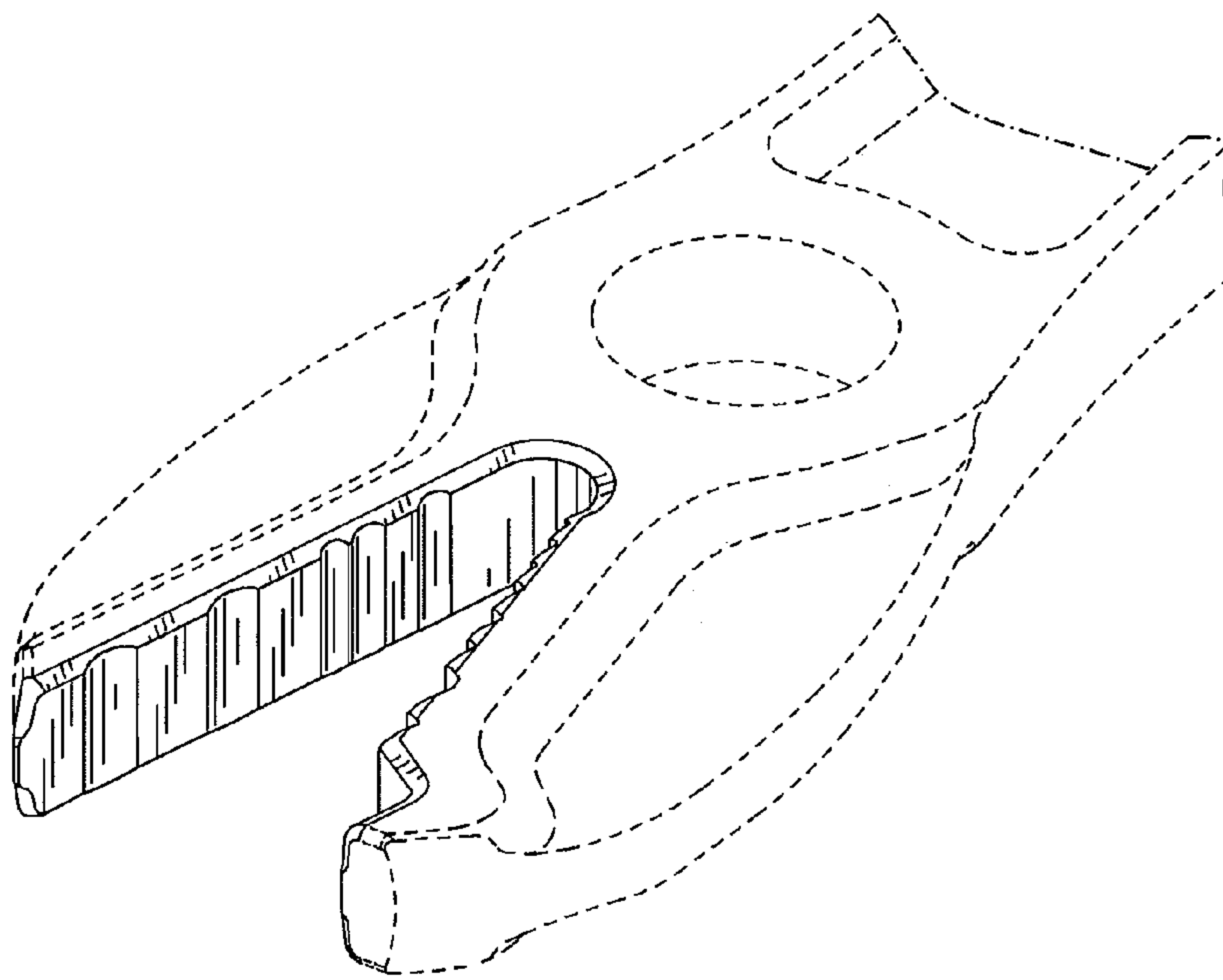


FIG. 9

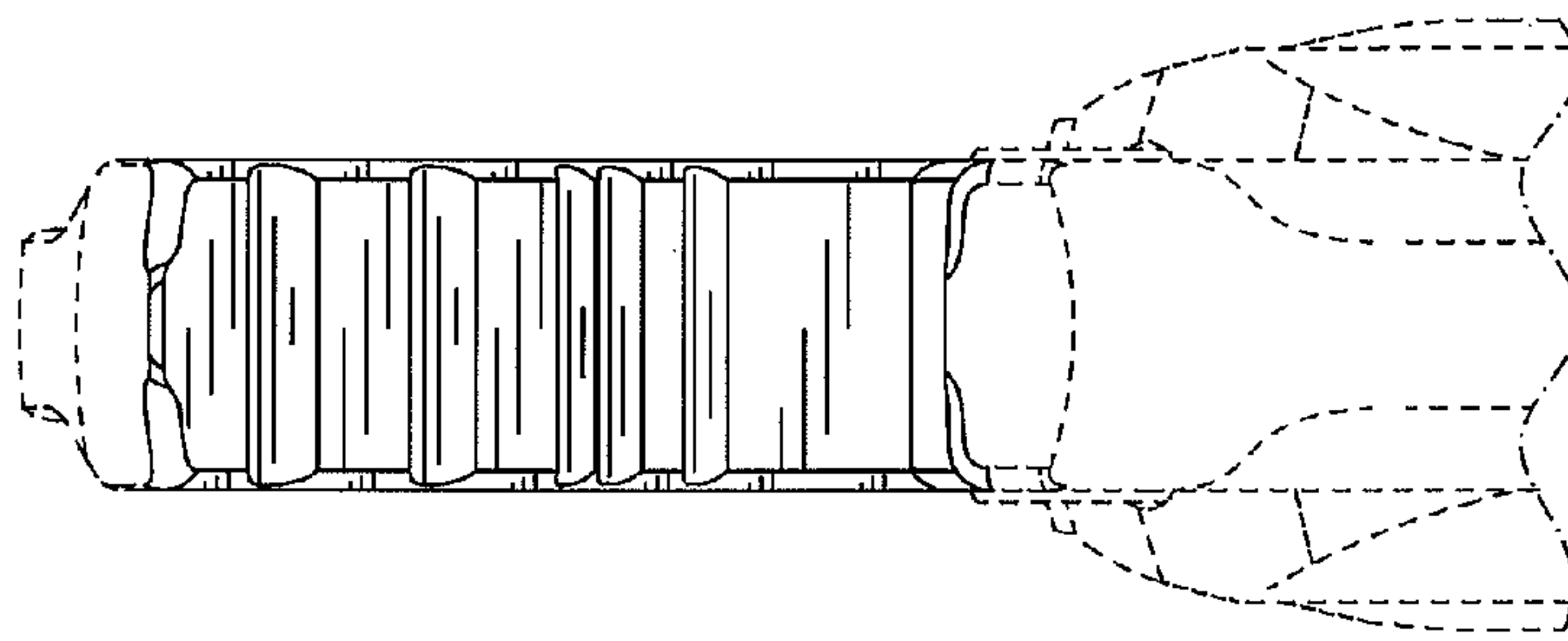


FIG. 10