



US00D710163S

(12) **United States Design Patent**
Reel

(10) **Patent No.:** **US D710,163 S**
(45) **Date of Patent:** **** Aug. 5, 2014**

- (54) **CUTTING BLADE FOR WALL TRIMMER**
- (71) Applicant: **Terry Reel**, Whitesboro, TX (US)
- (72) Inventor: **Terry Reel**, Whitesboro, TX (US)
- (73) Assignee: **Terry Reel**, Whitesboro, TX (US)
- (**) Term: **14 Years**
- (21) Appl. No.: **29/448,661**
- (22) Filed: **Mar. 13, 2013**
- (51) **LOC (10) Cl.** **08-03**
- (52) **U.S. Cl.**
USPC **D8/20**
- (58) **Field of Classification Search**
USPC 30/142, 144, 165, 166.3, 272.1, 314,
30/320, 346, 346.5, 346.55, 346.56, 349,
30/351, 355, 356, 357; D8/16, 19, 20, 64,
D8/95, 99; D22/118; D24/146; 7/118, 148
See application file for complete search history.

- 2011/0094112 A1* 4/2011 Patterson 30/355
- 2012/0204352 A1* 8/2012 Hanson 7/115
- 2013/0298409 A1* 11/2013 Jacobs et al. 30/314
- 2014/0041239 A1* 2/2014 Scimone et al. 30/346.53

* cited by examiner

Primary Examiner — Deanna L Pratt
Assistant Examiner — Ieisha Price
(74) *Attorney, Agent, or Firm* — Howison & Arnott, L.L.P.

(57) **CLAIM**
The ornamental design for a cutting blade for wall trimmer, as shown and described.

DESCRIPTION

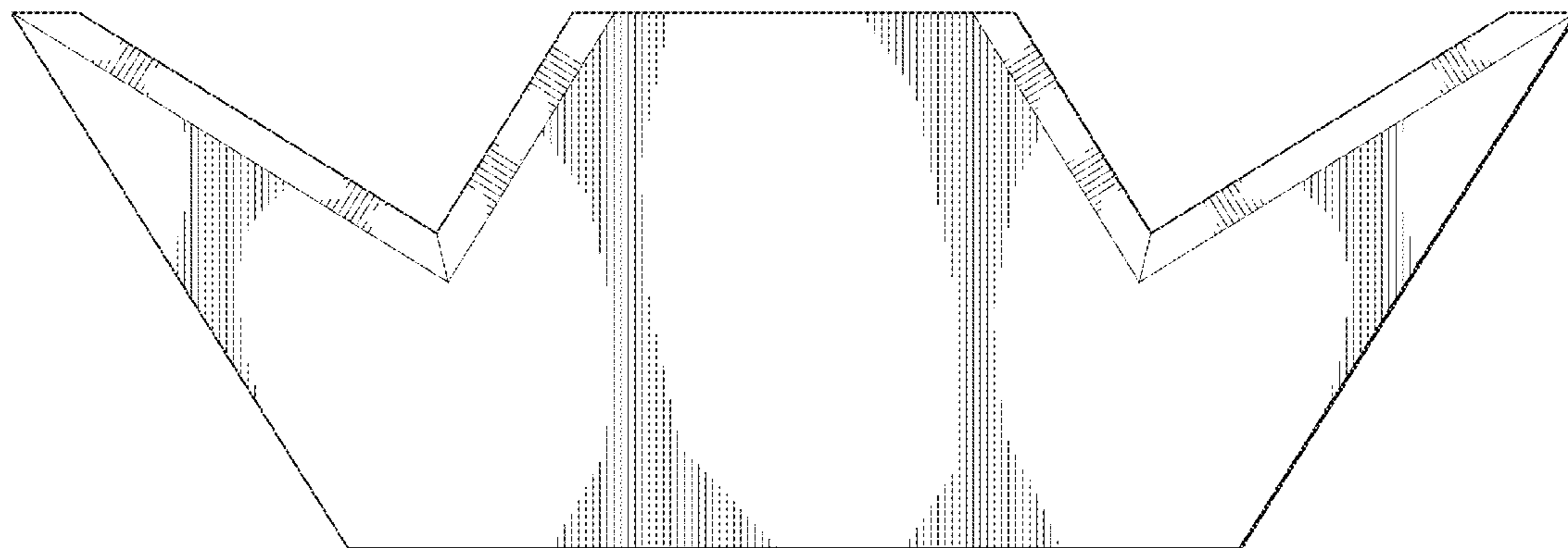
FIG. 1 is a front perspective view of a cutting blade for wall trimmer showing my new design;
FIG. 2 is a front view thereof;
FIG. 3 is a rear view thereof;
FIG. 4 is a right side view thereof;
FIG. 5 is a left side view thereof;
FIG. 6 is a top view thereof;
FIG. 7 is a bottom view thereof;
FIG. 8 is a front perspective view of a cutting blade for wall trimmer in accordance with a second embodiment of the design;
FIG. 9 is a front view of the embodiment of FIG. 8;
FIG. 10 is a rear view of the embodiment of FIG. 8;
FIG. 11 is a right side view of the embodiment of FIG. 8;
FIG. 12 is a left side view of the embodiment of FIG. 8;
FIG. 13 is a top view of the embodiment of FIG. 8; and,
FIG. 14 is a bottom view of the embodiment of FIG. 8.

(56) **References Cited**

U.S. PATENT DOCUMENTS

- D163,562 S * 6/1951 Bjork D8/20
- D237,452 S * 11/1975 Hall et al. D8/20
- D242,980 S * 1/1977 Fuller et al. D8/20
- D310,474 S * 9/1990 Bartsch et al. D8/99
- D355,345 S * 2/1995 Drust D8/99
- D400,068 S * 10/1998 Gold D8/20
- D580,241 S * 11/2008 Fraga et al. D8/20
- D603,232 S * 11/2009 Gutowski et al. D8/20
- D605,005 S * 12/2009 Benson D8/20
- 2007/0283572 A1* 12/2007 Saiz 30/272.1

1 Claim, 8 Drawing Sheets



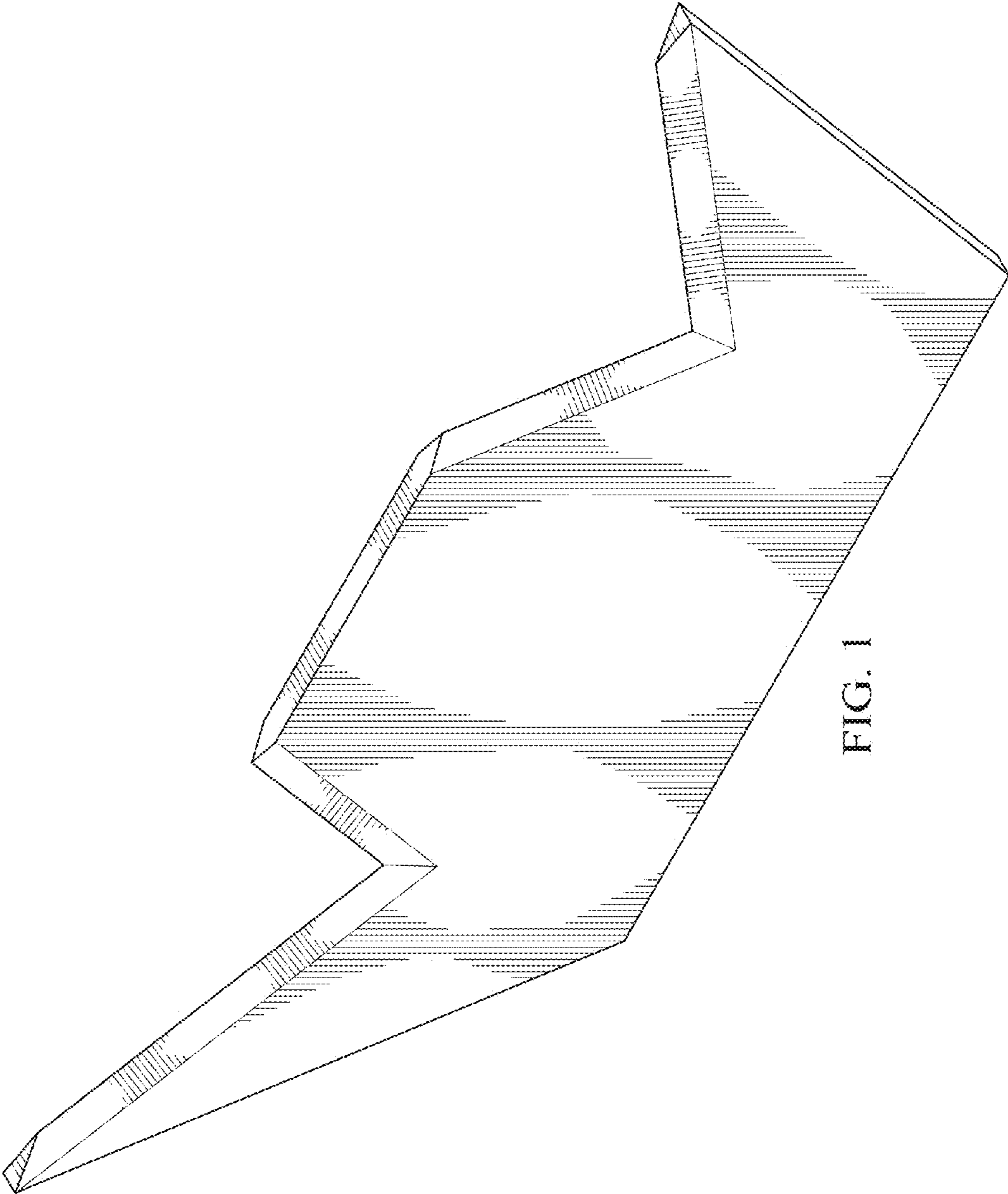


FIG. 1

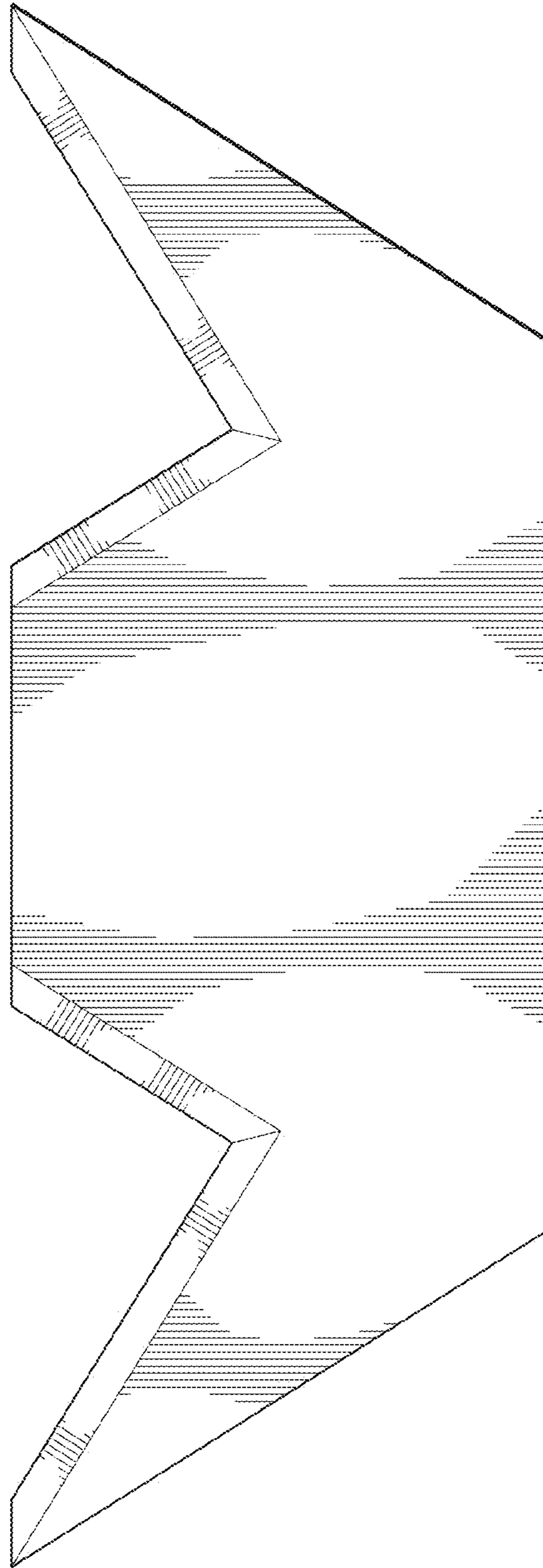


FIG. 2

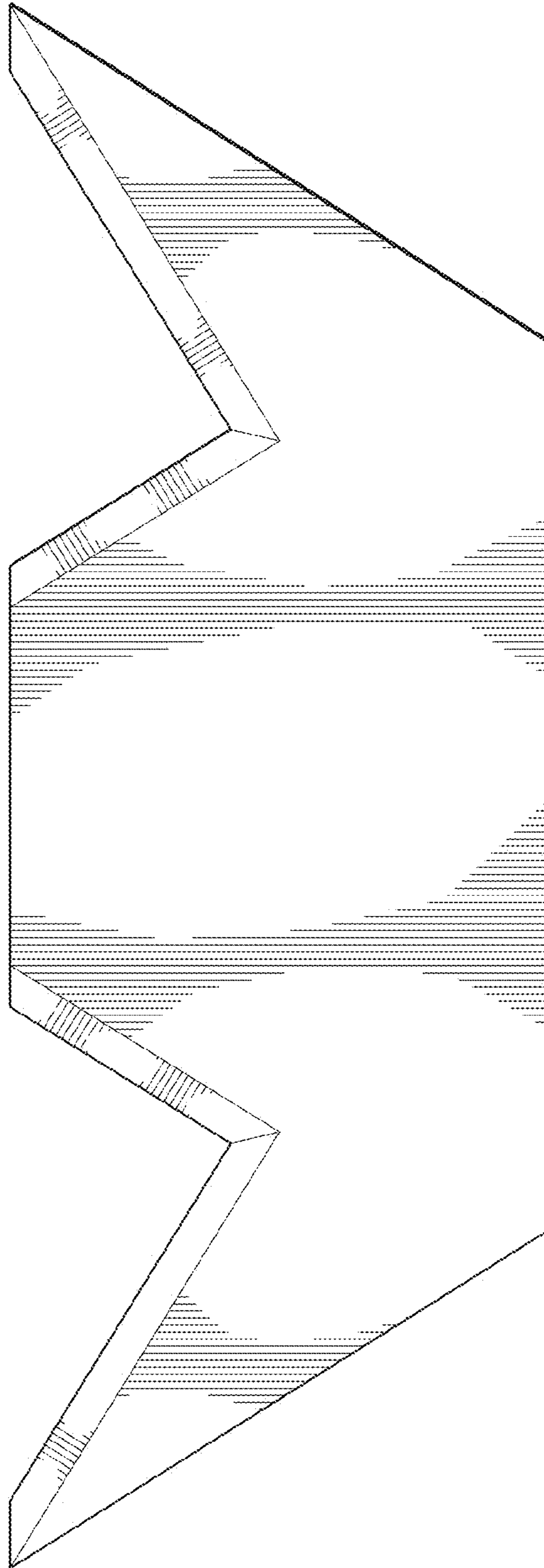


FIG. 3



FIG. 4



FIG. 5



FIG. 6



FIG. 7

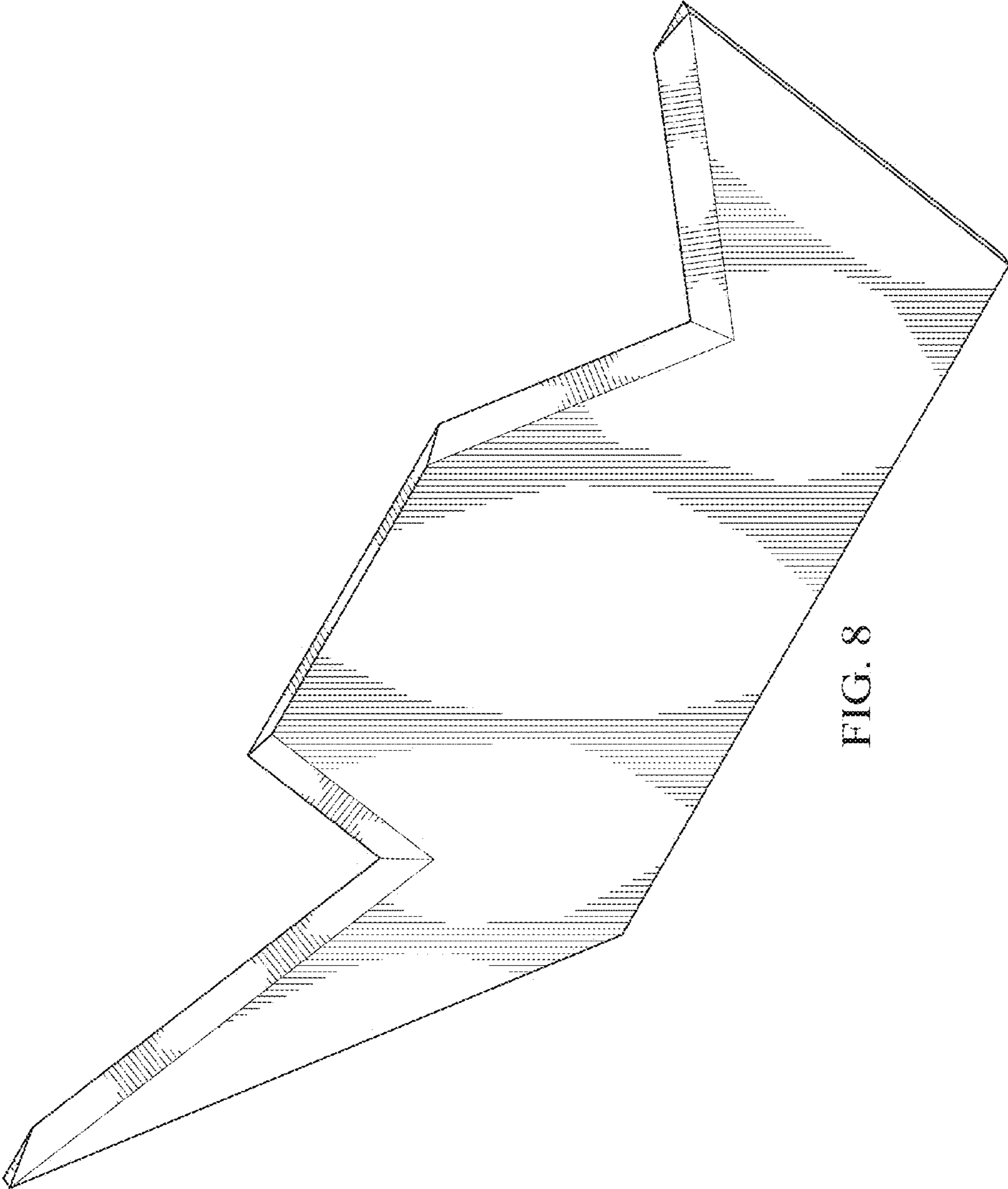


FIG. 8

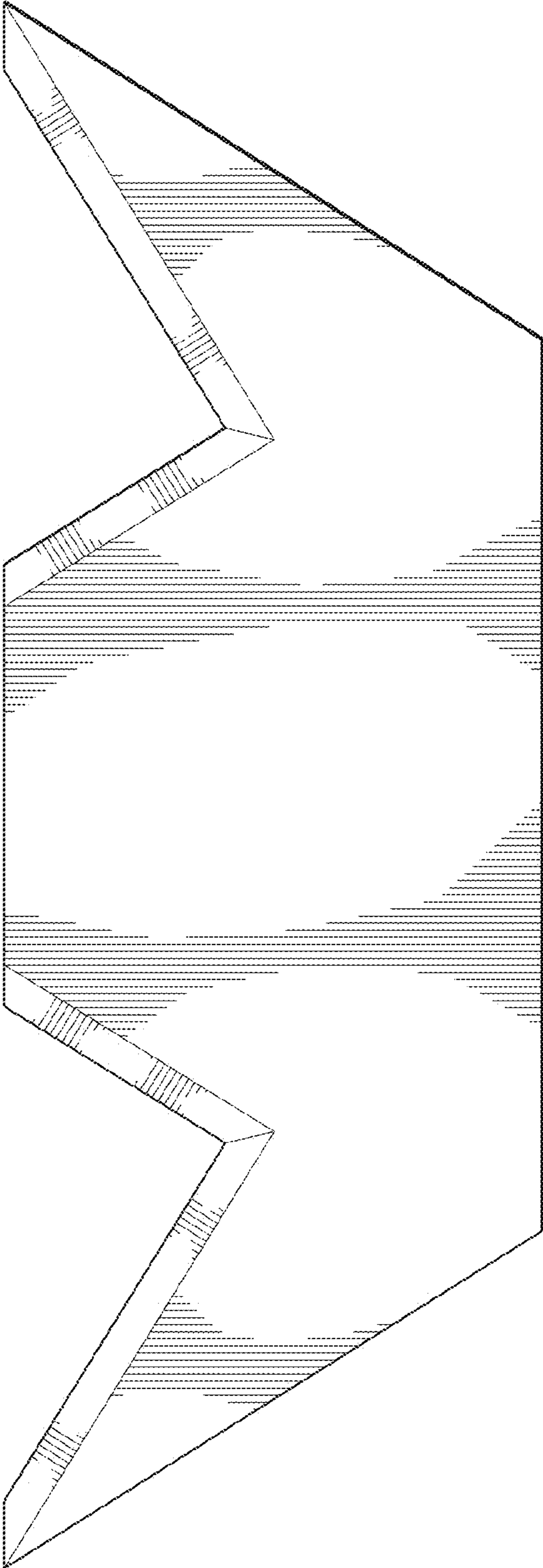


FIG. 9

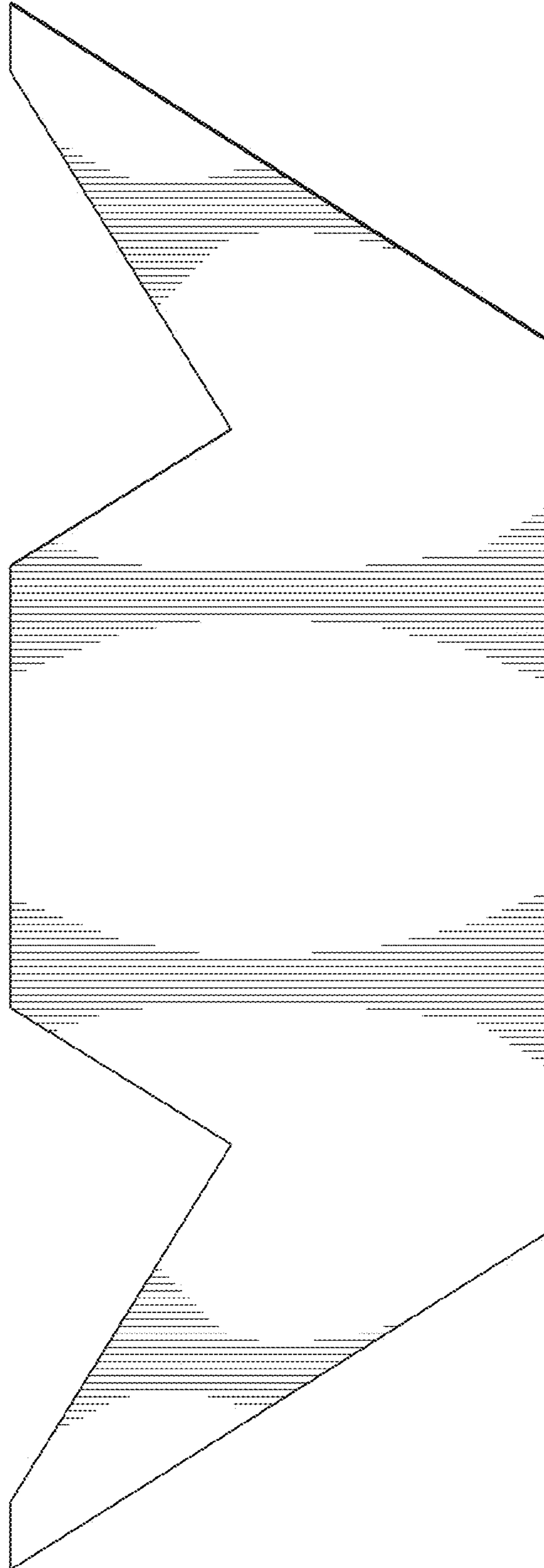


FIG. 10

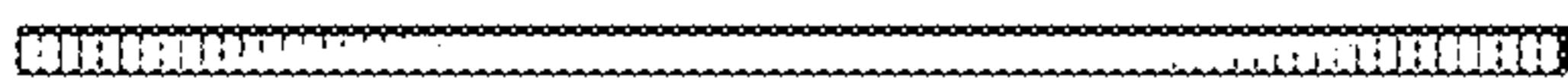


FIG. 11

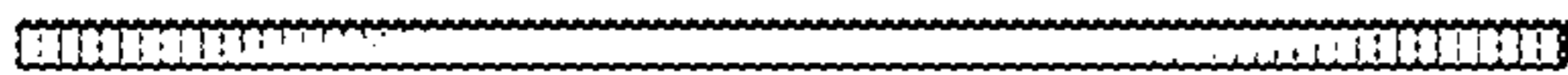


FIG. 12

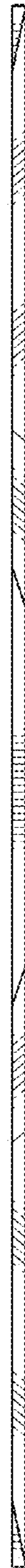


FIG. 13



FIG. 14