



US00D710162S

(12) **United States Design Patent**  
**Sinclair**

(10) **Patent No.:** **US D710,162 S**

(45) **Date of Patent:** **\*\* Aug. 5, 2014**

- (54) **ADJUSTABLE HAND RAKE**
- (71) Applicant: **Richard Sinclair**, Tacoma, WA (US)
- (72) Inventor: **Richard Sinclair**, Tacoma, WA (US)
- (\*\*) Term: **14 Years**
- (21) Appl. No.: **29/471,908**
- (22) Filed: **Nov. 6, 2013**
- (51) **LOC (10) Cl.** ..... **08-01**
- (52) **U.S. Cl.**  
USPC ..... **D8/13**
- (58) **Field of Classification Search**  
CPC ..... A01D 7/00; A01D 7/02; A01D 7/06;  
A01D 7/10; A01D 9/00; A01D 9/04; A01D  
9/06  
USPC ..... D8/1, 13; 56/400.01, 400.04, 400.19,  
56/400.21  
See application file for complete search history.

- 3,744,229 A \* 7/1973 Bull ..... 56/400.17
- 3,750,379 A \* 8/1973 Huspen ..... 56/400.18
- D279,349 S \* 6/1985 Clivio et al. .... D8/13
- D282,900 S \* 3/1986 Salvato ..... D8/13
- 5,901,540 A \* 5/1999 Vella ..... 56/400.12
- D507,944 S \* 8/2005 Crews ..... D8/13
- D562,650 S \* 2/2008 Thornton et al. .... D8/13
- D571,625 S \* 6/2008 Donald et al. .... D8/13

\* cited by examiner

*Primary Examiner* — Sheryl Lane

(74) *Attorney, Agent, or Firm* — Dean A. Craine

(57) **CLAIM**

The ornamental design for an adjustable hand rake, as shown and described.

**DESCRIPTION**

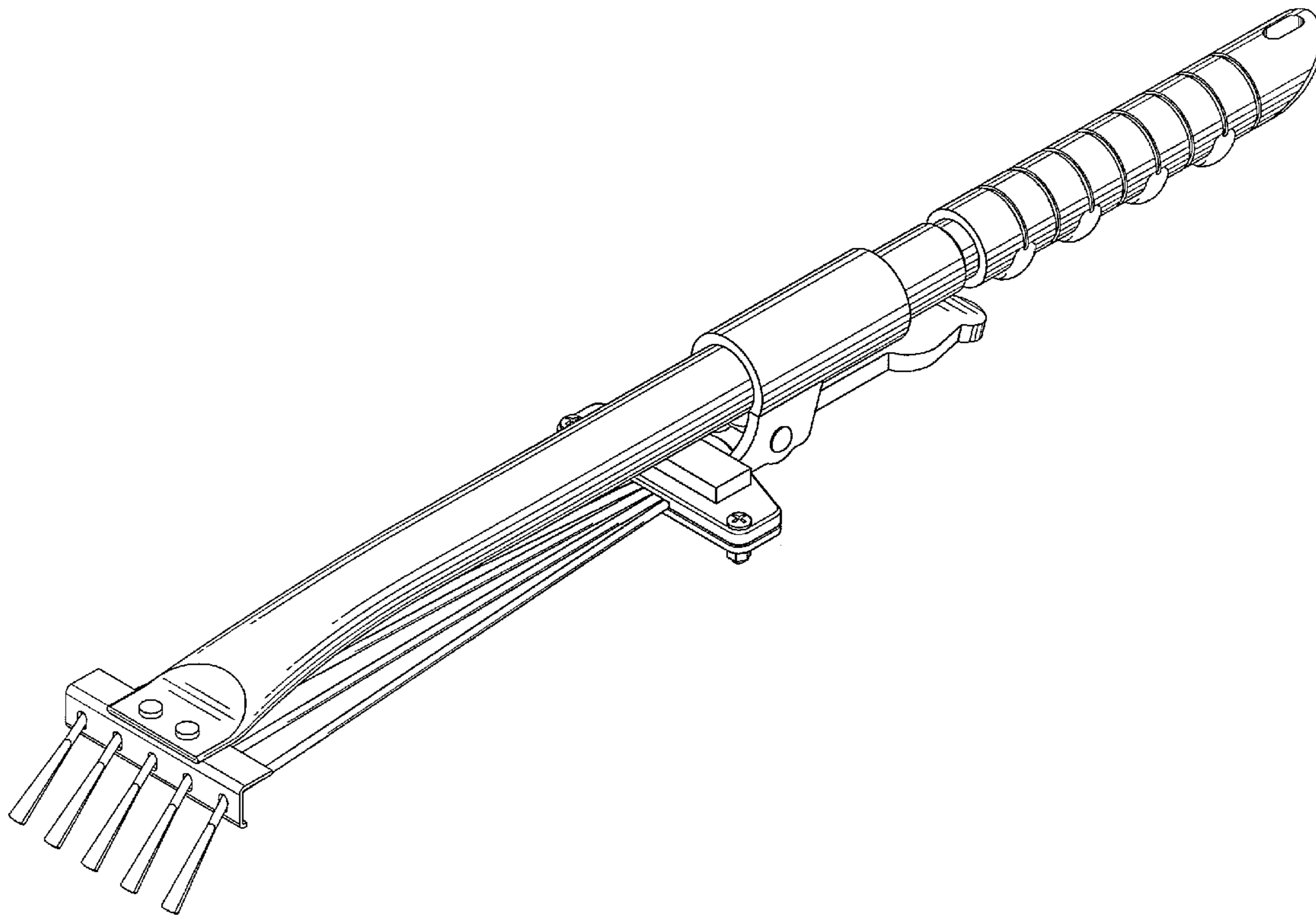
FIG. 1 is a perspective view of an adjustable hand rake.  
FIG. 2 is a right side elevation view of the invention.  
FIG. 3 is a left side elevation view of the invention.  
FIG. 4 is a rear end elevation view of the invention.  
FIG. 5 is a rear end elevation view of the invention.  
FIG. 6 is a top plan view of the invention; and,  
FIG. 7 is a bottom plan view of the invention.

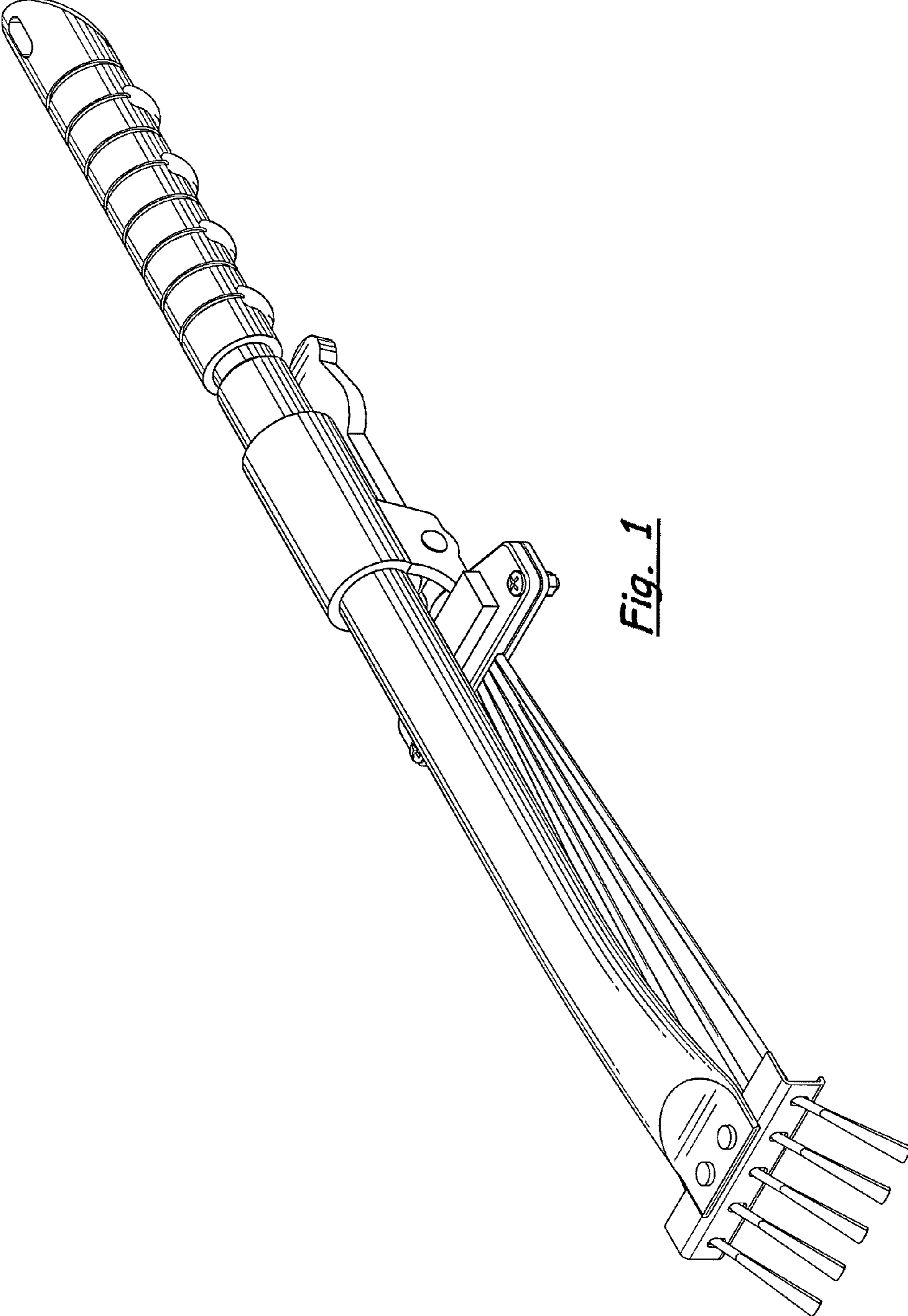
**1 Claim, 3 Drawing Sheets**

(56) **References Cited**

**U.S. PATENT DOCUMENTS**

- 2,603,937 A \* 7/1952 Gundersen et al. .... 56/400.17
- 2,765,613 A \* 10/1956 Melvin ..... 56/400.17





*Fig. 1*

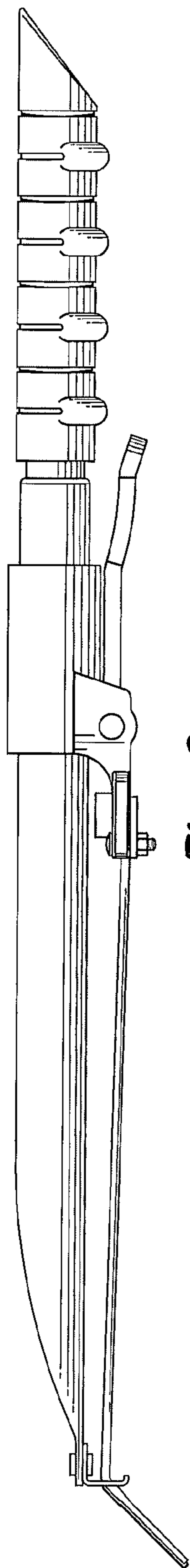


Fig. 2

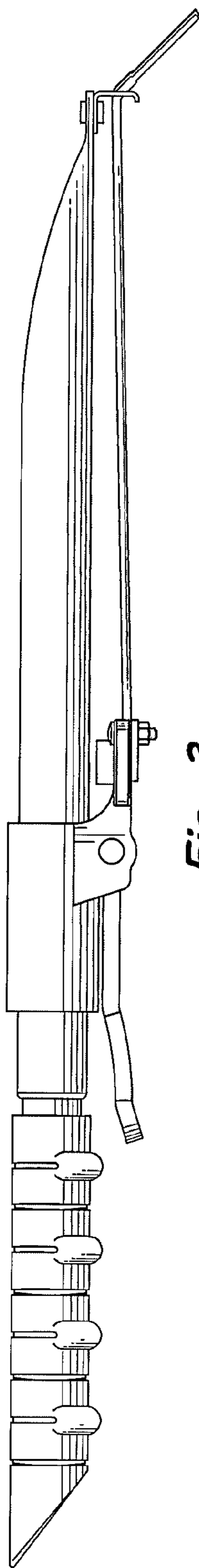


Fig. 3

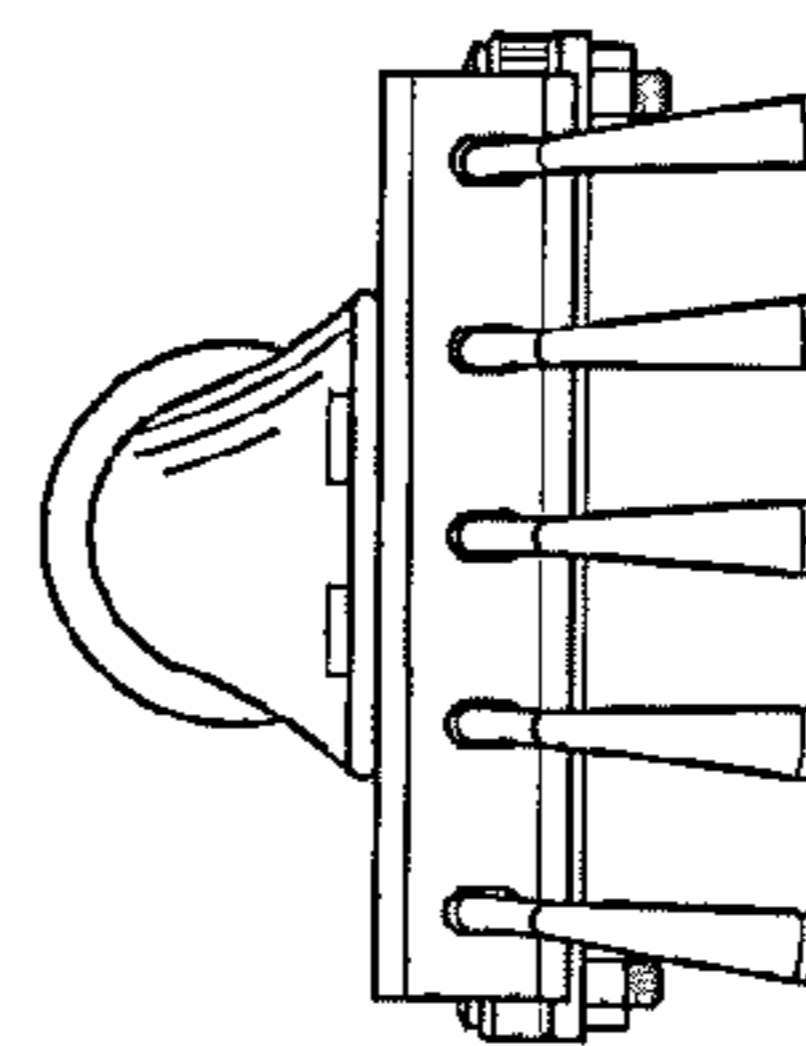


Fig. 4

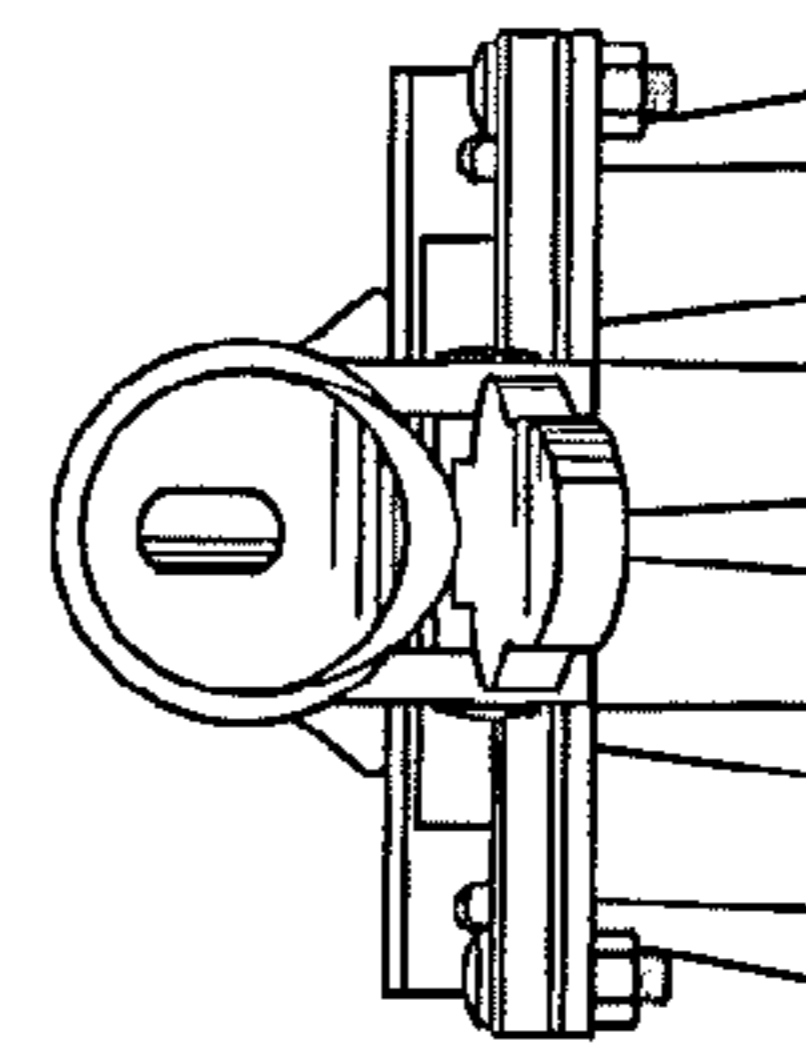
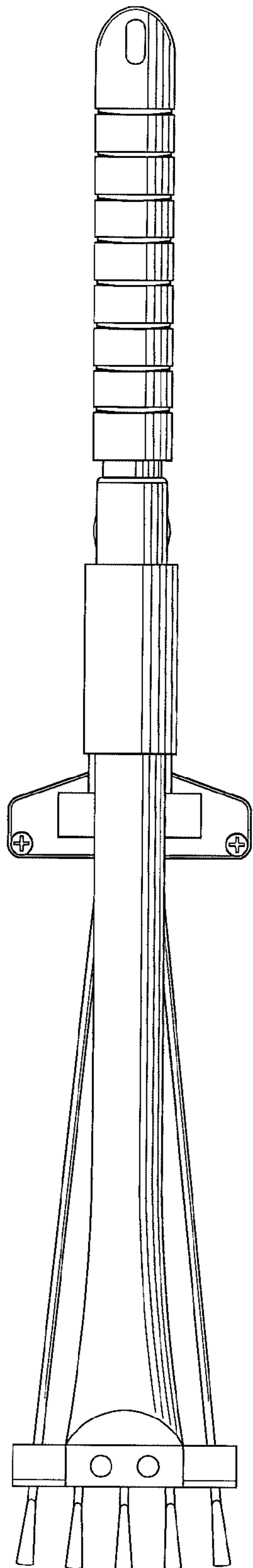
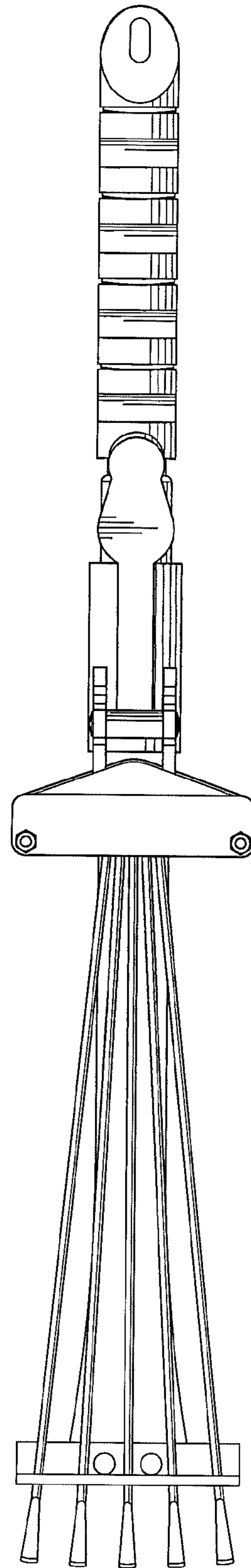


Fig. 5



*Fig. 6*



*Fig. 7*