



US00D710159S

(12) **United States Design Patent**
Platt

(10) **Patent No.:** **US D710,159 S**

(45) **Date of Patent:** **** Aug. 5, 2014**

- (54) **KNIFE**
- (71) Applicant: **James Platt**, Apollo Beach, FL (US)
- (72) Inventor: **James Platt**, Apollo Beach, FL (US)
- (**) Term: **14 Years**
- (21) Appl. No.: **29/468,183**
- (22) Filed: **Sep. 26, 2013**
- (51) **LOC (10) Cl.** **07-03**
- (52) **U.S. Cl.**
USPC **D7/649; D7/401.2**
- (58) **Field of Classification Search**
USPC D7/393-395, 401.2, 642-652, 693,
D7/695-696; D8/93, 97-100, 107, 300,
D8/321; D22/117-118; D28/76; D32/49;
15/105; 30/136, 142, 147-149,
30/286-287, 329, 340-345
See application file for complete search history.

3,241,236 A *	3/1966	Capps	30/287
D235,306 S *	6/1975	Christian	D7/650
D246,281 S *	11/1977	Ferrara, Jr.	D7/649
D283,068 S *	3/1986	Beal	D32/49
D296,577 S *	7/1988	Schandua	D22/118
D346,722 S *	5/1994	Burdick et al.	D7/645
D351,310 S *	10/1994	Burdick et al.	D7/401.2
D352,987 S *	11/1994	Stanley	D22/118
D518,349 S *	4/2006	Francois	D8/98
D641,930 S *	7/2011	Poletto	D28/76

* cited by examiner

Primary Examiner — Ricky Pham

(74) *Attorney, Agent, or Firm* — Lowry Blixseth LLP; Scott M. Lowry

(57) **CLAIM**
The ornamental design for a knife, as shown.

DESCRIPTION

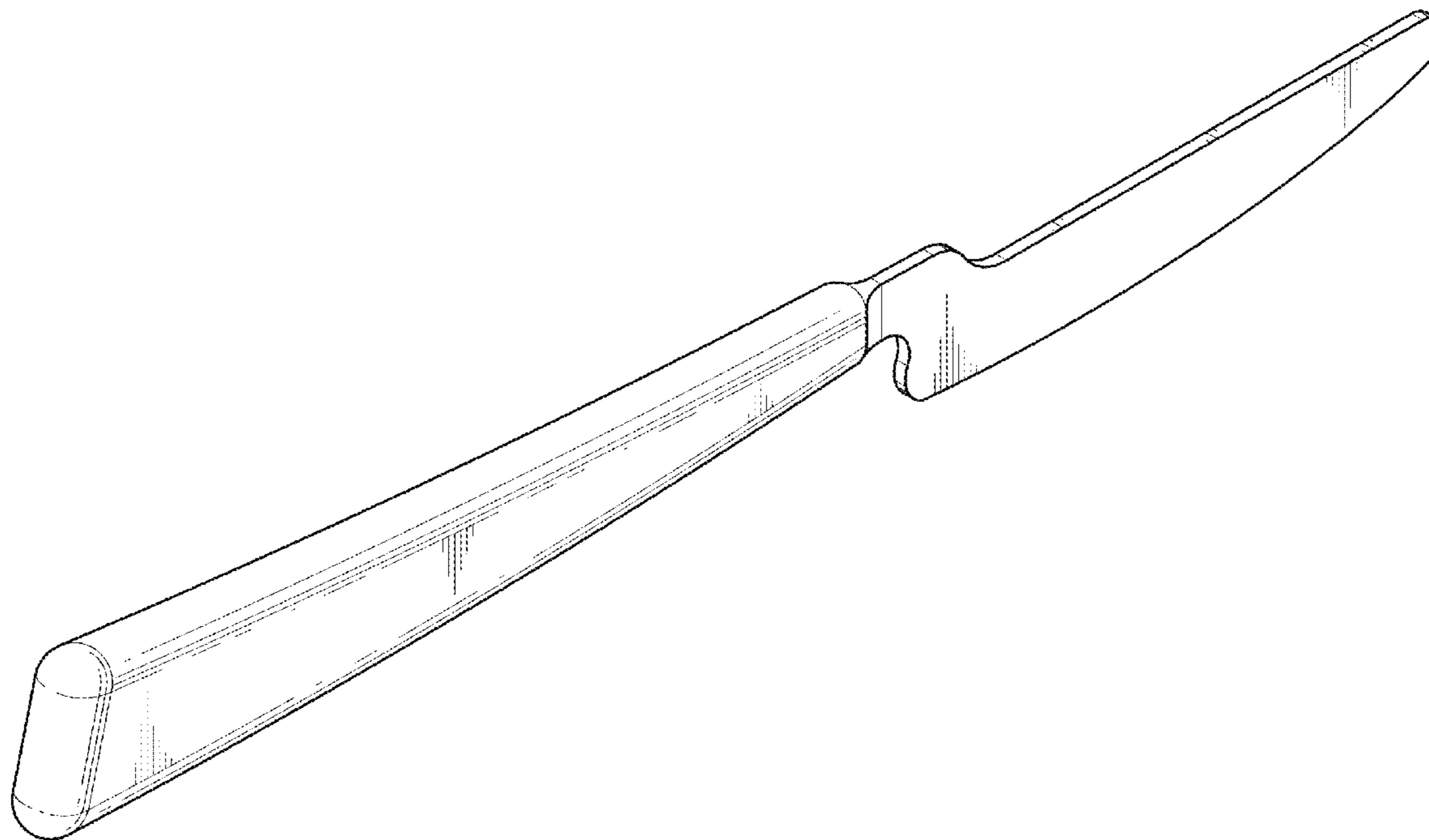
FIG. 1 is a perspective view showing the rear, top and left sides thereof;
 FIG. 2 is a left side elevation view thereof, the right side elevation view being a mirror image thereof;
 FIG. 3 is a rear elevation view thereof;
 FIG. 4 is a front elevation view thereof;
 FIG. 5 is a top plan view thereof; and,
 FIG. 6 is a bottom plan view thereof.

1 Claim, 3 Drawing Sheets

(56) **References Cited**

U.S. PATENT DOCUMENTS

1,546,975 A *	7/1925	Feller	30/286
D186,313 S *	10/1959	Hill	D22/118
3,080,593 A *	3/1963	Wilson	15/105



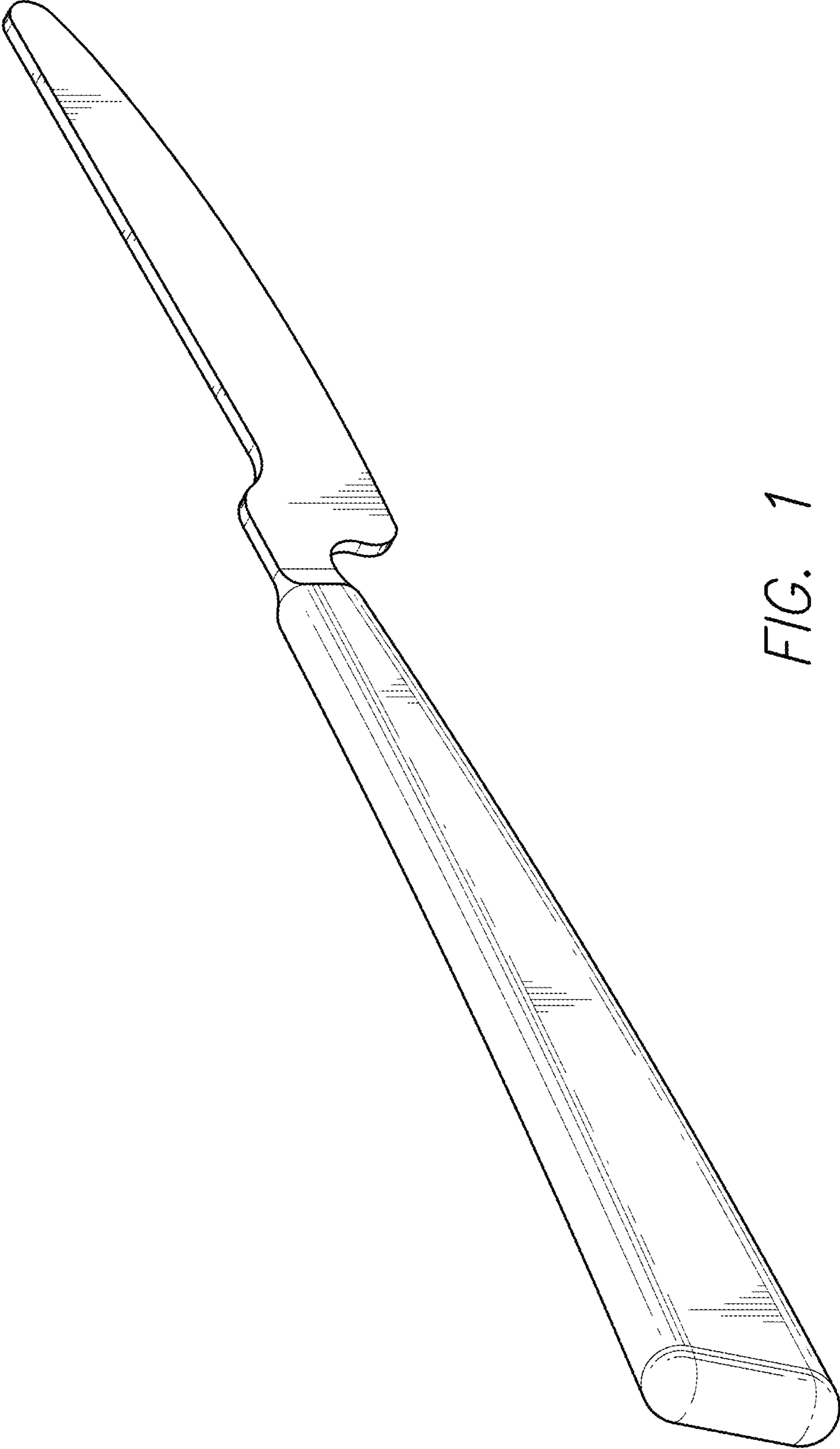


FIG. 1

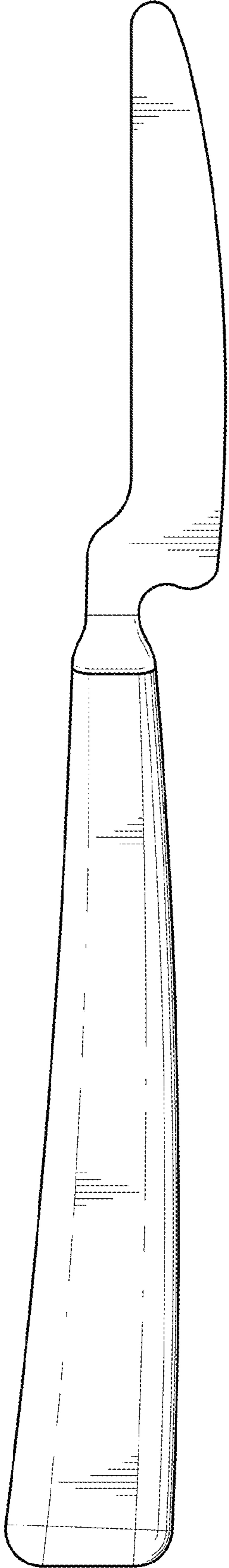


FIG. 2

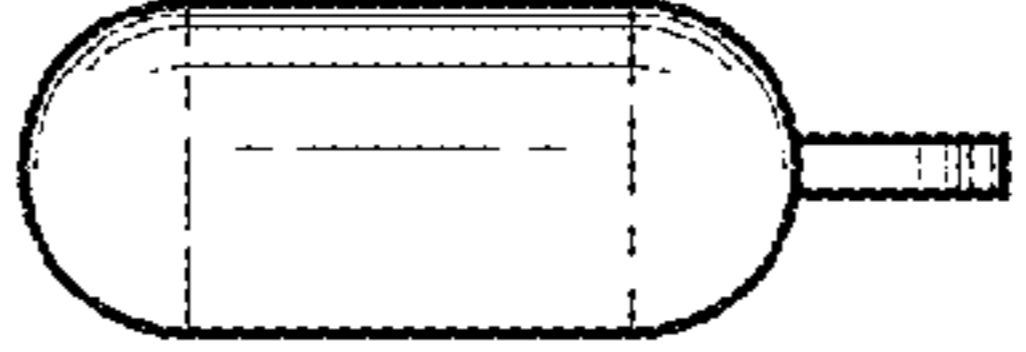


FIG. 3



FIG. 4

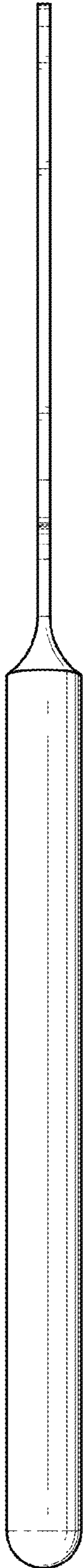


FIG. 5

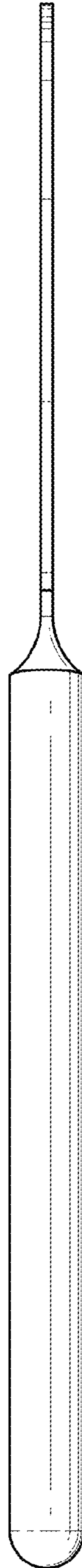


FIG. 6