



US00D710156S

(12) **United States Design Patent**
Wagner

(10) **Patent No.:** **US D710,156 S**

(45) **Date of Patent:** **** Aug. 5, 2014**

(54) **CUPCAKE POD**

(71) Applicant: **Alison Wagner**, Cold Spring Harbor, NY (US)

(72) Inventor: **Alison Wagner**, Cold Spring Harbor, NY (US)

(73) Assignee: **Alison Wagner**, Cold Spring Harbor, NY (US)

(**) Term: **14 Years**

(21) Appl. No.: **29/453,340**

(22) Filed: **Apr. 29, 2013**

(51) **LOC (10) Cl.** **07-07**

(52) **U.S. Cl.**
USPC **D7/610**

(58) **Field of Classification Search**
CPC A45C 11/20
USPC D7/610, 629, 709; D9/414, 424-429;
206/551, 754, 755, 804, 817; 229/906
See application file for complete search history.

(56) **References Cited**

U.S. PATENT DOCUMENTS

4,179,040 A * 12/1979 Bateman et al. 220/660
D312,400 S * 11/1990 Schwaikert D9/424

D625,151 S * 10/2010 Matthews D7/610
D658,014 S * 4/2012 Miga, Jr. D7/629
D666,460 S * 9/2012 Kolano D7/628
D672,231 S * 12/2012 Snedden et al. D9/424
2007/0172556 A1 * 7/2007 Berrysmith 426/106

* cited by examiner

Primary Examiner — Terry Wallace

(74) *Attorney, Agent, or Firm* — Limin Wen

(57) **CLAIM**

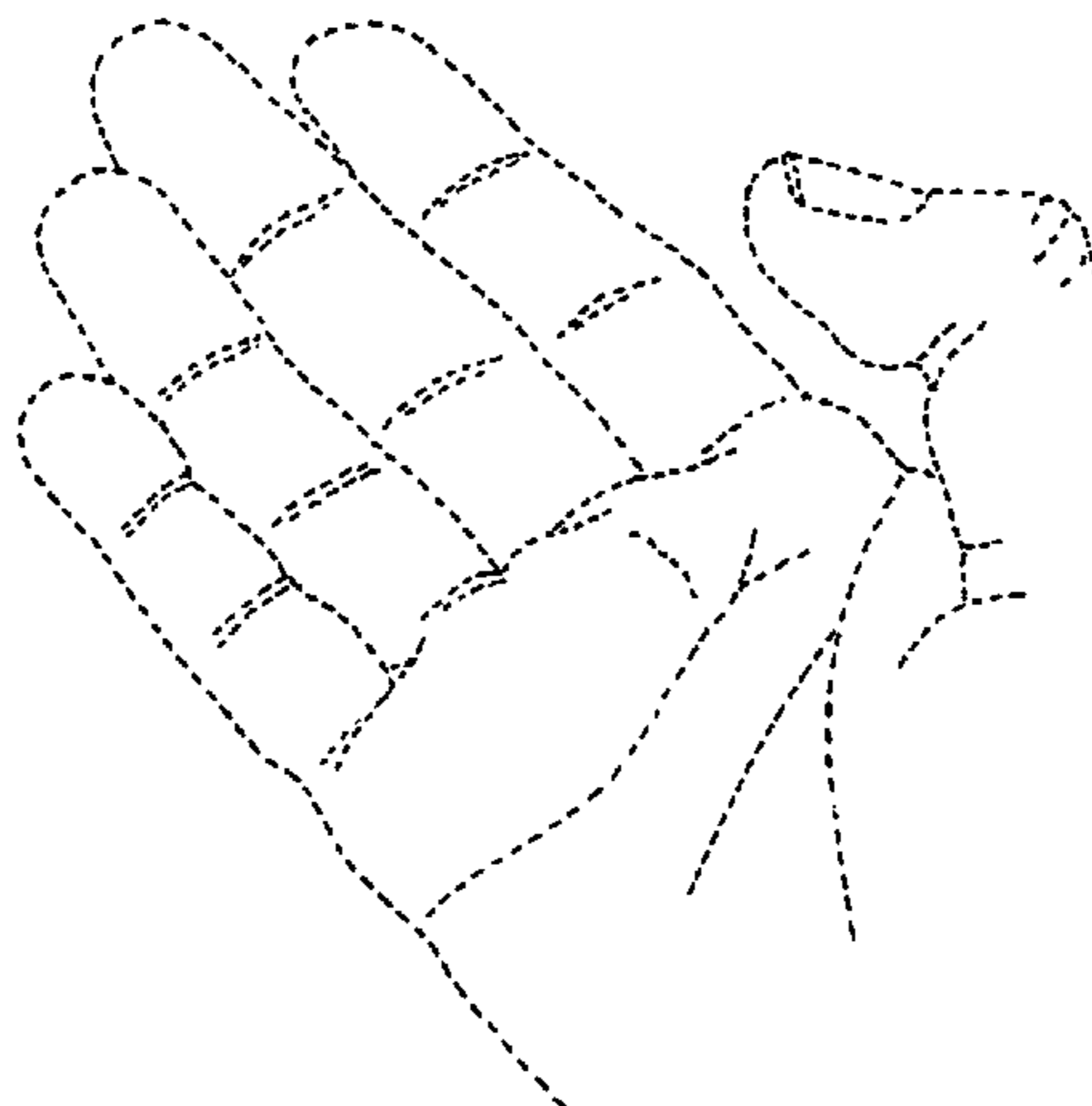
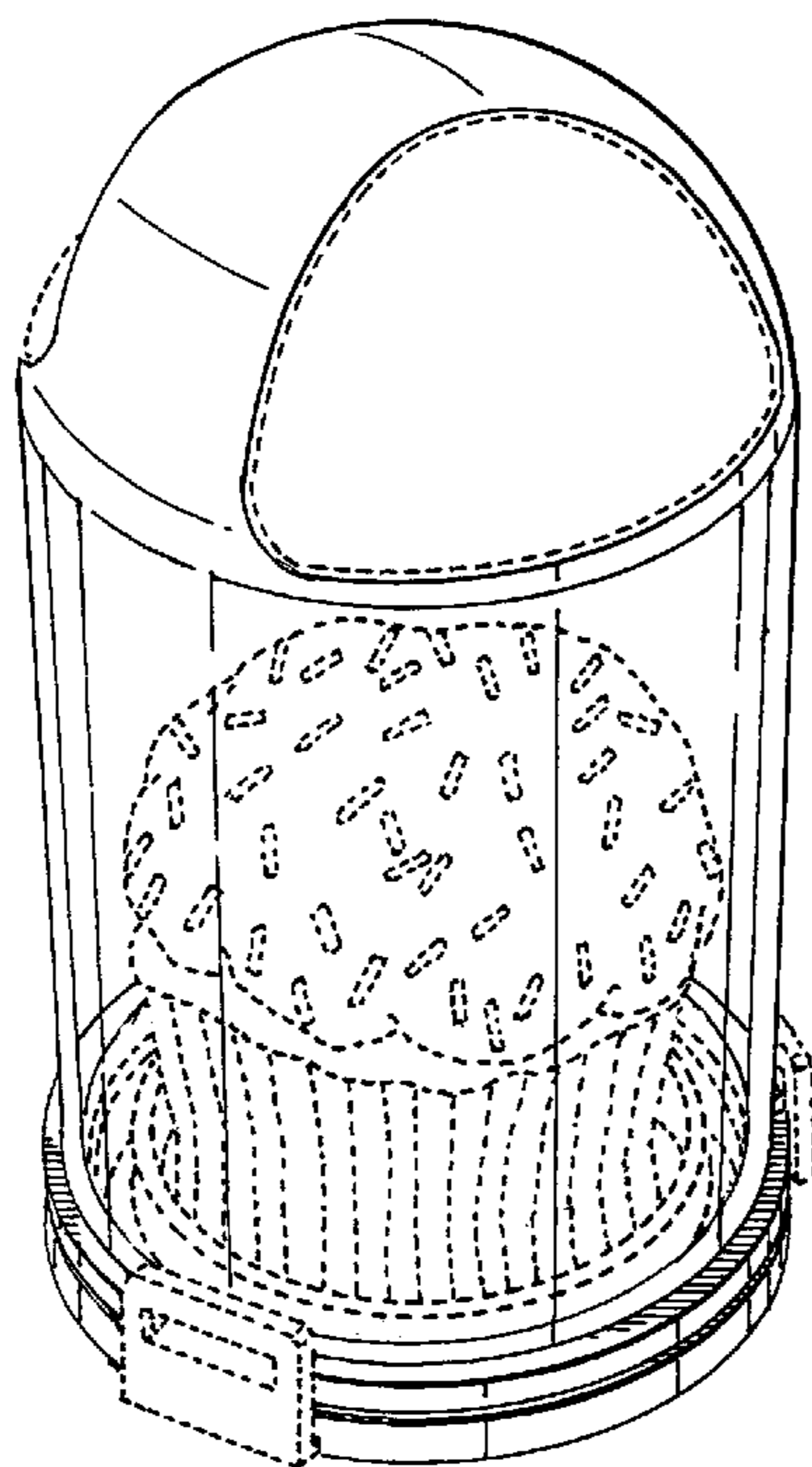
The ornamental design for the cupcake pod, as shown and described.

DESCRIPTION

FIG. 1 is a perspective view of a cupcake pod showing my new design;
FIG. 2 is a handle-facing side elevational view of the cupcake pod;
FIG. 3 is a top view of the cupcake pod;
FIG. 4 is a not-handle-facing side elevational view of the cupcake pod;
FIG. 5 is a bottom view of the cupcake pod; and,
FIG. 6 is a perspective view of the cupcake pod in separation view of a cylinder shaped container part, a bottom lid part, and a cupcake.

The broken lines are for illustrative purposes only and form no part of the claimed design.

1 Claim, 4 Drawing Sheets



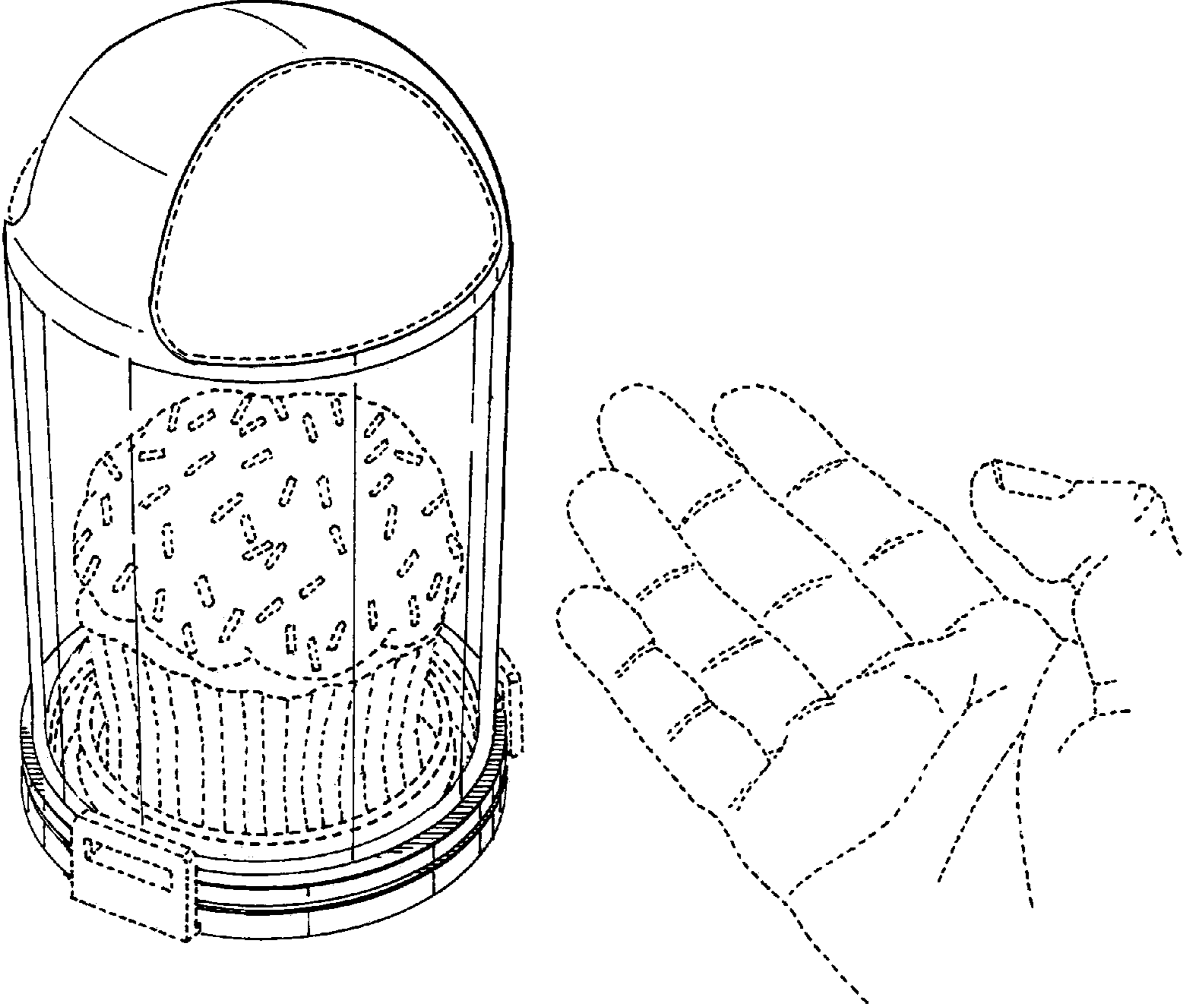


Fig. 1

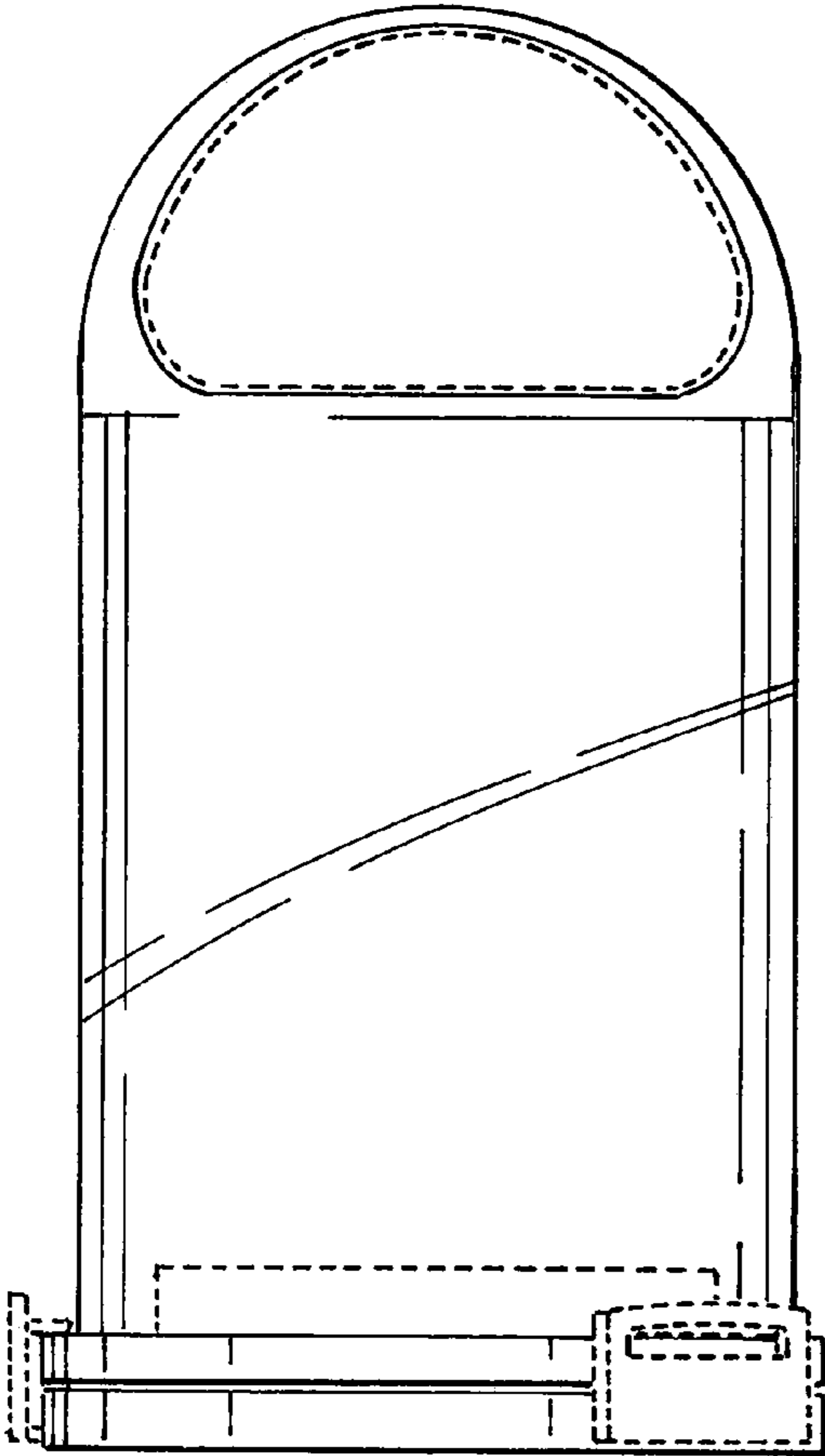


Fig. 2

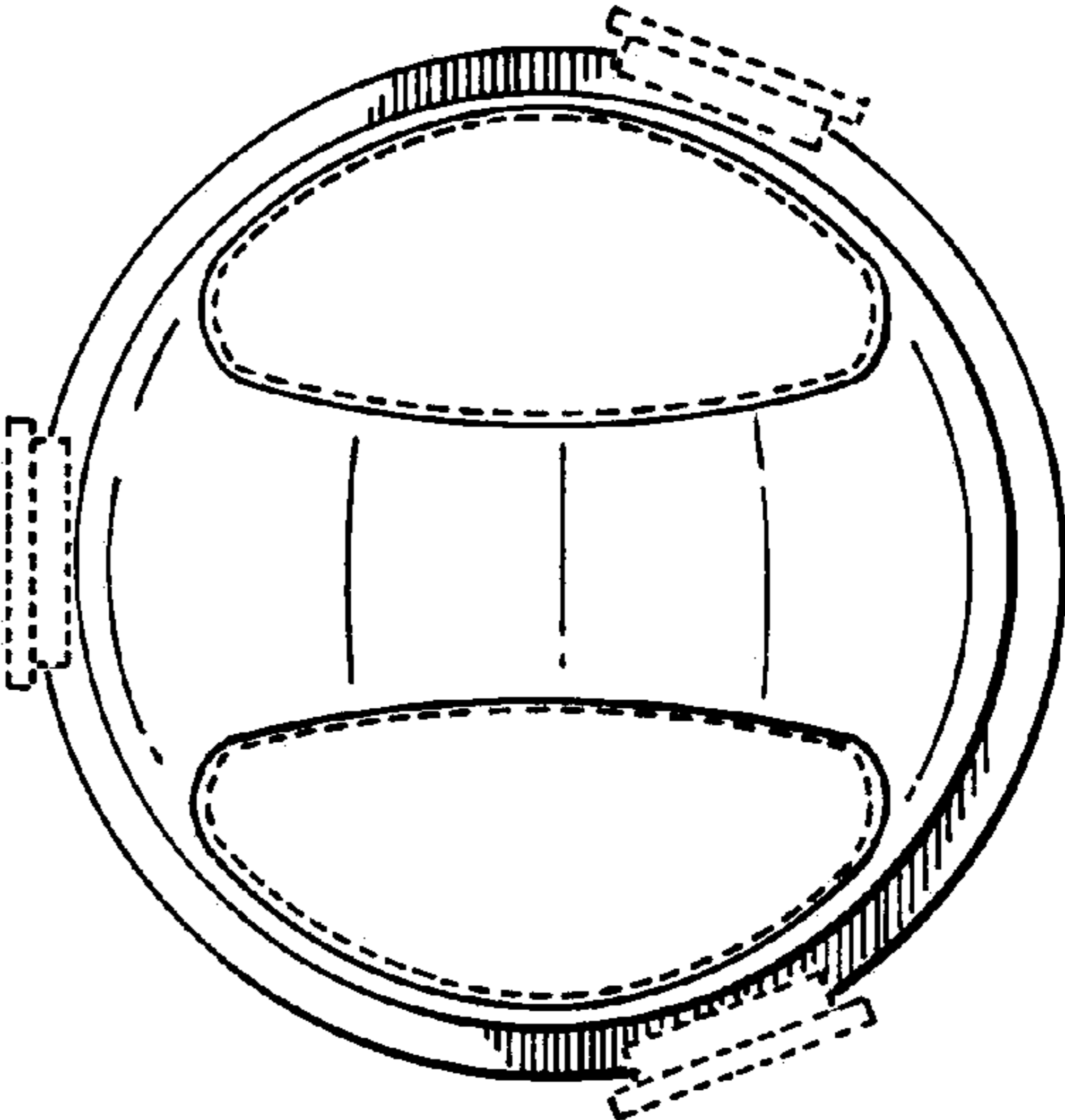


Fig. 3

Fig. 4

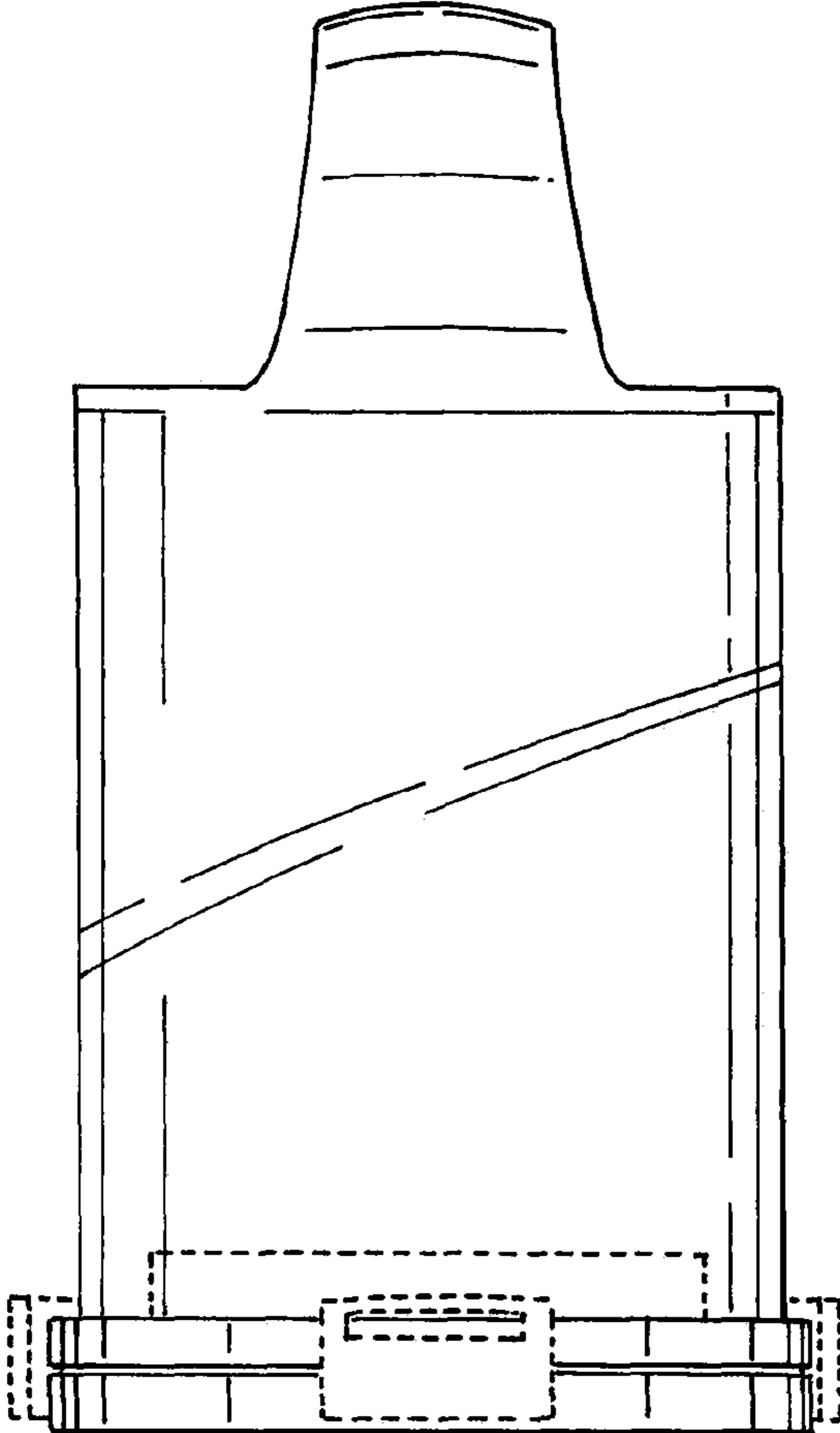
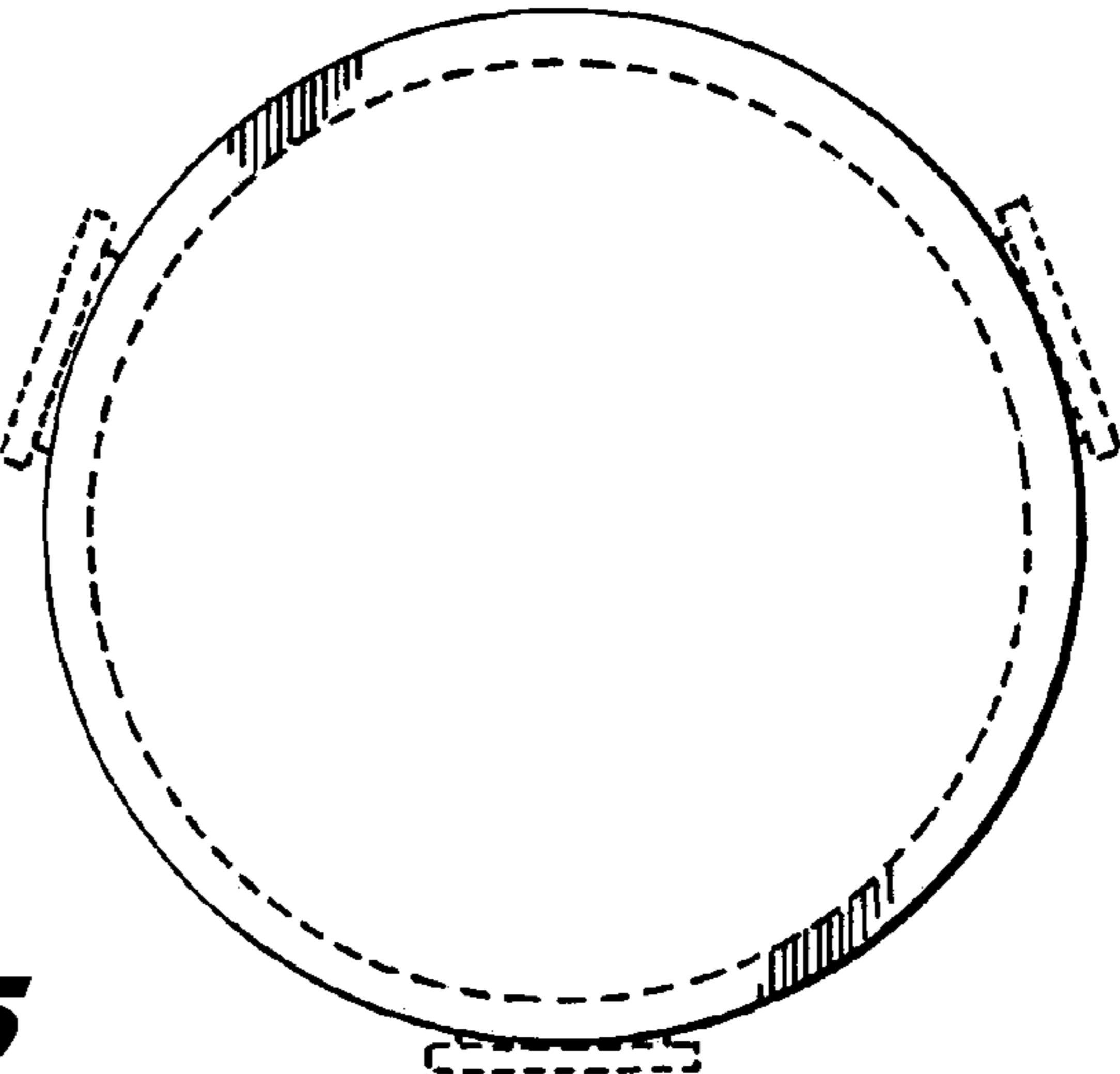


Fig. 5



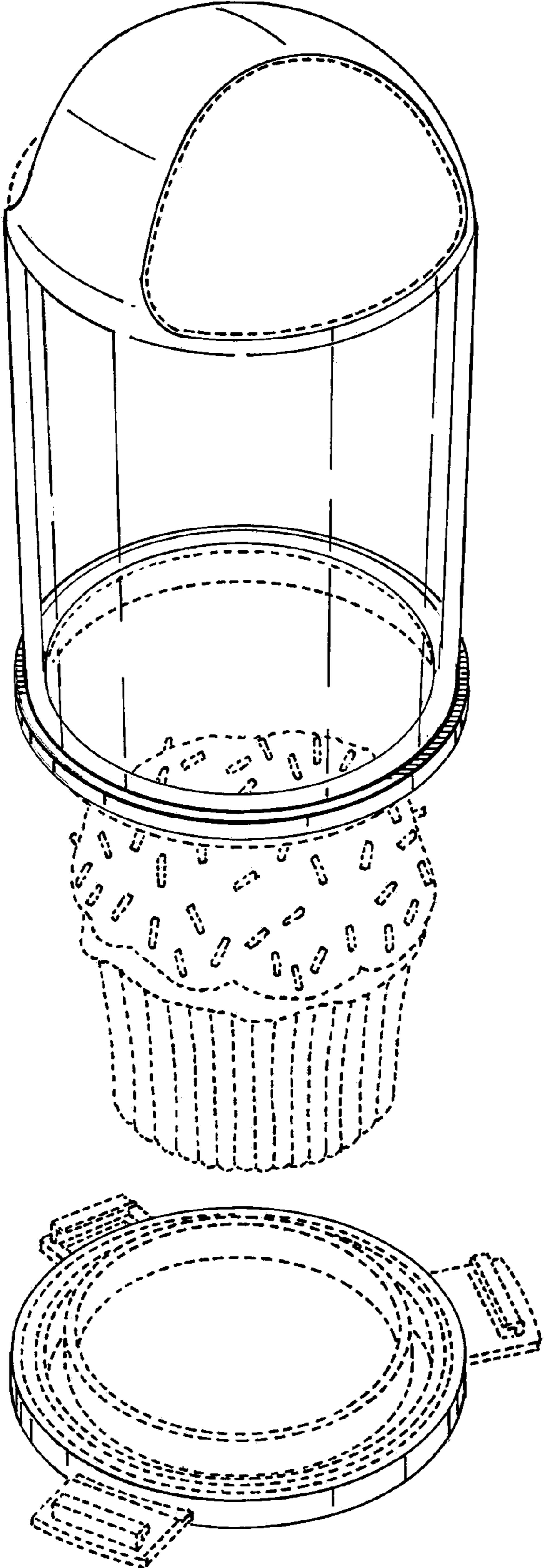


Fig. 6