



US00D710155S

(12) **United States Design Patent**  
**Tatsukawa**

(10) **Patent No.:** **US D710,155 S**  
(45) **Date of Patent:** **\*\* Aug. 5, 2014**

(54) **HEAT-INSULATING CONTAINER**  
(71) Applicant: **Zojirushi Corporation**, Osaka (JP)  
(72) Inventor: **Naoko Tatsukawa**, Osaka (JP)  
(73) Assignee: **Zojirushi Corporation** (JP)

D592,909 S \* 5/2009 Alviar et al. .... D7/510  
D622,554 S \* 8/2010 Carreno ..... D7/629  
D629,657 S \* 12/2010 Carreno ..... D7/629  
D643,694 S \* 8/2011 Lu ..... D7/629  
D651,050 S \* 12/2011 Goshi ..... D7/608

(\*\*) Term: **14 Years**  
(21) Appl. No.: **29/472,418**  
(22) Filed: **Nov. 12, 2013**

**FOREIGN PATENT DOCUMENTS**

JP 1184590 9/2003  
JP 1185045 9/2003  
JP 1393263 7/2010  
JP 1411021 4/2011  
JP 1432144 1/2012  
JP 1449948 9/2012

(30) **Foreign Application Priority Data**  
May 17, 2013 (JP) ..... 2013-10931

\* cited by examiner

*Primary Examiner* — Terry Wallace

(51) **LOC (10) Cl.** ..... **07-01**  
(52) **U.S. Cl.**

(74) *Attorney, Agent, or Firm* — SAIDMAN DesignLaw Group

USPC ..... **D7/608**  
(58) **Field of Classification Search**  
CPC ..... A47J 41/02  
USPC ..... D7/605–608, 629; D9/500, 502–504,  
D9/516, 529, 549, 552, 556, 558; 215/6,  
215/12.1, 12.2, 13.1; 220/737–741, 592.2,  
220/669–673, 675, 677, 665, 662, 660,  
220/592.16, 592.17, 592.27, 592.21, 915.1,  
220/915.2

(57) **CLAIM**

The ornamental design for a heat-insulating container, as shown and described.

See application file for complete search history.

**DESCRIPTION**

FIG. 1 is a perspective view of a heat-insulating container showing my new design;  
FIG. 2 is a front elevational view thereof;  
FIG. 3 is a rear elevational view thereof;  
FIG. 4 is a left side view thereof;  
FIG. 5 is a right side view thereof;  
FIG. 6 is a top plan view thereof;  
FIG. 7 is a bottom plan view thereof;  
FIG. 8 is a perspective view of an upper closure thereof;  
FIG. 9 is a perspective view of a container body thereof; and,  
FIG. 10 is an exploded perspective view thereof.

(56) **References Cited**  
U.S. PATENT DOCUMENTS

3,982,651 A \* 9/1976 Braun et al. .... 220/4.21  
4,399,926 A \* 8/1983 Eidels-Dubovoy ..... 220/288  
4,474,303 A \* 10/1984 Maccise ..... 220/4.27  
4,537,044 A \* 8/1985 Putnam ..... 62/371  
D474,651 S \* 5/2003 Ward ..... D7/615  
D539,655 S \* 4/2007 Kipperman et al. .... D9/529

**1 Claim, 5 Drawing Sheets**

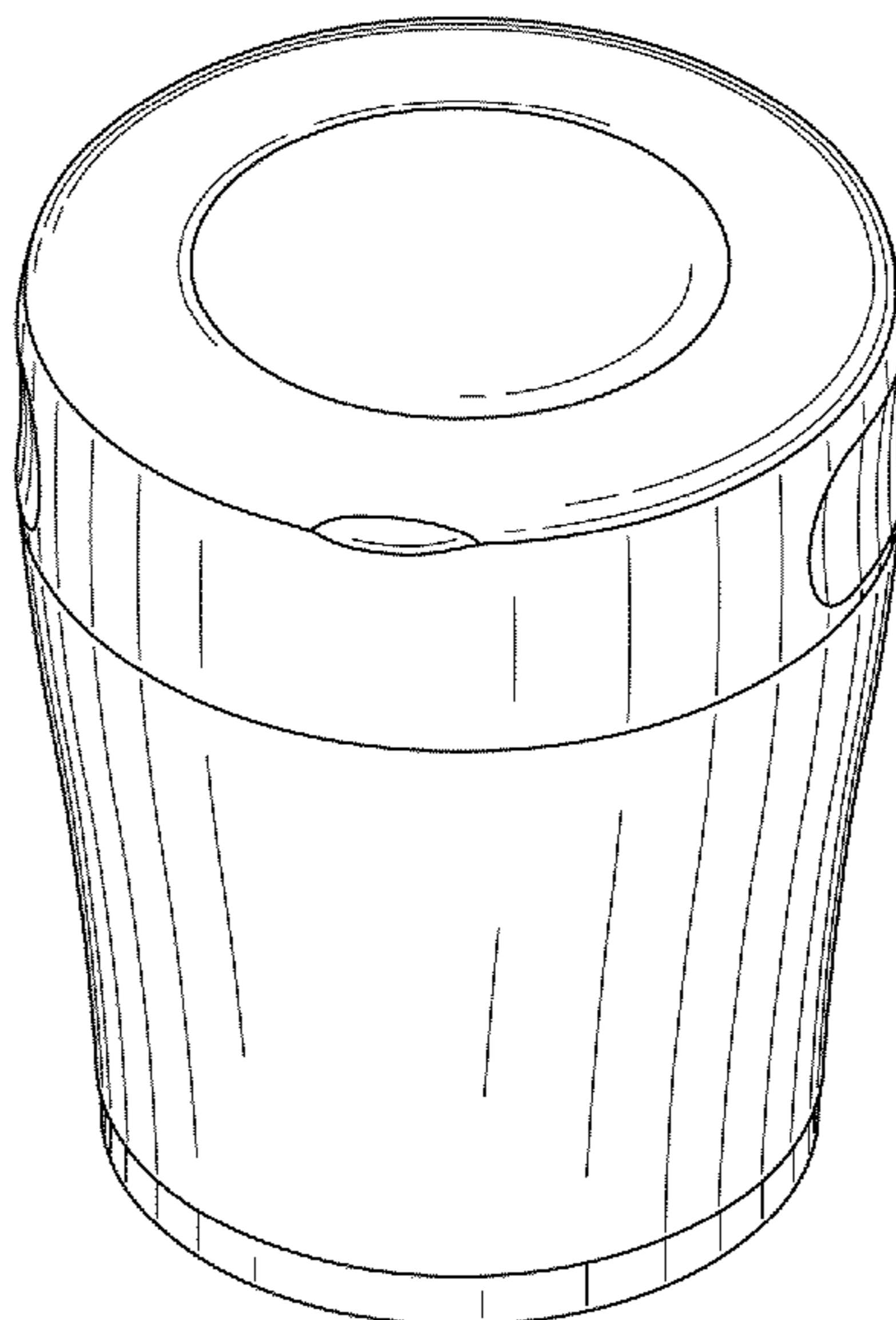


Fig. 1

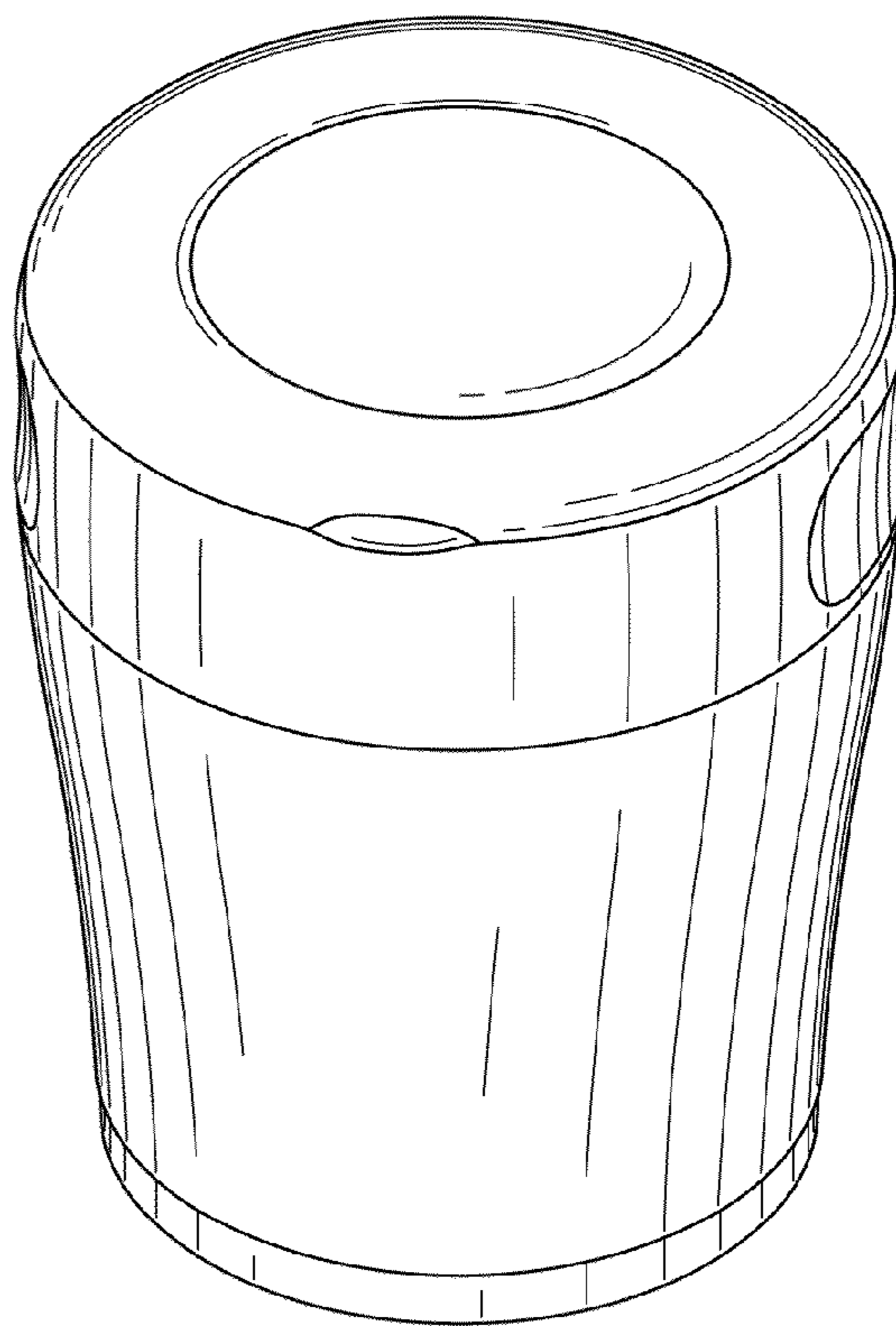


Fig. 2

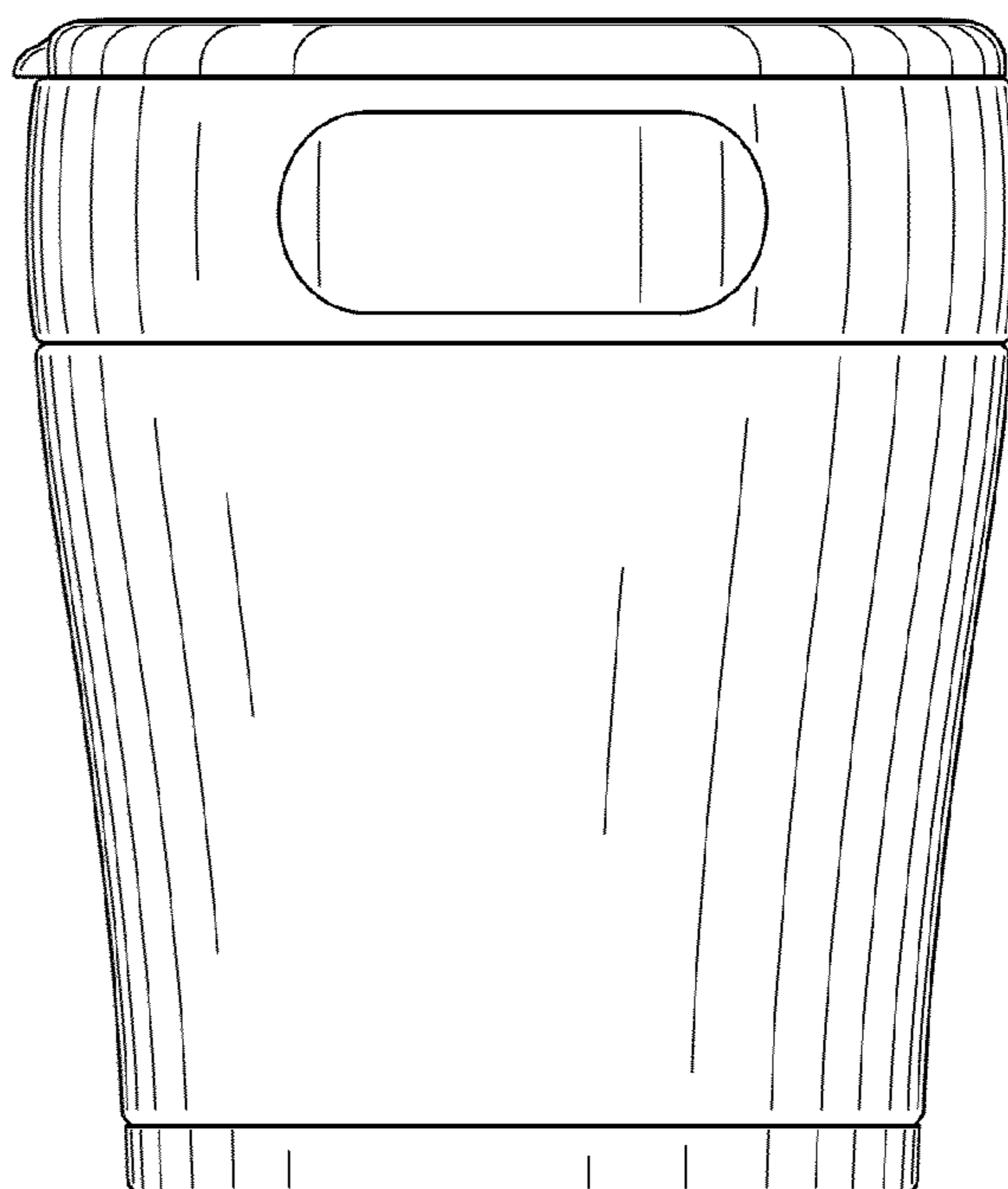


Fig. 3

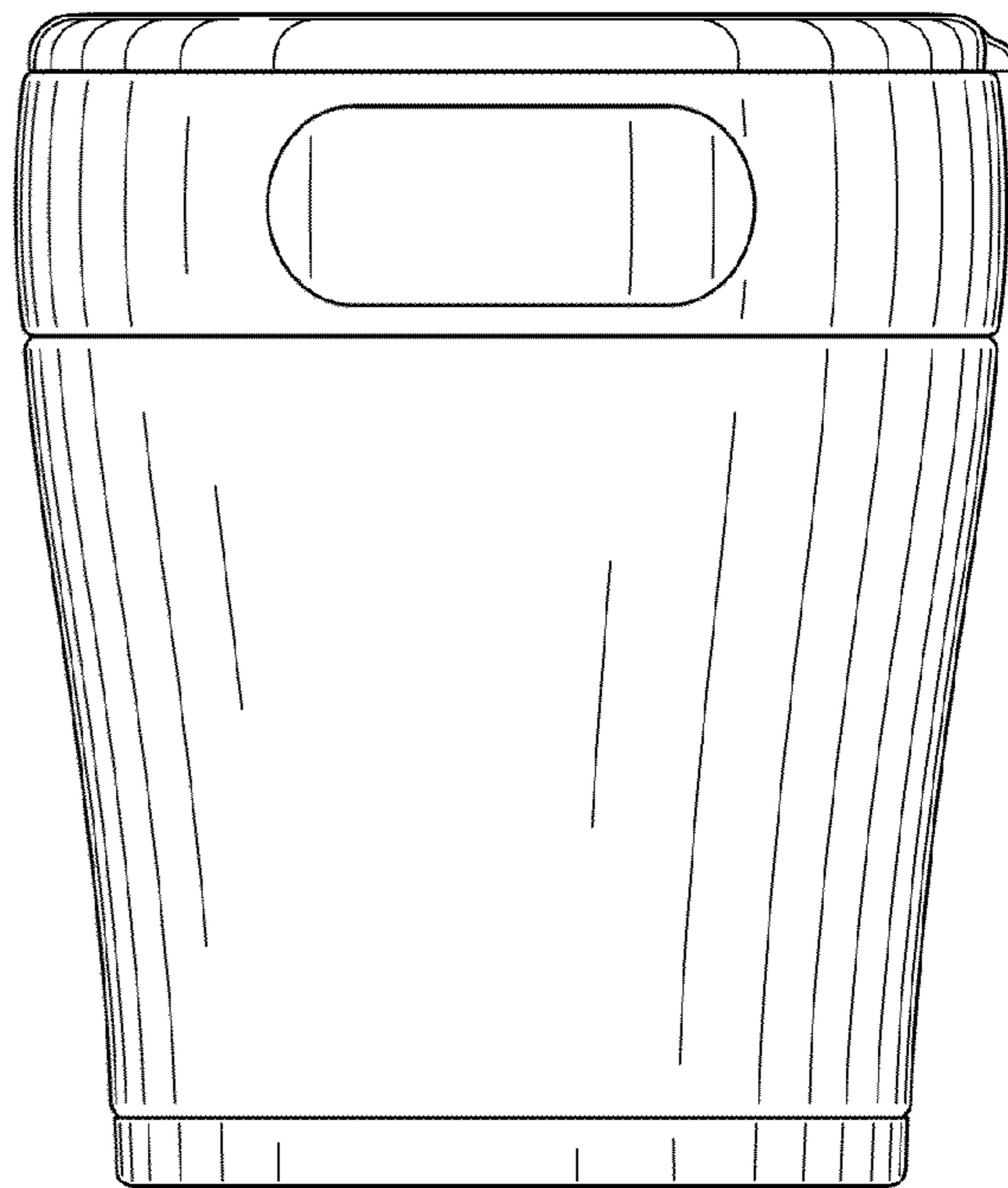


Fig. 4

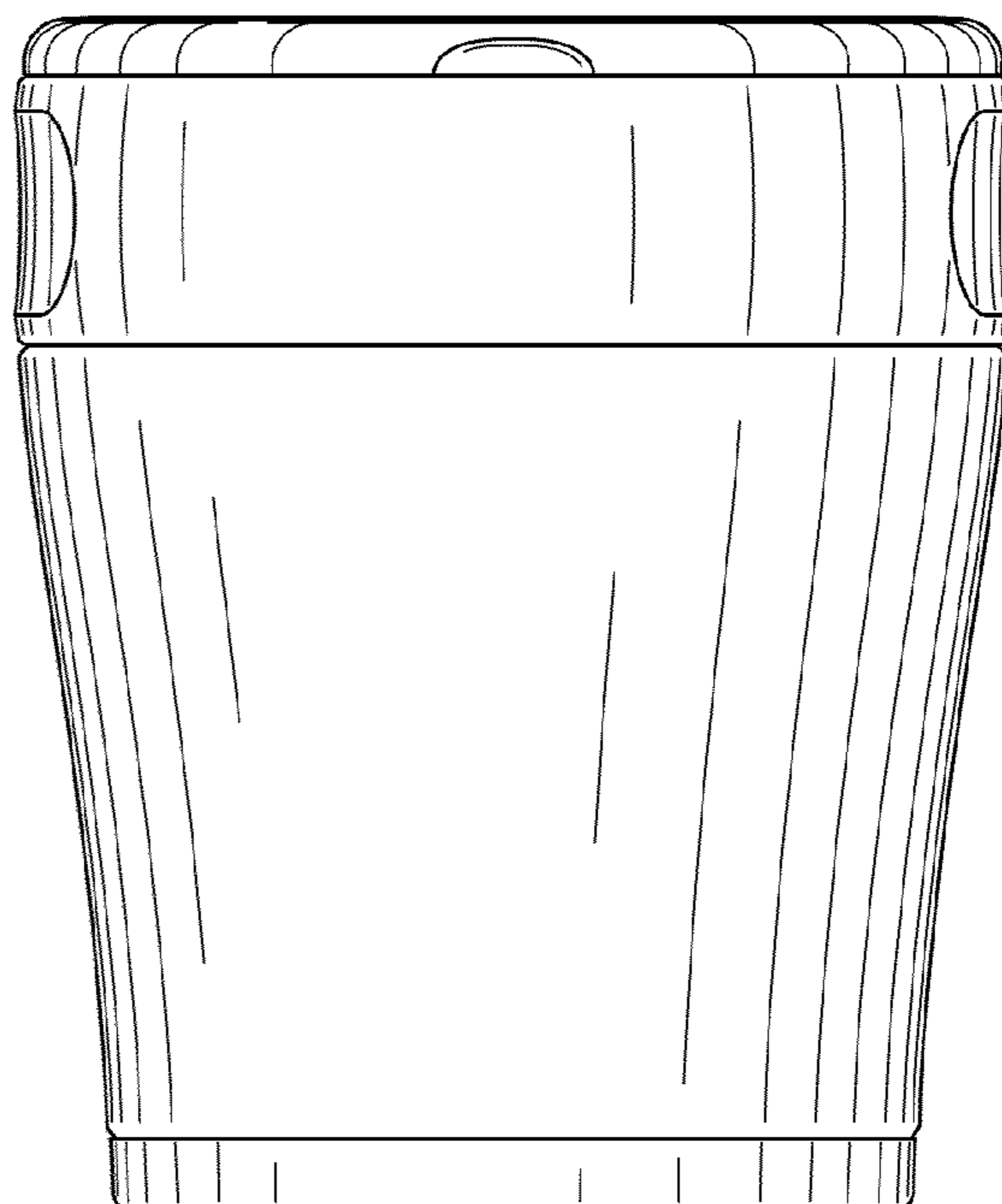


Fig. 5

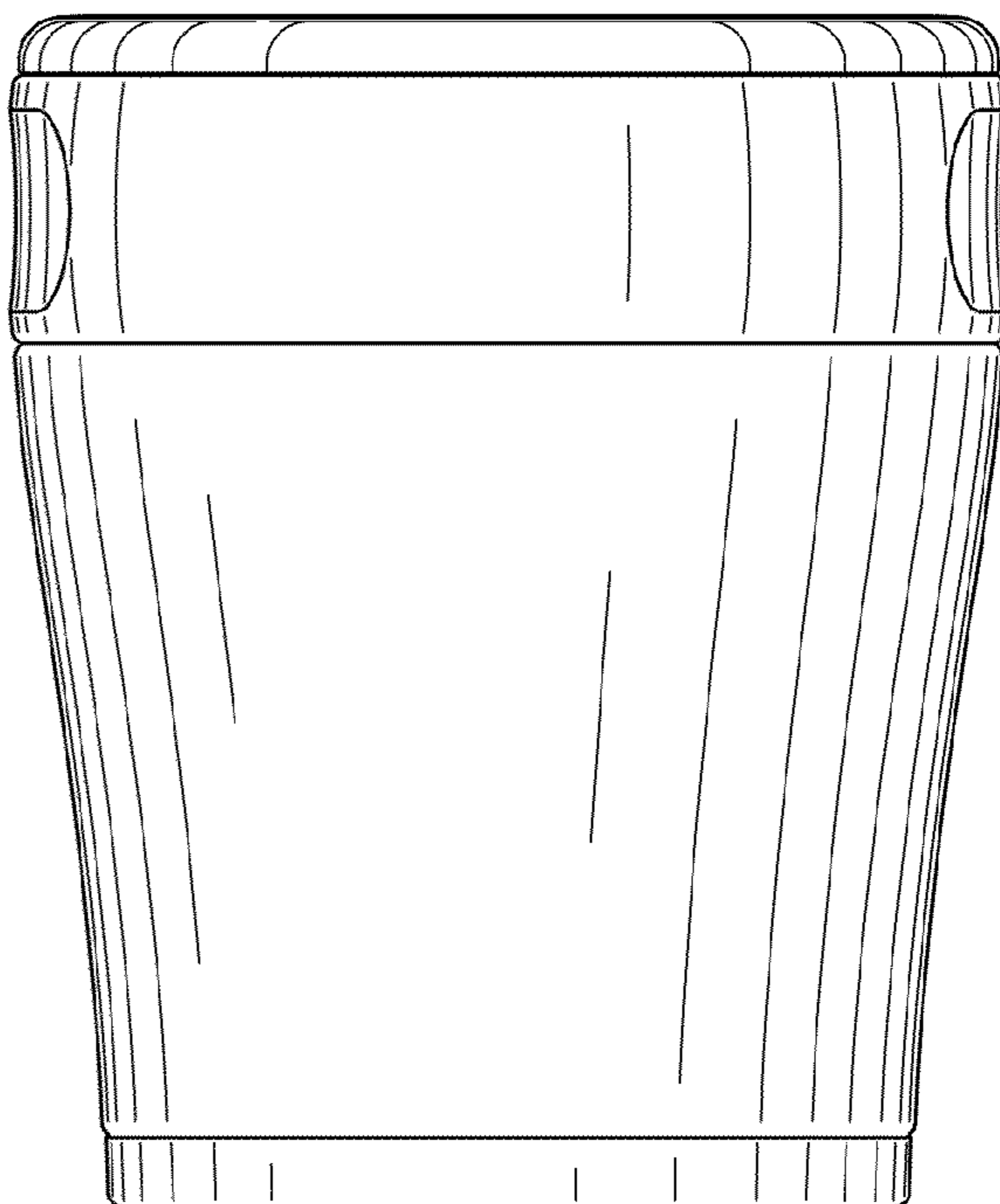


Fig. 6

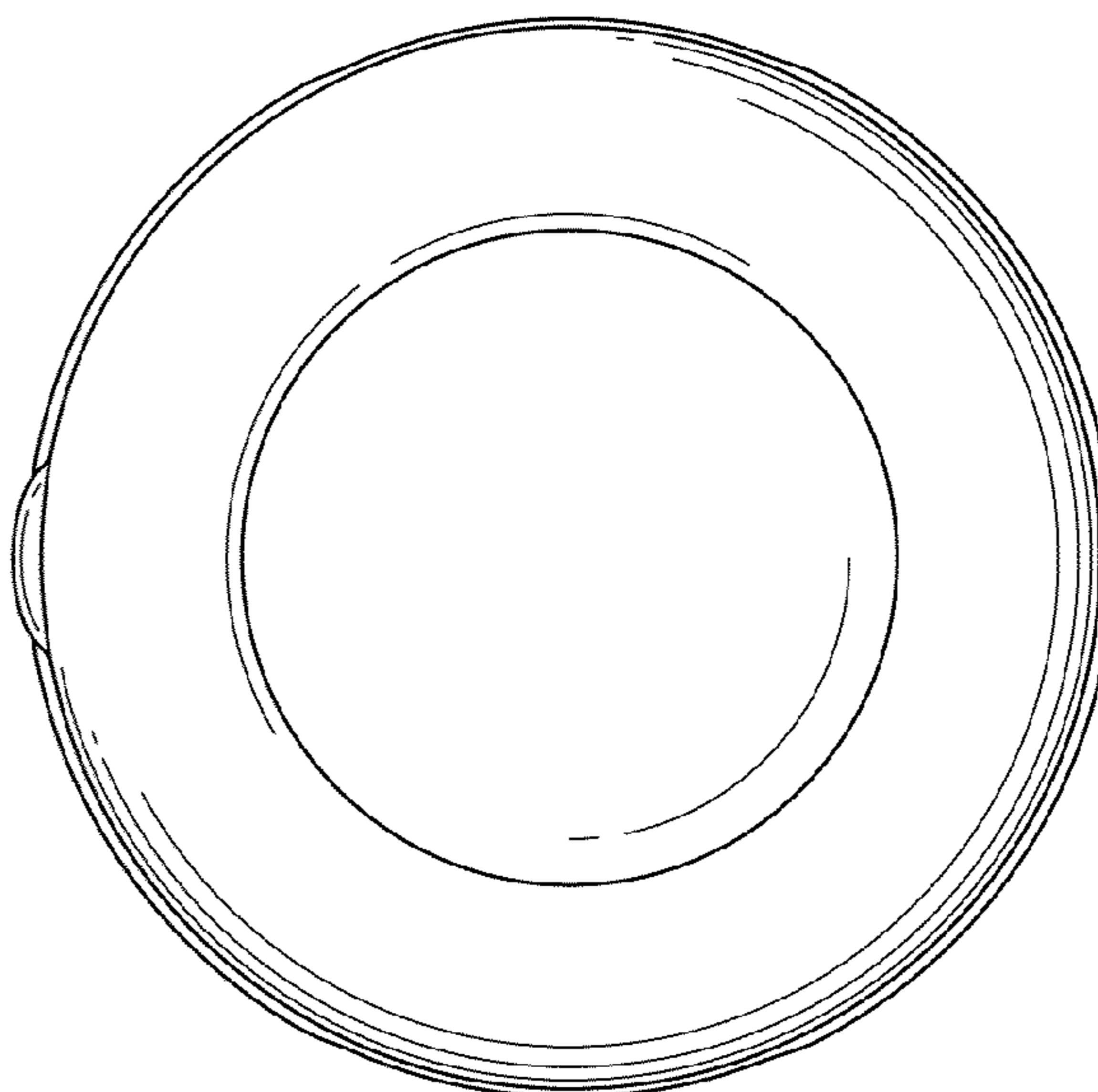




Fig. 7

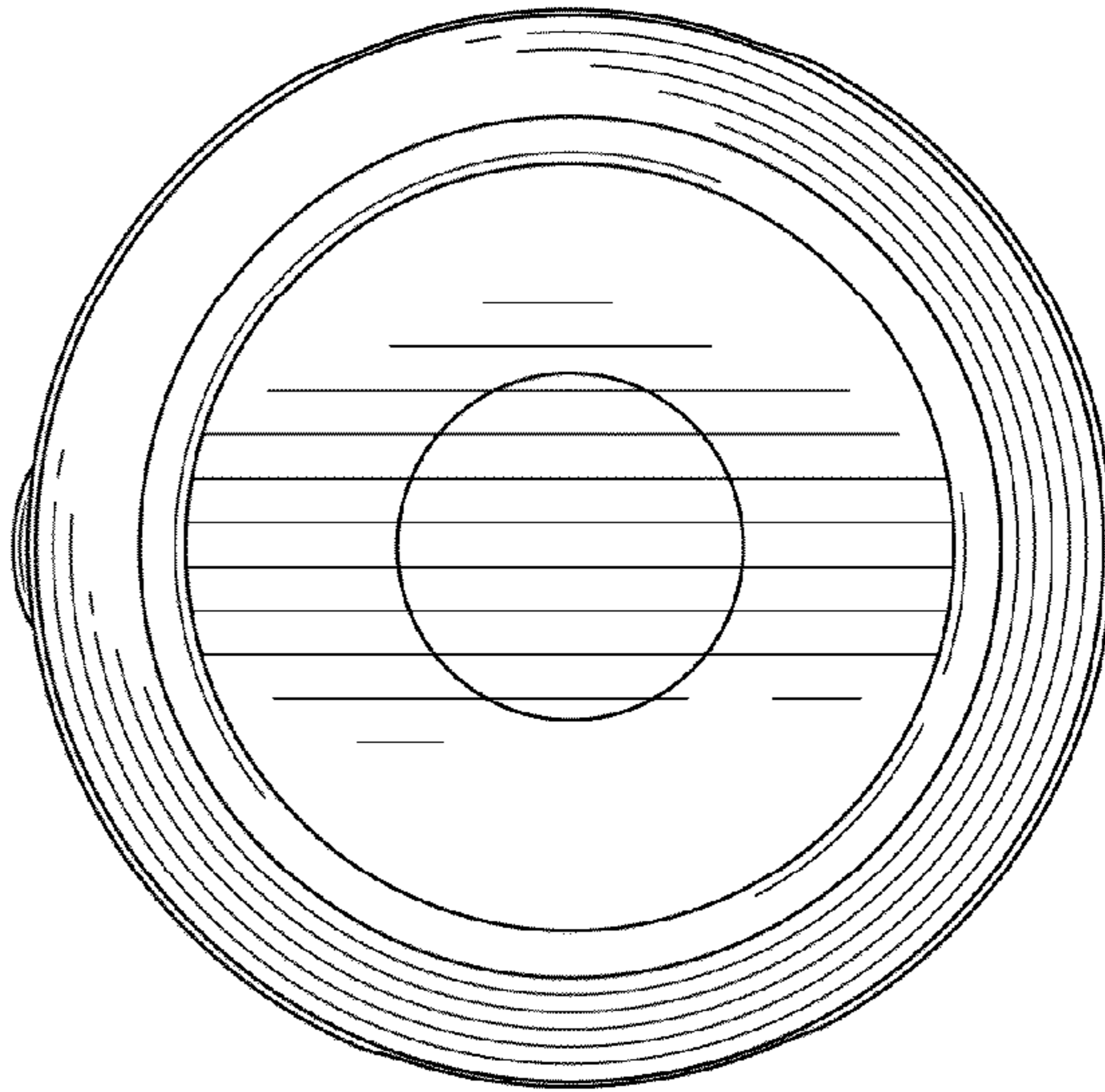


Fig. 8

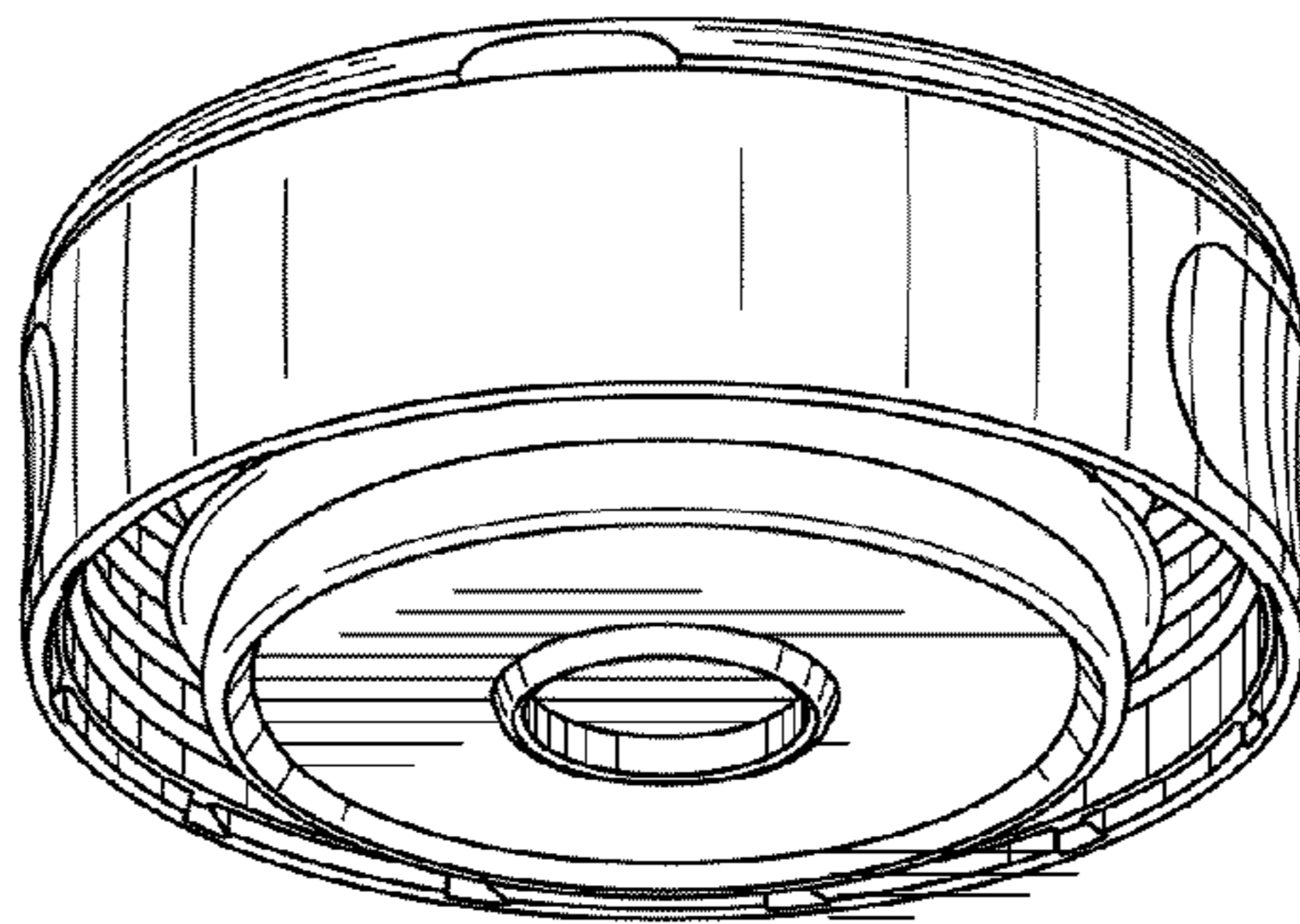


Fig. 9

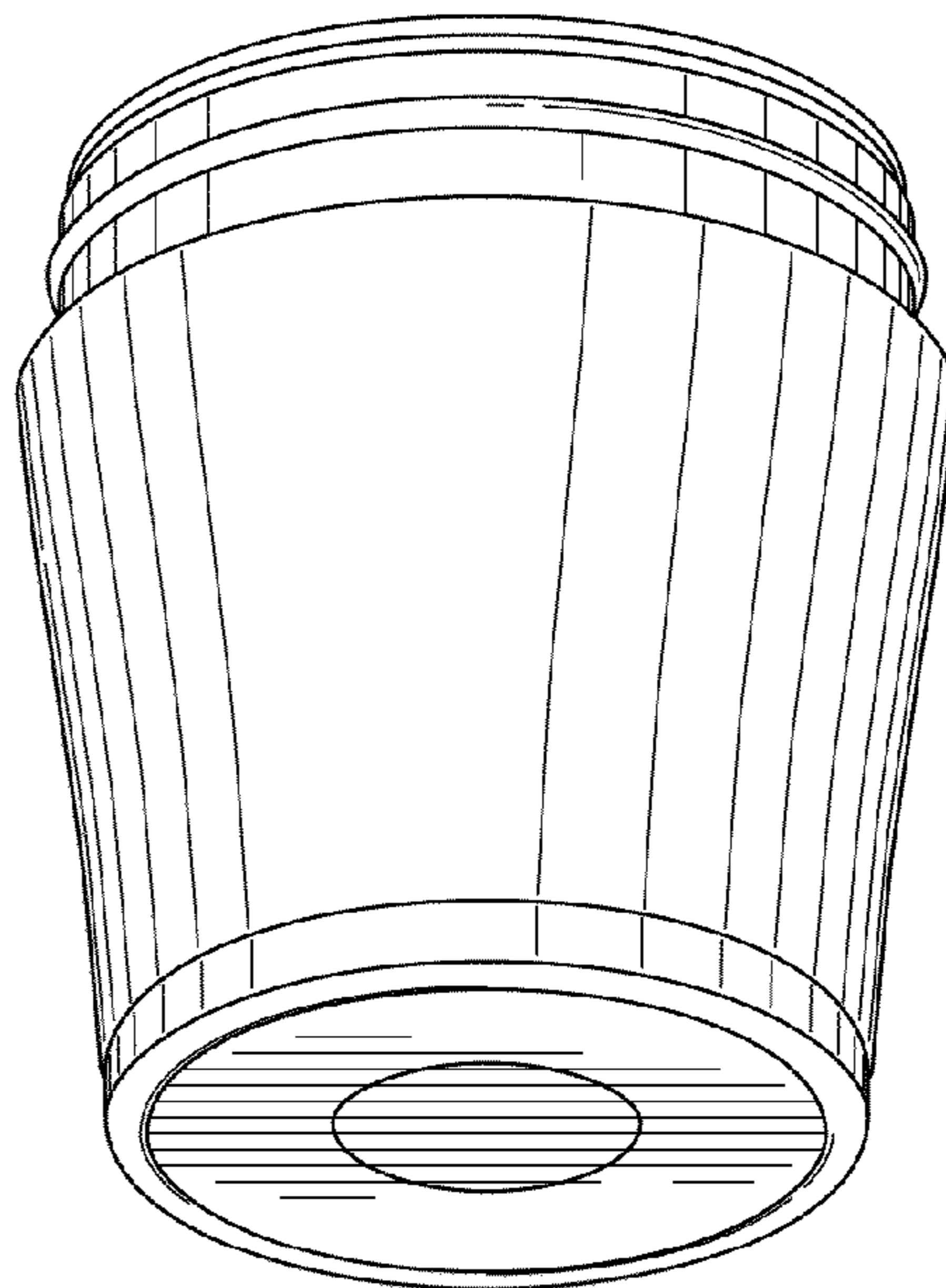


Fig. 10

