



US00D710151S

(12) **United States Design Patent**
Busalt et al.

(10) **Patent No.:** **US D710,151 S**
(45) **Date of Patent:** **** Aug. 5, 2014**

(54) **WARMING DRAWER**

(71) Applicant: **BSH Home Appliances Corporation**,
Irvine, CA (US)

(72) Inventors: **Gerhard Busalt**, Altenmarkt/Alz (DE);
Joachim Grützke, Ebersberg (DE);
Graham Sadtler, Huntington Beach, CA
(US); **Günter Varnhorn**, Braunschweig
(DE)

(73) Assignee: **BSH Home Appliances Corporation**,
Irvine, CA (US)

(**) Term: **14 Years**

(21) Appl. No.: **29/466,449**

(22) Filed: **Sep. 9, 2013**

Related U.S. Application Data

(62) Division of application No. 29/393,893, filed on Jun. 10, 2011, now Pat. No. Des. 692,266, which is a division of application No. 29/366,622, filed on Jul. 28, 2010, now Pat. No. Des. 645,293, which is a division of application No. 29/351,981, filed on Dec. 15, 2009, now Pat. No. Des. 626,781, which is a division of application No. 29/271,262, filed on Jan. 12, 2007, now Pat. No. Des. 612,686.

(51) **LOC (10) Cl.** **07-02**

(52) **U.S. Cl.**
USPC **D7/405**

(58) **Field of Classification Search**
USPC D7/339-408; 126/19 R, 190, 198, 200,
126/273 A; 219/443.1, 444.1

See application file for complete search history.

(56) **References Cited**

U.S. PATENT DOCUMENTS

D524,094	S	*	7/2006	Home	D7/340
D557,548	S	*	12/2007	Fisher	D7/340
D615,800	S	*	5/2010	Grey et al.	D7/340
D616,695	S	*	6/2010	Grey et al.	D7/340

* cited by examiner

Primary Examiner — Catheri Oliver-Garcia

(74) *Attorney, Agent, or Firm* — James E. Howard; Andre Pallapies

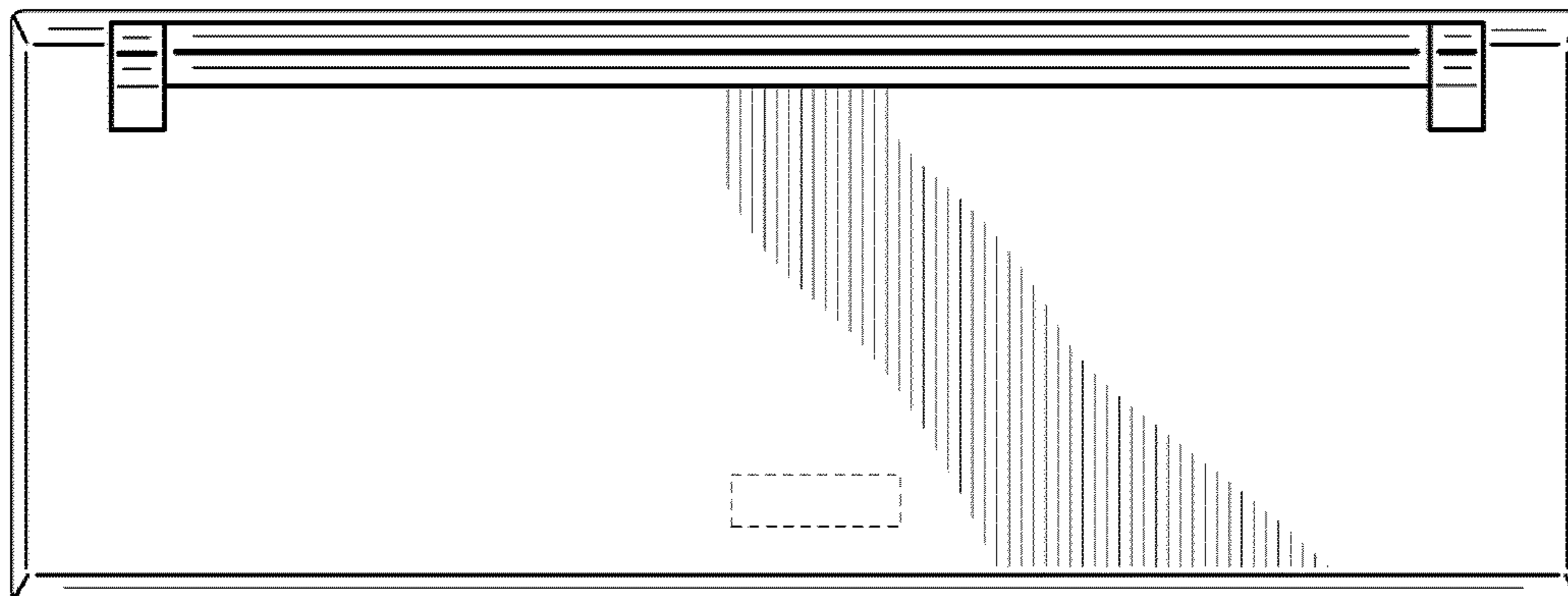
(57) **CLAIM**

The ornamental design for a warming drawer, as shown and described.

DESCRIPTION

FIG. 1 is a front view of a warming drawer showing a first embodiment of our ornamental design;
FIG. 2 is a perspective view thereof;
FIG. 3 is a front view of a warming drawer showing a second embodiment of our ornamental design;
FIG. 4 is a perspective view thereof;
FIG. 5 is a front view of a warming drawer showing a third embodiment of our ornamental design;
FIG. 6 is another front view of the warming drawer of FIG. 5 in a sample environmental setting; and,
FIG. 7 is a perspective view thereof.
Where included, broken lines showing environment or structure are for illustrative purposes only and form no part of the claimed design.

1 Claim, 4 Drawing Sheets



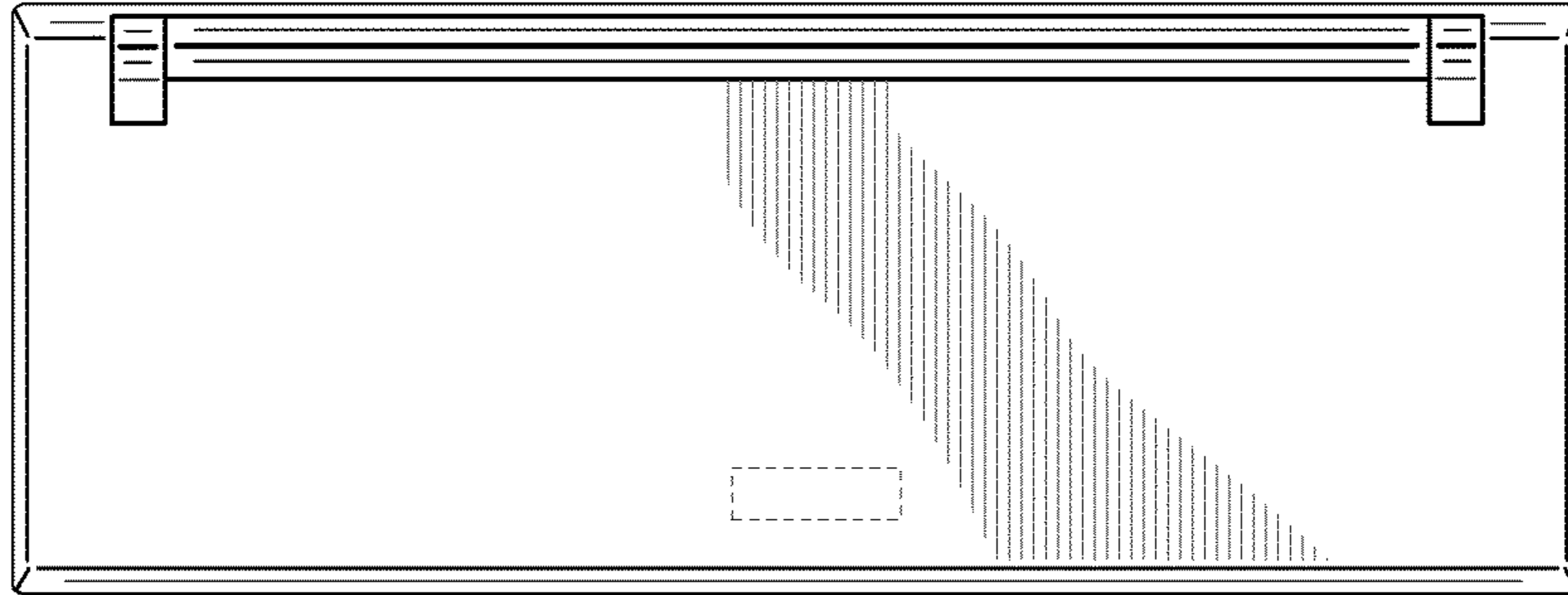


Fig. 1

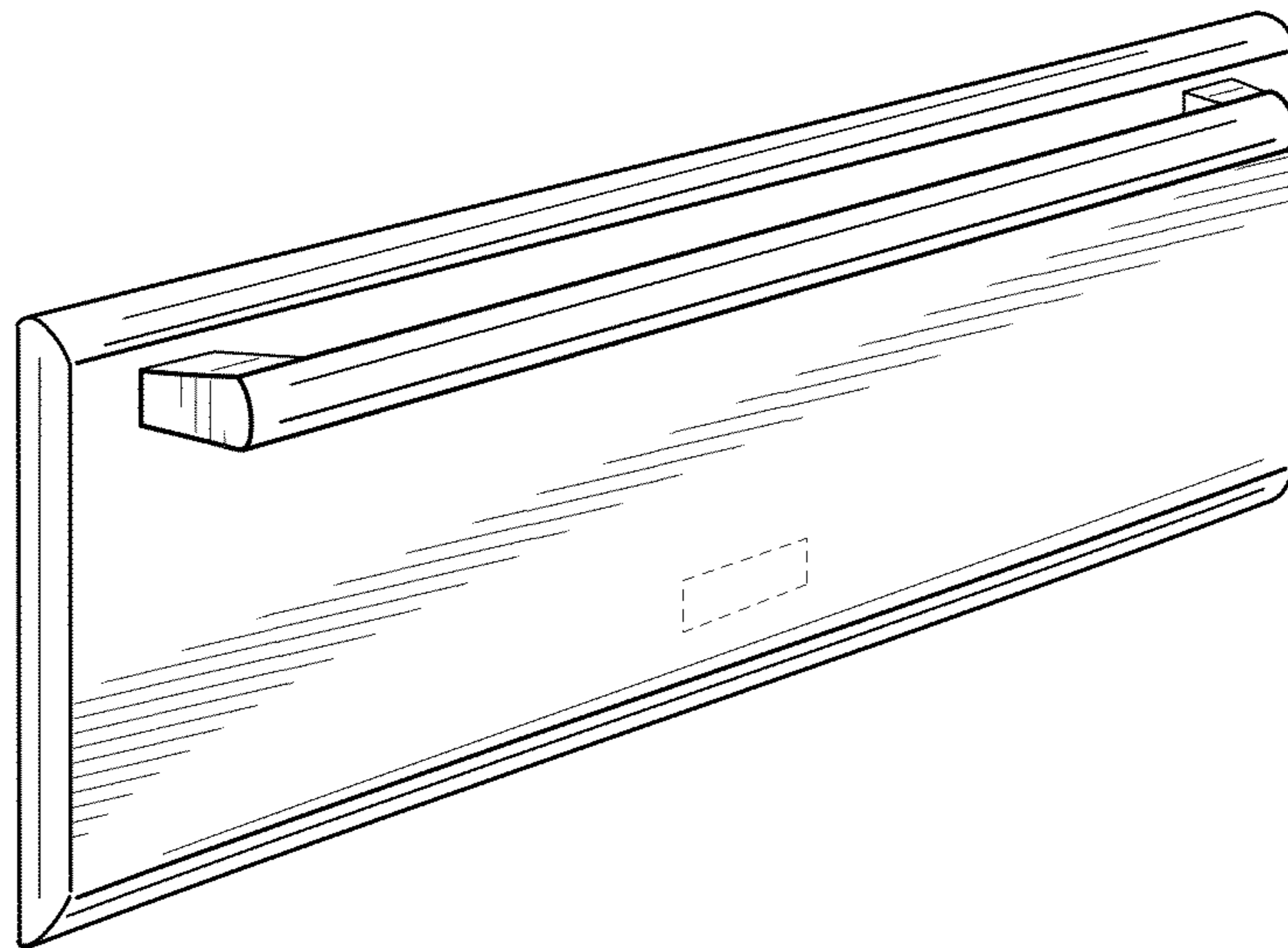


Fig. 2

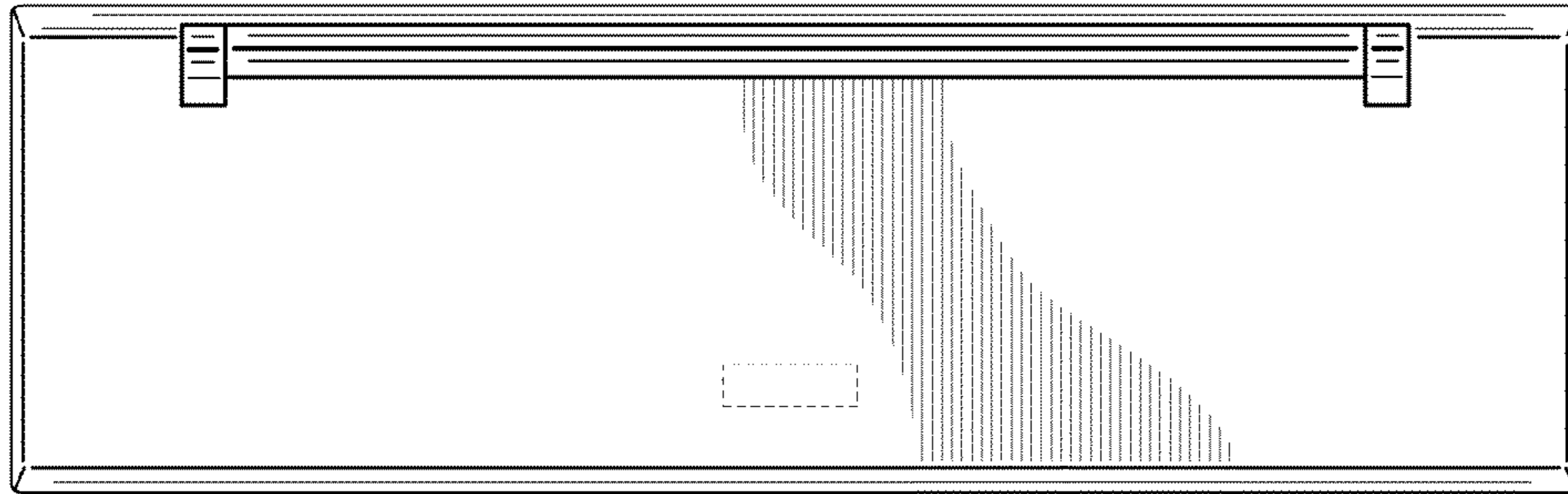


Fig. 3

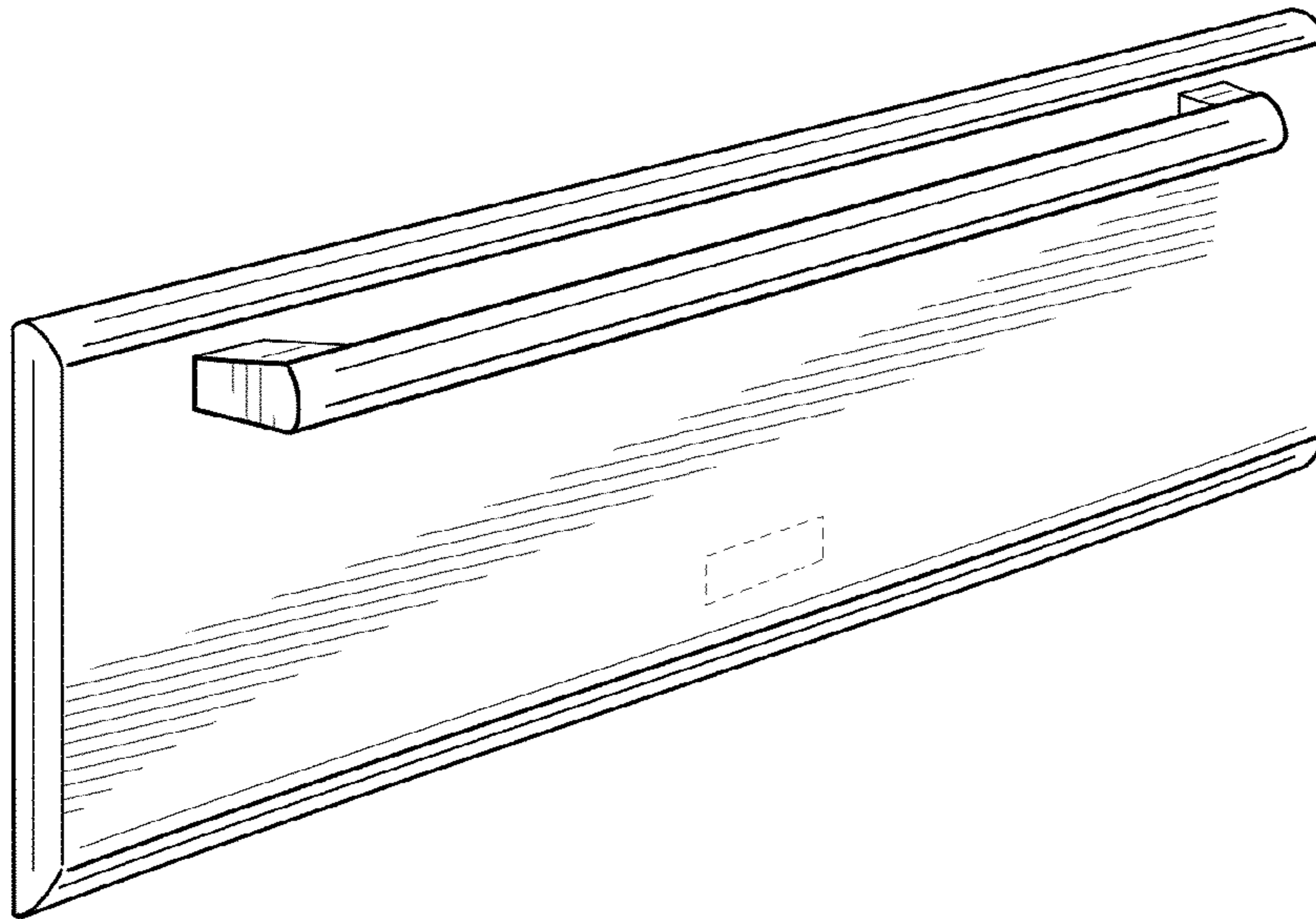


Fig. 4

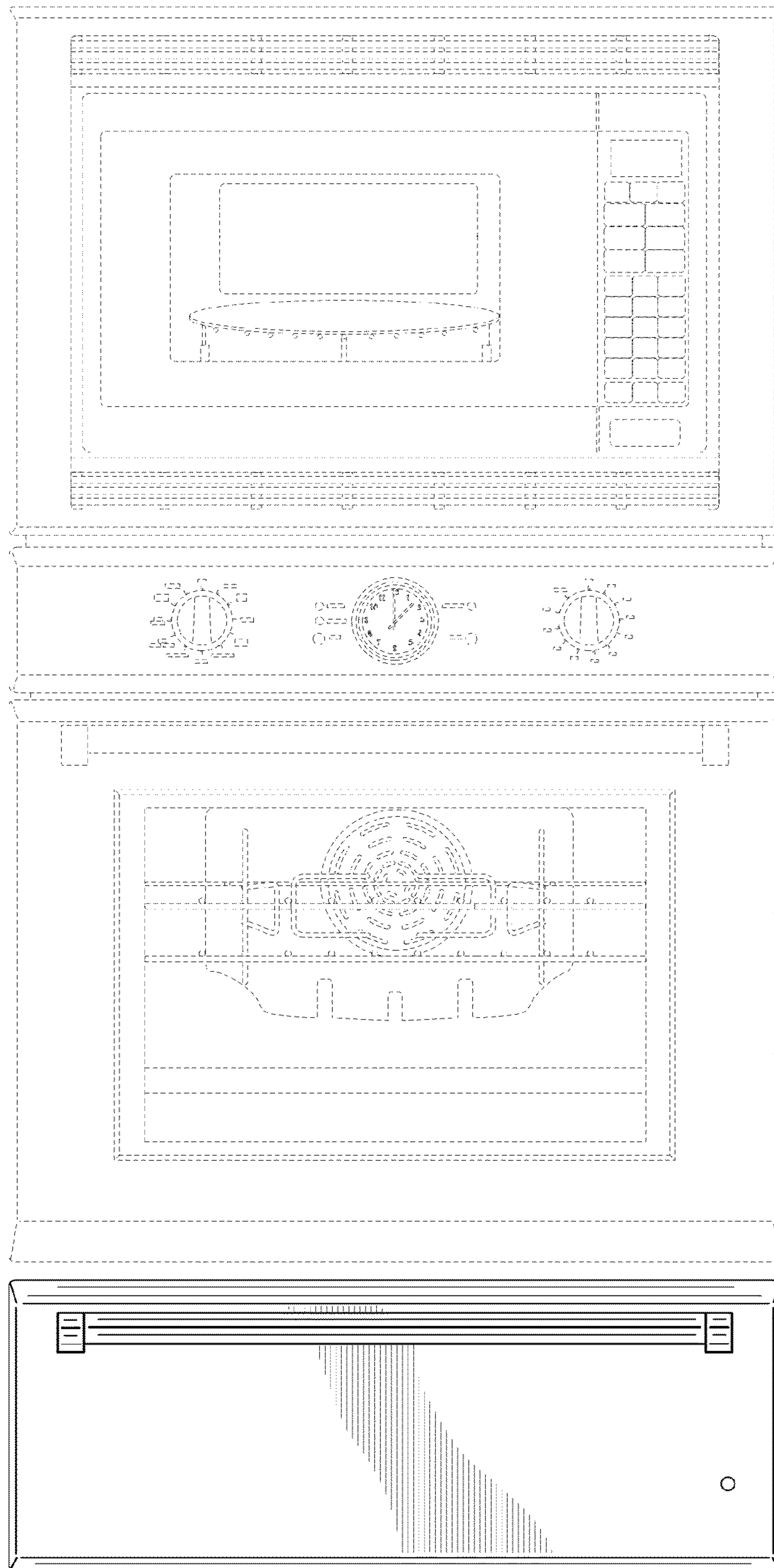


Fig. 5

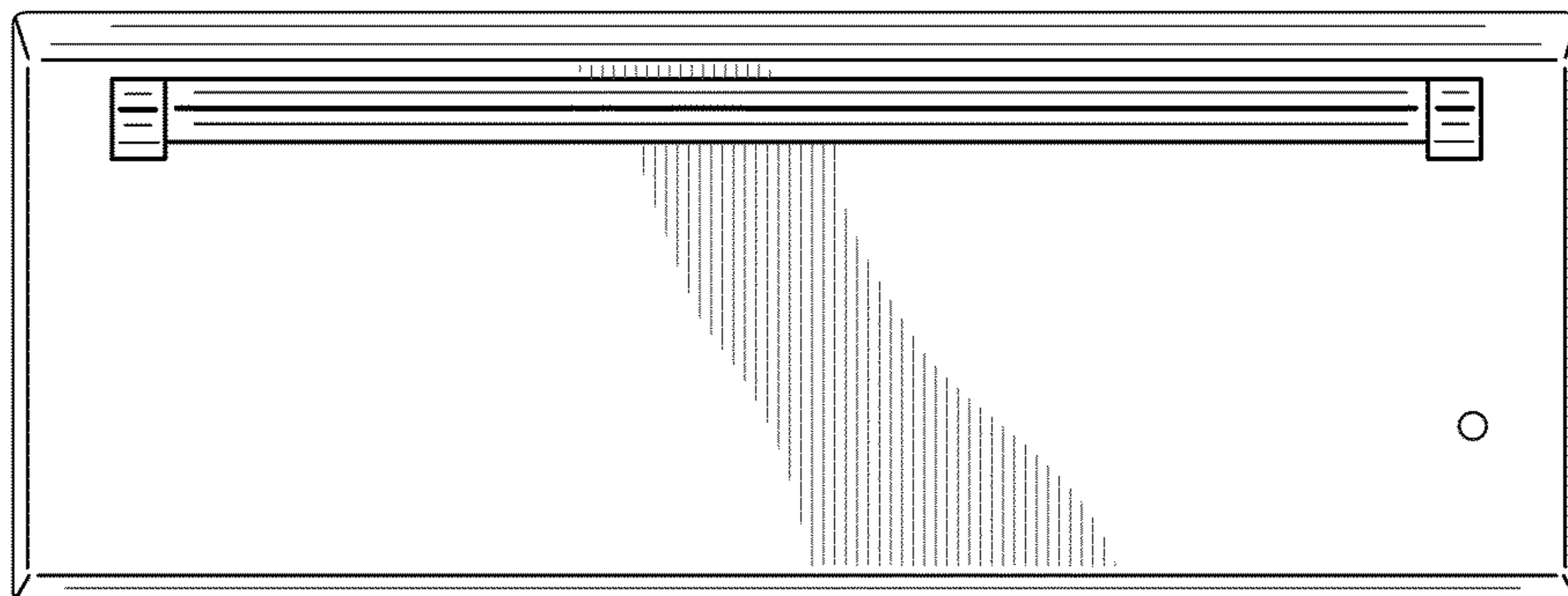


Fig. 6

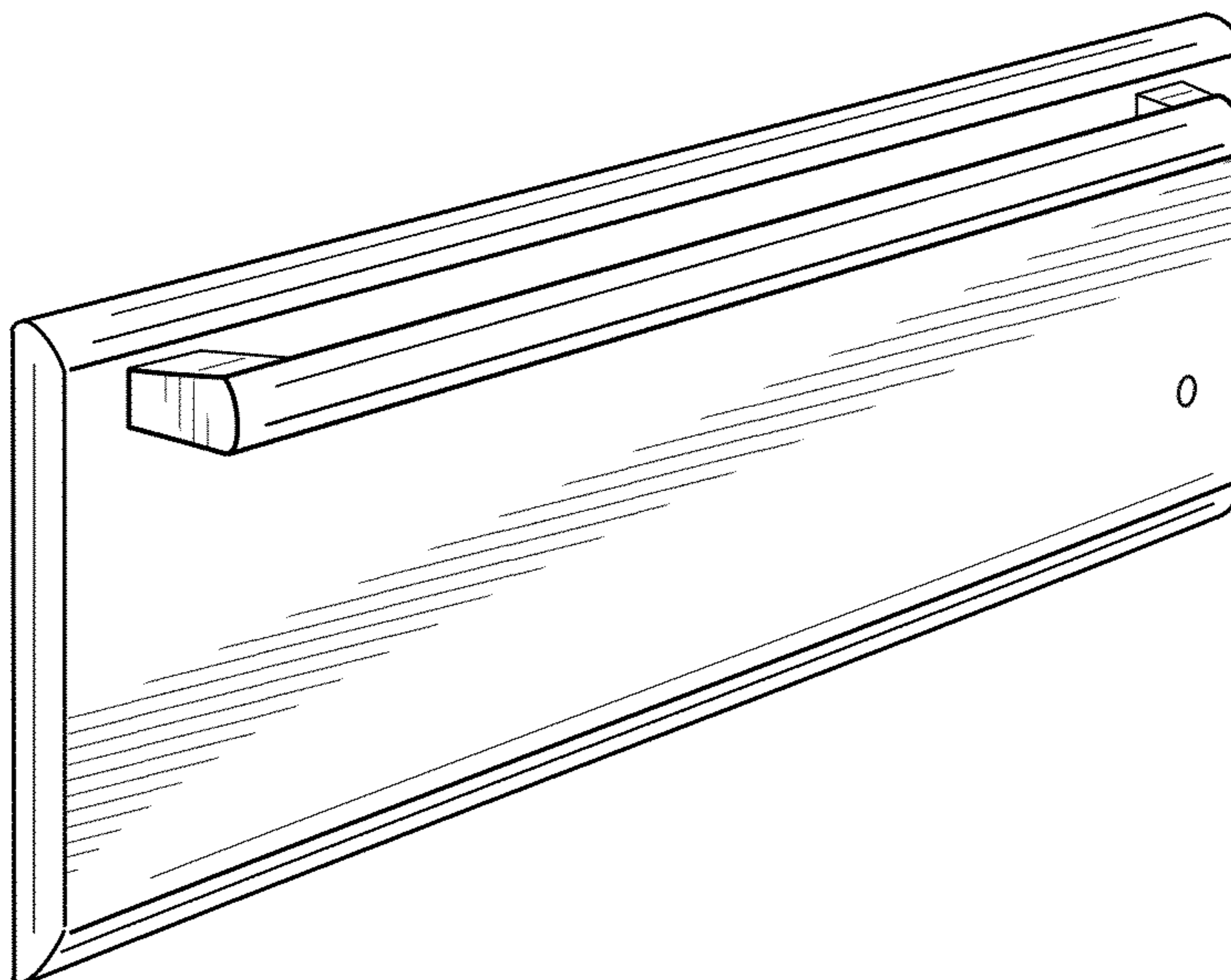


Fig. 7