

US00D710150S

(12) **United States Design Patent**
Busalt et al.

(10) **Patent No.:** **US D710,150 S**

(45) **Date of Patent:** **** Aug. 5, 2014**

(54) **WARMING DRAWER**

(71) Applicant: **BSH Home Appliances Corporation**,
Irvine, CA (US)

(72) Inventors: **Gerhard Busalt**, Altenmarkt/Alz (DE);
Joachim Grützke, Ebersberg (DE);
Graham Sadtler, Huntington Beach, CA
(US); **Günter Varnhorn**, Braunschweig
(DE)

(73) Assignee: **BSH Home Appliances Corporation**,
Irvine, CA (US)

(**) Term: **14 Years**

(21) Appl. No.: **29/466,448**

(22) Filed: **Sep. 9, 2013**

Related U.S. Application Data

(62) Division of application No. 29/431,418, filed on Sep. 7, 2012, now Pat. No. Des. 692,267, which is a division of application No. 29/411,169, filed on Jan. 18, 2012, now Pat. No. Des. 671,790, which is a division of application No. 29/393,092, filed on May 31, 2011, now Pat. No. Des. 656,777, which is a division of application No. 29/366,623, filed on Jul. 28, 2010, now Pat. No. Des. 643,672, which is a division of application No. 29/352,153, filed on Dec. 17, 2009, now Pat. No. Des. 626,782, which is a division of application No. 29/271,261, filed on Jan. 12, 2007, now Pat. No. Des. 611,294.

(51) **LOC (10) Cl.** **07-02**

(52) **U.S. Cl.**

USPC **D7/405**

(58) **Field of Classification Search**

USPC D7/348-349, 346, 339-408; 126/19 R,
126/190, 198, 200, 273 A; 219/214, 443.1,
219/444.1

See application file for complete search history.

(56) **References Cited**

U.S. PATENT DOCUMENTS

D524,094 S * 7/2006 Home D7/340
D557,548 S * 12/2007 Fisher D7/340
D615,800 S * 5/2010 Grey et al. D7/340
D616,695 S * 6/2010 Grey et al. D7/340

* cited by examiner

Primary Examiner — Catheri Oliver-Garcia

(74) *Attorney, Agent, or Firm* — James E. Howard; Andre Pallapies

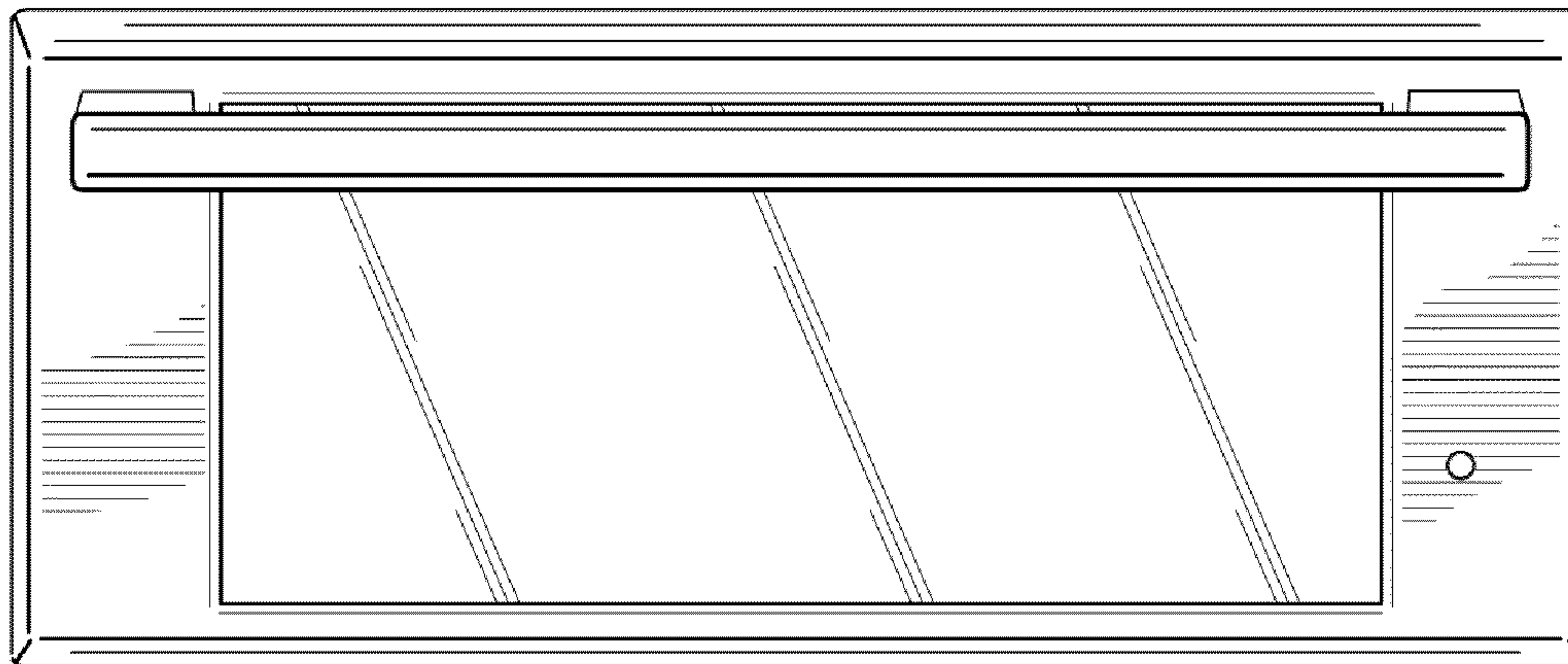
(57) **CLAIM**

The ornamental design for a warming drawer, as shown and described.

DESCRIPTION

FIG. 1 is a front view of a warming drawer showing a first embodiment of our ornamental design;
FIG. 2 is a perspective view thereof;
FIG. 3 is a front view of a warming drawer showing a second embodiment of our ornamental design; and,
FIG. 4 is a perspective view thereof.
Where included, broken lines showing environment or structure are for illustrative purposes only and form no part of the claimed design.

1 Claim, 2 Drawing Sheets



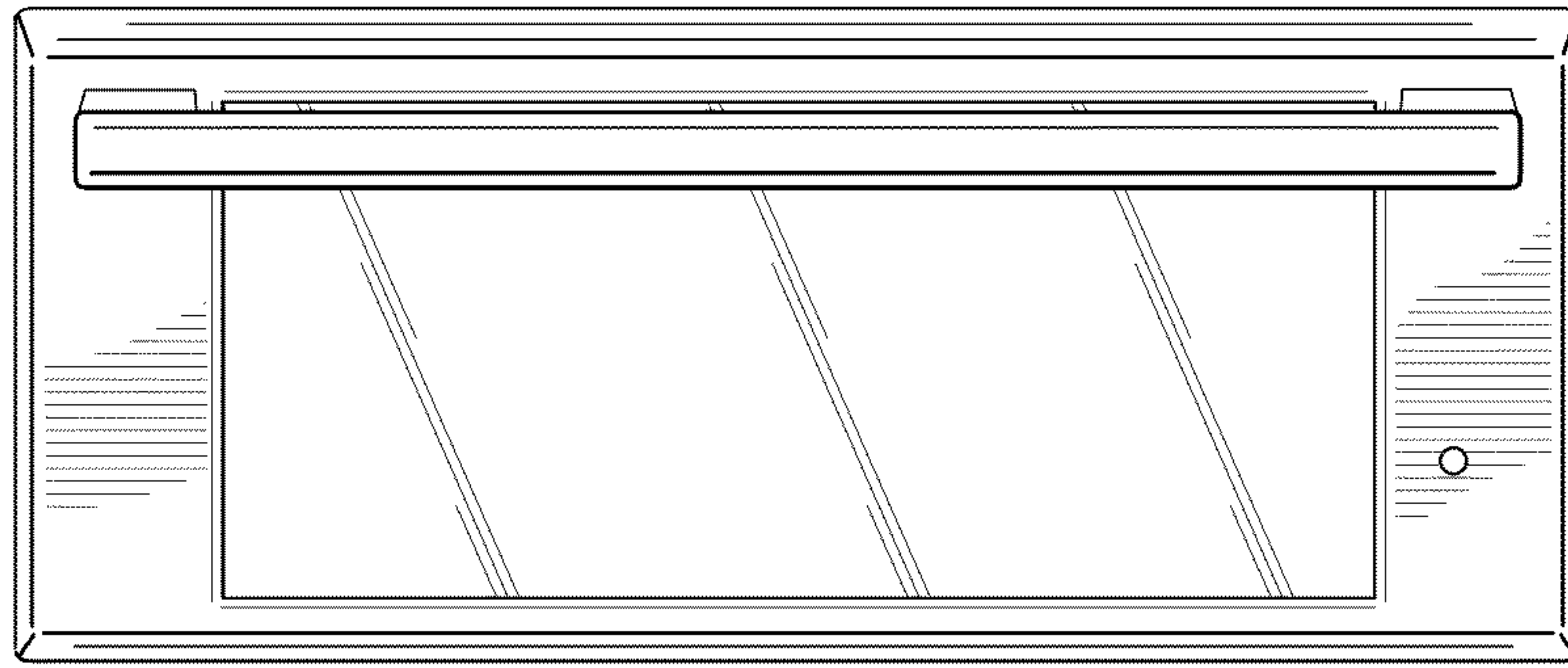


FIG. 1

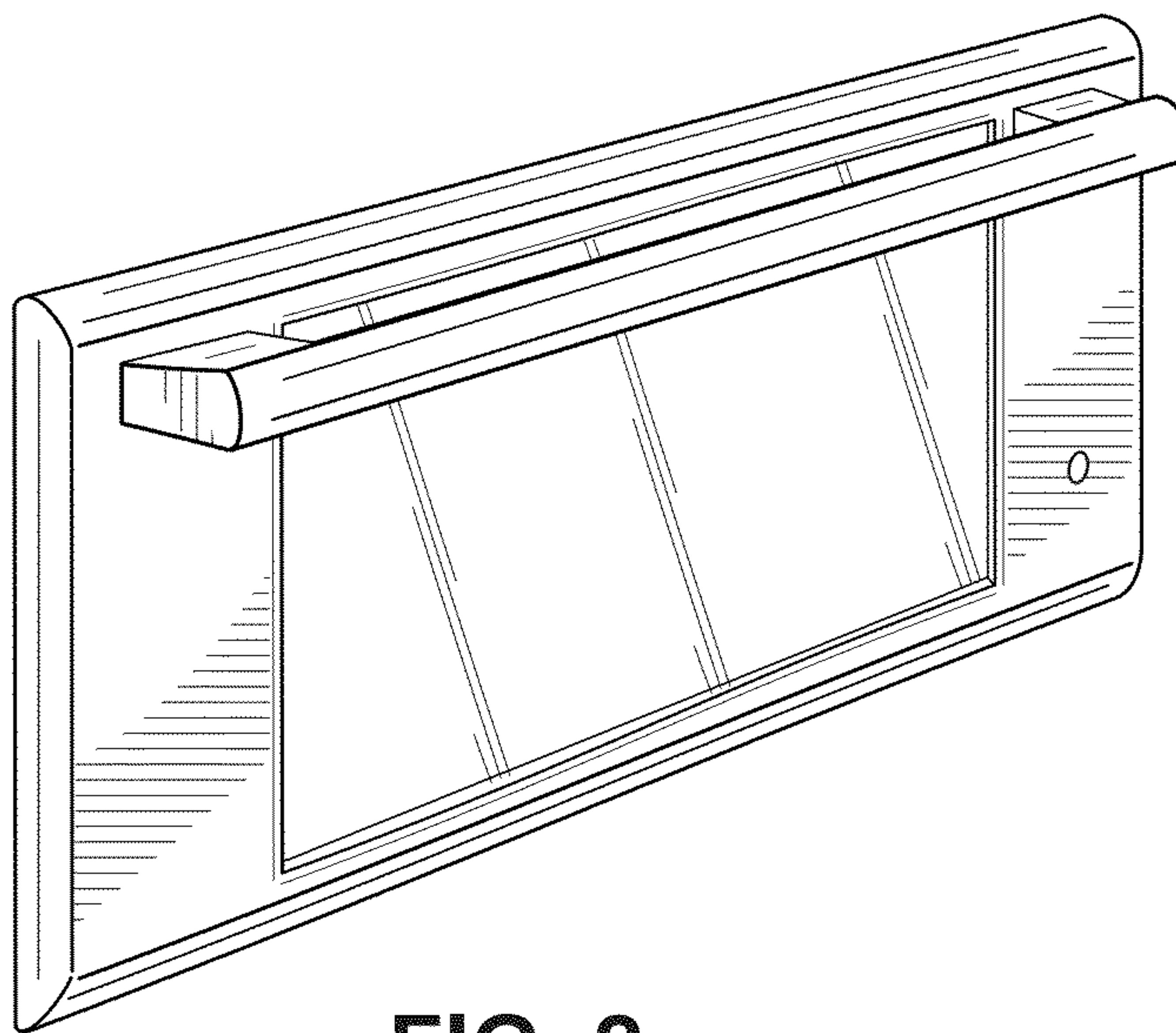


FIG. 2

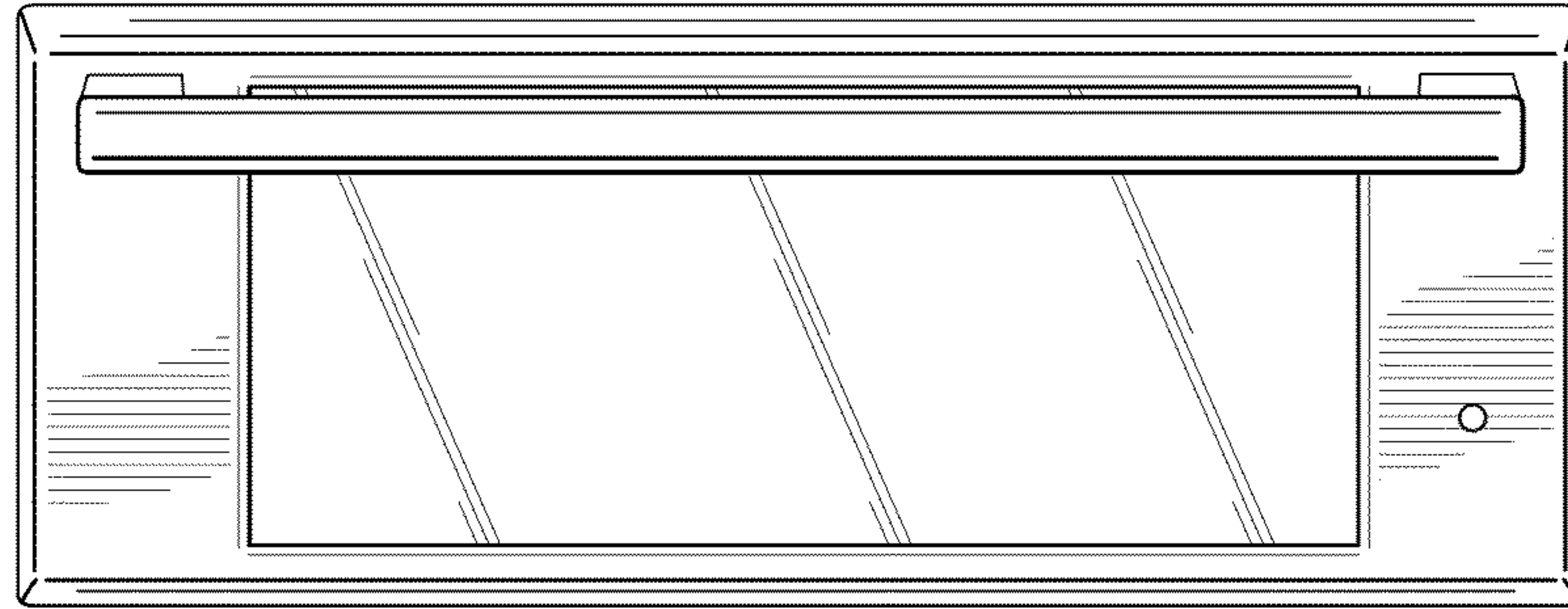


FIG. 3

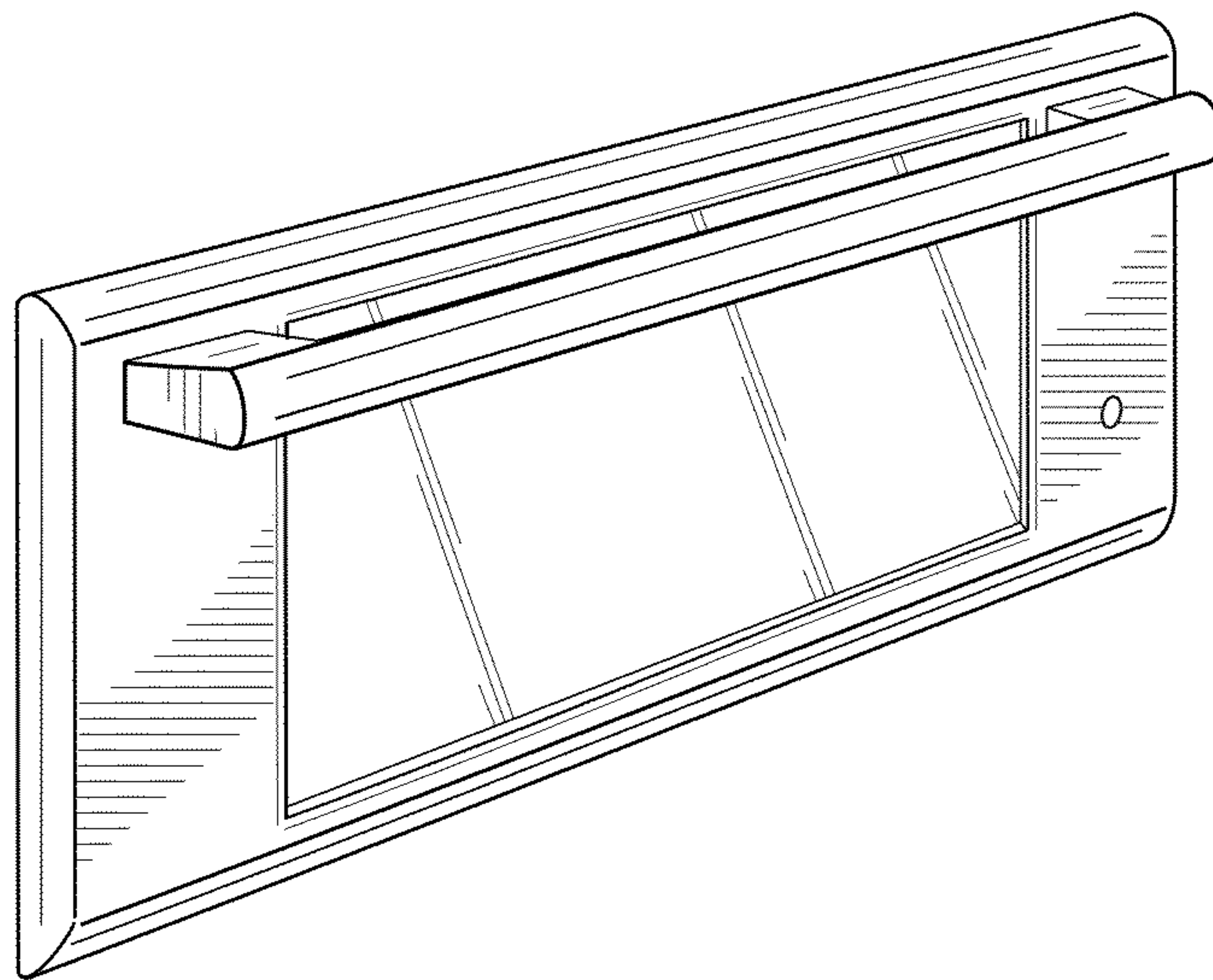


FIG. 4