



US00D710149S

(12) **United States Design Patent**
Josancy

(10) **Patent No.:** **US D710,149 S**
(45) **Date of Patent:** **** Aug. 5, 2014**

(54) **ELECTRIC FRYER**
(71) Applicant: **SEB, Selongey (FR)**
(72) Inventor: **Luc Josancy, Sainte-Colombe (FR)**
(73) Assignee: **SEB, Selongey (FR)**
(**) Term: **14 Years**

D473,097	S	*	4/2003	Brown et al.	D7/354
6,742,444	B1	*	6/2004	Lai et al.	99/330
6,807,899	B2	*	10/2004	Dirand	99/403
D516,374	S	*	3/2006	McLemore	D7/360
D539,599	S	*	4/2007	De'Longhi	D7/354
D542,082	S	*	5/2007	Spiegel et al.	D7/354
D542,095	S	*	5/2007	Orent et al.	D7/560
D551,897	S	*	10/2007	De Pra'	D7/339
D560,424	S	*	1/2008	McLemore	D7/355
7,412,922	B2	*	8/2008	McLemore	99/413

(Continued)

(21) Appl. No.: **29/439,484**

(22) Filed: **Dec. 11, 2012**

(30) **Foreign Application Priority Data**

Jun. 13, 2012 (EM) 001330815-0001

(51) **LOC (10) Cl.** **07-02**

(52) **U.S. Cl.**
USPC **D7/405**

(58) **Field of Classification Search**
USPC D7/323, 329-332, 337-339, 346-347,
D7/350.1-350.4, 353-367, 391-395,
D7/402-408, 560; 99/324-325, 330-332,
99/337-343, 366-369, 400-418, 422, 425,
99/444, 348, 13; 126/37 R, 41 R, 261, 369,
126/378.1; 426/438, 441

See application file for complete search history.

(56) **References Cited**

U.S. PATENT DOCUMENTS

D272,034	S	*	1/1984	Beugnot	D7/360
D305,971	S	*	2/1990	Janssens	D7/360
D345,280	S	*	3/1994	Powell	D7/323
D369,505	S	*	5/1996	Philippe	D7/323
D395,980	S	*	7/1998	Boisselier	D7/323
D412,263	S	*	7/1999	Jozancy	D7/354
D452,412	S	*	12/2001	Jeong	D7/354

FOREIGN PATENT DOCUMENTS

BR	DI6904319-1	7/2010
BR	DI7103079-4	4/2012

(Continued)

Primary Examiner — T. Chase Nelson

Assistant Examiner — Mark Cavanna

(74) *Attorney, Agent, or Firm* — Loeb & Loeb LLP

(57) **CLAIM**

The ornamental design for an electric fryer, as shown and described.

DESCRIPTION

FIG. 1 is a front elevational view of an electric fryer showing my new design.

FIG. 2 is a back view of the electric fryer thereof.

FIG. 3 is a right side view of the electric fryer thereof.

FIG. 4 is a left side view of the electric fryer thereof.

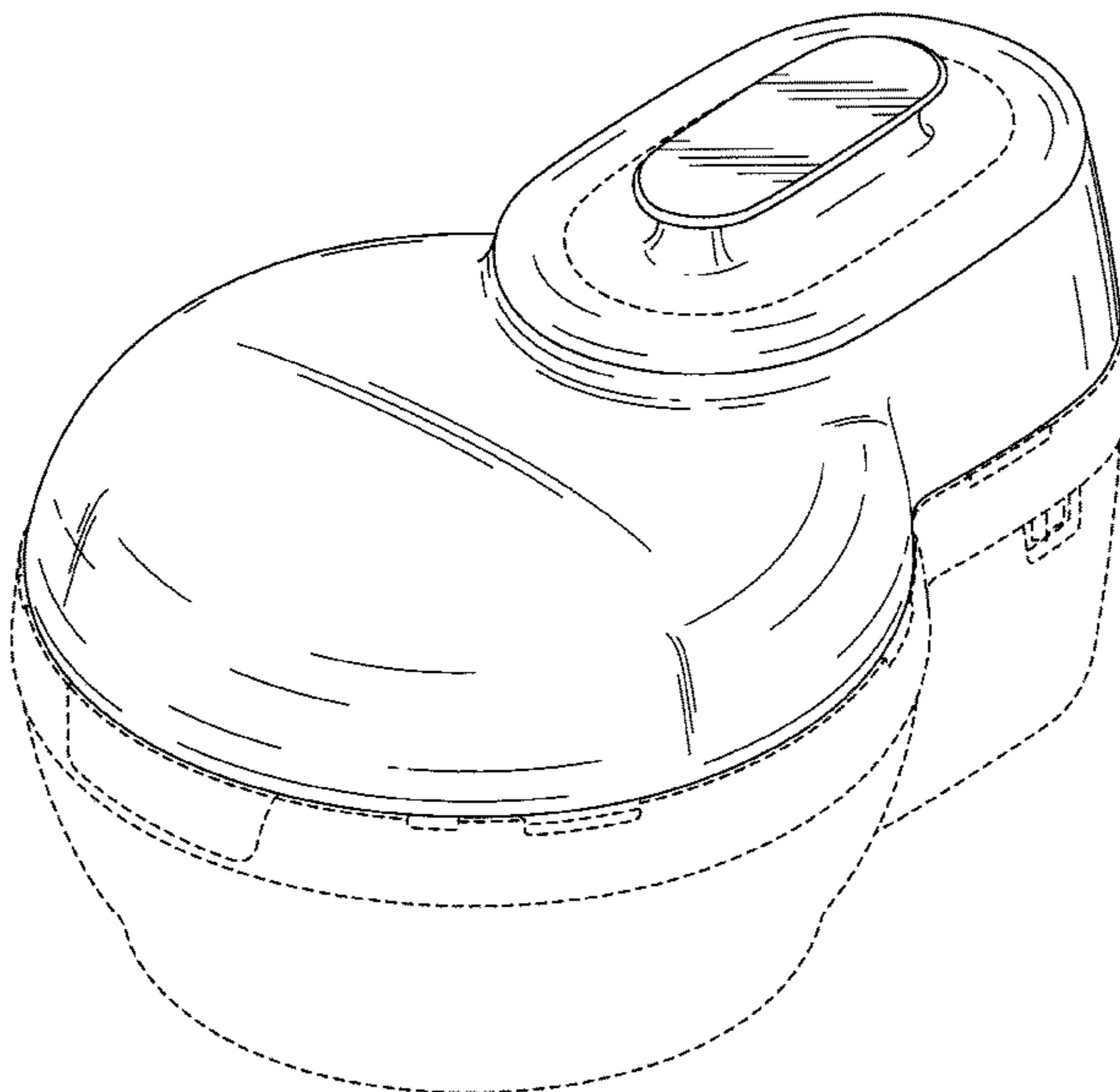
FIG. 5 is a top view of the electric fryer thereof.

FIG. 6 is a bottom view of electric fryer thereof; and,

FIG. 7 is a perspective view of the electric fryer thereof.

The broken lines appearing in the figures are for the purpose of illustrating the structure of the article of the claimed design and form no part of the claimed design.

1 Claim, 7 Drawing Sheets



(56)

References Cited

U.S. PATENT DOCUMENTS

D604,093 S *	11/2009	Moussu	D7/360
D622,093 S	8/2010	Reiner	
D638,251 S	5/2011	Josancy	
D641,586 S *	7/2011	Martin	D7/361
D655,971 S	3/2012	Reiner	
8,230,779 B2 *	7/2012	Yang	99/403
D664,801 S	8/2012	Reiner	
2008/0213447 A1 *	9/2008	Payen et al.	99/348

FOREIGN PATENT DOCUMENTS

CA	132458	8/2010
CA	140923	1/2012
CN	200630015113.5	5/2007
CN	200930193213.0	4/2010
CN	201130198632.0	11/2011
CN	201130198635.4	11/2011
CN	201130436071.3	5/2012

CN	201230622105.2	12/2012
CN	201230622099.0	4/2013
CN	201230645244.7	4/2013
EM	000512298-0001	4/2006
EM	0001162804-0001	9/2009
EM	001278931-0001	6/2011
EM	001278949-0001	6/2011
EM	001330815-0001	6/2012
EM	001333116-0001	7/2012
EM	002187088-0001	2/2013
FR	05 6340	2/2006
FR	09 2453	7/2009
FR	11 1074	4/2011
FR	11 1075	4/2011
RU	81139	3/2012
RU	81680	5/2012
SA	2194	4/2012
TR	2009-05410	11/2009
TR	2011-05305	8/2011
TR	2011-05307	8/2011
TR	2012-07819	4/2013

* cited by examiner

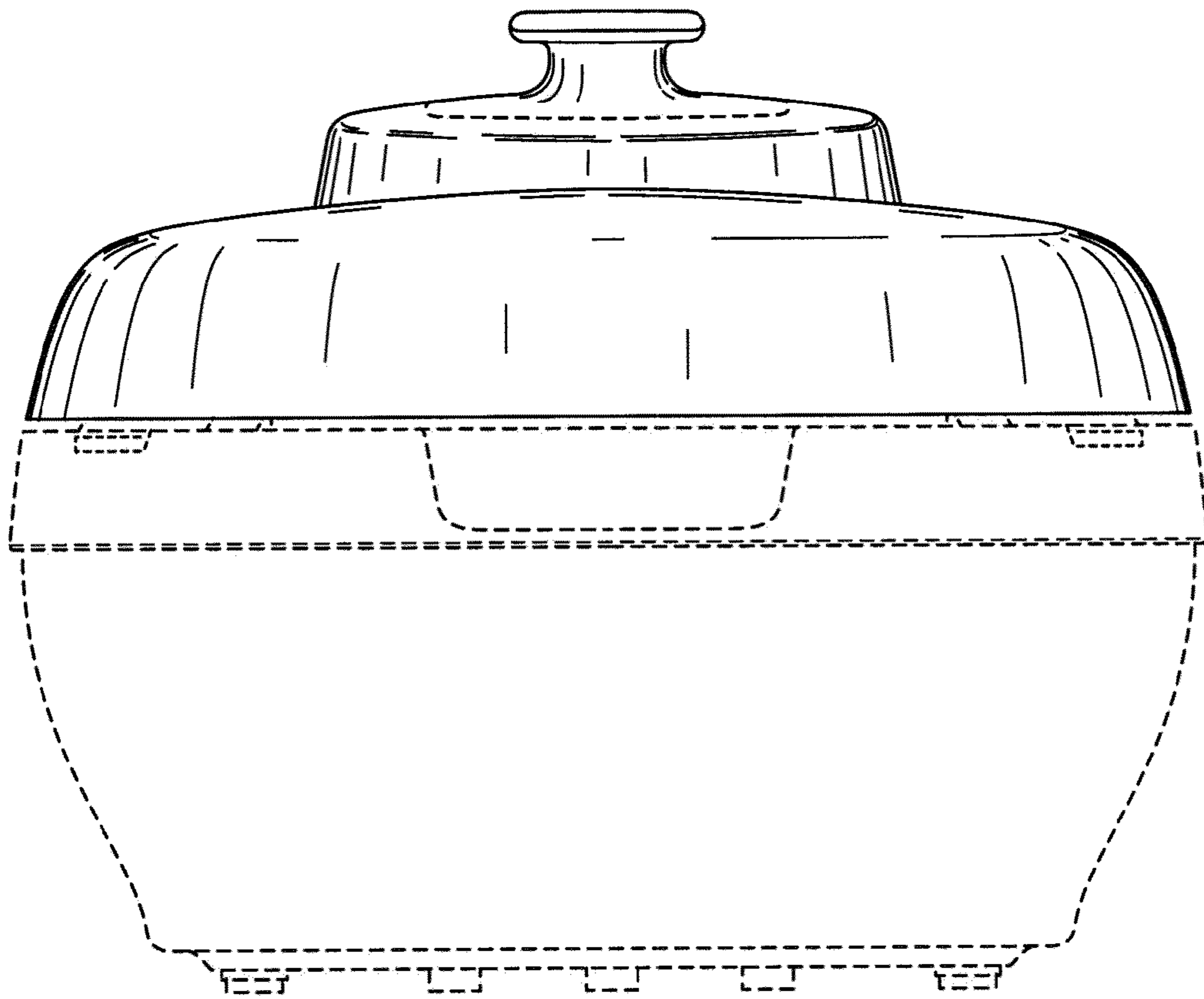


FIG. 1

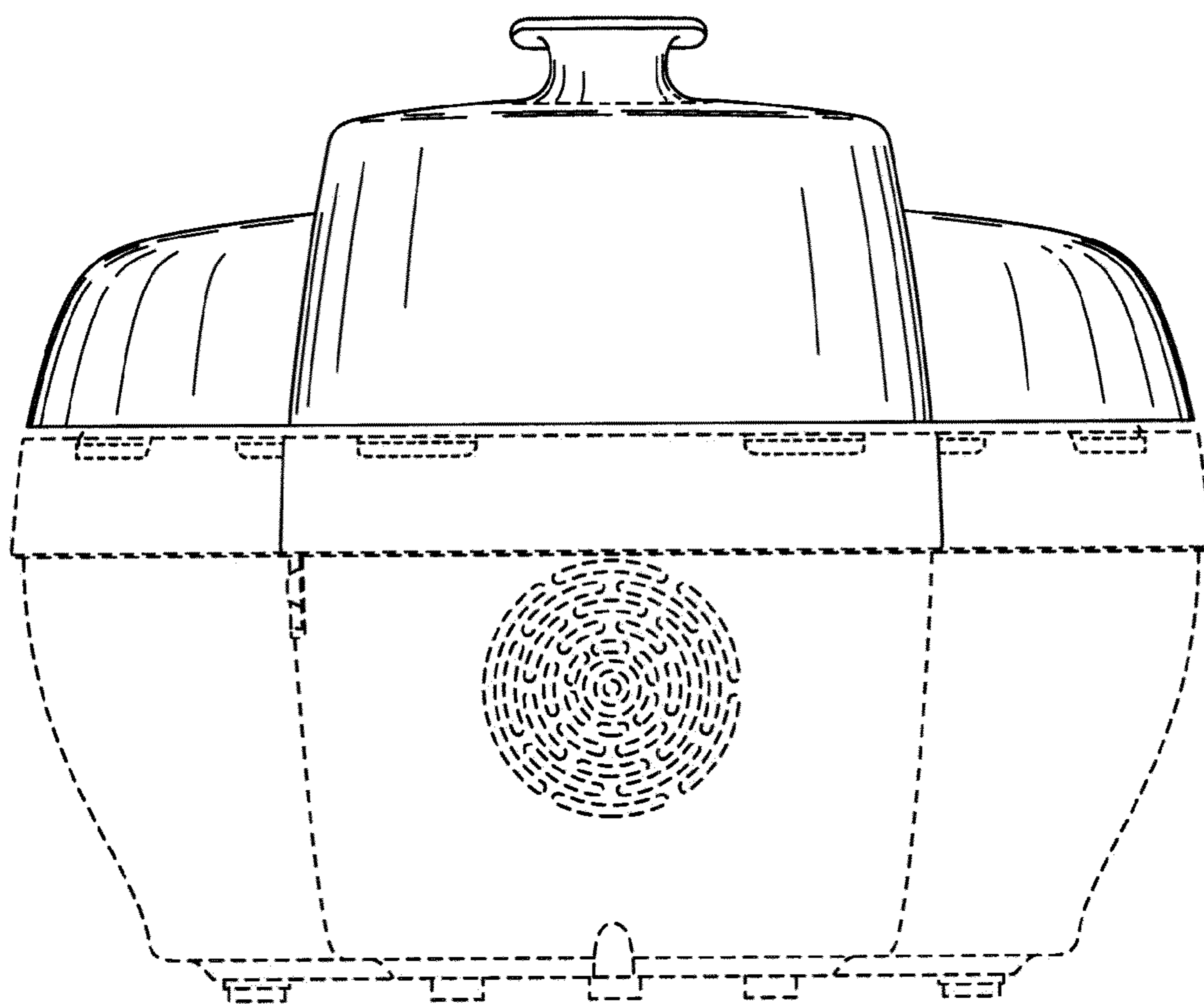


FIG. 2

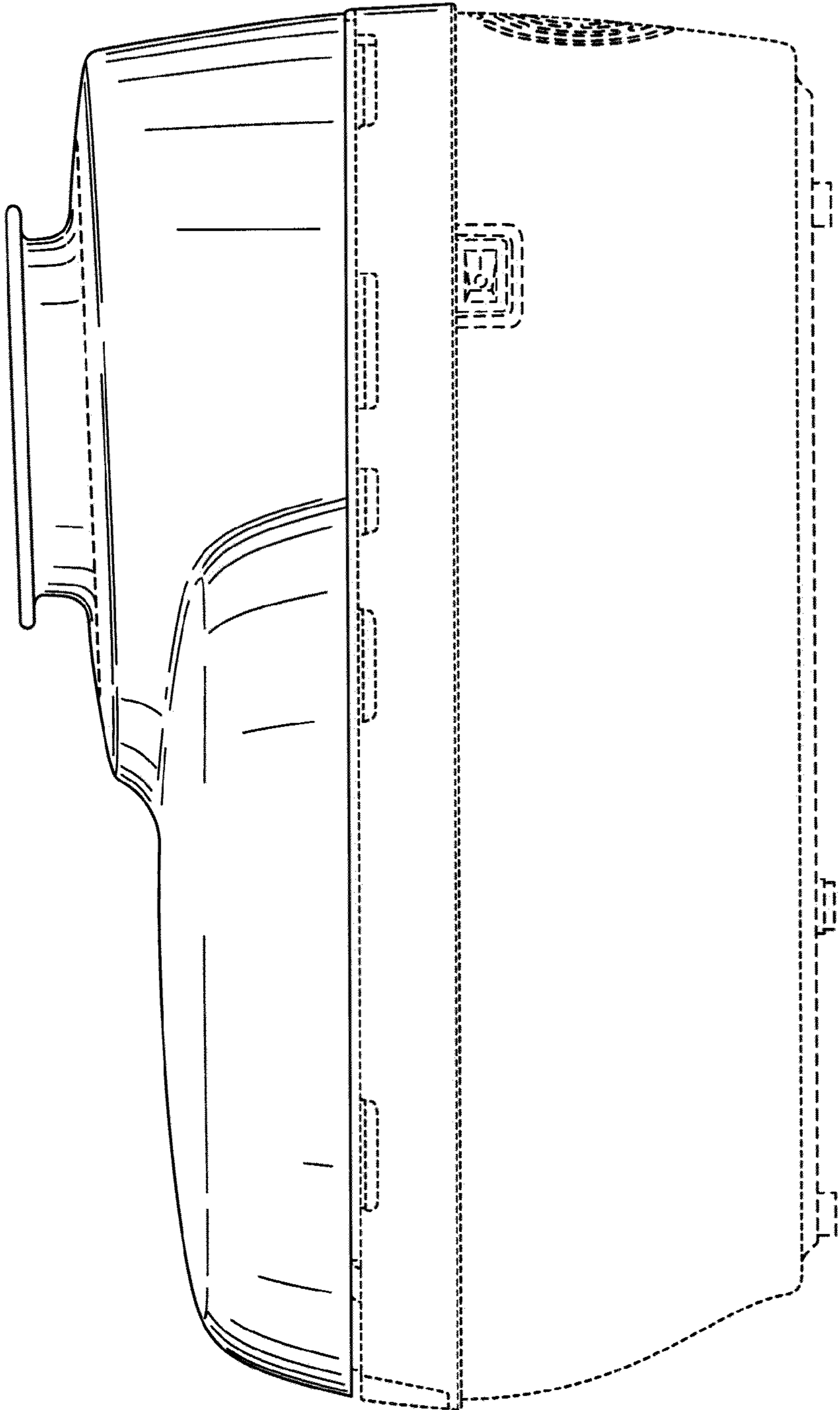


FIG. 3

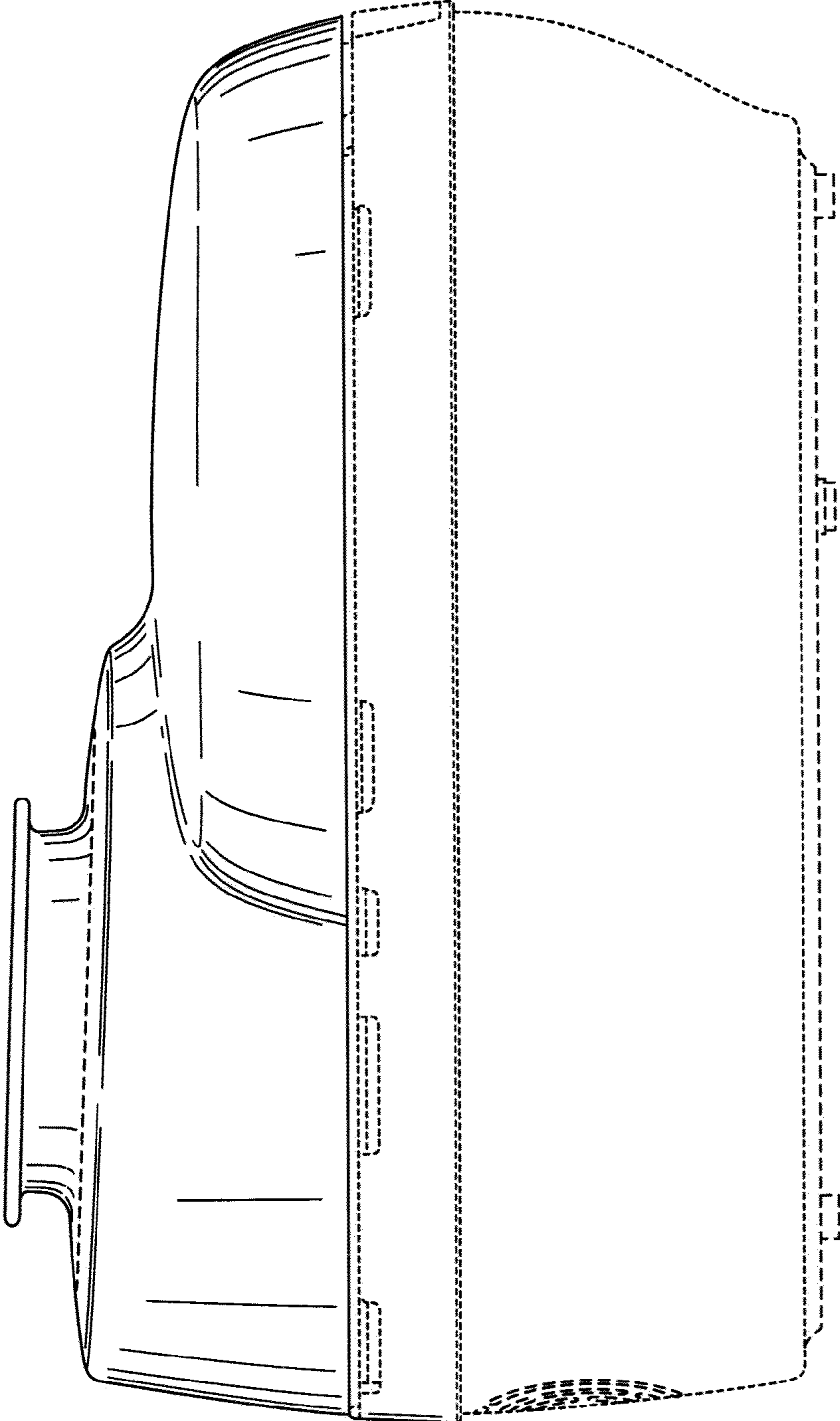


FIG. 4

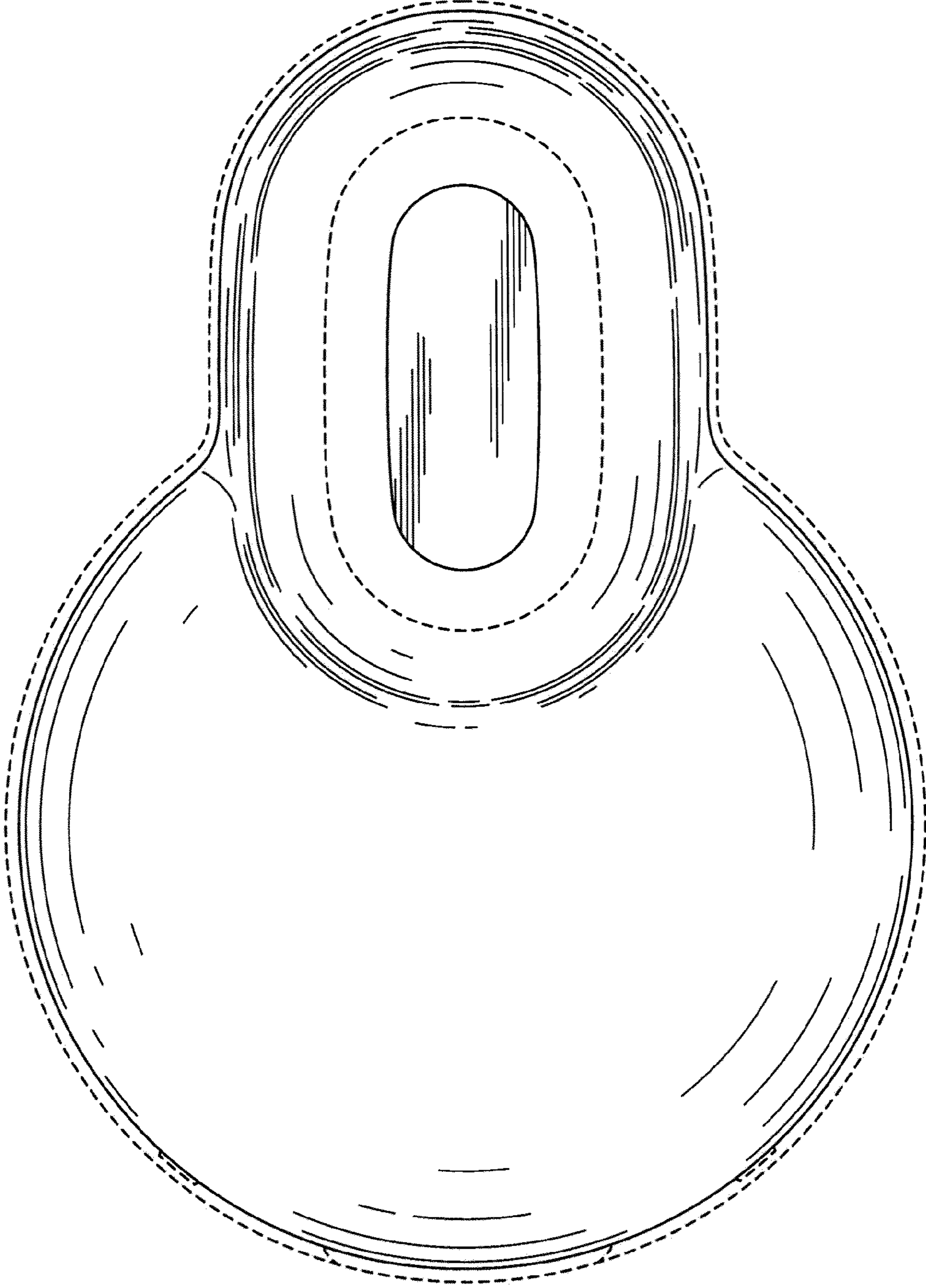


FIG. 5

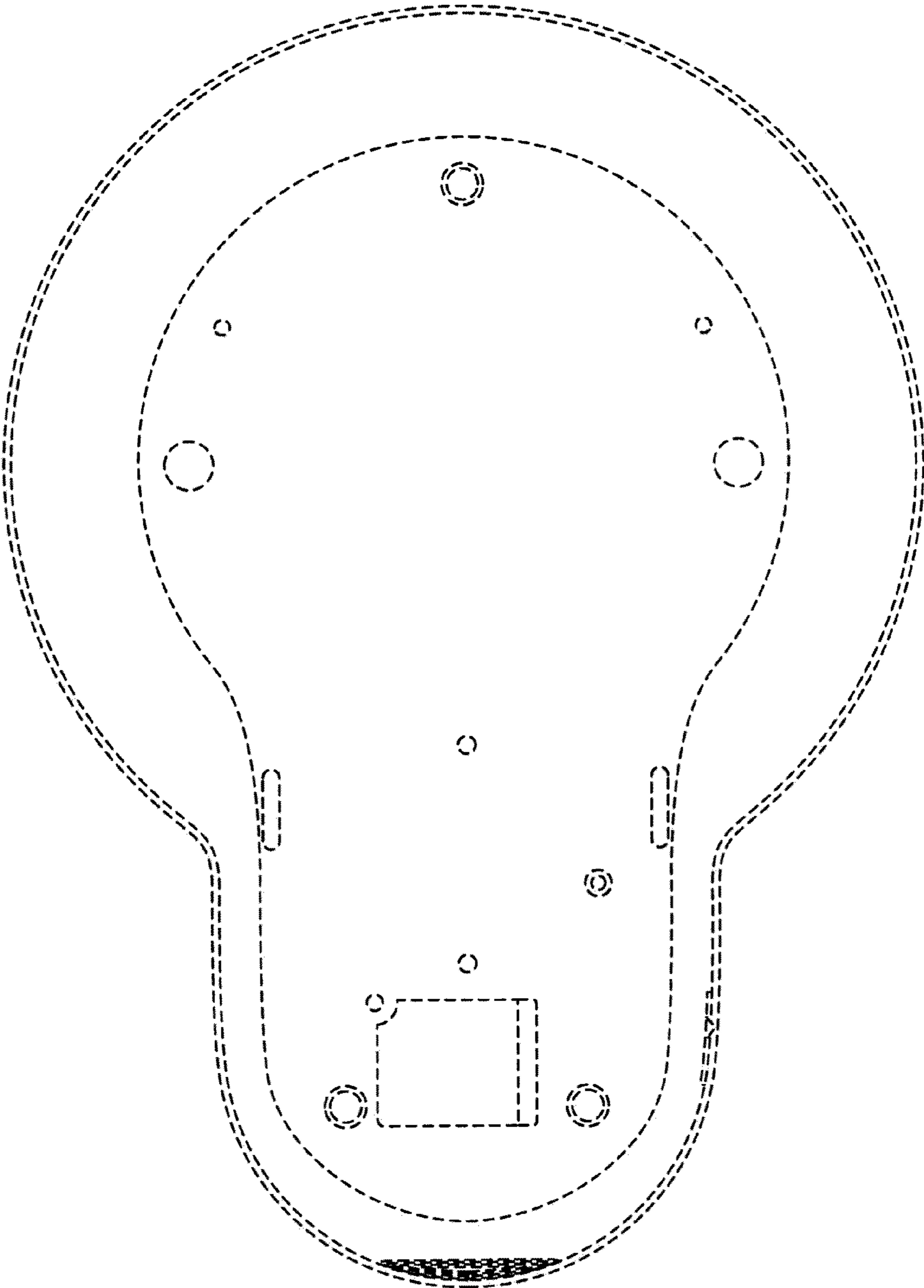


FIG. 6

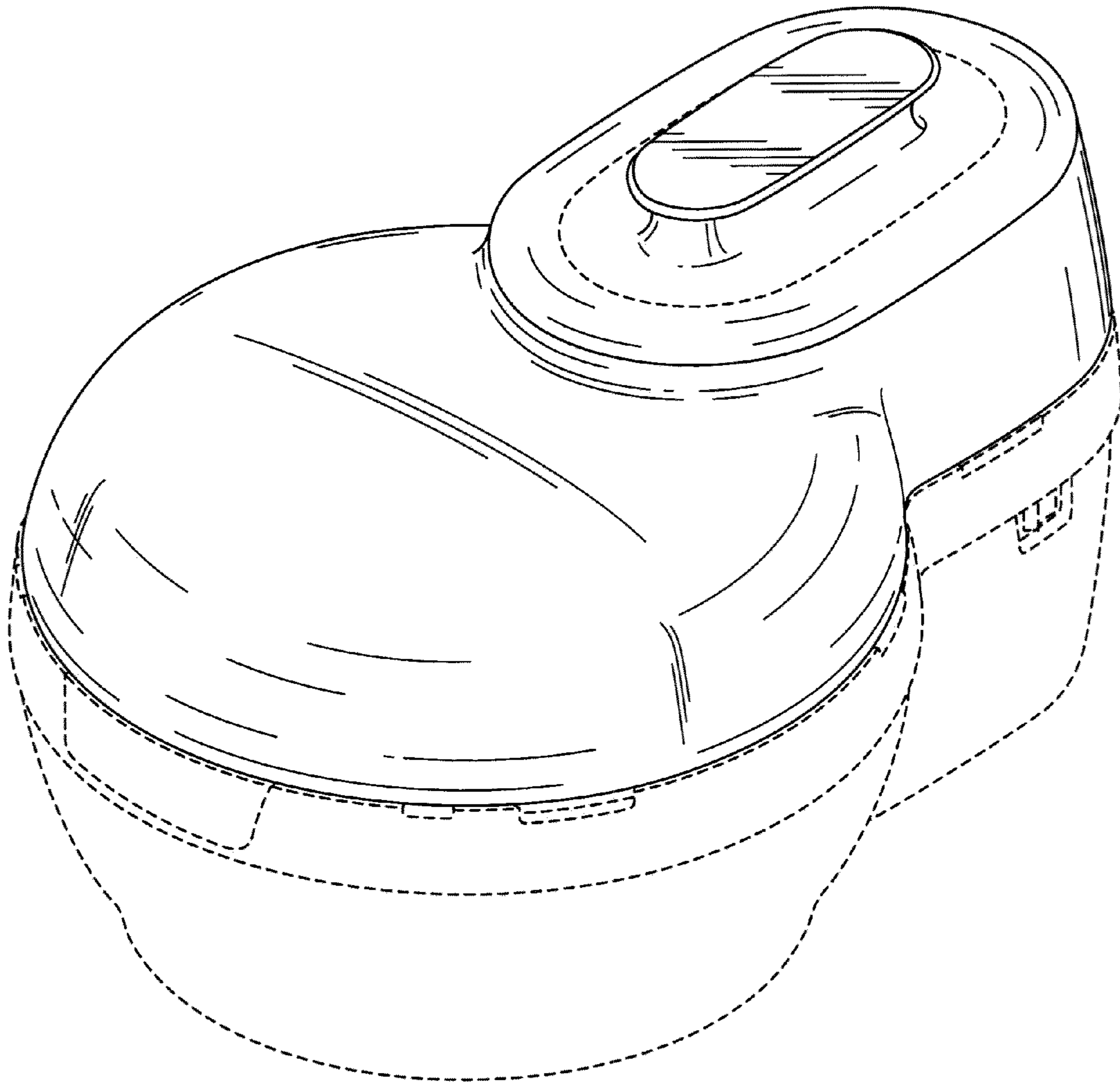


FIG. 7