



US00D710148S

(12) **United States Design Patent**  
**Mainville et al.**

(10) **Patent No.:** **US D710,148 S**

(45) **Date of Patent:** **\*\* Aug. 5, 2014**

(54) **ELECTRICAL BARBEQUE GRILL**

(74) *Attorney, Agent, or Firm* — Nixon Peabody LLP

(75) Inventors: **Patrick Mainville**, Montreal (CA);  
**Athinodoro Chris Kazanas**, Laval  
(CA); **Louis Desmarais**, Montreal (CA);  
**Alexandre Paris**, Varennes (CA); **Joanis**  
**Louloudakis**, Montreal (CA); **Richard**  
**Abbott**, New Boston, NH (US); **Pierre**  
**Marcoux**, Beloeil (CA); **Thomas**  
**Rouayroux**, Montreal (CA); **Antoine**  
**Dallaire**, Montreal (CA); **Richard Pare**,  
Boucherville (CA)

(57) **CLAIM**

The ornamental design for an “electrical barbeque grill,” as shown and described.

(73) Assignee: **Thermoceramix Inc.**, Boston, MA (US)

**DESCRIPTION**

(\*\*) Term: **14 Years**

FIG. 1 is a front perspective of an electrical barbeque grill in its closed position.

(21) Appl. No.: **29/419,570**

FIG. 2 is a bottom perspective of the electrical barbeque grill shown in FIG. 1.

(22) Filed: **Apr. 30, 2012**

FIG. 3 is a top plan view of the electrical barbeque grill shown in FIG. 1.

(51) **LOC (10) Cl.** ..... **07-02**

FIG. 4 is a bottom plan view of the electrical barbeque grill shown in FIG. 1.

(52) **U.S. Cl.**

USPC ..... **D7/402; D7/337**

FIG. 5 is a left end elevation of the electrical barbeque grill shown in FIG. 1.

(58) **Field of Classification Search**

USPC ..... D7/323, 340–348, 402–409, 362, 332,  
D7/337, 361, 334; 126/39 B, 211, 217–218,  
126/214 C, 214 R, 215–216, 9 R; 219/460.1,  
219/506, 404

FIG. 6 is a front elevation of the electrical barbeque grill shown in FIG. 1.

FIG. 7 is a right end elevation of the electrical barbeque grill shown in FIG. 1.

FIG. 8 is a rear elevation of the electrical barbeque grill shown in FIG. 1.

FIG. 9 is a front perspective of the electrical barbeque grill of FIGS. 1-8 in its open position.

FIG. 10 is a right end elevation of the electrical barbeque grill shown in FIG. 9.

FIG. 11 is a left end elevation of the electrical barbeque grill shown in FIG. 9.

FIG. 12 is a front elevation of the electrical barbeque grill shown in FIG. 9.

FIG. 13 is a rear elevation of the electrical barbeque grill shown in FIG. 9.

FIG. 14 is a top plan view of the electrical barbeque grill shown in FIG. 9; and,

FIG. 15 is a bottom plan view of the electrical barbeque grill shown in FIG. 9.

The broken lines are included for the purpose of illustrating portions of the electrical barbeque grill that form no part of the claimed design.

See application file for complete search history.

(56) **References Cited**

U.S. PATENT DOCUMENTS

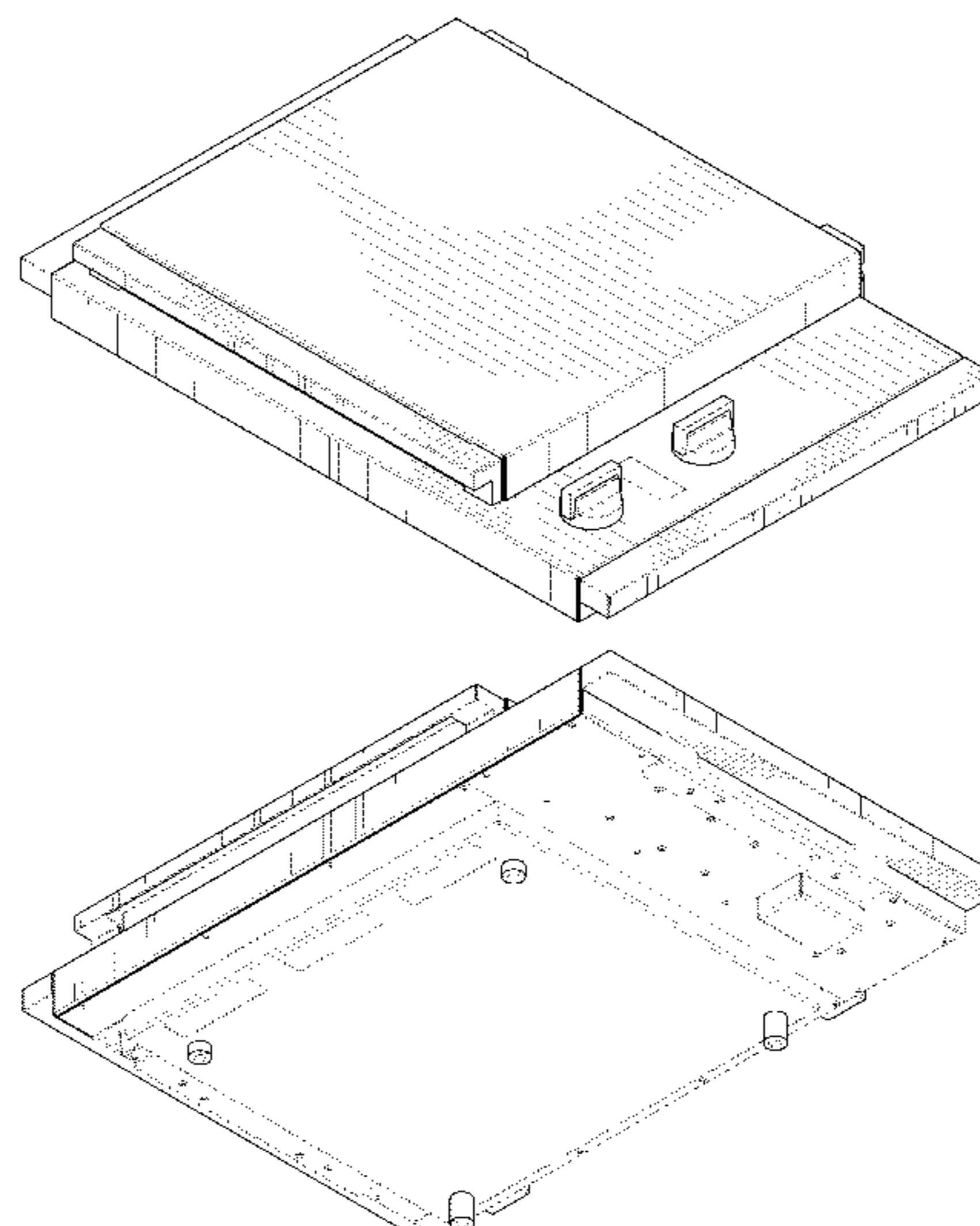
D227,850 S *	7/1973	Benson	.....	D7/337
D253,804 S *	1/1980	Wandel	.....	D7/332
D270,988 S *	10/1983	Anderson	.....	D7/360
4,453,529 A *	6/1984	Spencer et al.	.....	126/9 R
D276,303 S *	11/1984	Chan	.....	D7/337
4,508,096 A *	4/1985	Slattery	.....	126/9 R

(Continued)

*Primary Examiner* — T. Chase Nelson

*Assistant Examiner* — Mark Cavanna

**1 Claim, 9 Drawing Sheets**



(56)

**References Cited**

U.S. PATENT DOCUMENTS

D290,923 S \* 7/1987 Erickson ..... D7/337  
D330,482 S \* 10/1992 Demirjian ..... D7/337  
D375,868 S \* 11/1996 Larson ..... D7/361  
D381,552 S \* 7/1997 Pizzey et al. .... D7/332  
D414,648 S \* 10/1999 Demirjian ..... D7/332

D586,610 S \* 2/2009 Hu ..... D7/337  
D588,394 S \* 3/2009 Marijnissen ..... D7/332  
D619,846 S \* 7/2010 Dunne et al. .... D7/334  
8,053,707 B2 \* 11/2011 Hoyles et al. .... 219/404  
D663,583 S \* 7/2012 Segers et al. .... D7/402  
D678,720 S \* 3/2013 Segers et al. .... D7/402  
D686,443 S \* 7/2013 Morabito ..... D7/350.1

\* cited by examiner

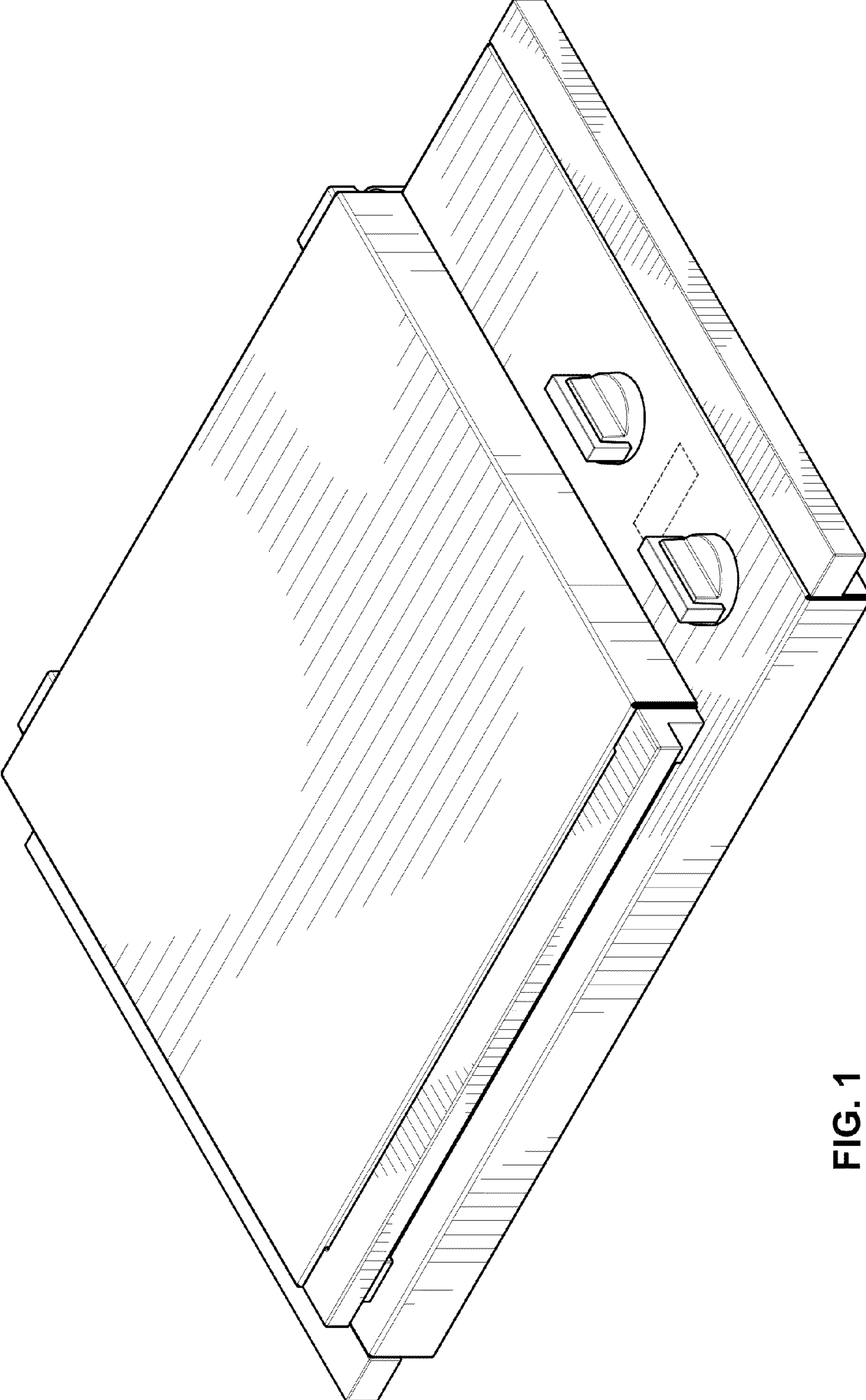


FIG. 1

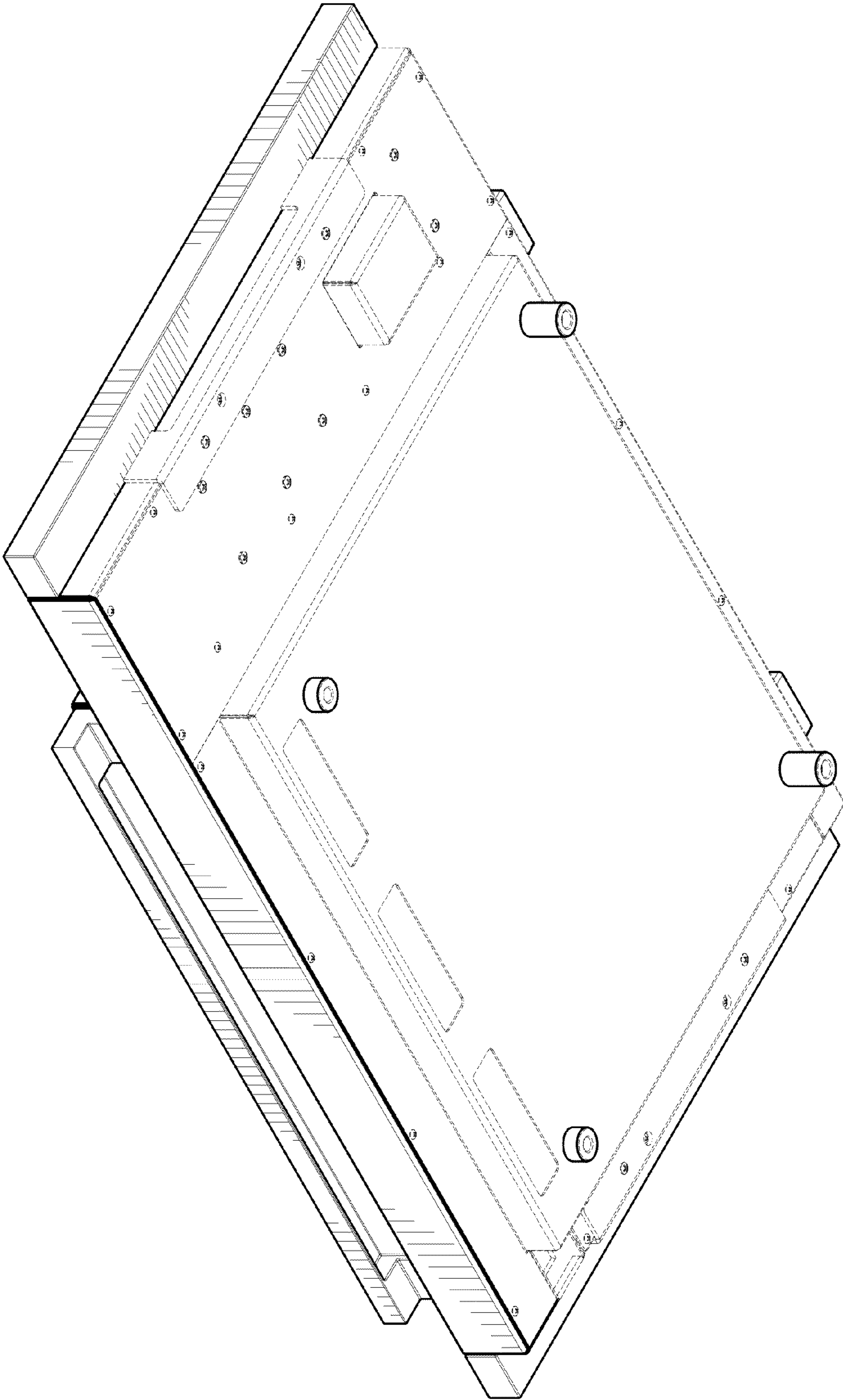


FIG. 2

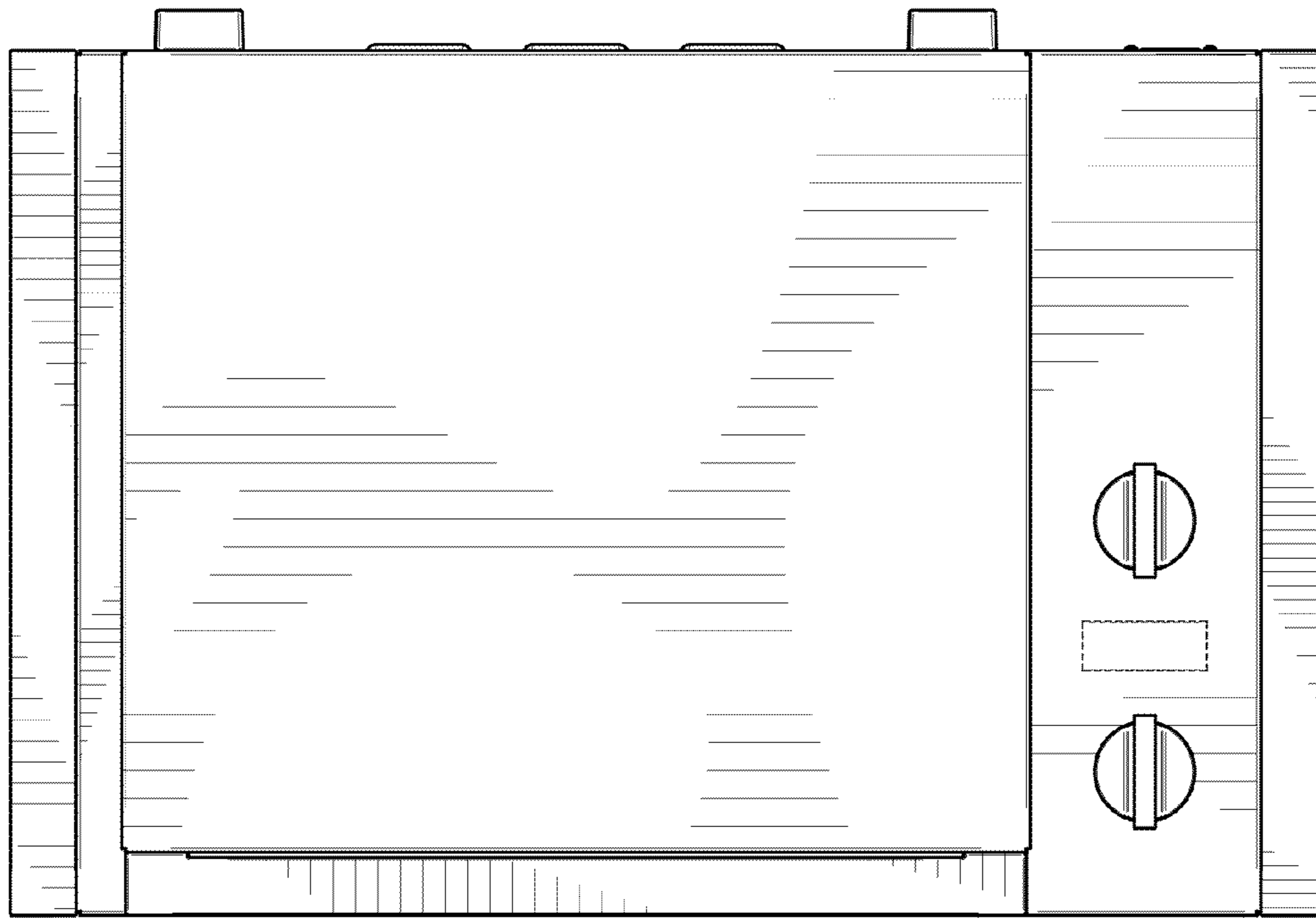


FIG. 3

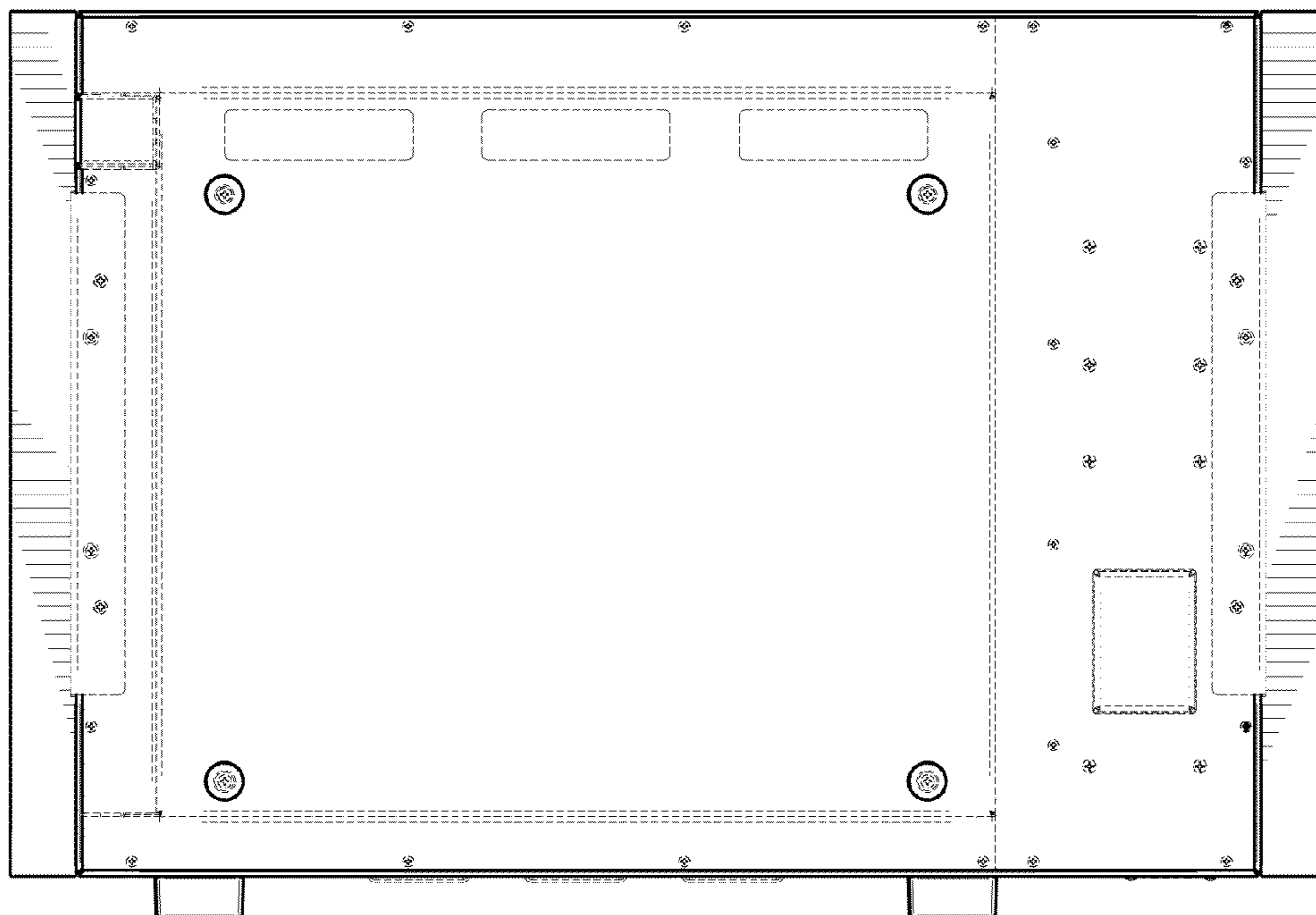


FIG. 4

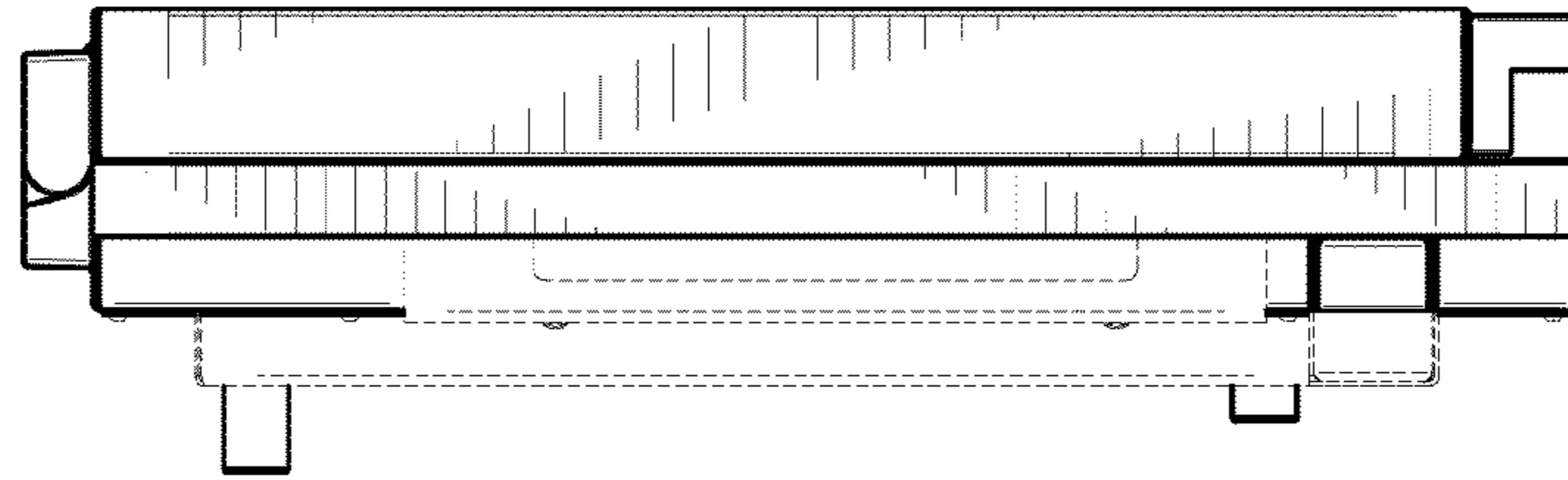


FIG. 5

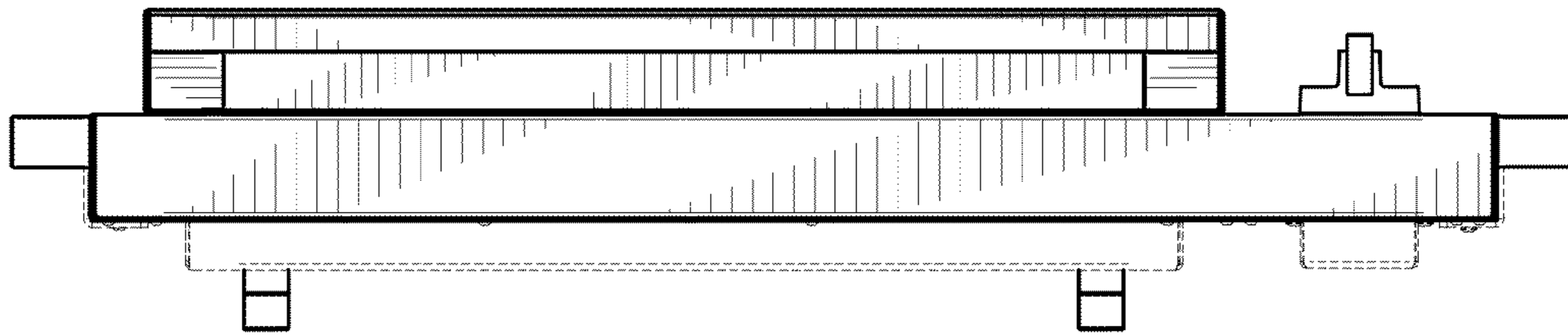


FIG. 6

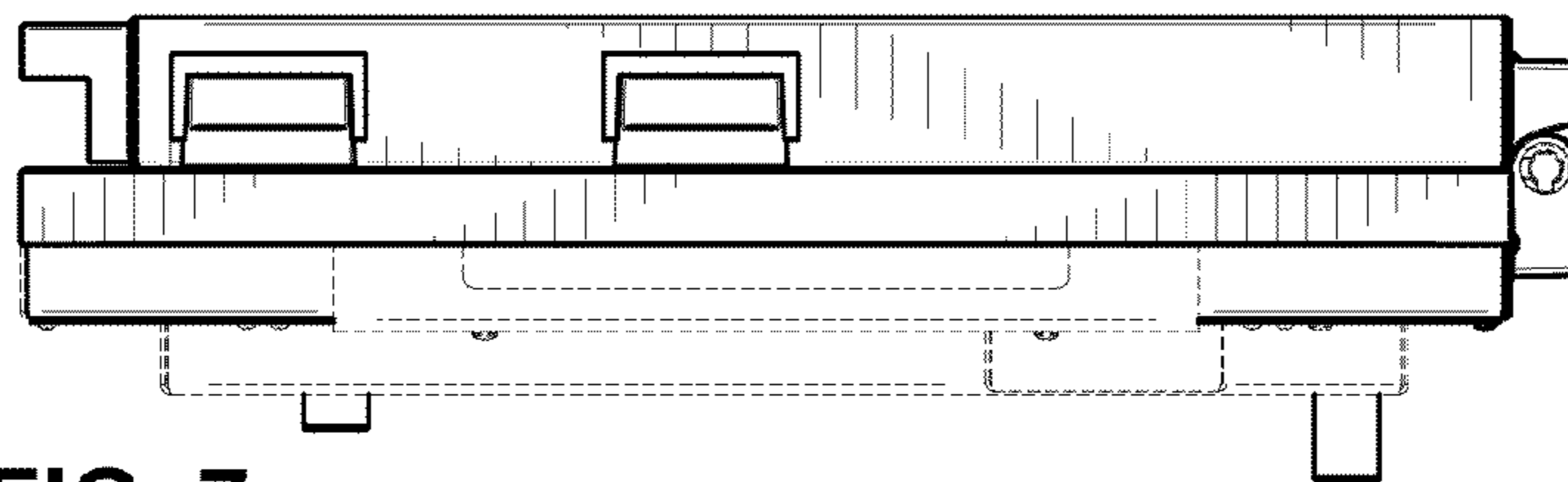


FIG. 7

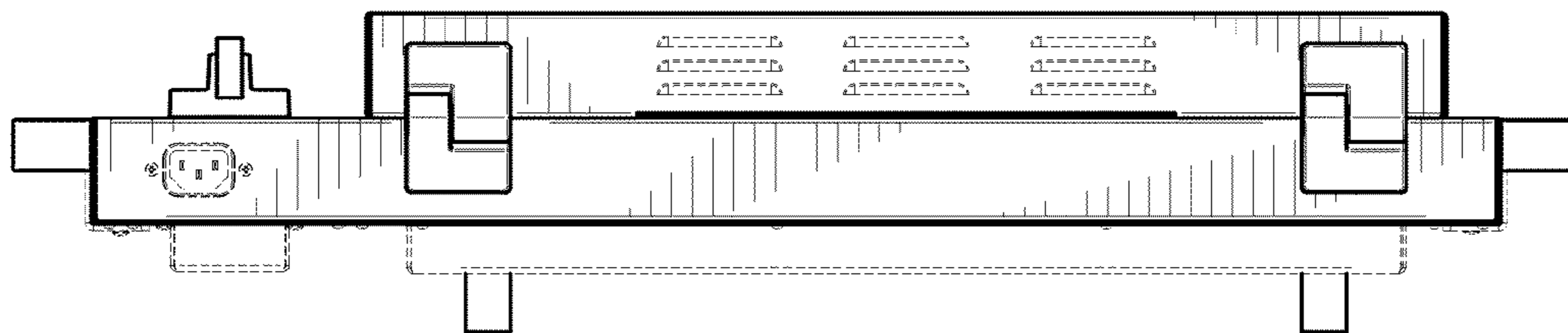


FIG. 8

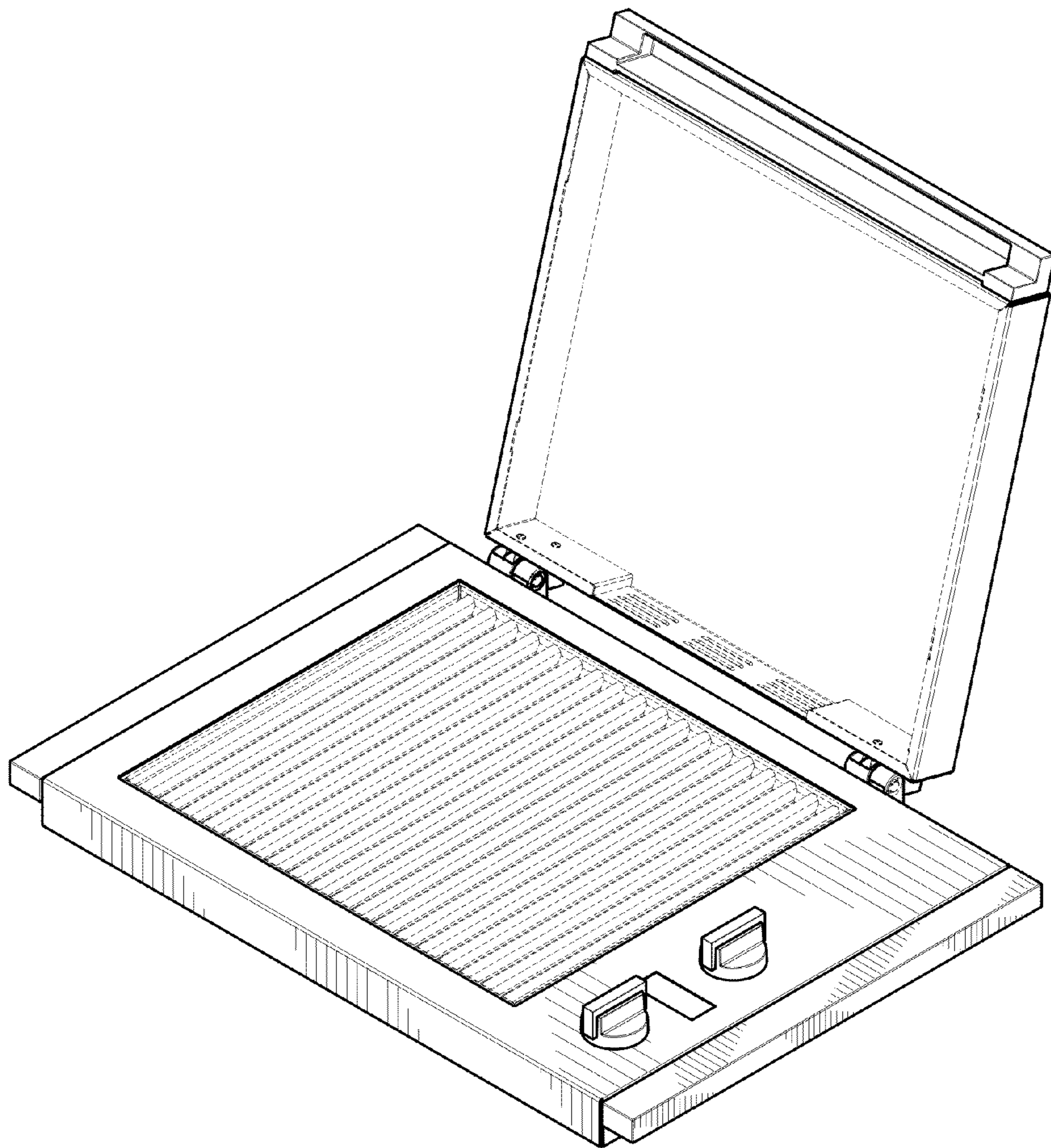


FIG. 9

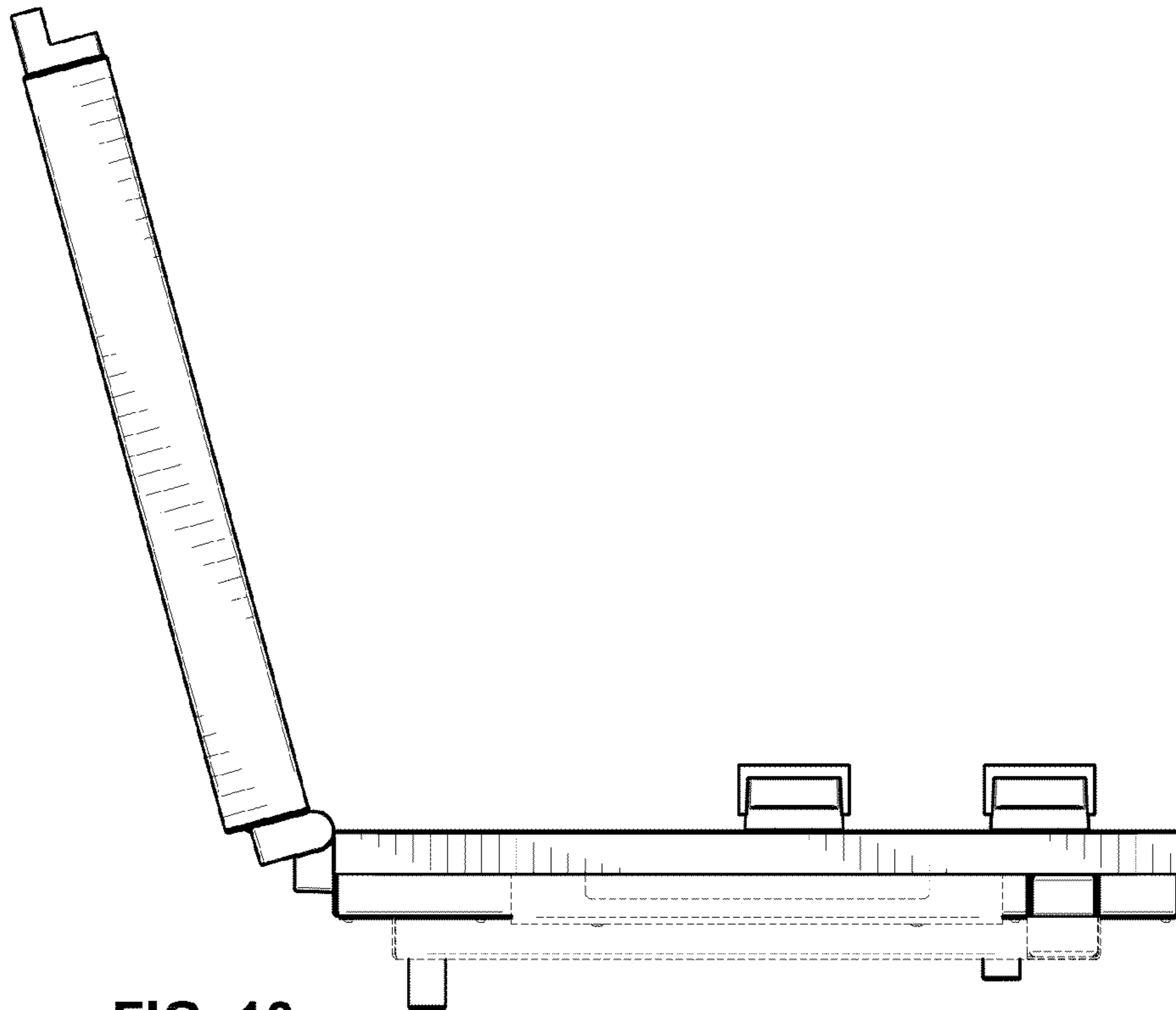


FIG. 10

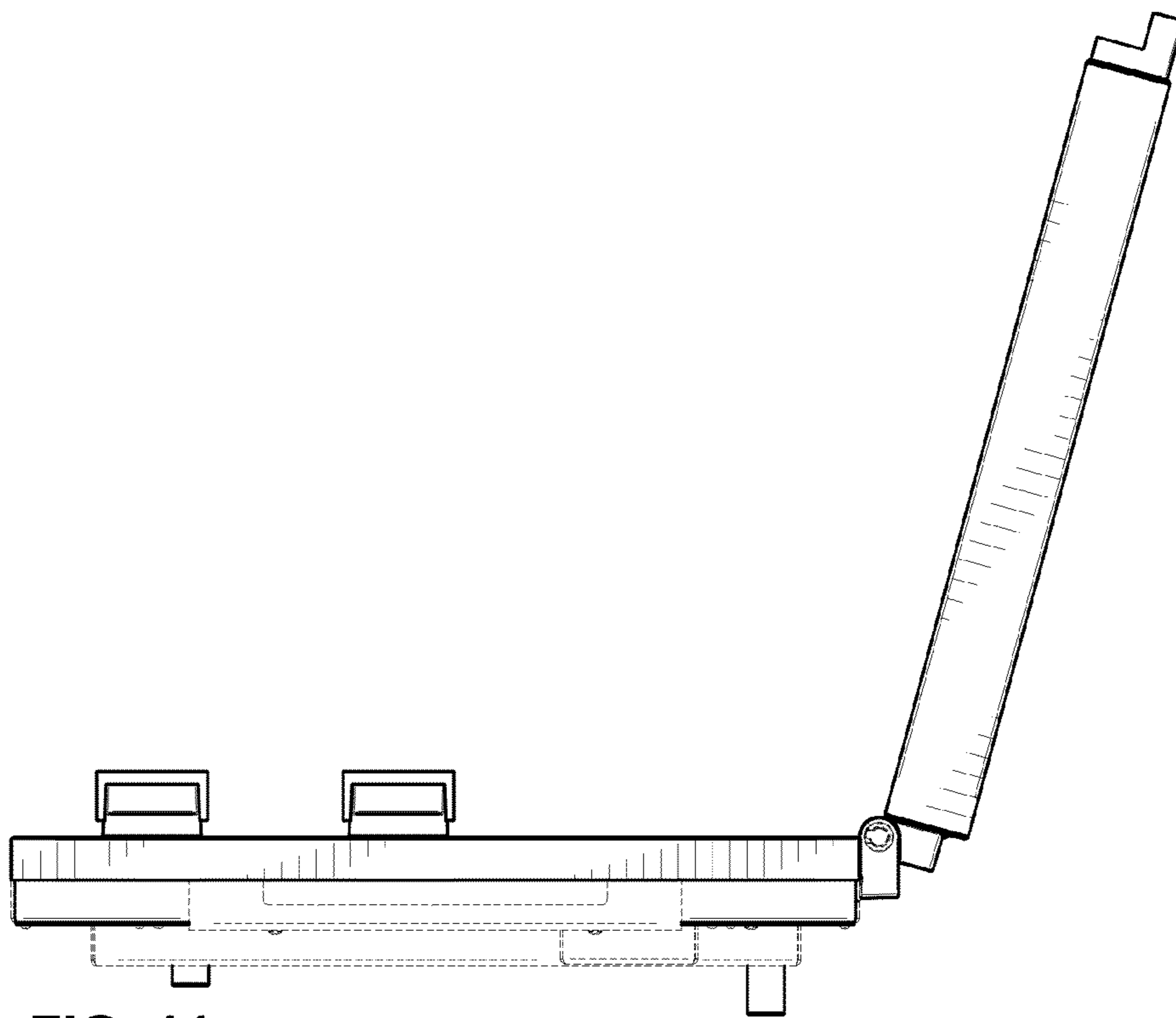


FIG. 11



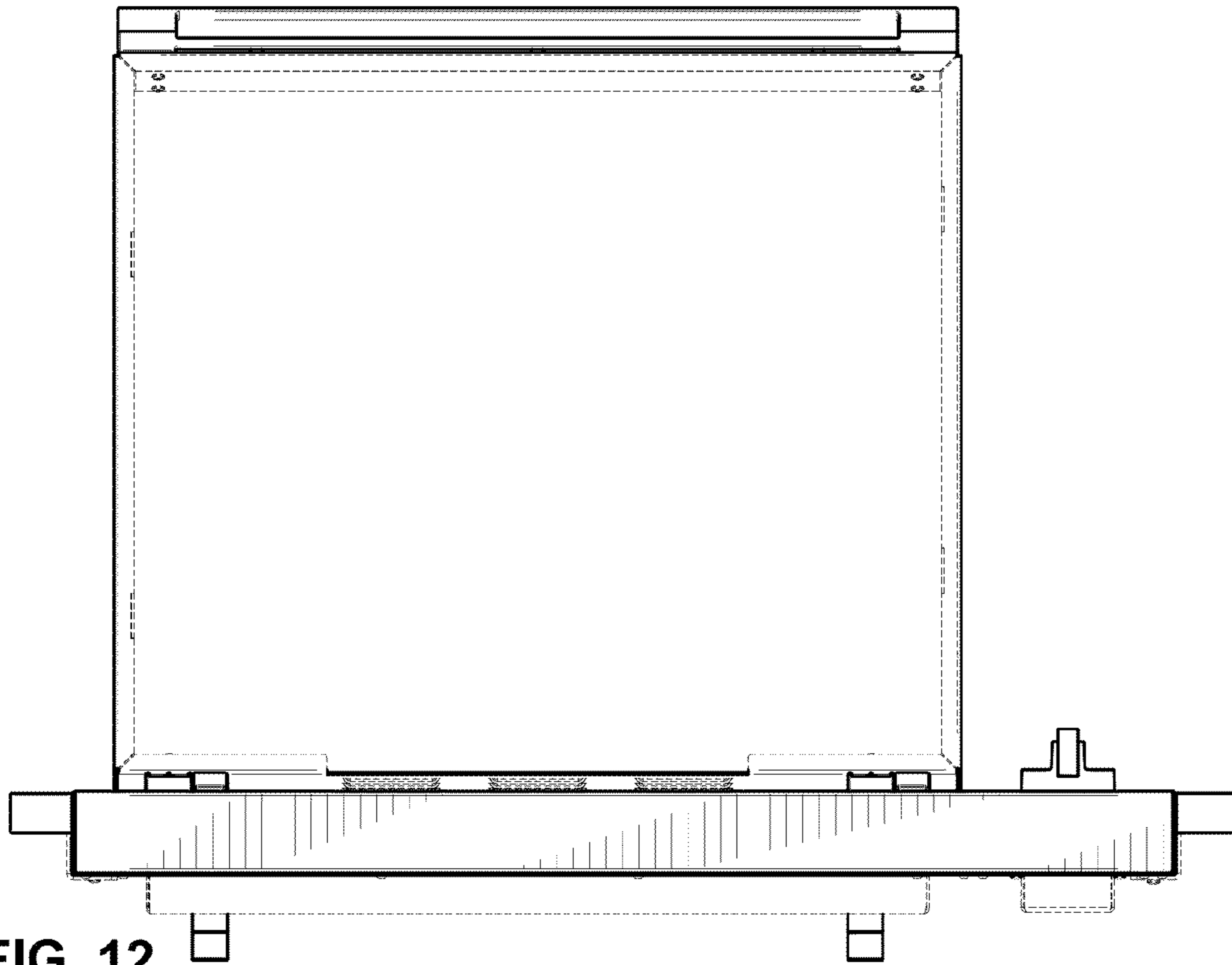


FIG. 12

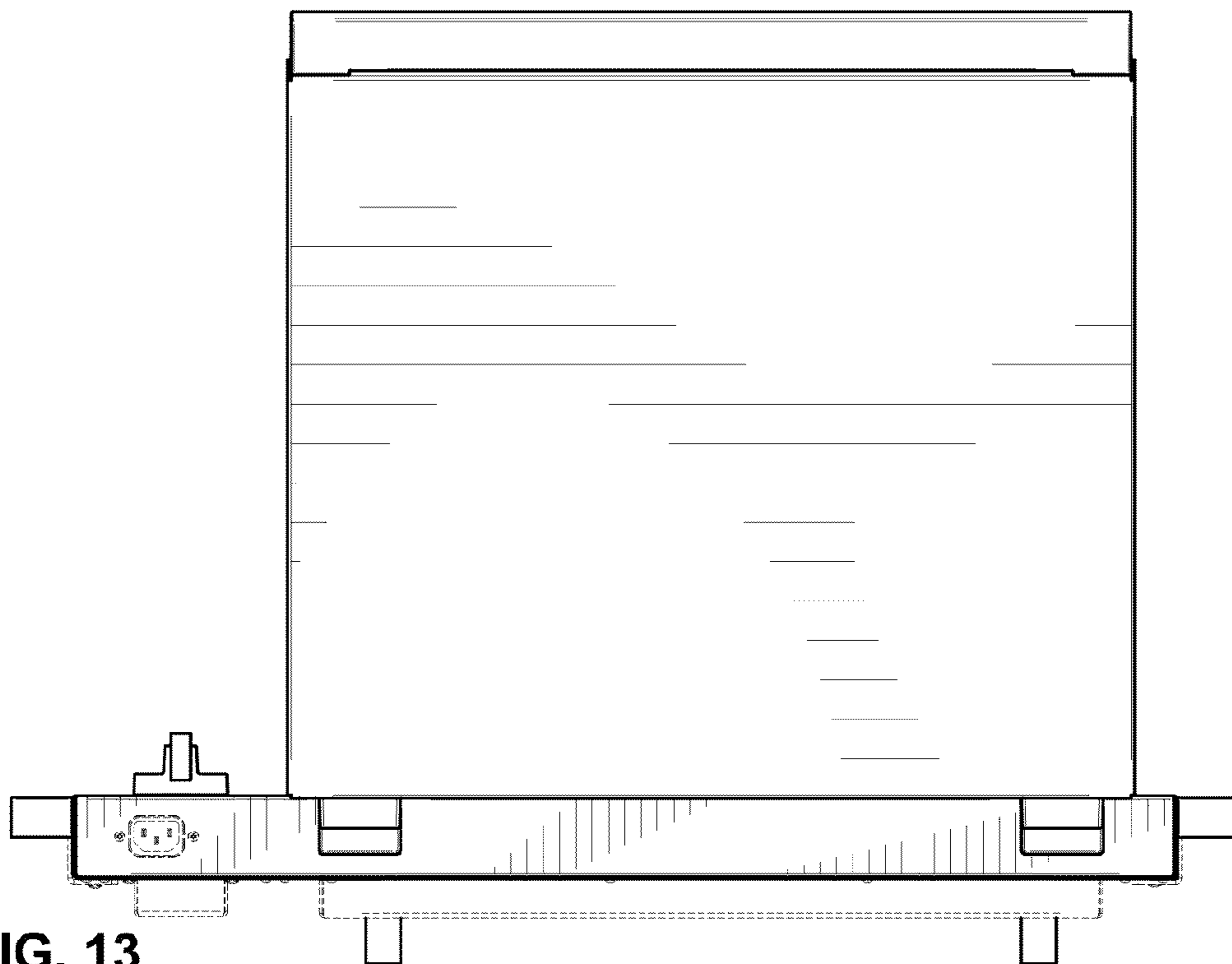


FIG. 13

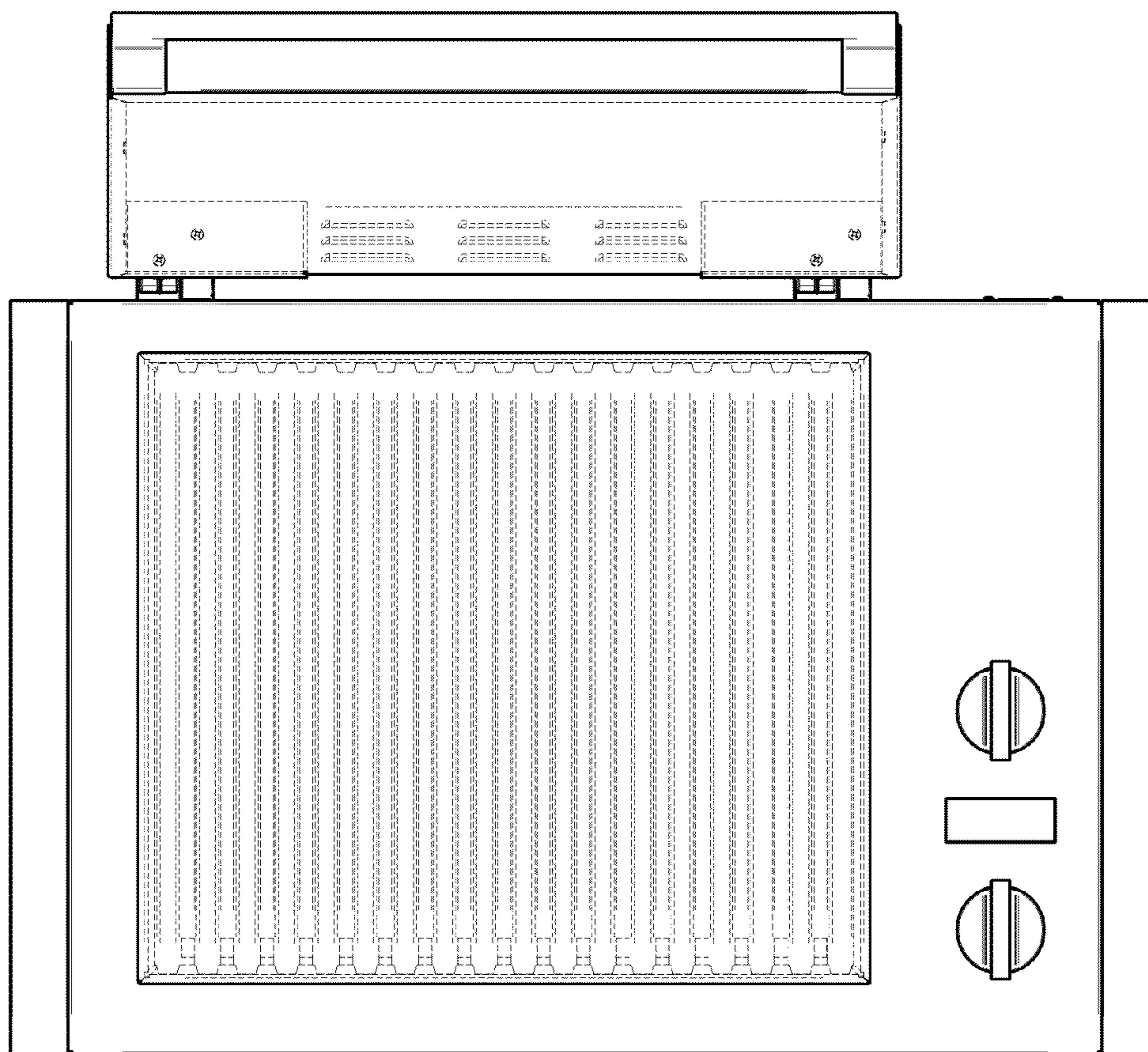


FIG. 14

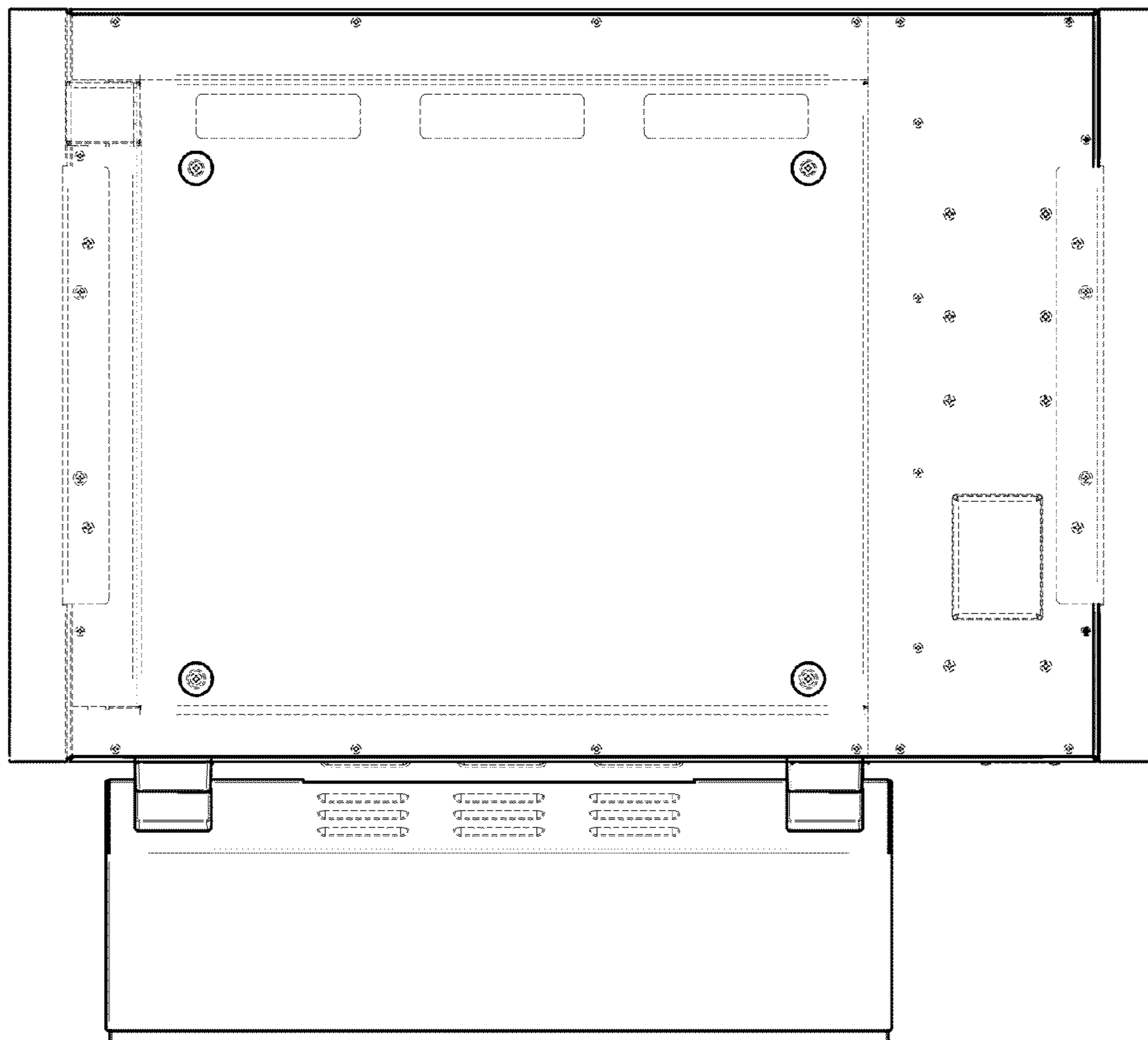


FIG. 15