



US00D710146S

(12) **United States Design Patent**  
**Carlson**

(10) **Patent No.:** **US D710,146 S**

(45) **Date of Patent:** **\*\* \*Aug. 5, 2014**

(54) **LID FOR CONTAINER**

(56) **References Cited**

(71) Applicant: **The Decor Corporation Pty. Ltd.,**  
Scoresby (AU)

U.S. PATENT DOCUMENTS

(72) Inventor: **Arthur Richard Carlson,** Hawthorn  
(AU)

D3,358 S	2/1869	Pratt
D3,357 S	5/1869	Pratt
D117,714 S	11/1939	Guttman
D170,104 S	7/1953	Zabel
3,384,263 A	5/1968	Bernstein
D220,448 S	4/1971	Swett
D224,554 S	8/1972	Swett
D229,916 S	1/1974	Schneider
D232,703 S	9/1974	Konz
D234,568 S	3/1975	Swett
D240,114 S	6/1976	Martinelli
D241,599 S	9/1976	Croyle
D241,703 S	10/1976	Ashton
D267,703 S	1/1983	Chase et al.
D285,906 S	9/1986	Tyler
D287,573 S	1/1987	Tyler
D289,719 S	5/1987	Daenen et al.
D330,660 S	11/1992	Newton et al.

(73) Assignee: **The Decor Corporation Pty Ltd.,**  
Scoresby, Victoria (AU)

(\*) Notice: This patent is subject to a terminal disclaimer.

(\*\*) Term: **14 Years**

(21) Appl. No.: **29/450,738**

(22) Filed: **Mar. 21, 2013**

(51) **LOC (10) Cl.** ..... **07-02**

(52) **U.S. Cl.**  
USPC ..... **D7/391**

(58) **Field of Classification Search**  
USPC ..... D7/307, 323, 329-332, 339, 346-347,  
D7/350.1-350.4, 353-367, 391-392,  
D7/392.1, 393, 395, 402, 406, 409,  
D7/538-542, 610, 629, 709; D9/424, 425,  
D9/429-431, 435, 451-454; 99/324-325,  
99/331-332, 337-343, 369, 400-418, 422,  
99/425, 444, 451, 483; 126/37 R, 261,  
126/374.1, 378.1; 206/501-505, 507-508;  
219/400, 405, 429-442, 620-624, 725,  
219/730-735; 220/203.01-203.05, 203.07,  
220/203.09, 298, 315-316, 573.1-573.5,  
220/784, 790, 793, 912; 426/438, 441

See application file for complete search history.

(Continued)

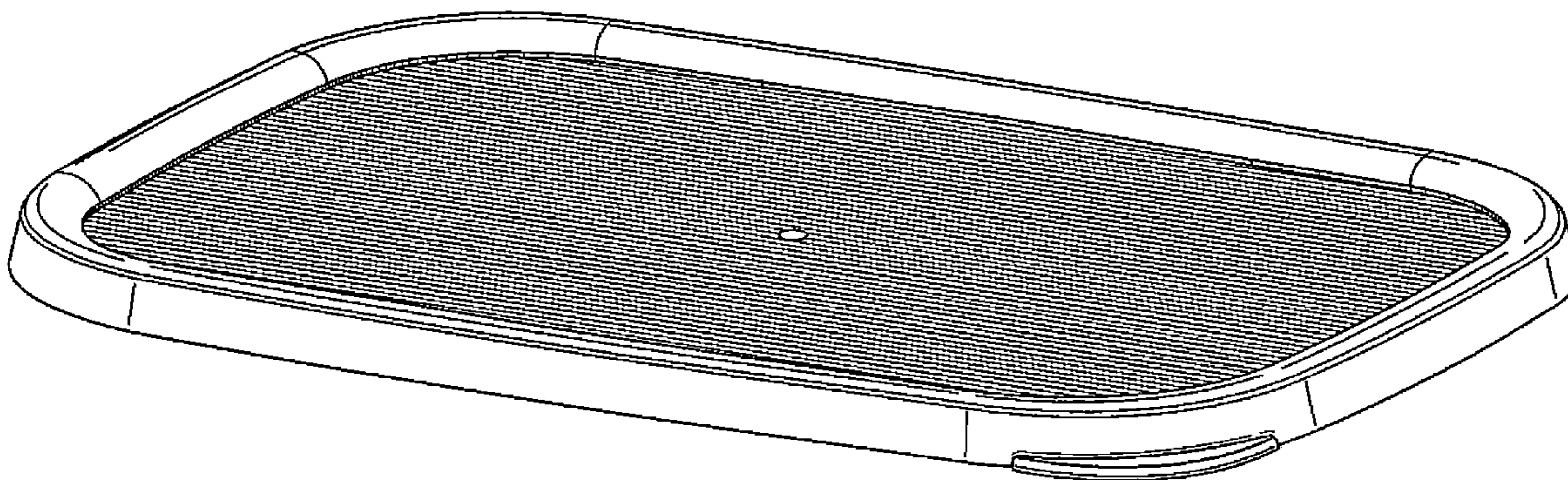
*Primary Examiner* — Ricky Pham  
(74) *Attorney, Agent, or Firm* — Cook Alex Ltd.

(57) **CLAIM**  
The ornamental design for a lid for a container, as shown and described.

**DESCRIPTION**

FIG. 1 is a top perspective view of a lid for container showing my new design;  
FIG. 2 is a top plan view of the claimed design;  
FIG. 3 is a side view of the claimed design, the opposite side is a mirror image;  
FIG. 4 is bottom view of the claim design;  
FIG. 5 is a sectional view taken along the section line 5-5 of FIG. 2;  
FIG. 6 is a detail view showing the portion designated by the circular section line designated "FIG. 6" of FIG. 2; and,  
FIG. 7 is a detail view showing the portion designated by the circular section line designated "FIG. 7" of FIG. 5.

**1 Claim, 4 Drawing Sheets**



(56)

References Cited

U.S. PATENT DOCUMENTS

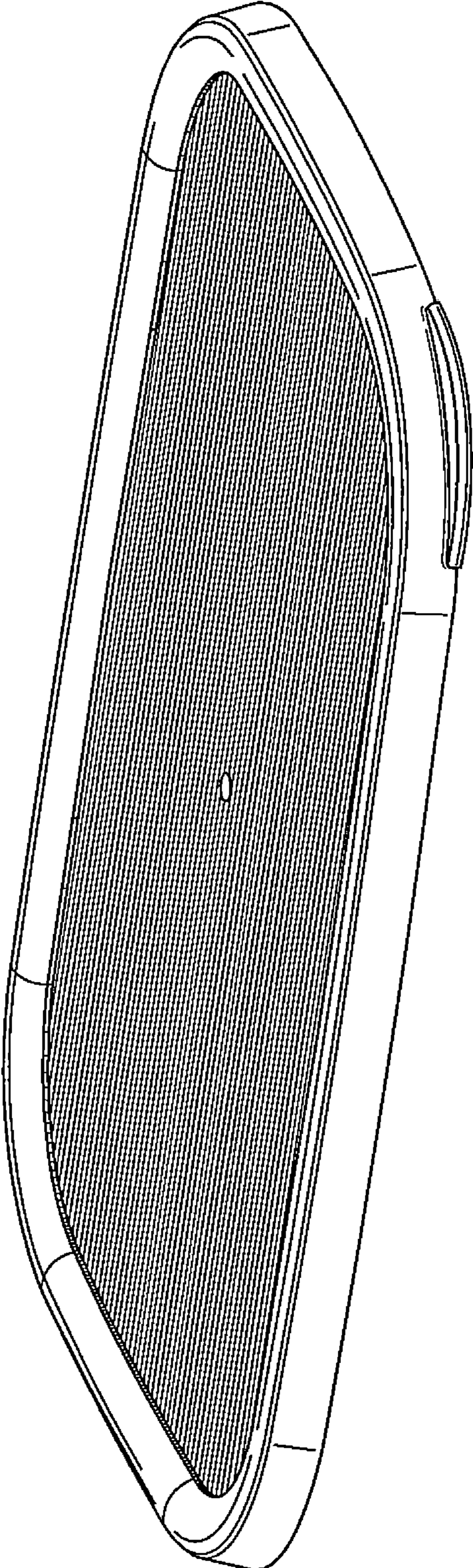
D351,791 S 10/1994 Morris, Sr.  
 D354,655 S 1/1995 Daenen et al.  
 5,377,860 A \* 1/1995 Littlejohn et al. .... 220/790  
 D358,328 S 5/1995 Huerto et al.  
 D360,105 S \* 7/1995 Doxey ..... D7/391  
 D365,273 S 12/1995 Indekeu  
 D375,654 S 11/1996 Ferris  
 D388,325 S \* 12/1997 Tucker et al. .... D9/425  
 D390,109 S \* 2/1998 Tucker et al. .... D9/425  
 D403,582 S 1/1999 Nask et al.  
 D403,583 S 1/1999 Nask et al.  
 D443,798 S \* 6/2001 Tucker et al. .... D7/629  
 D445,649 S \* 7/2001 Maxwell et al. .... D7/629  
 D446,117 S 8/2001 Conti  
 D465,382 S \* 11/2002 Wolf et al. .... D7/392.1  
 D485,468 S \* 1/2004 Roth et al. .... D7/392.1  
 D489,975 S \* 5/2004 Jackson et al. .... D9/425  
 D505,840 S \* 6/2005 Schultz et al. .... D7/629  
 6,910,599 B2 \* 6/2005 Tucker et al. .... 220/793  
 D512,278 S \* 12/2005 Schultz et al. .... D7/629  
 D516,859 S \* 3/2006 Zettle et al. .... D7/392.1  
 D521,380 S \* 5/2006 Jackson et al. .... D9/435  
 D536,249 S 2/2007 Smith et al.  
 D540,669 S 4/2007 George et al.  
 D541,648 S \* 5/2007 Bennett et al. .... D9/425

D547,115 S \* 7/2007 Bouveret et al. .... D7/392.1  
 D551,496 S \* 9/2007 Ablo et al. .... D7/392.1  
 D551,515 S \* 9/2007 Ablo et al. .... D7/629  
 D571,200 S 6/2008 Bouveret et al.  
 D584,145 S 1/2009 Young  
 D585,699 S \* 2/2009 Furlong ..... D7/392.1  
 D587,567 S \* 3/2009 Peyser et al. .... D9/424  
 D588,914 S 3/2009 Laurieu-Tedeschi  
 D593,855 S 6/2009 Scheve  
 D611,807 S \* 3/2010 Miga, Jr. .... D9/424  
 D615,349 S \* 5/2010 Furlong ..... D7/392.1  
 D642,049 S 7/2011 Samartgis  
 D642,050 S 7/2011 Samartgis  
 D642,051 S 7/2011 Samartgis  
 D642,052 S 7/2011 Samartgis  
 D642,457 S 8/2011 Samartgis  
 D642,458 S 8/2011 Samartgis  
 D642,861 S 8/2011 Samartgis  
 D642,905 S 8/2011 Samartgis  
 D642,906 S 8/2011 Samartgis  
 D642,907 S 8/2011 Samartgis  
 D643,710 S 8/2011 Samartgis  
 D643,711 S 8/2011 Samartgis  
 D643,712 S 8/2011 Samartgis  
 D677,568 S \* 3/2013 Sina ..... D9/451  
 D686,450 S \* 7/2013 Yessin et al. .... D7/392.1  
 D689,363 S \* 9/2013 Sundy et al. .... D9/429  
 D692,297 S \* 10/2013 Wintmolders et al. .... D9/431

\* cited by examiner



Fig. 1



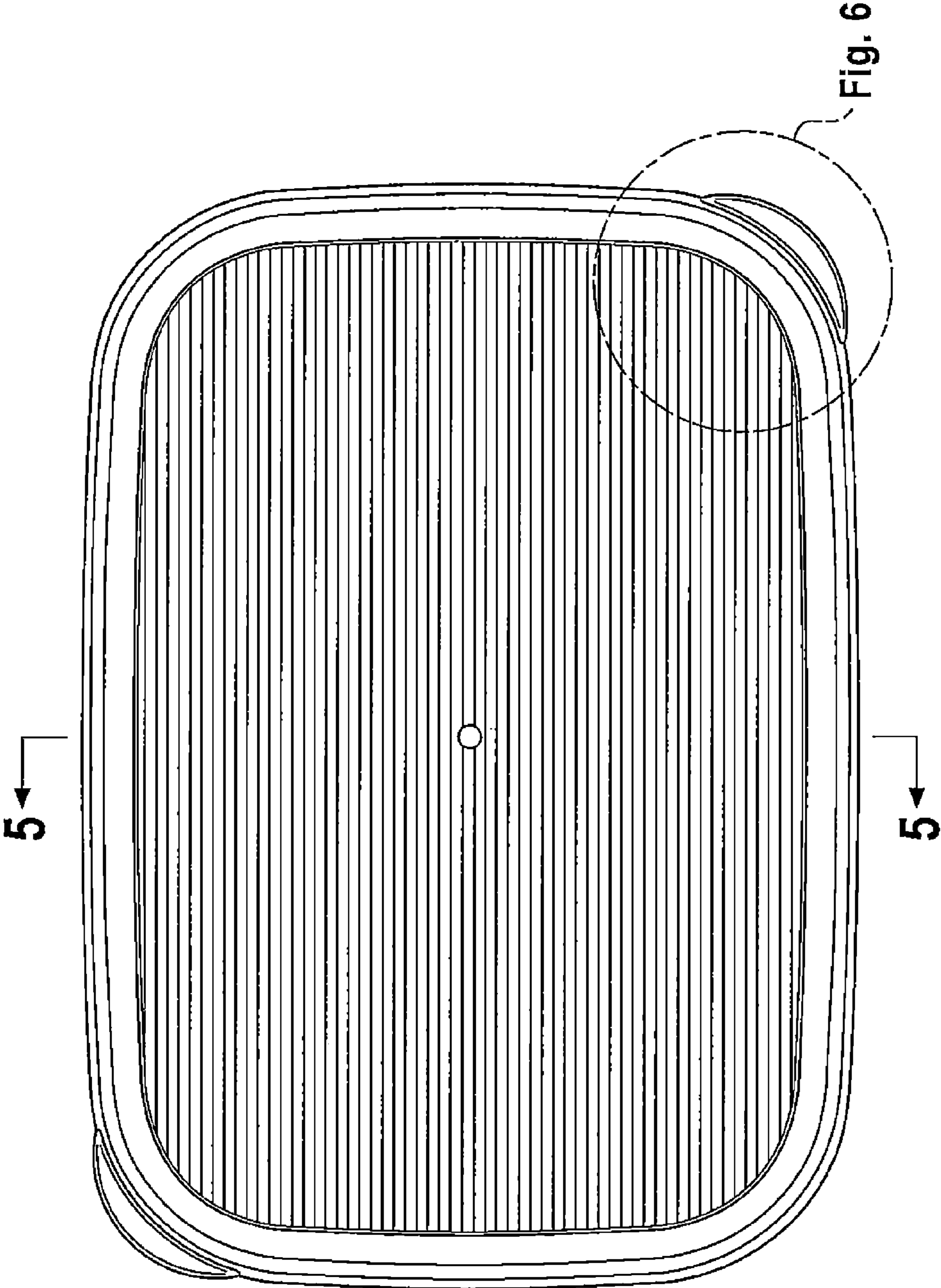


Fig. 2

Fig. 3



Fig. 4

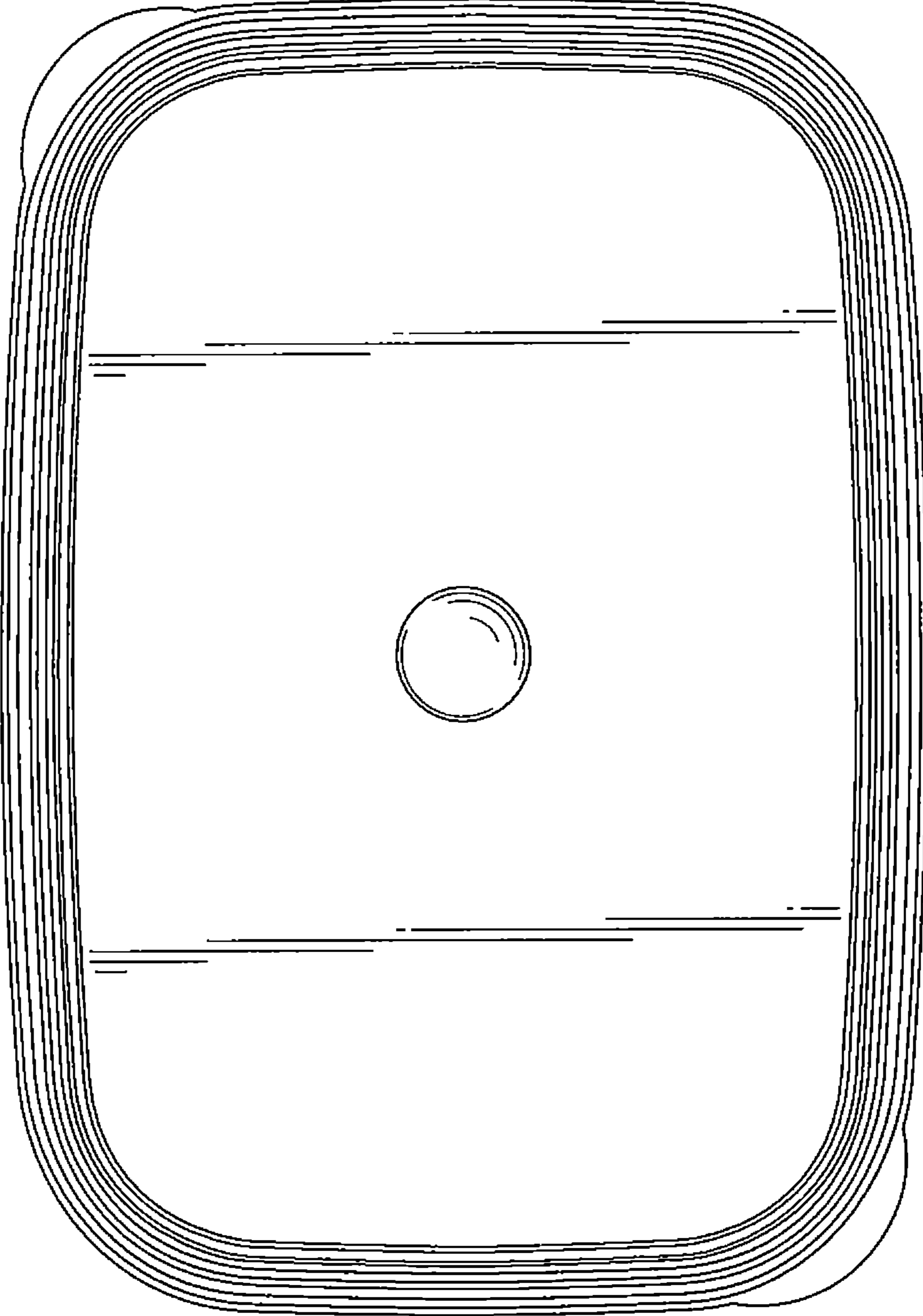


Fig. 5

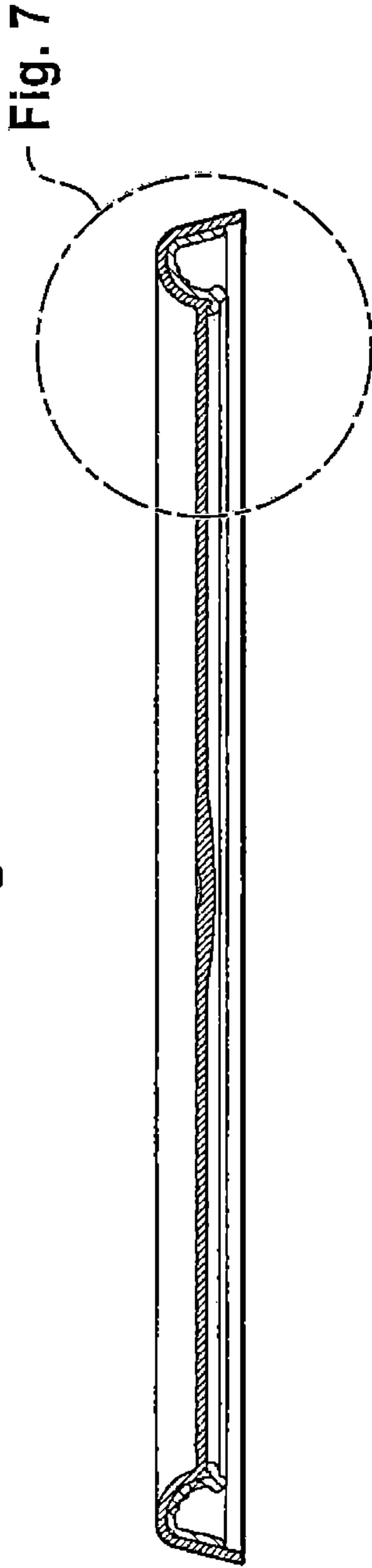


Fig. 6

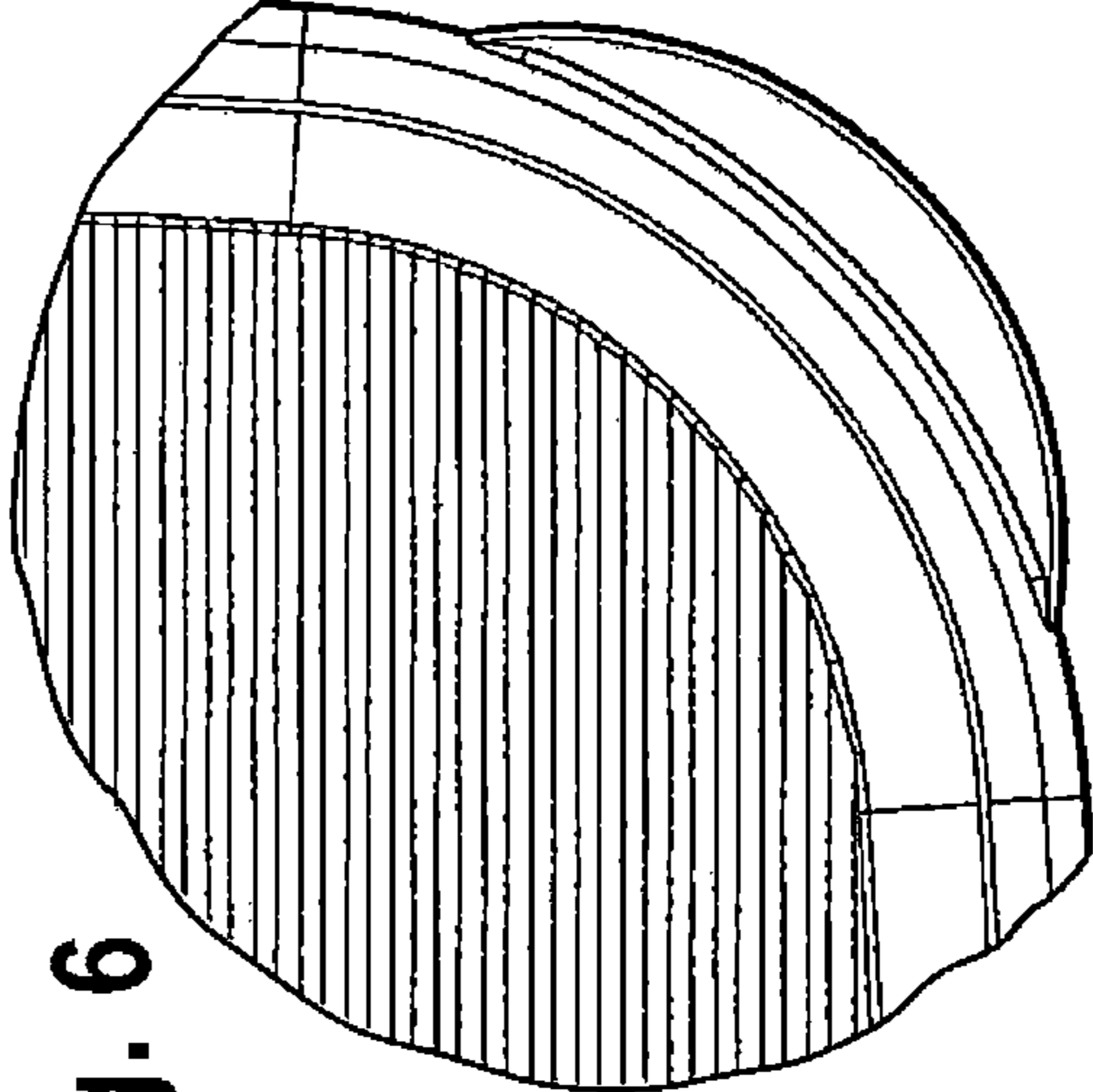


Fig. 7

