



US00D710145S

(12) **United States Design Patent**  
**Repac**

(10) **Patent No.:** **US D710,145 S**

(45) **Date of Patent:** **\*\* Aug. 5, 2014**

(54) **FOOD CUTTER**

D530,995 S \* 10/2006 Jalet et al. .... D7/693  
7,422,169 B2 \* 9/2008 Mueller ..... 241/168  
D581,749 S \* 12/2008 de Groot ..... D7/678

(71) Applicant: **Cedomir Repac**, Brechen (DE)

(72) Inventor: **Cedomir Repac**, Brechen (DE)

(73) Assignee: **Genius GmbH**, Limburg (DE)

(\*\*) Term: **14 Years**

(21) Appl. No.: **29/443,104**

(22) Filed: **Jan. 14, 2013**

(30) **Foreign Application Priority Data**

Jul. 19, 2012 (DE) ..... 40 2012 003 305

(51) **LOC (10) Cl.** ..... **07-04**

(52) **U.S. Cl.**

USPC ..... **D7/384**; D7/693; D7/372

(58) **Field of Classification Search**

USPC ..... D7/672, 693, 376-386; 30/279.6, 291;  
241/101.1, 92, 93, 37.5, 36,  
241/273.1-273.4, 100, 285.1; 83/13,  
83/435.11, 436.7, 856, 932  
See application file for complete search history.

(56) **References Cited**

**U.S. PATENT DOCUMENTS**

1,974,194 A 9/1934 Phillips  
4,311,283 A \* 1/1982 Bounds ..... 241/95  
4,488,817 A \* 12/1984 Uesaka et al. .... 366/149  
4,588,136 A \* 5/1986 Homma ..... 241/95  
5,156,084 A \* 10/1992 Lin ..... 99/495  
D395,194 S \* 6/1998 Wong ..... D7/384  
D415,938 S \* 11/1999 Blaise ..... D7/678  
D426,744 S \* 6/2000 Wong ..... D7/384  
D447,017 S \* 8/2001 Jalet ..... D7/693  
D448,629 S \* 10/2001 Wong ..... D7/673  
D480,613 S \* 10/2003 Wong ..... D7/693  
D494,821 S \* 8/2004 Spalding ..... D7/693  
7,059,553 B2 \* 6/2006 Mueller ..... 241/199.12

**FOREIGN PATENT DOCUMENTS**

CG 532384 A 1/1973  
DE 7528392 U 1/1976  
EP 1905333 A2 4/2008  
FR 65182 E 1/1956  
GB 1373830 A 11/1974

\* cited by examiner

*Primary Examiner* — Terry Wallace

(74) *Attorney, Agent, or Firm* — Leydig, Voit & Mayer, Ltd.

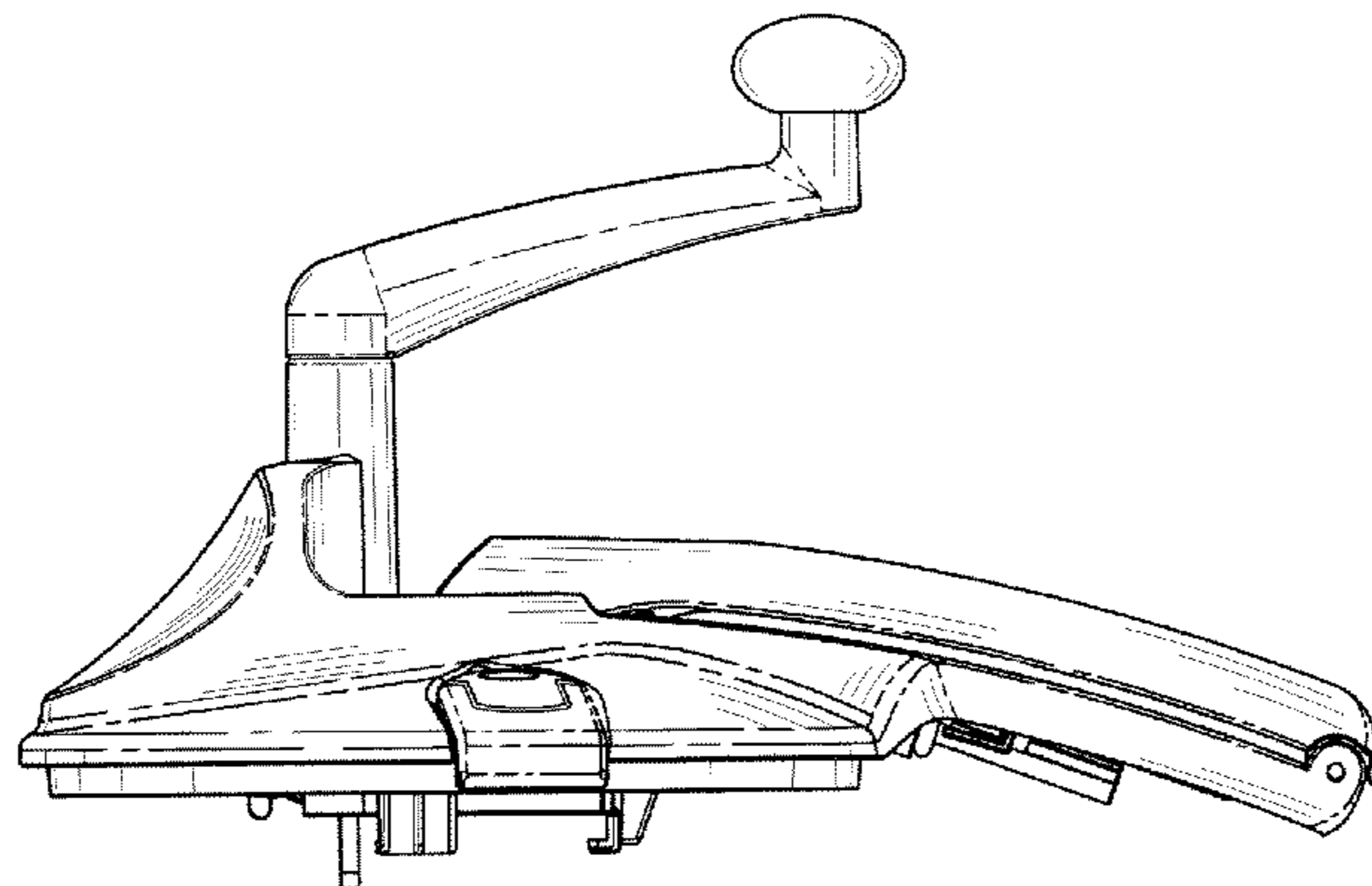
(57) **CLAIM**

The ornamental design for a food cutter, as shown and described.

**DESCRIPTION**

FIG. 1 is a left side elevational view of the food cutter showing my new design;  
FIG. 2 is a front right side perspective view thereof;  
FIG. 3 is a bottom plan view thereof;  
FIG. 4 is a top plan view thereof;  
FIG. 5 is a front elevational view thereof;  
FIG. 6 is a rear elevational view thereof;  
FIG. 7 is a rear left side perspective view thereof with extended legs;  
FIG. 8 is a front elevational view thereof with extended legs;  
FIG. 9 is a bottom plan view thereof with extended legs;  
FIG. 10 is a right side elevational view thereof with extended legs;  
FIG. 11 is a top plan view thereof with extended legs;  
FIG. 12 is a front left side perspective view thereof with an extended front leg upon container environment; and,  
FIG. 13 is a left side elevational view thereof with an extended front leg upon container environment.  
The broken line portions of the drawings show unclaimed subject matter for illustrative purposes only and form no part of the claimed design.

**1 Claim, 13 Drawing Sheets**



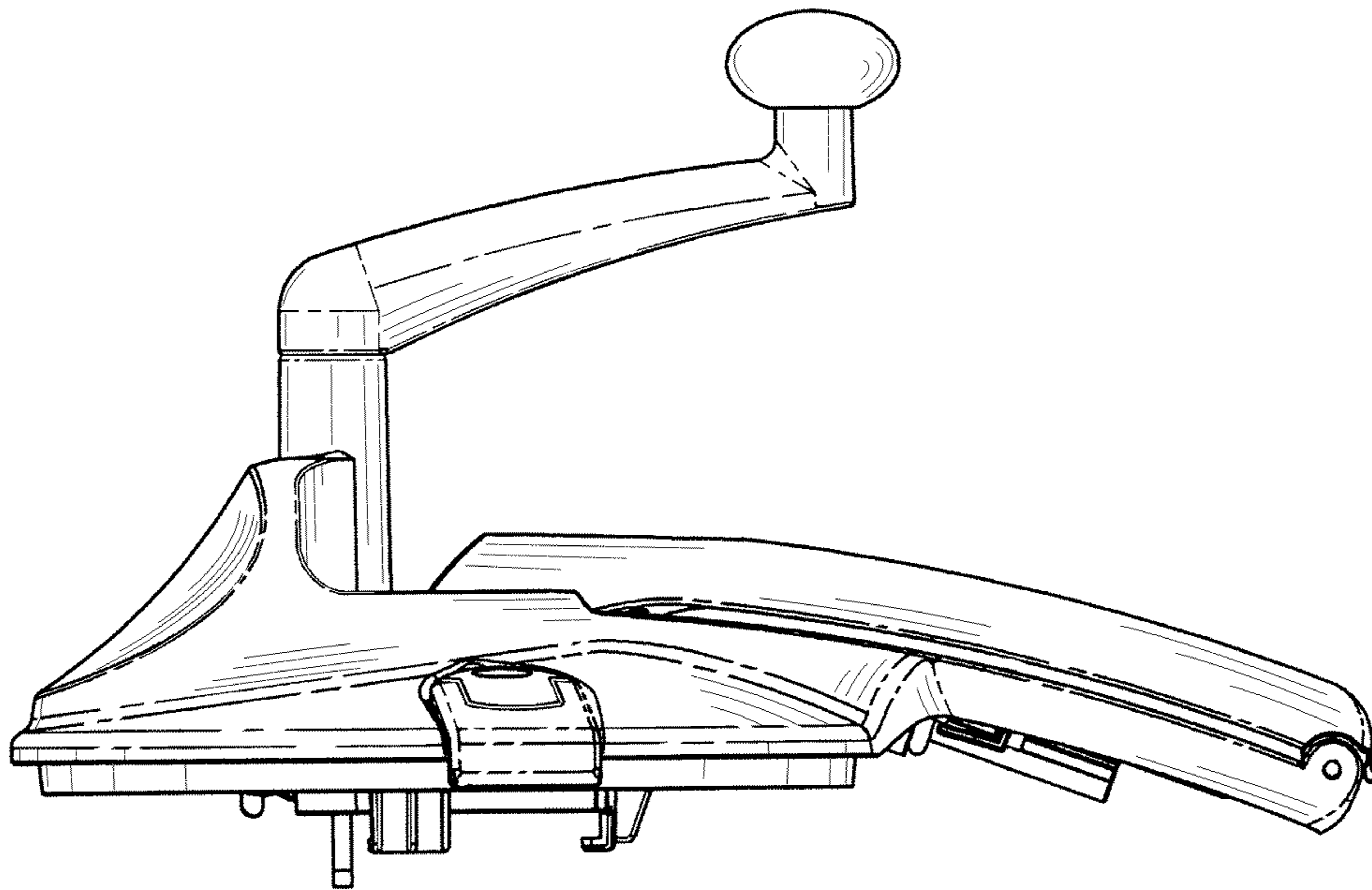


FIG. 1

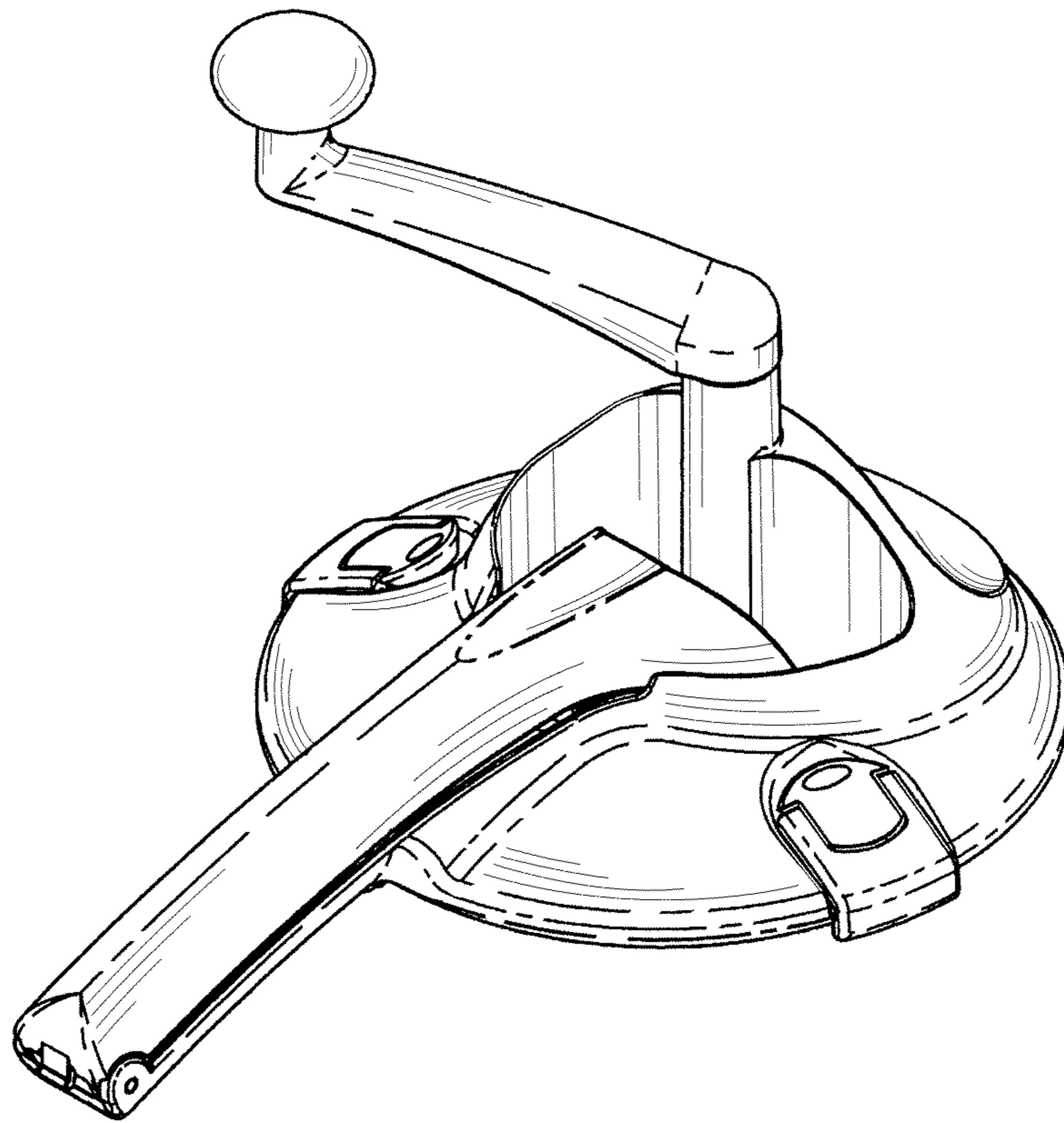


FIG. 2

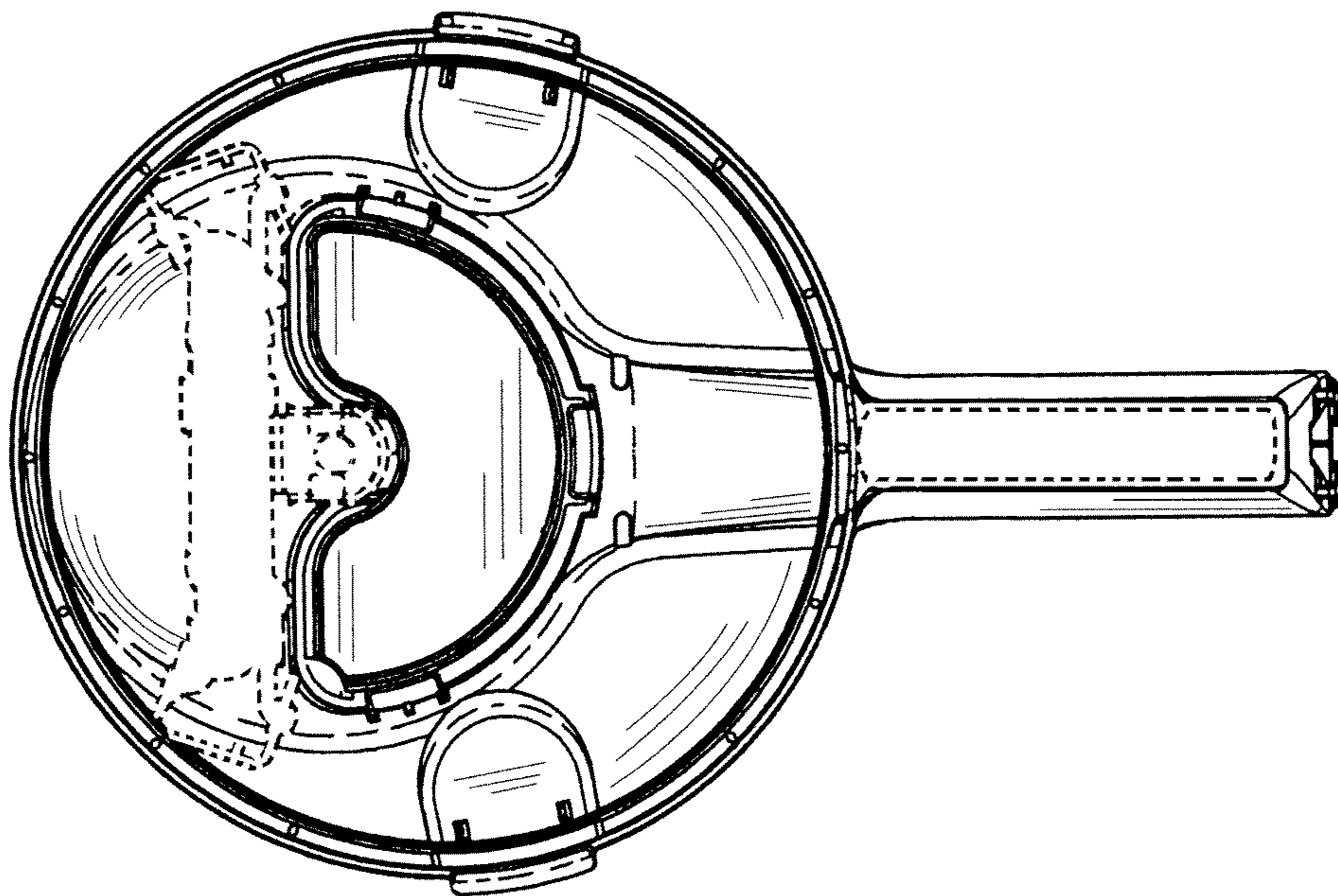


FIG. 3

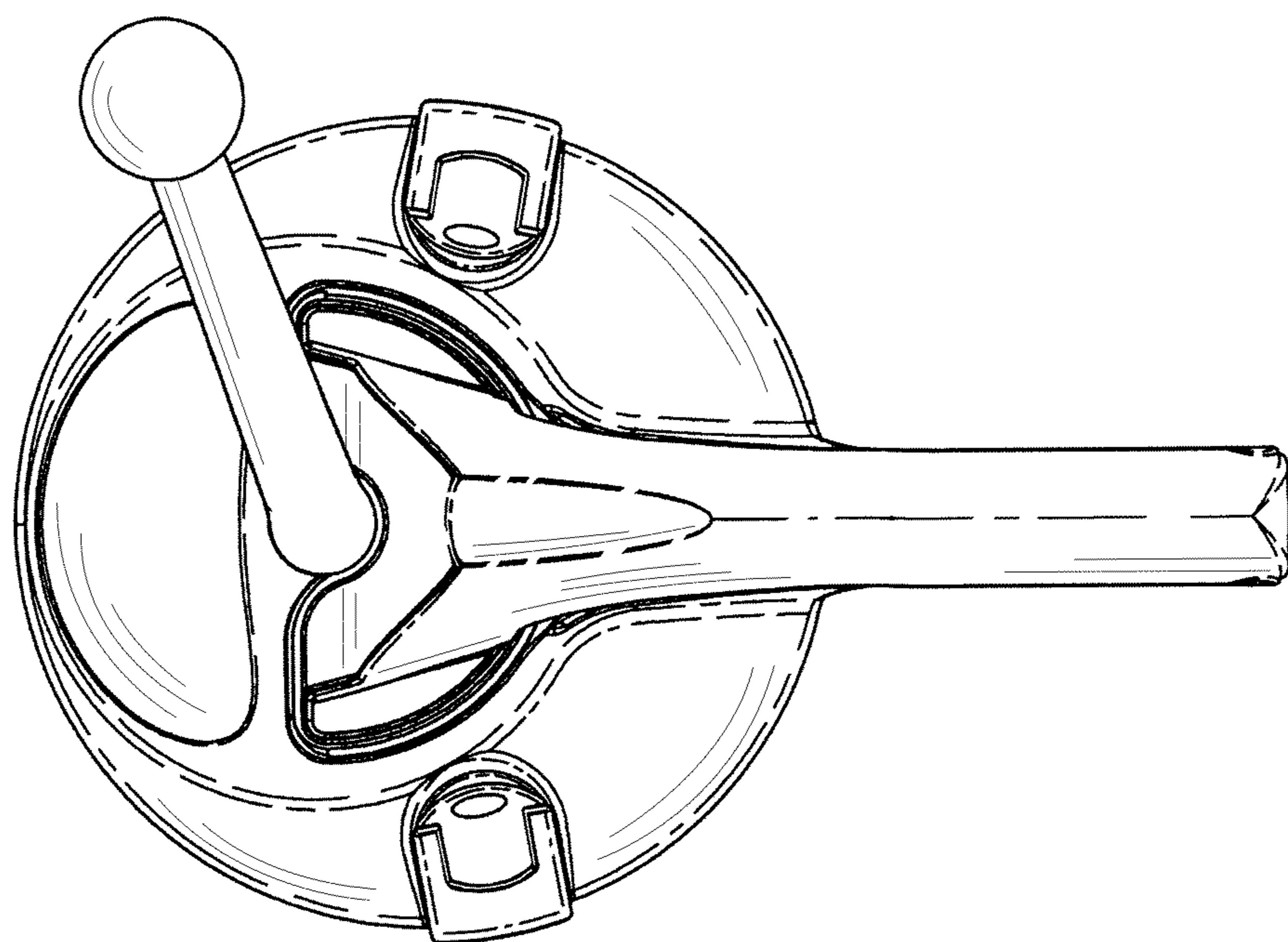


FIG. 4

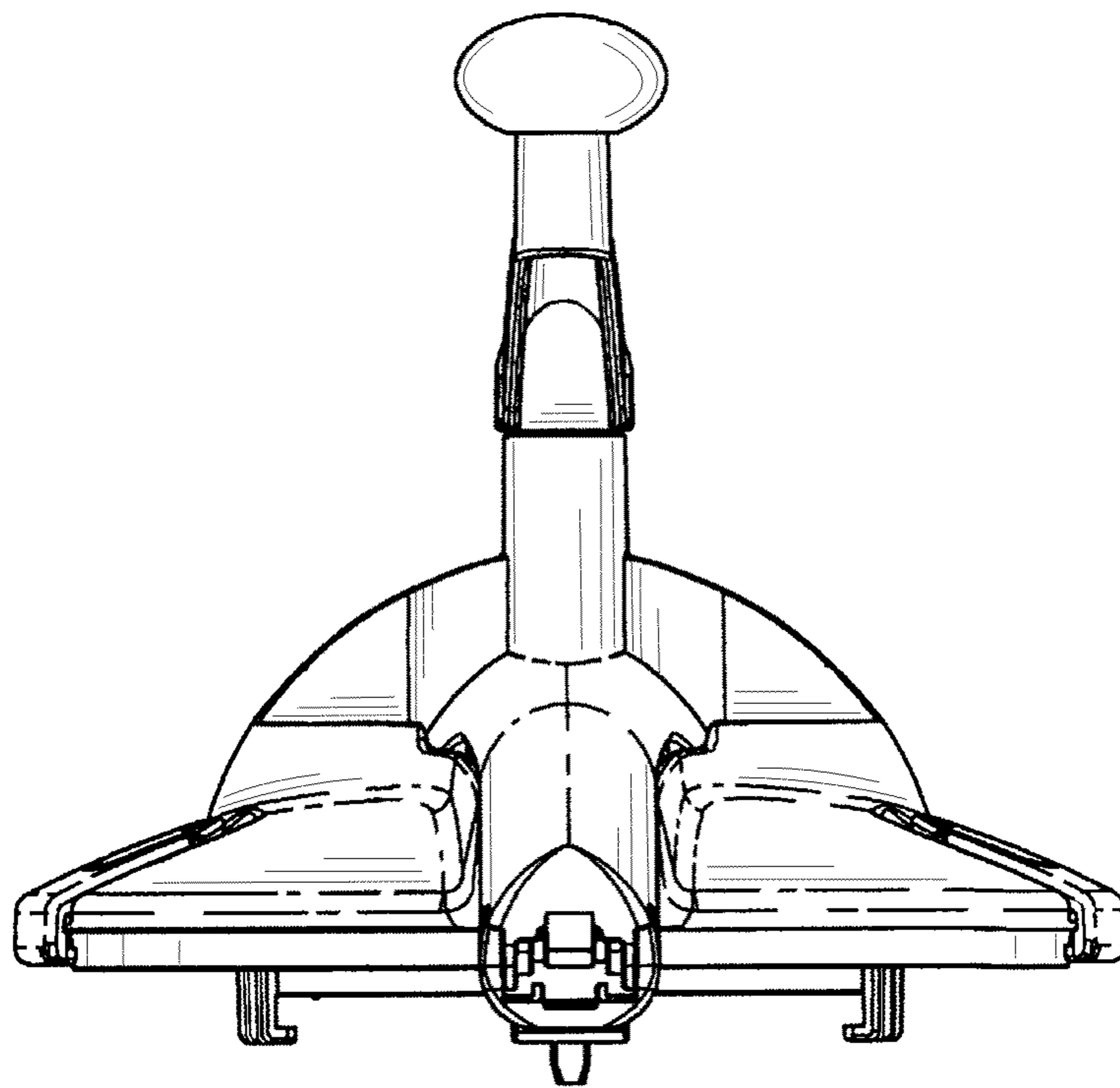


FIG. 5

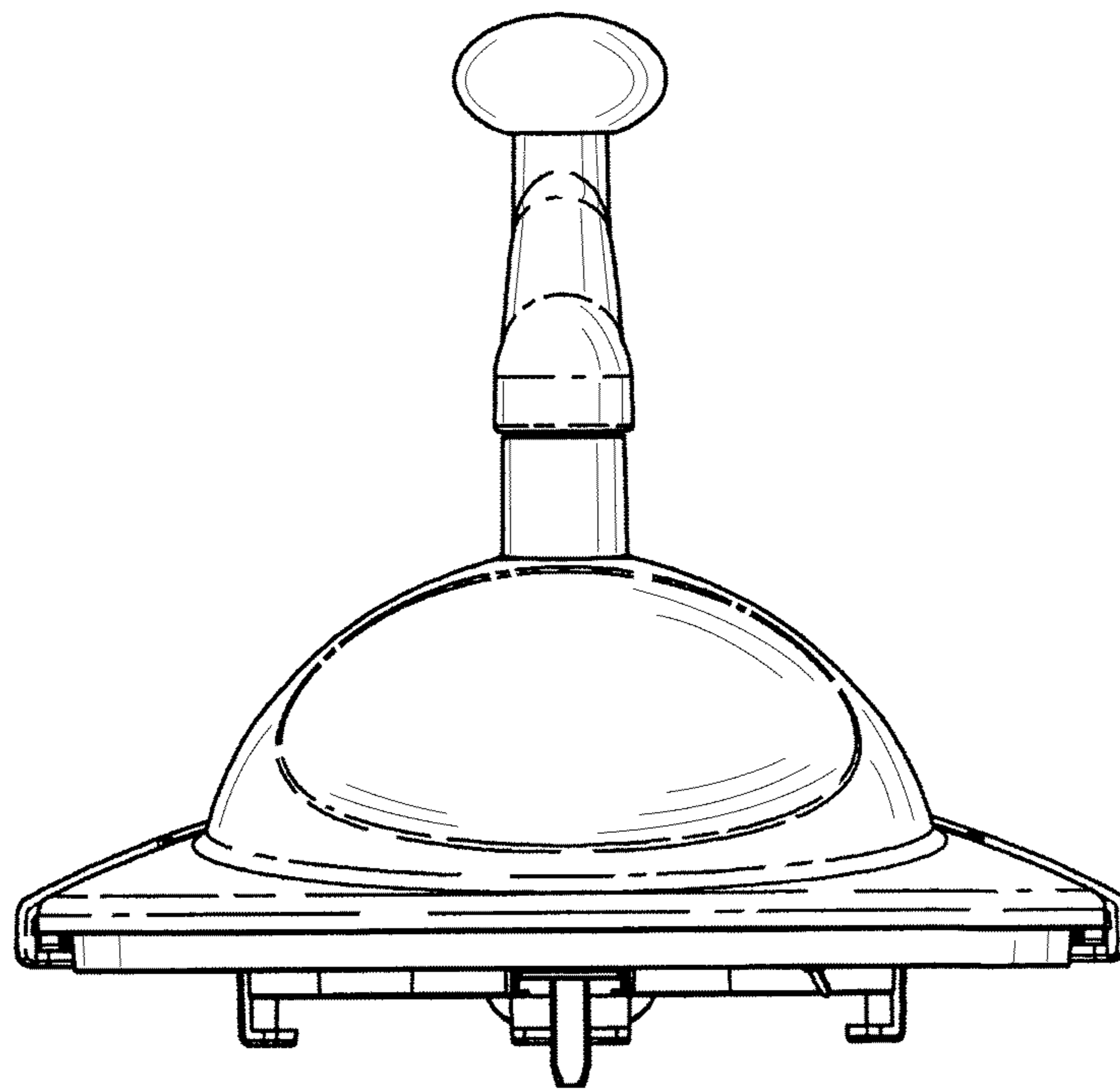


FIG. 6

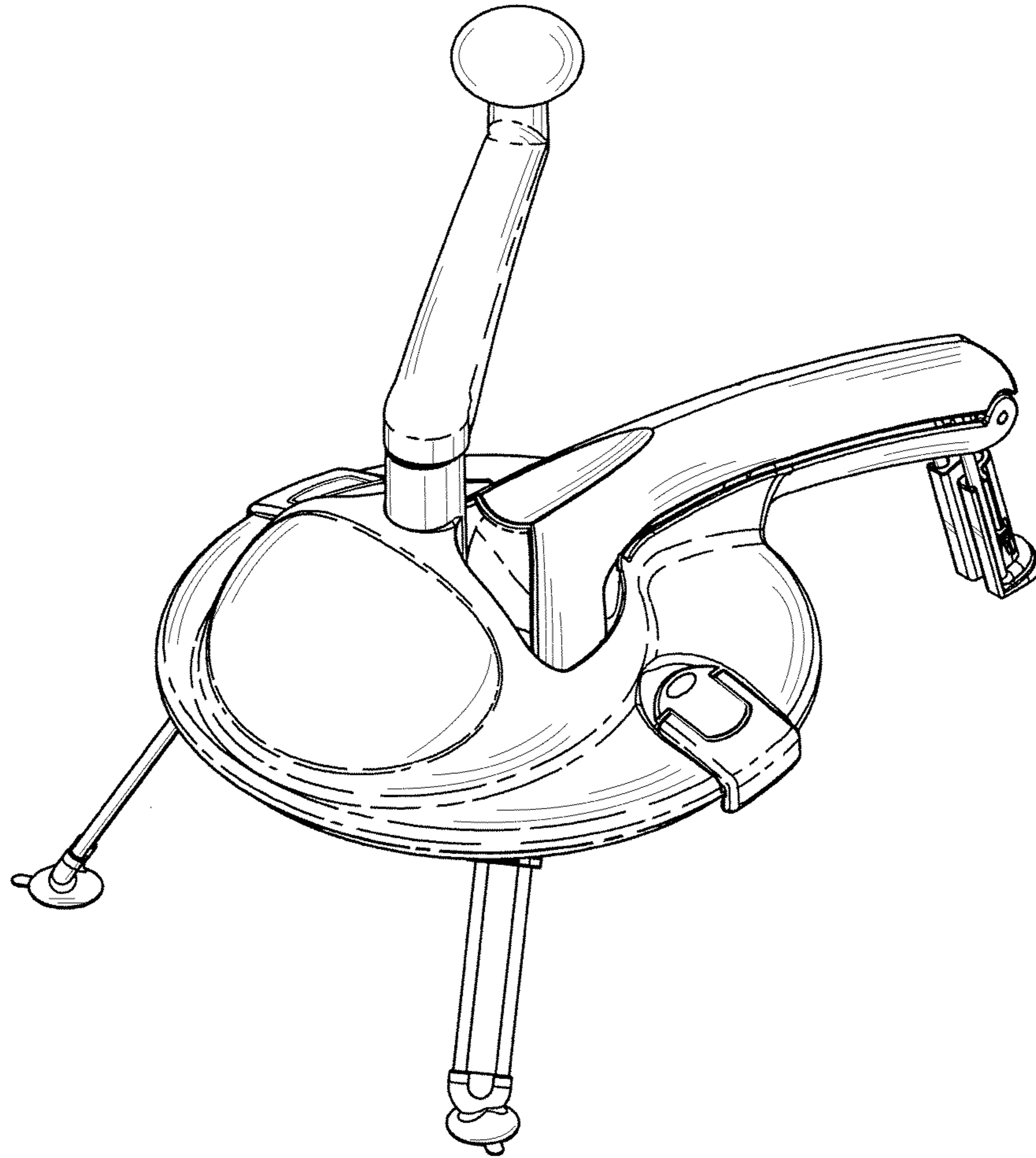


FIG. 7



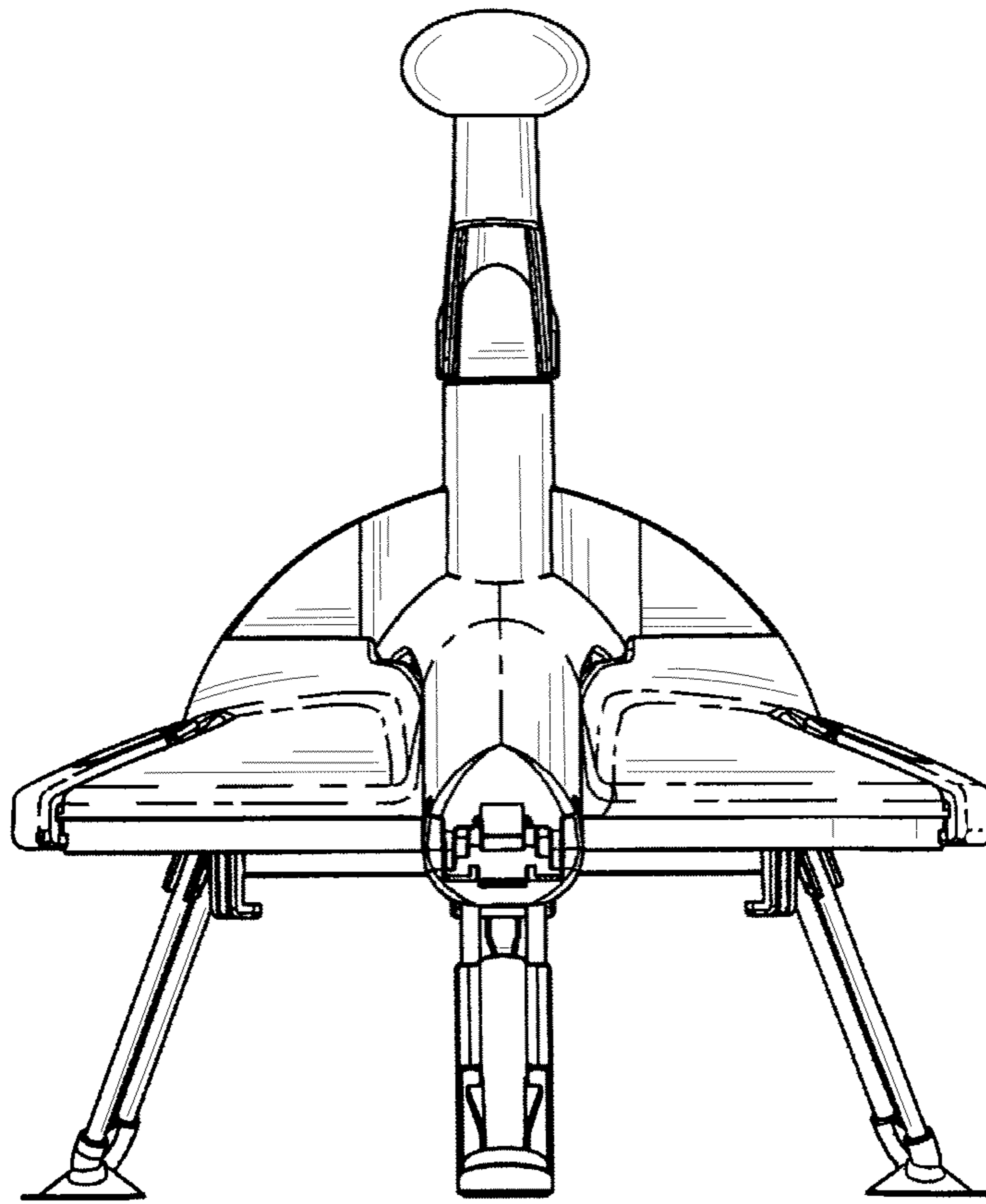


FIG. 8

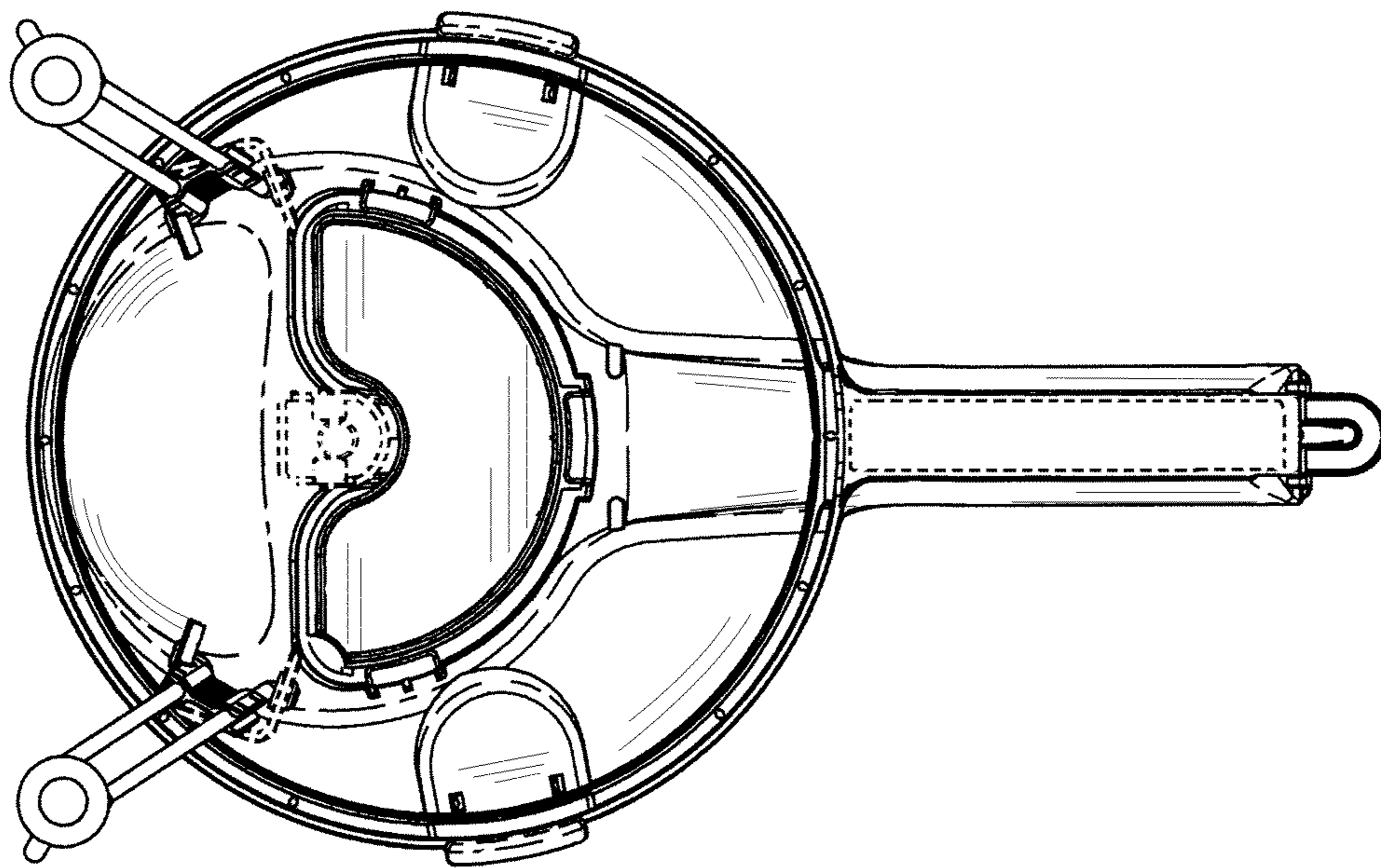


FIG. 9

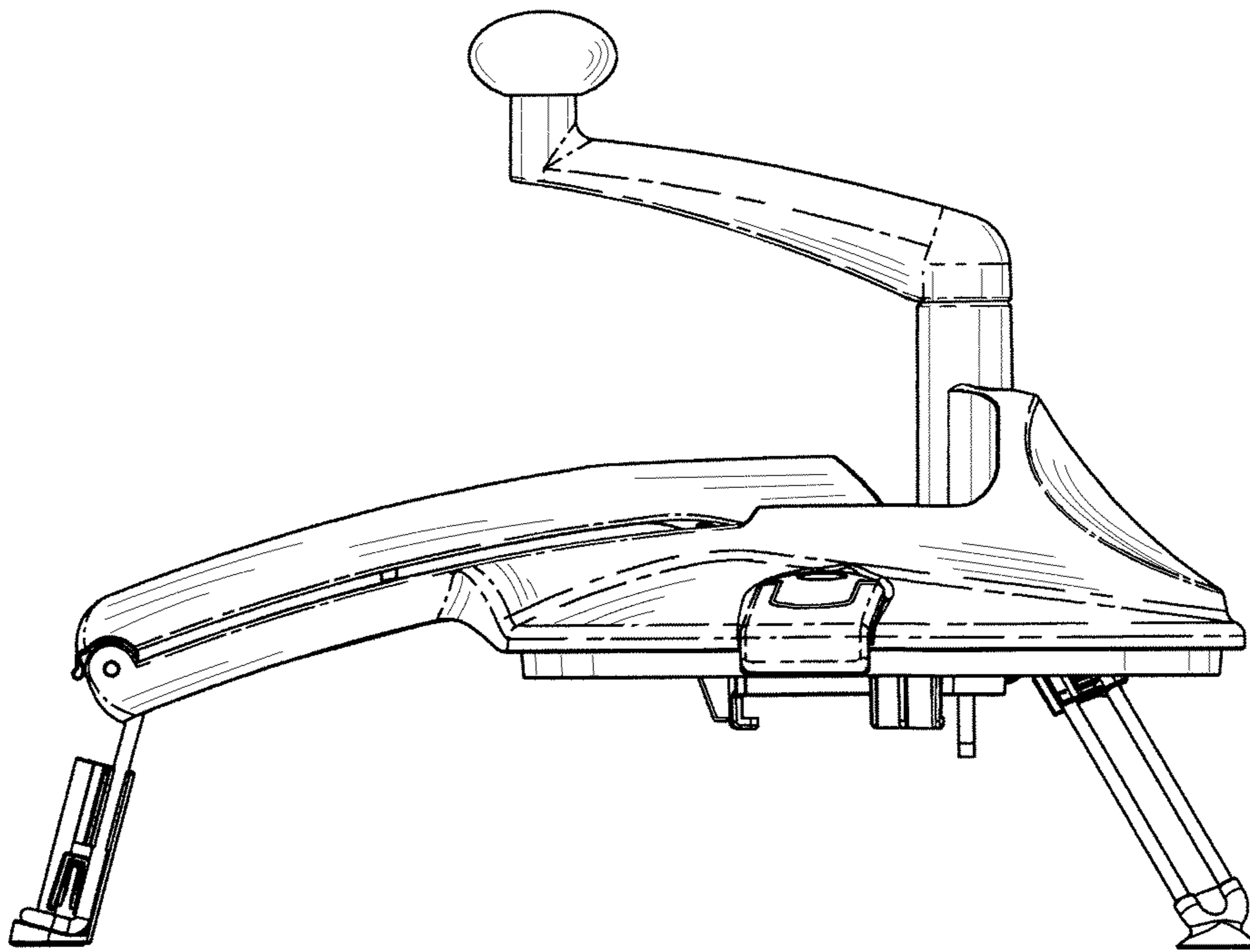


FIG. 10

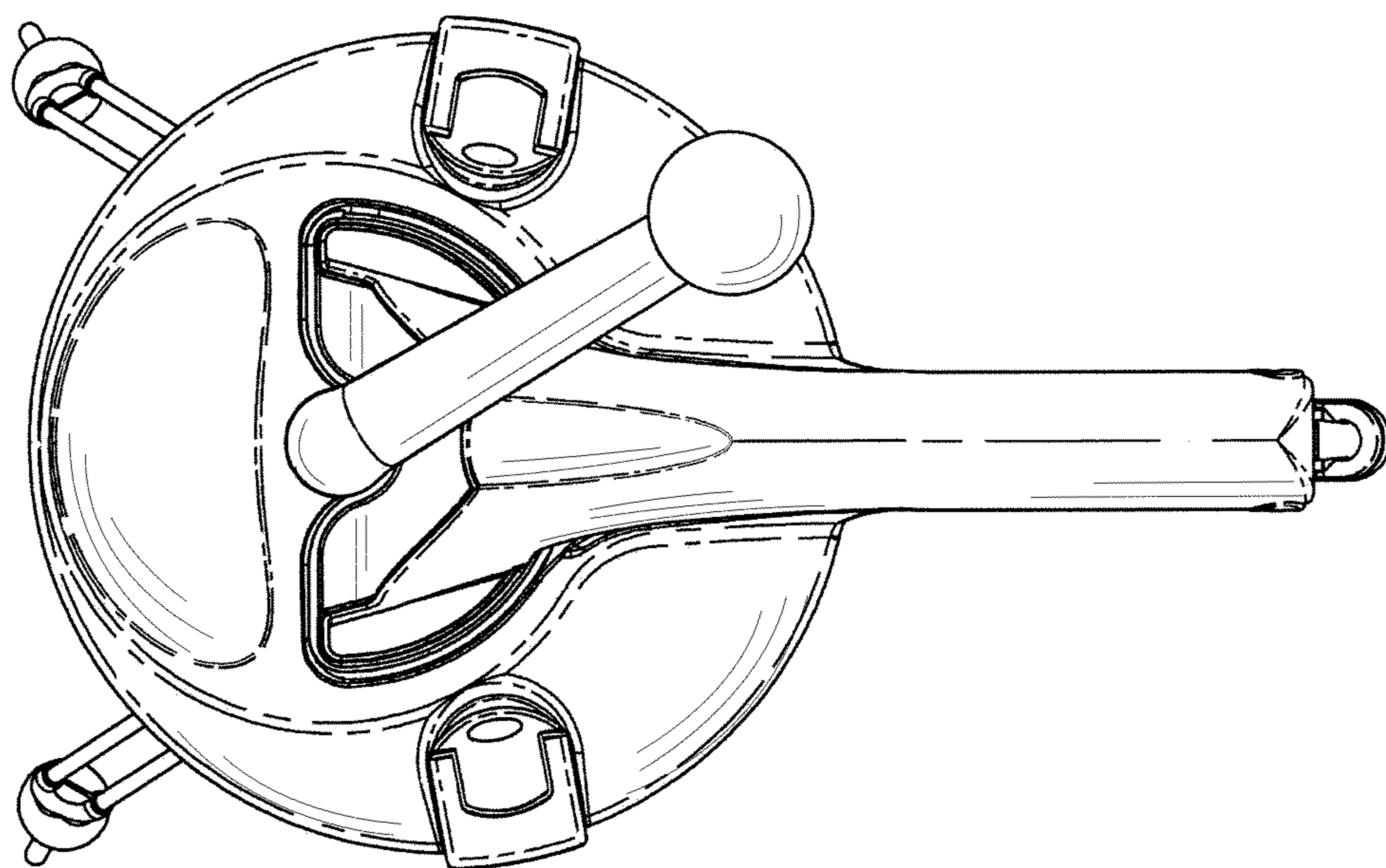


FIG. 11

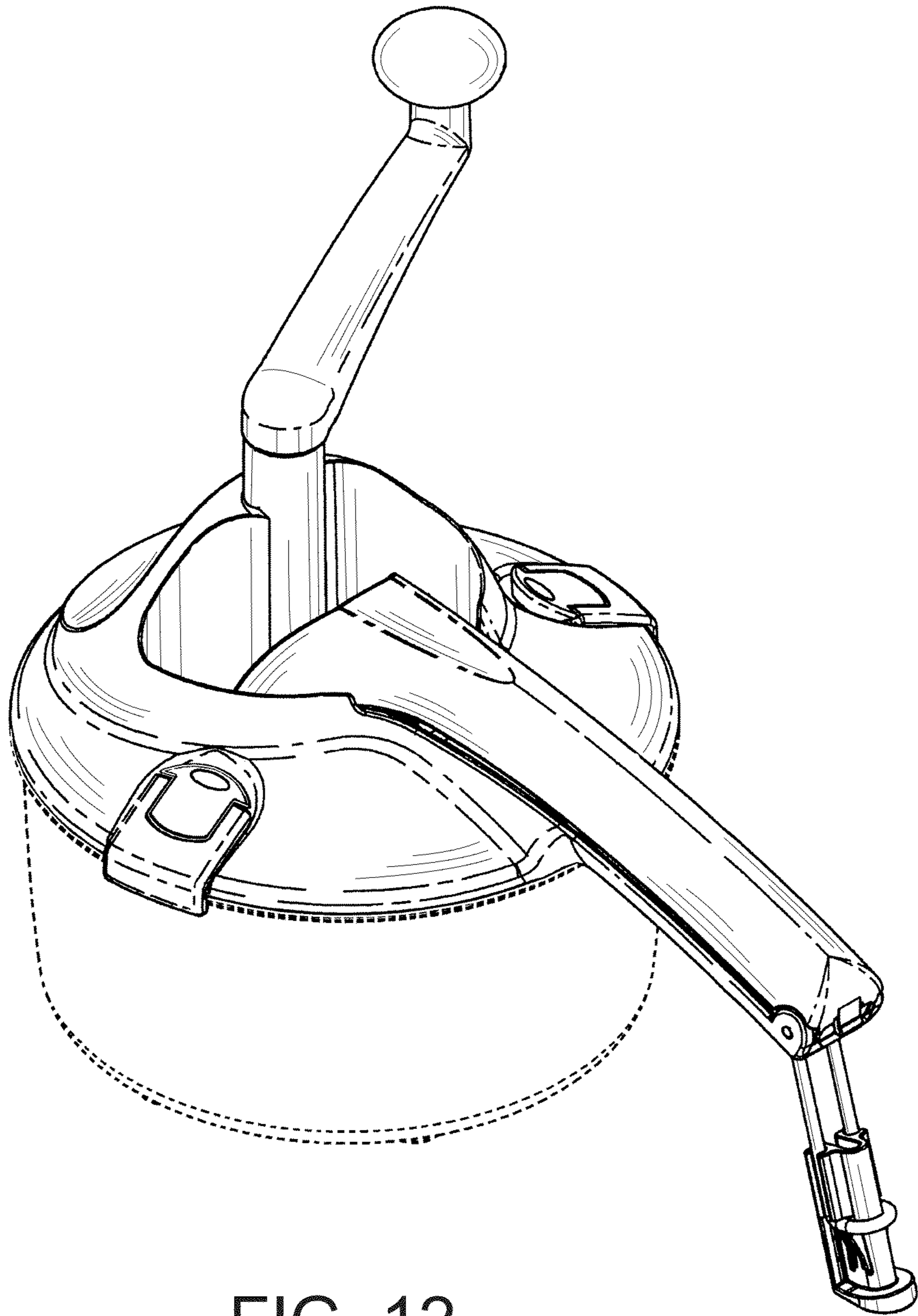


FIG. 12

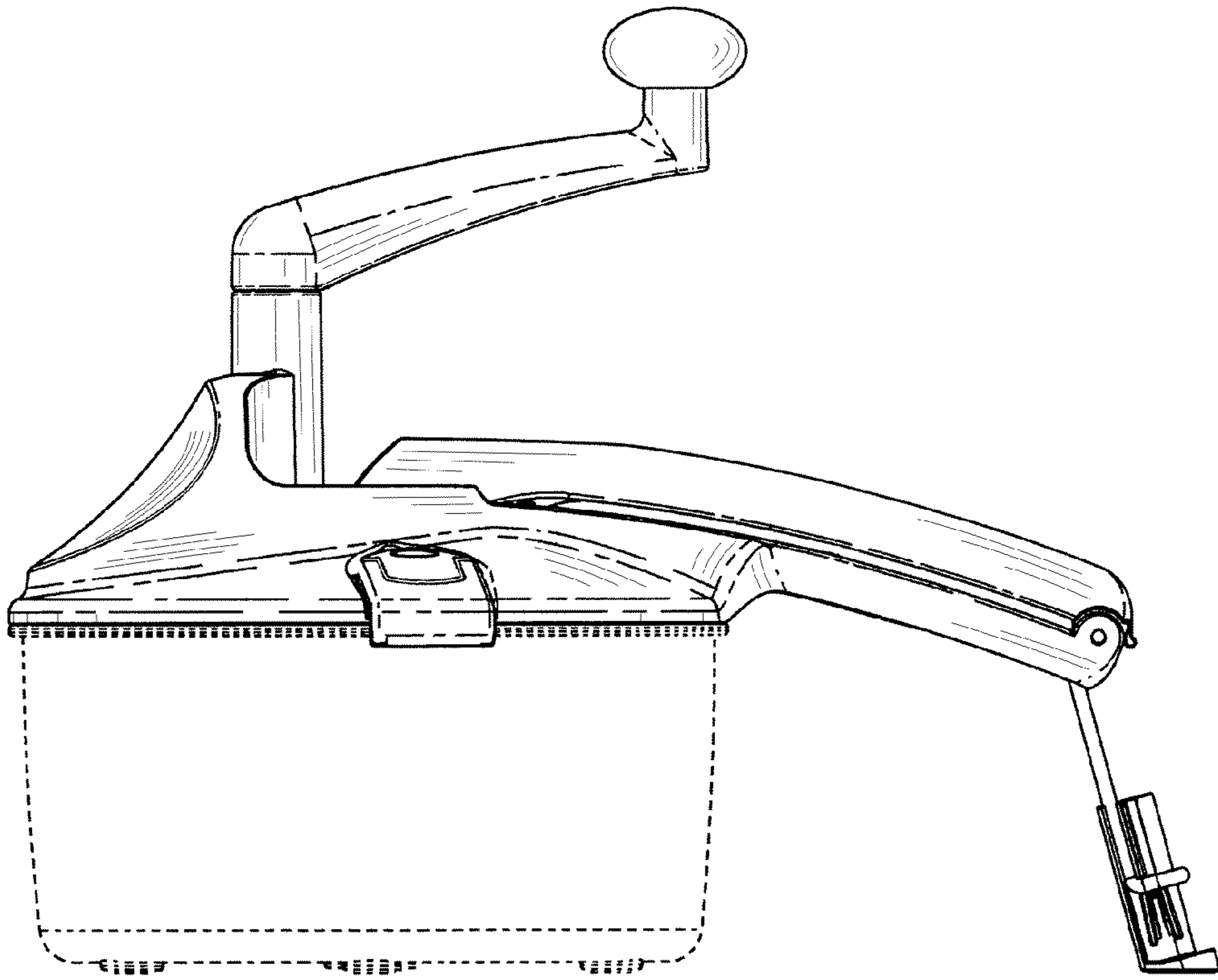


FIG. 13