



US00D710144S

(12) **United States Design Patent**
Lee

(10) **Patent No.:** **US D710,144 S**
(45) **Date of Patent:** **** Aug. 5, 2014**

(54) **INFRARED HEATING COOKER**
(71) Applicant: **Jin Hee Lee**, Goyang-si (KR)
(72) Inventor: **Jin Hee Lee**, Goyang-si (KR)
(**) Term: **14 Years**
(21) Appl. No.: **29/472,195**
(22) Filed: **Nov. 8, 2013**

D379,051 S *	5/1997	Jacquemin	D7/352
D434,486 S *	11/2000	Segers	D23/372
D439,792 S *	4/2001	Hedrington et al.	D7/323
D458,078 S *	6/2002	Lin	D7/362
D653,904 S *	2/2012	Lee	D7/362
D661,542 S *	6/2012	Lee	D7/362
D688,086 S *	8/2013	Lee	D7/362
D688,087 S *	8/2013	Lee	D7/362
D688,088 S *	8/2013	Lee	D7/362
D688,089 S *	8/2013	Lee	D7/362
D688,090 S *	8/2013	Lee	D7/362

* cited by examiner

(30) **Foreign Application Priority Data**
Sep. 10, 2013 (KR) 30-2013-0046673
(51) **LOC (10) Cl.** **07-02**
(52) **U.S. Cl.**
USPC **D7/362**
(58) **Field of Classification Search**
USPC D7/323, 337, 339, 341, 352, 354-355,
D7/362-367, 409-411; D23/372; 99/331,
99/339, 342, 349, 357, 372-375;
126/19 M, 21 R, 25 A, 235 AA, 80,
126/299 D, 299 F, 299 R; 219/395, 450.1,
219/452.11, 532-533; 220/573.1-573.5
See application file for complete search history.

Primary Examiner — Ricky Pham
(74) *Attorney, Agent, or Firm* — Kile Park Reed & Houtteman PLLC

(56) **References Cited**
U.S. PATENT DOCUMENTS
D230,072 S * 1/1974 Roderick D7/355
D340,615 S * 10/1993 Guerrier et al. D7/365

(57) **CLAIM**
I claim, the ornamental design for an infrared heating cooker, as shown and described.

DESCRIPTION
FIG. 1 is a top and front perspective view of an infrared heating cooker, showing my new design;
FIG. 2 is a front view thereof;
FIG. 3 is a rear view thereof;
FIG. 4 is a left side view thereof;
FIG. 5 is a right side view thereof;
FIG. 6 is a top plan view thereof; and,
FIG. 7 is a bottom plan view thereof.

1 Claim, 7 Drawing Sheets

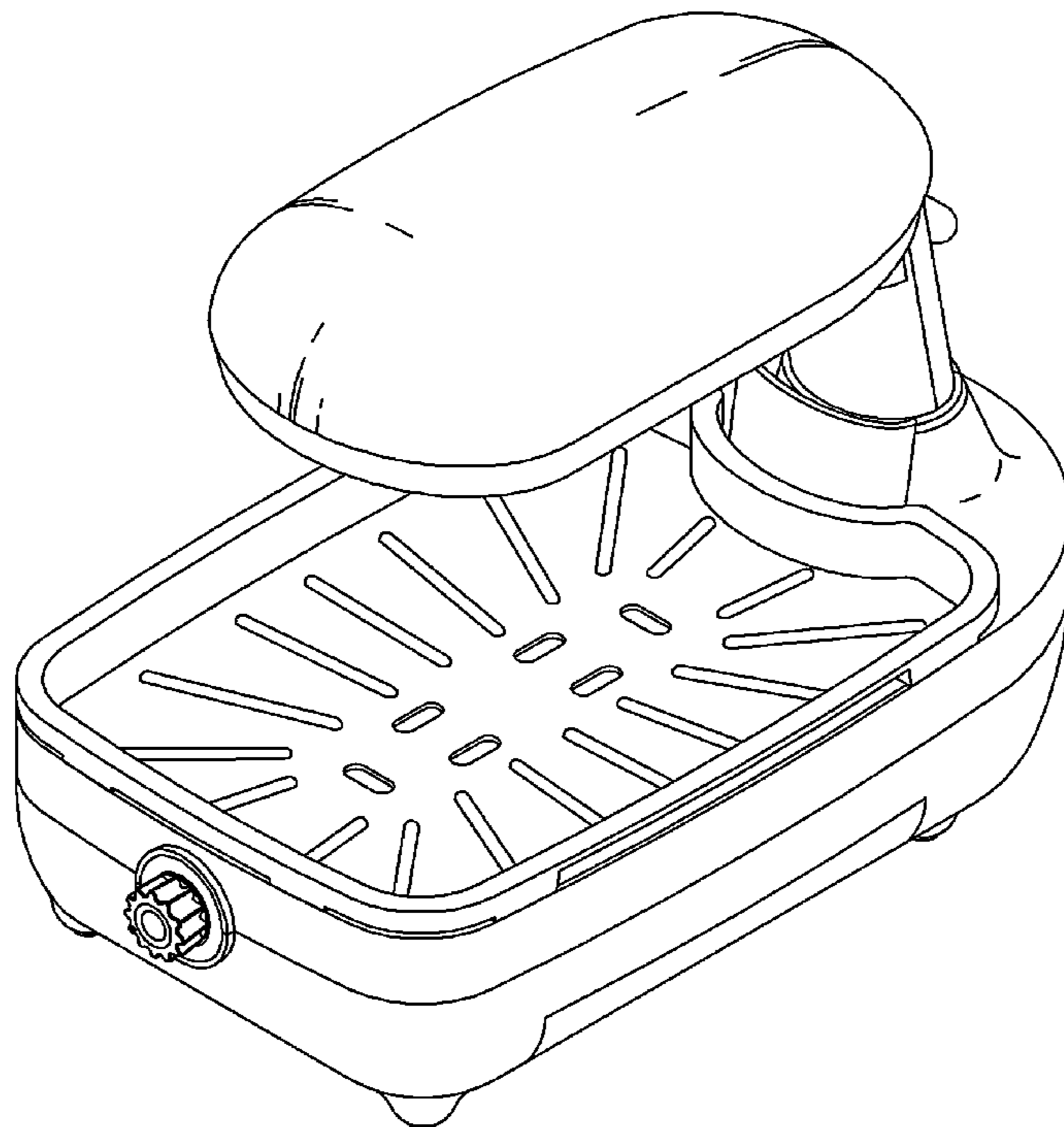


FIG. 1

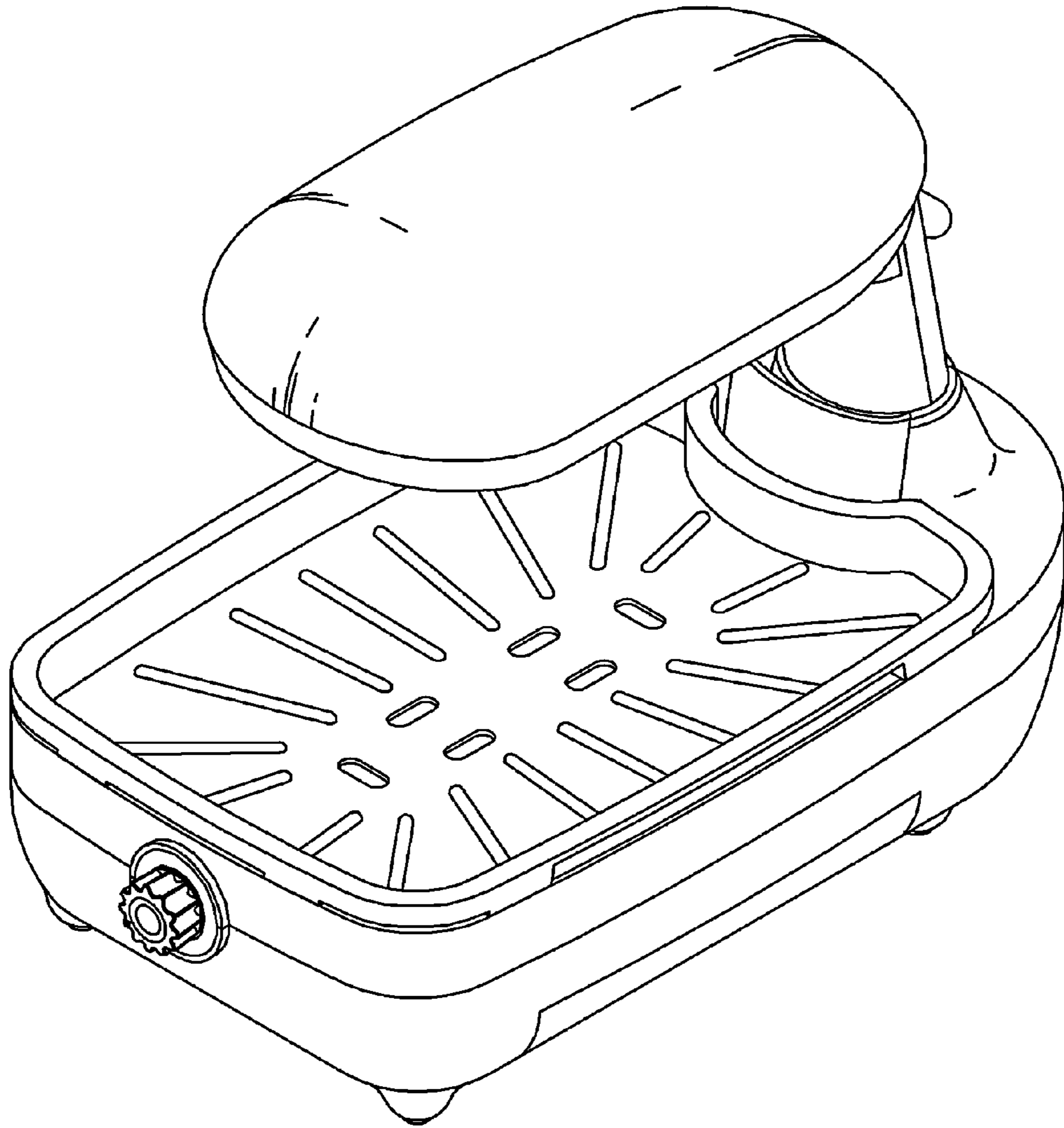


FIG. 2

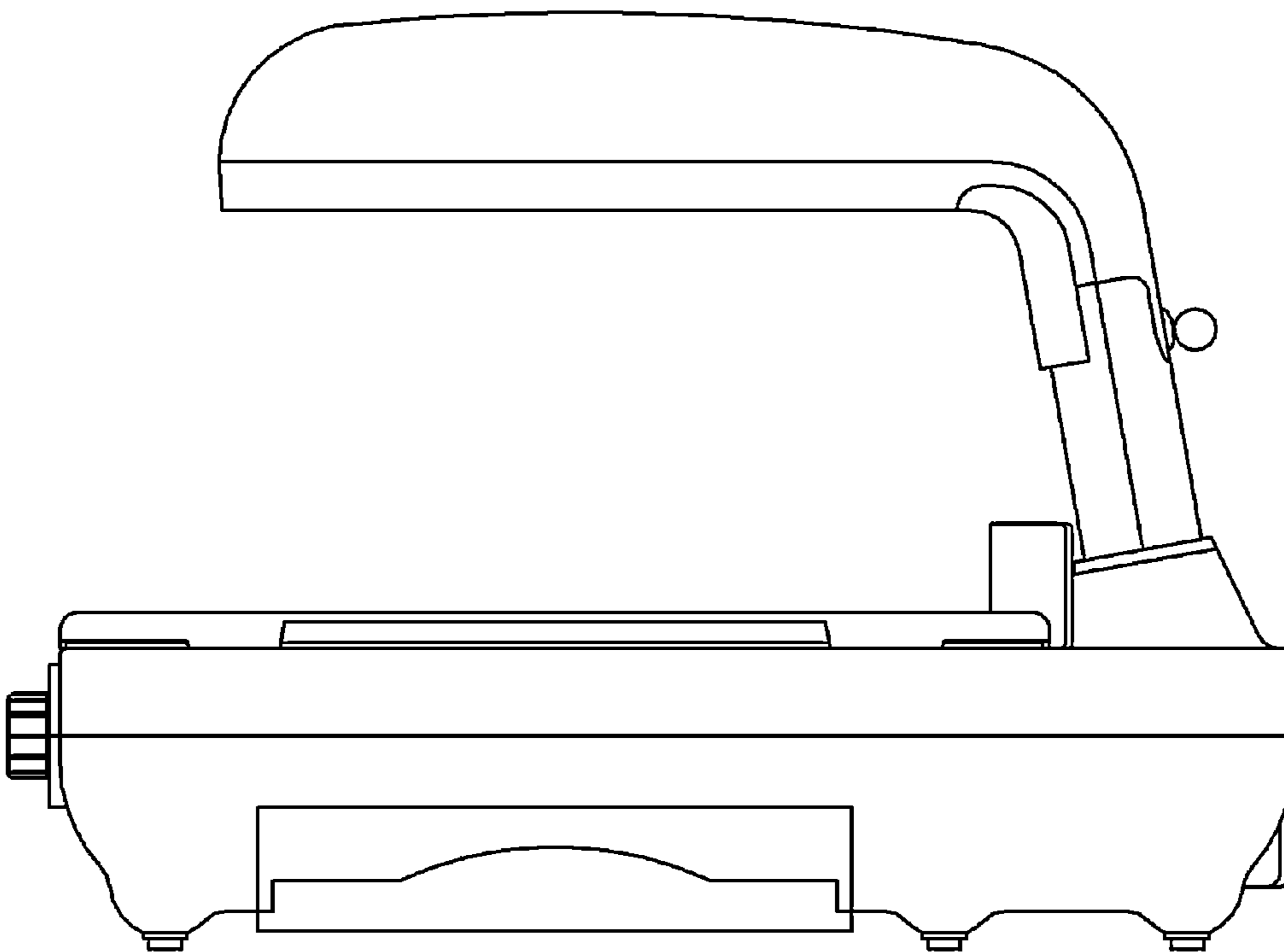


FIG. 3

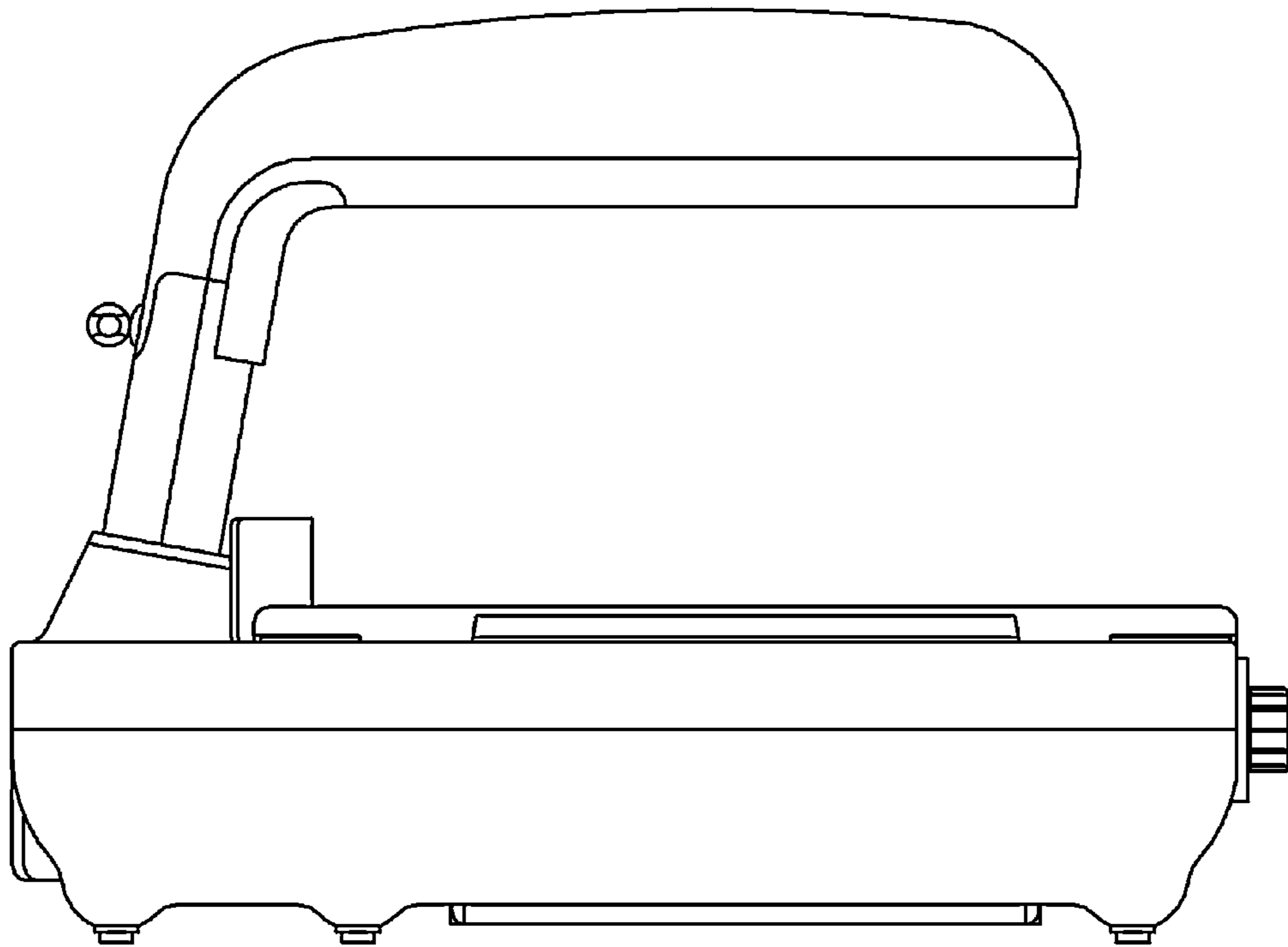


FIG. 4

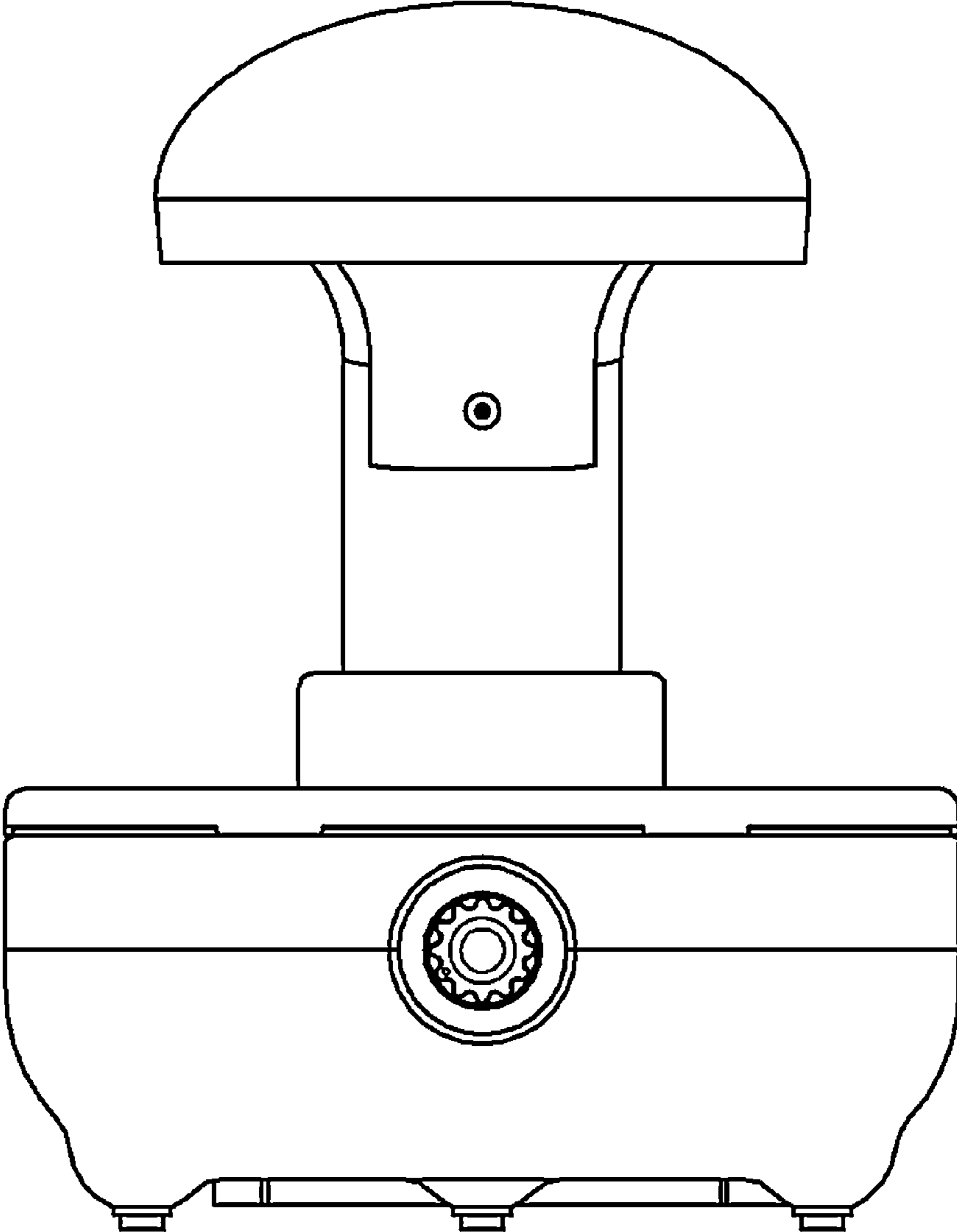


FIG. 5

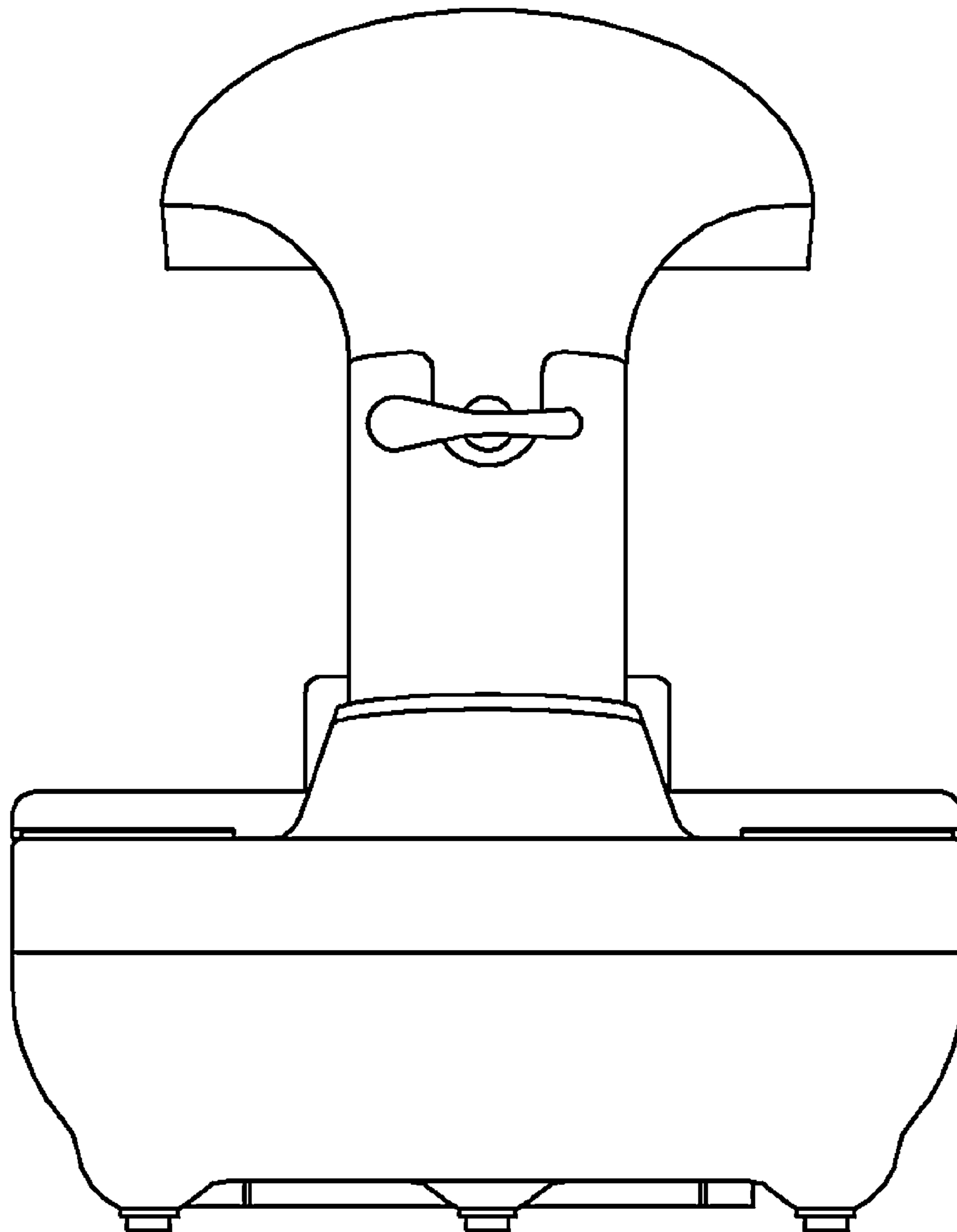


FIG. 6

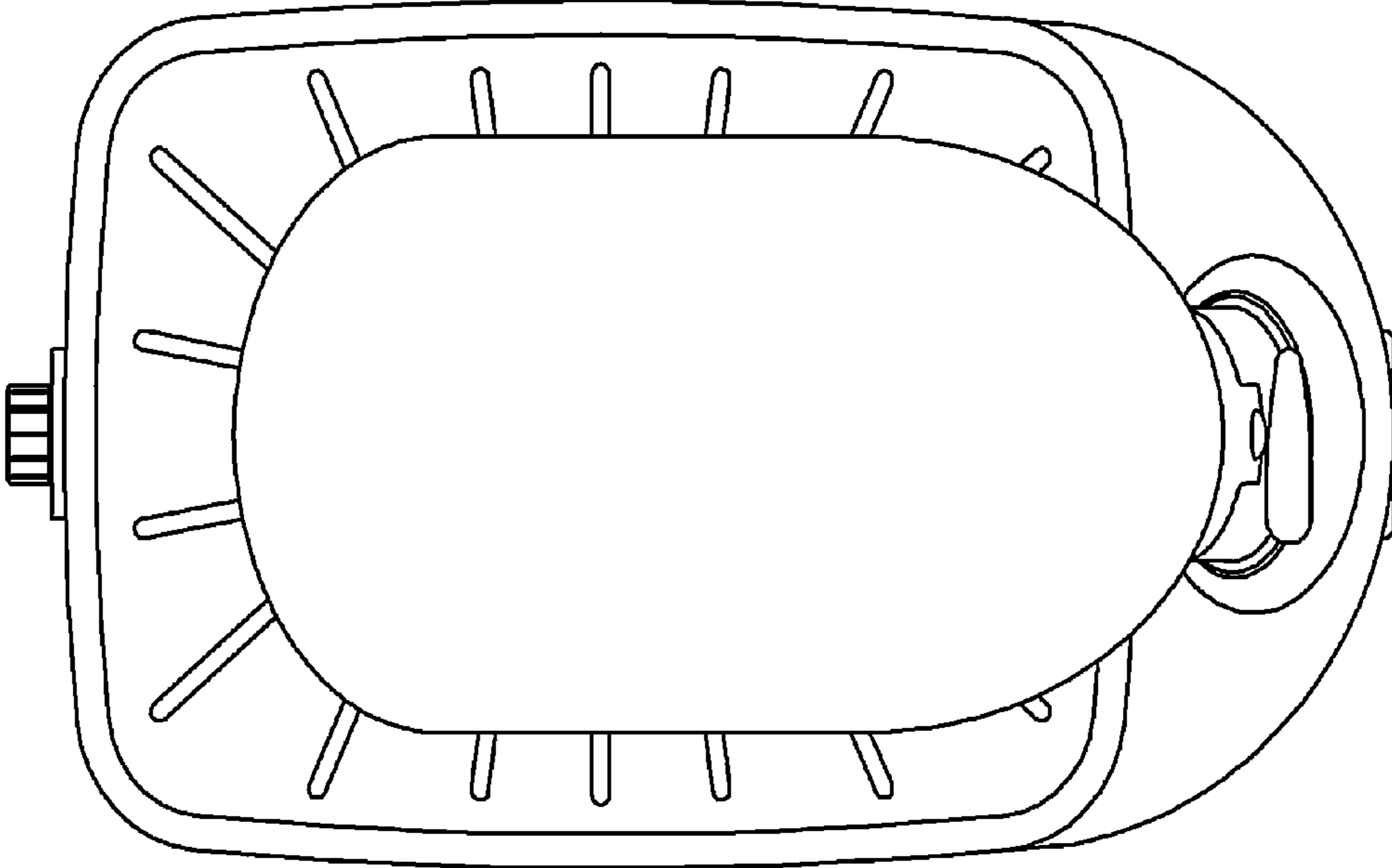


FIG. 7

