



US00D710143S

(12) **United States Design Patent**
Lee

(10) **Patent No.:** **US D710,143 S**
(45) **Date of Patent:** **** Aug. 5, 2014**

(54) **INFRARED HEATING COOKER**

(71) Applicant: **Jin Hee Lee**, Goyang-si (KR)

(72) Inventor: **Jin Hee Lee**, Goyang-si (KR)

(**) Term: **14 Years**

(21) Appl. No.: **29/472,194**

(22) Filed: **Nov. 8, 2013**

(30) **Foreign Application Priority Data**

Sep. 10, 2013 (KR) 30-2013-0046672

(51) **LOC (10) Cl.** **07-02**

(52) **U.S. Cl.**
USPC **D7/362**

(58) **Field of Classification Search**

CPC A21B 1/06; A21B 1/50; A21B 1/52;
A47J 37/04; A47J 37/06; A47J 37/015;
A47J 37/067; A47J 37/0611; A47J 37/0629;
A47J 37/0676; F24C 7/06; F24C 7/083;
F24C 15/802; F24C 15/166; H05B 3/20;
H05B 3/40
USPC D7/323, 337, 339, 341, 352, 354-355,
D7/362-367, 409-411; D23/372; 99/331,
99/339, 342, 349, 357, 372-375;
126/19 M, 21 R, 25 A, 235 AA, 80,
126/299 D, 299 F, 299 R; 219/395, 450.1,
219/452.11, 532-533; 220/573.1-573.5

See application file for complete search history.

(56) **References Cited**

U.S. PATENT DOCUMENTS

D230,072 S *	1/1974	Roderick	D7/355
D340,615 S *	10/1993	Guerrier et al.	D7/365
D379,051 S *	5/1997	Jacquemin	D7/352
D434,486 S *	11/2000	Segers	D23/372
D439,792 S *	4/2001	Hedrington et al.	D7/323
D458,078 S *	6/2002	Lin	D7/362
D653,904 S *	2/2012	Lee	D7/362
D661,542 S *	6/2012	Lee	D7/362
D688,086 S *	8/2013	Lee	D7/362
D688,087 S *	8/2013	Lee	D7/362
D688,088 S *	8/2013	Lee	D7/362
D688,089 S *	8/2013	Lee	D7/362
D688,090 S *	8/2013	Lee	D7/362

* cited by examiner

Primary Examiner — Ricky Pham

(74) *Attorney, Agent, or Firm* — Kile Park Reed & Houtteman PLLC

(57) **CLAIM**

I claim, the ornamental design for an infrared heating cooker, as shown and described.

DESCRIPTION

FIG. 1 is a top and front perspective view of an infrared heating cooker, showing my new design;
FIG. 2 is a front view thereof;
FIG. 3 is a rear view thereof;
FIG. 4 is a left side view thereof;
FIG. 5 is a right side view thereof;
FIG. 6 is a top plan view thereof; and,
FIG. 7 is a bottom plan view thereof.

1 Claim, 7 Drawing Sheets

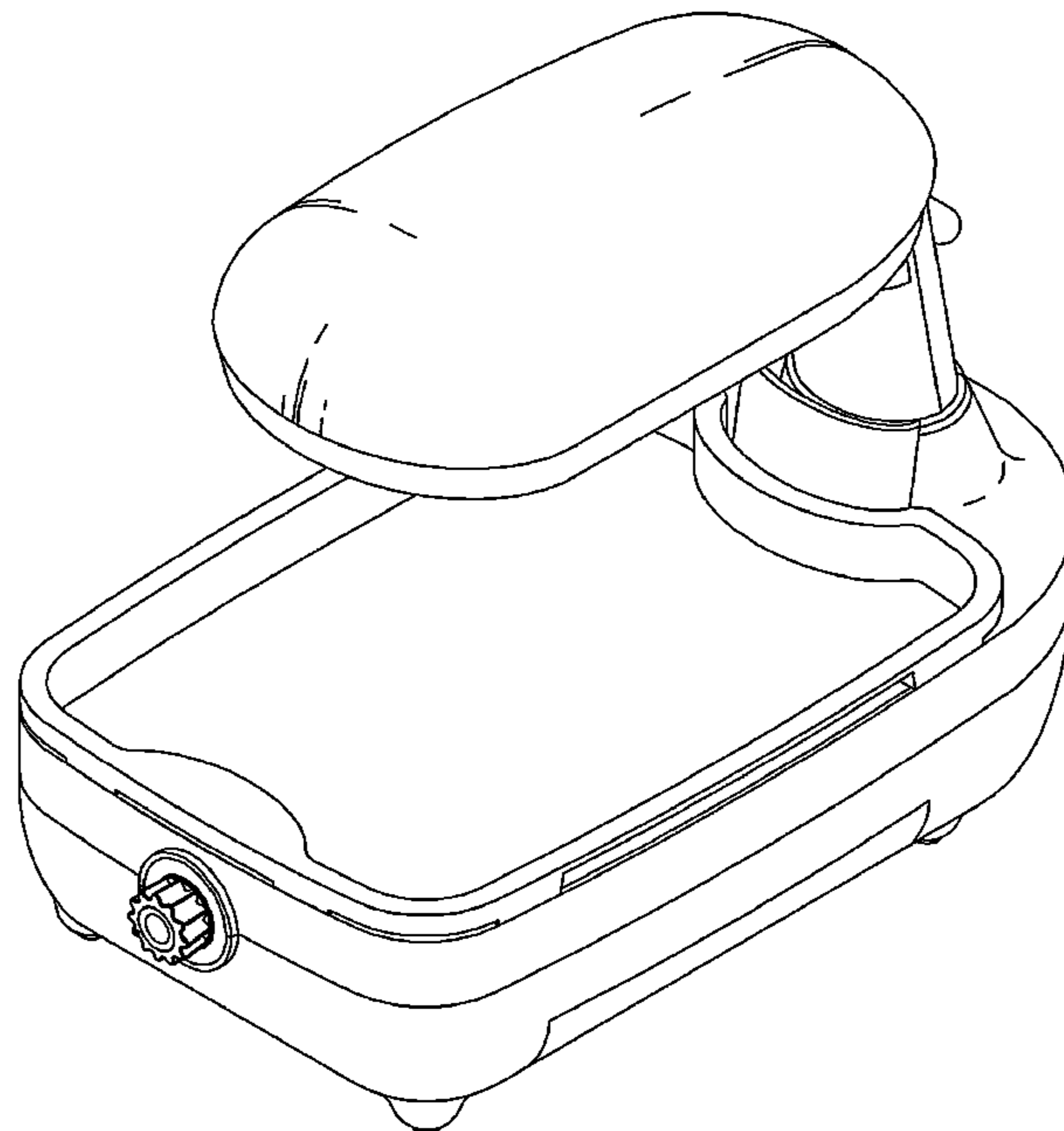


FIG. 1

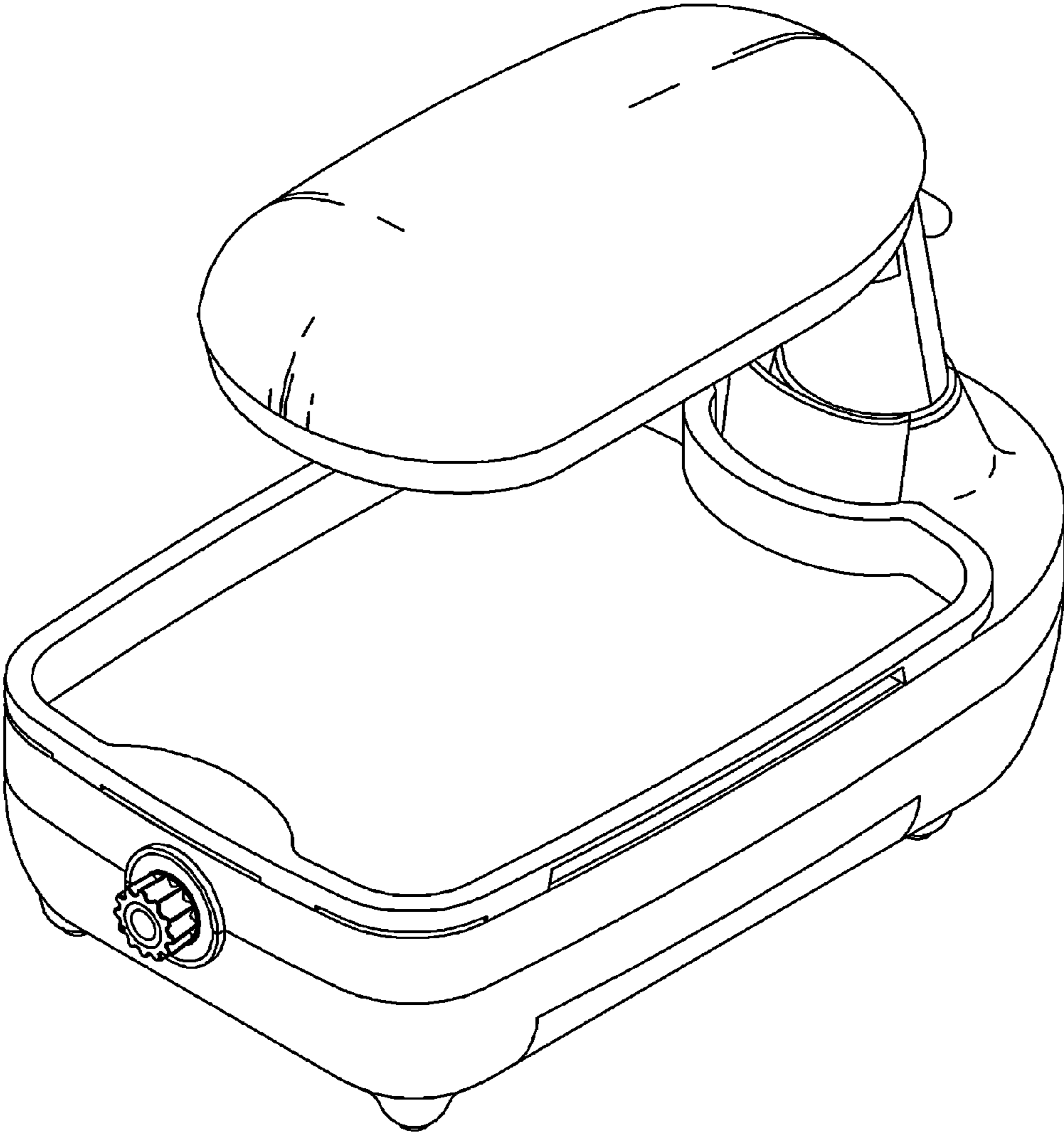


FIG. 2

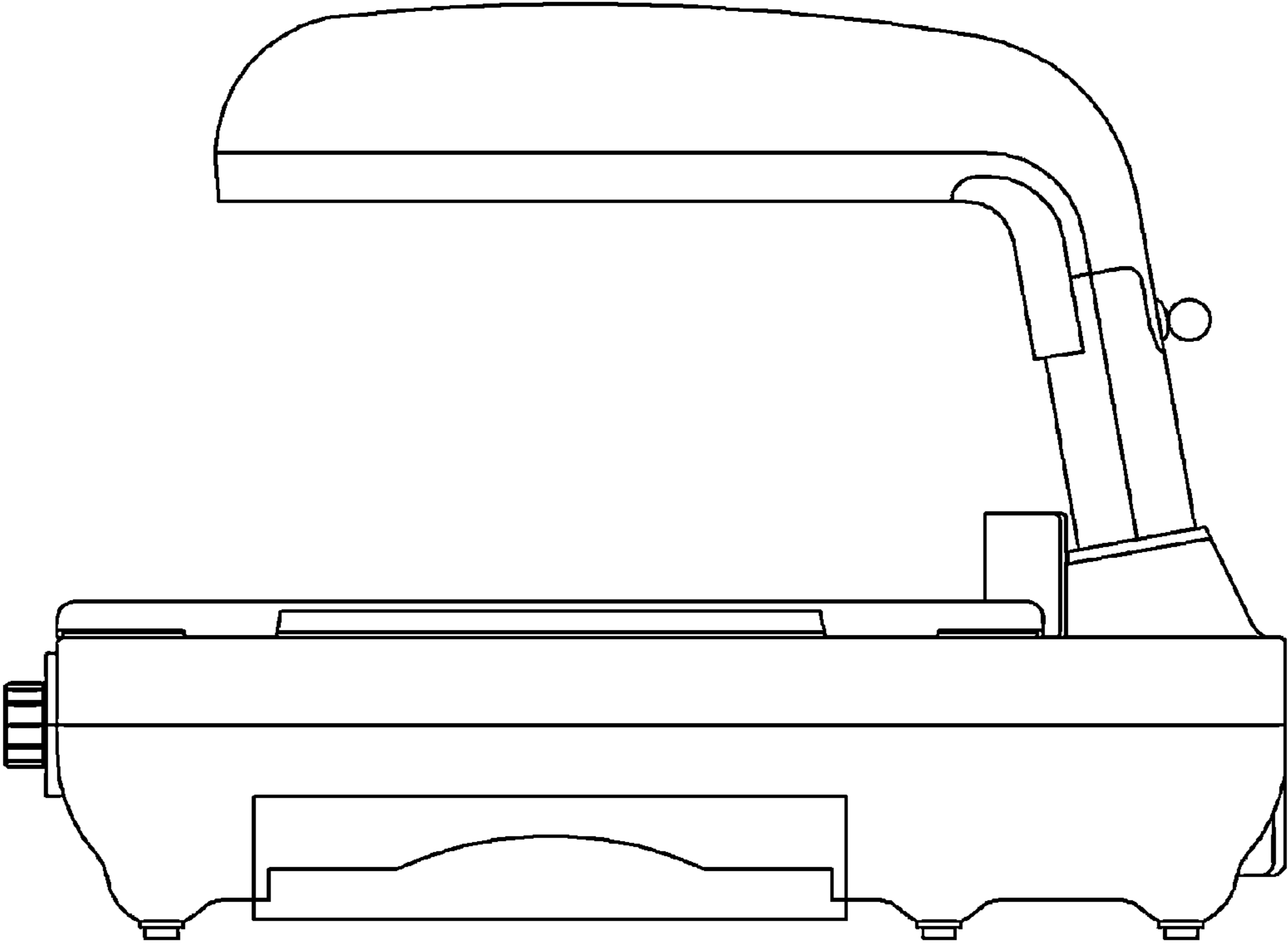


FIG. 3

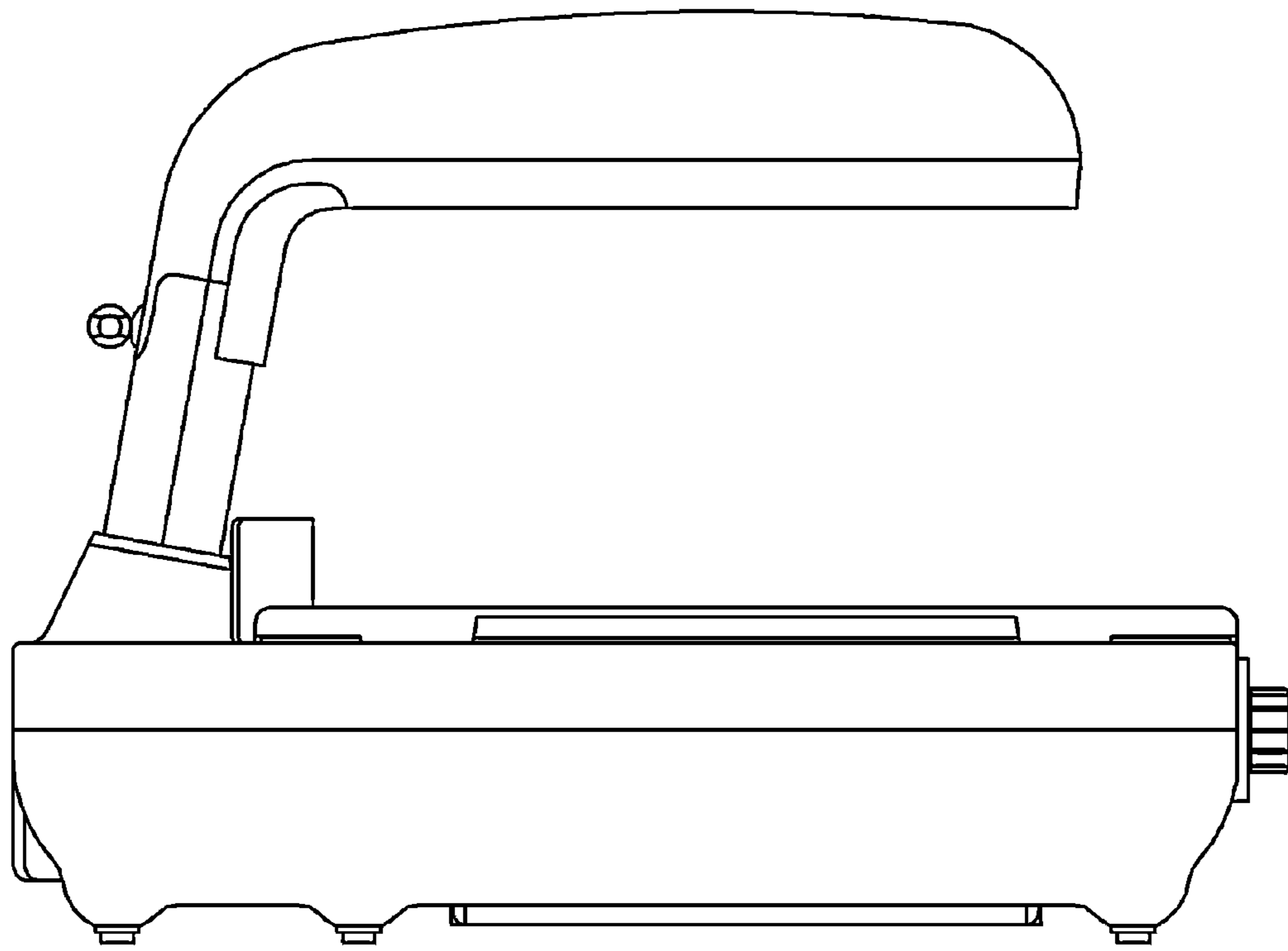


FIG. 4

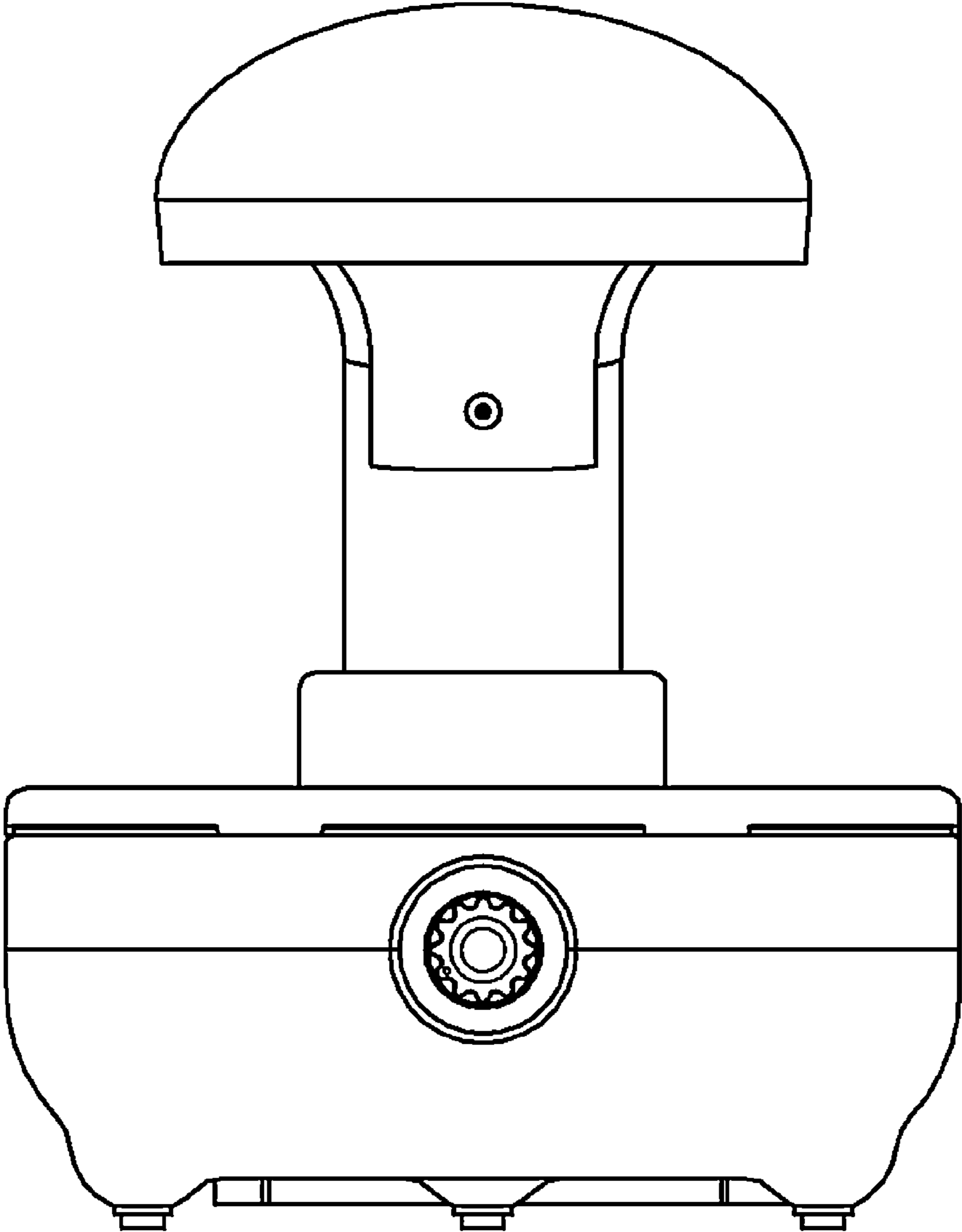


FIG. 5

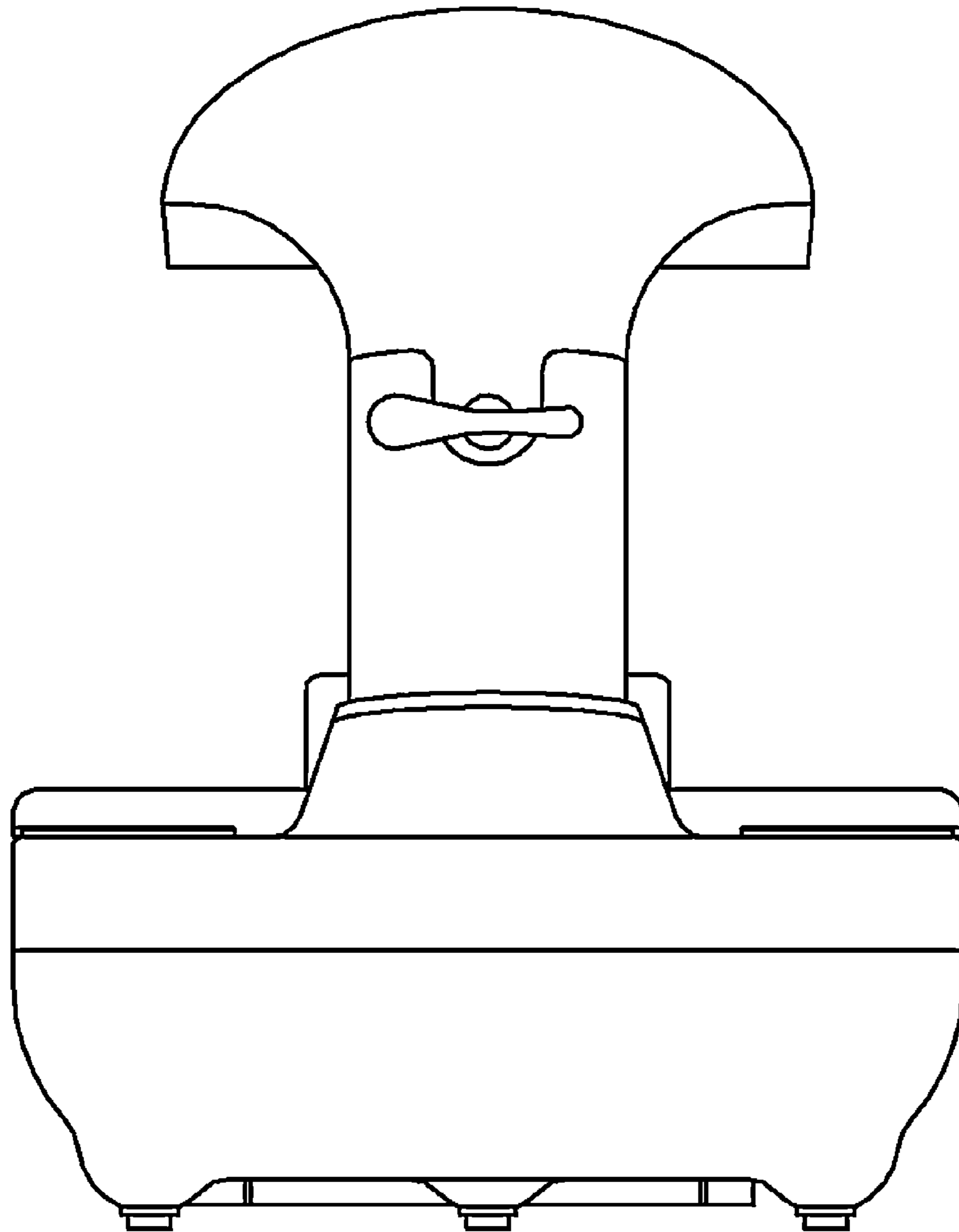


FIG. 6

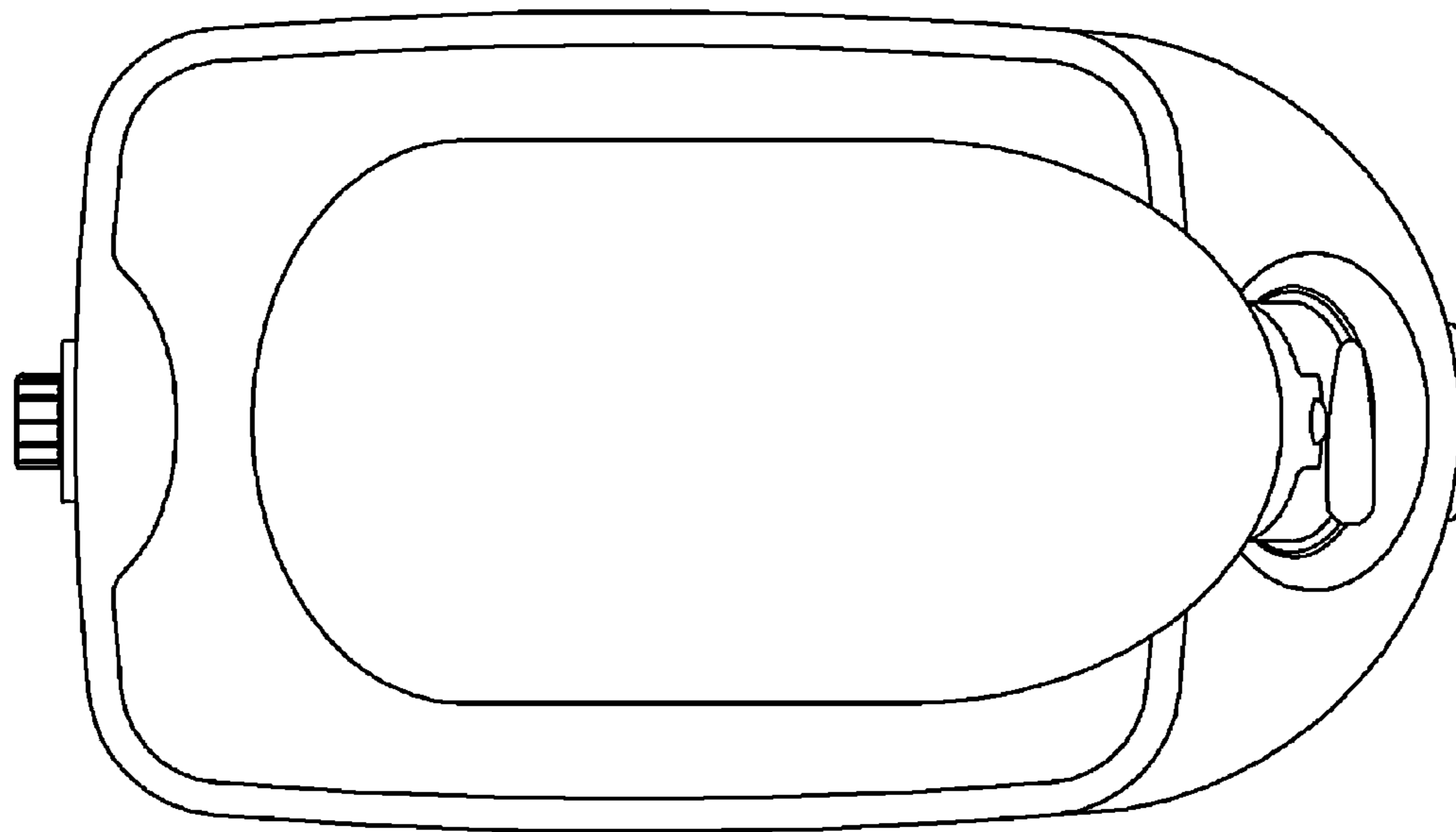


FIG. 7

