



US00D710141S

(12) **United States Design Patent**
Vulliermet

(10) **Patent No.:** **US D710,141 S**

(45) **Date of Patent:** **** Aug. 5, 2014**

(54) **STEAM BOTTLE WARMER**

(71) Applicant: **Beaba**, Paris (FR)

(72) Inventor: **Jean-Paul Vulliermet**, Agde (FR)

(73) Assignee: **Beaba**, Paris (FR)

(**) Term: **14 Years**

(21) Appl. No.: **29/448,202**

(22) Filed: **Mar. 11, 2013**

(30) **Foreign Application Priority Data**

Feb. 13, 2013 (EM) 2183970-0001

(51) **LOC (10) Cl.** **07-02**

(52) **U.S. Cl.**
USPC **D7/326**

(58) **Field of Classification Search**

USPC D7/323, 326-327, 368, 372, 376, 378,
D7/383, 386, 601, 602, 605; D14/413;
D19/73; 99/359, 413, 417; 126/261;
165/73-75, 80.5; 219/385, 386, 428,
219/430, 521; 220/592.23; 392/333

See application file for complete search history.

(56) **References Cited**

U.S. PATENT DOCUMENTS

D423,872 S * 5/2000 Blaise D7/378
D441,370 S * 5/2001 Alviar D14/413

D487,668 S * 3/2004 Sands D7/378
D517,859 S * 3/2006 Fung D7/372
D529,758 S * 10/2006 Beesley et al. D7/378
D530,975 S * 10/2006 Fernandez D7/378
D532,648 S * 11/2006 Sands D7/376
D554,427 S * 11/2007 Sands D7/378
D580,985 S * 11/2008 Farnworth et al. D19/73
D580,986 S * 11/2008 Farnworth et al. D19/73
D603,215 S * 11/2009 Hollinger D7/386
D621,206 S * 8/2010 Matta et al. D7/372
D622,095 S * 8/2010 Metaxatos et al. D7/383

* cited by examiner

Primary Examiner — Ricky Pham

(74) *Attorney, Agent, or Firm* — Burr & Brown, PLLC

(57) **CLAIM**

The ornamental design for a steam bottle warmer, as shown and described.

DESCRIPTION

FIG. 1 is a perspective view of a steam bottle warmer illustrating our new design;
FIG. 2 a front view thereof;
FIG. 3 is a rear view thereof;
FIG. 4 is a left side view thereof;
FIG. 5 is a right side view thereof;
FIG. 6 is a top view thereof; and,
FIG. 7 is a bottom view thereof.

1 Claim, 7 Drawing Sheets

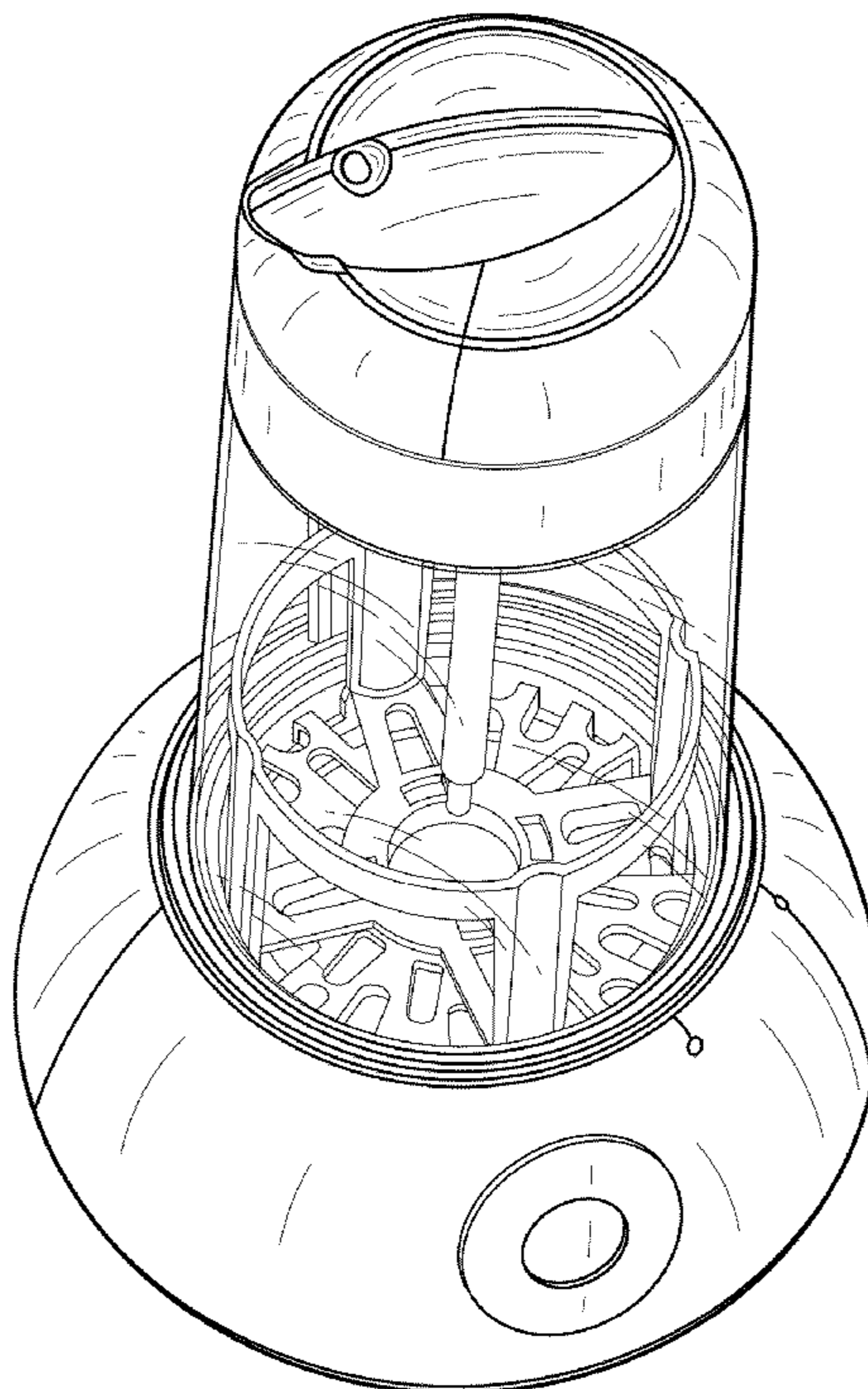


FIG. 1

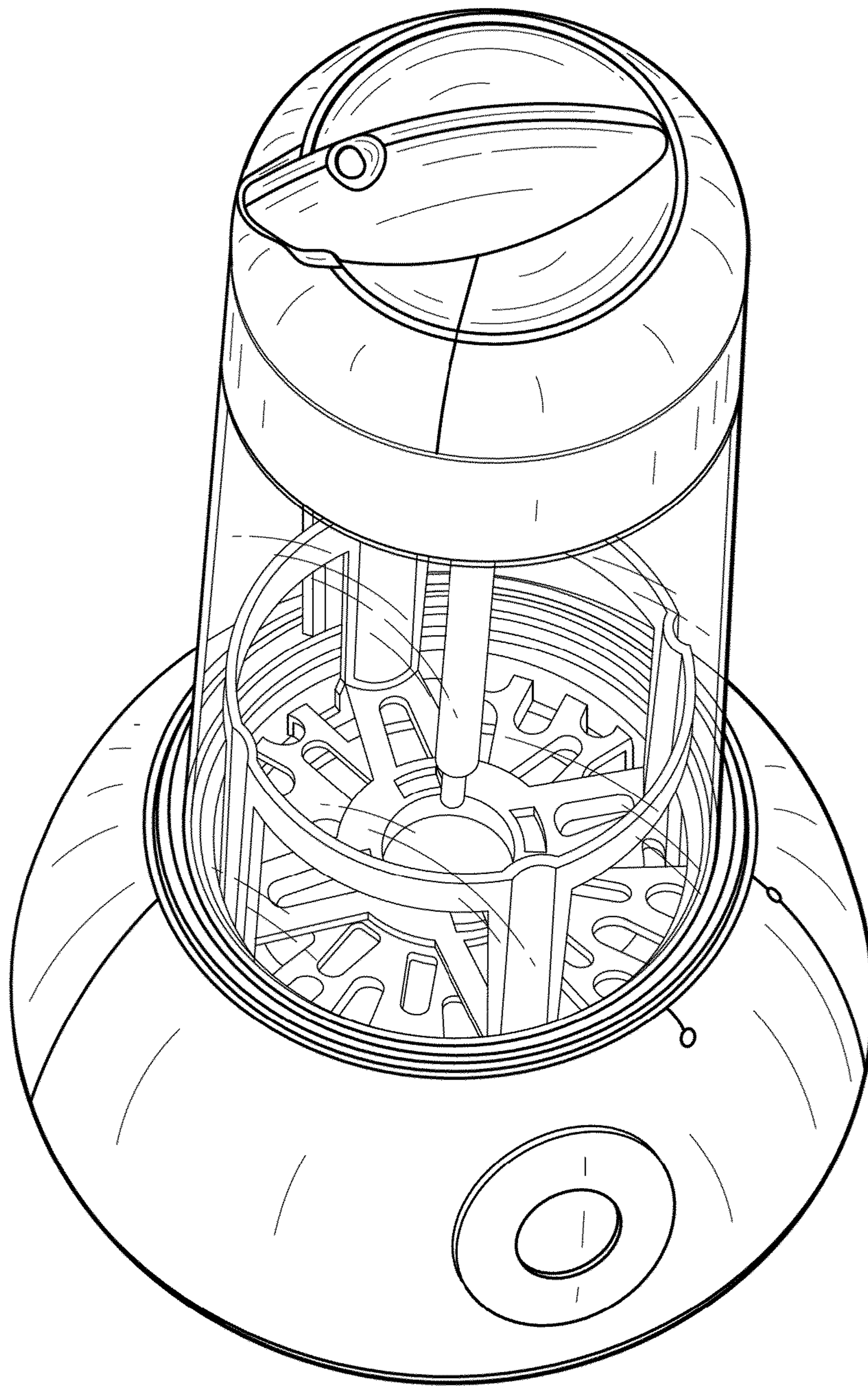


FIG. 2

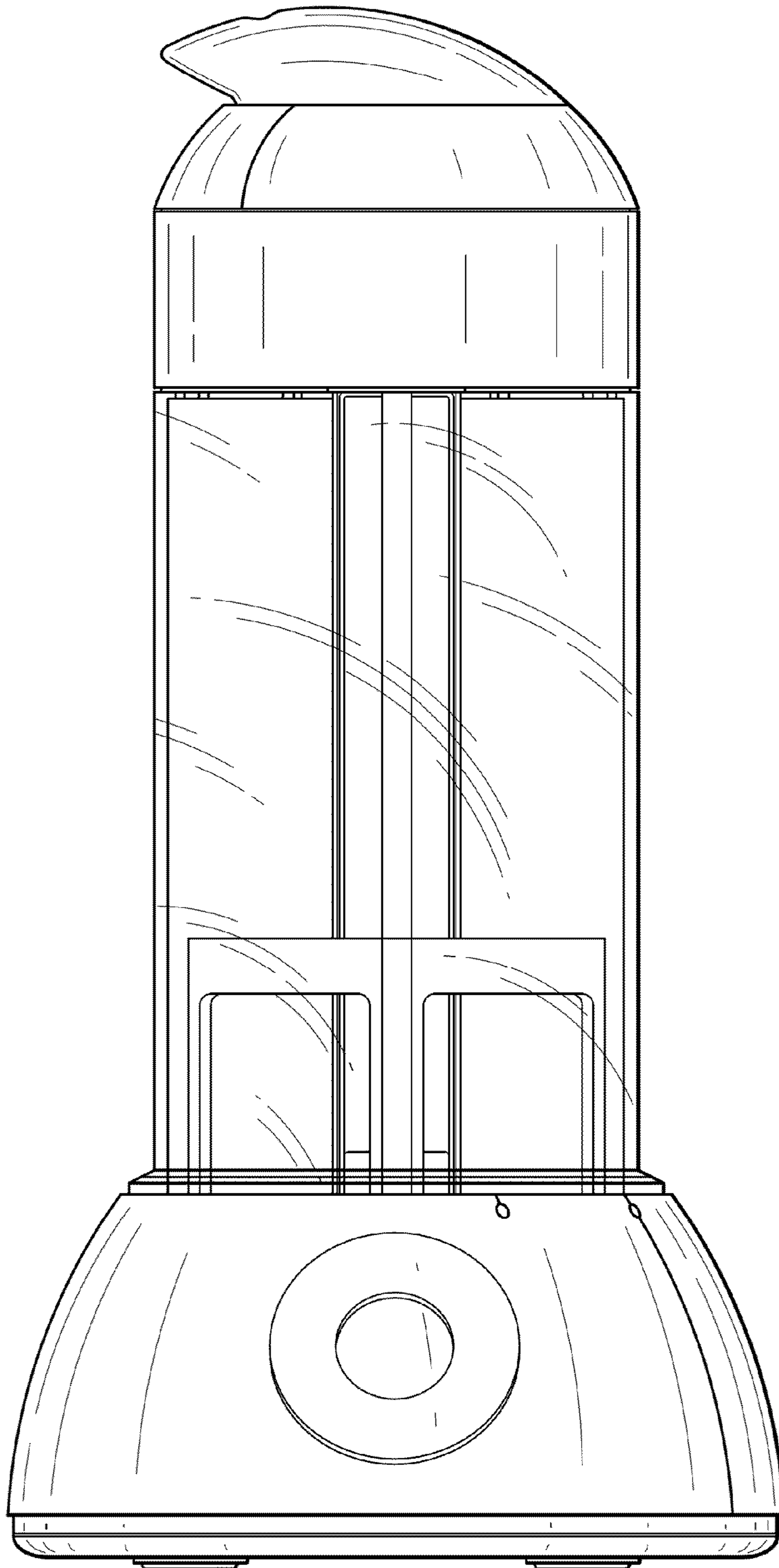


FIG. 3

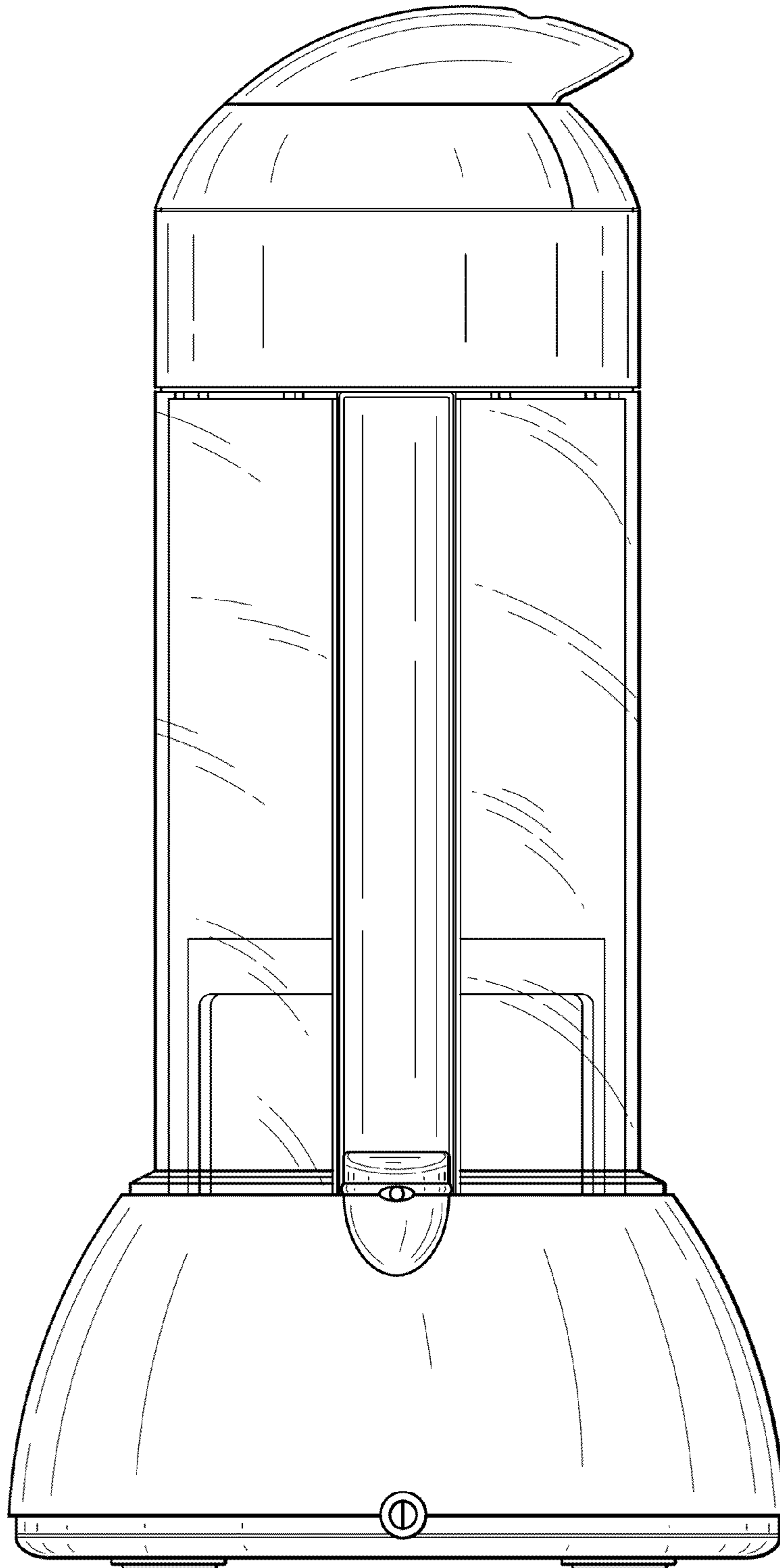


FIG. 4

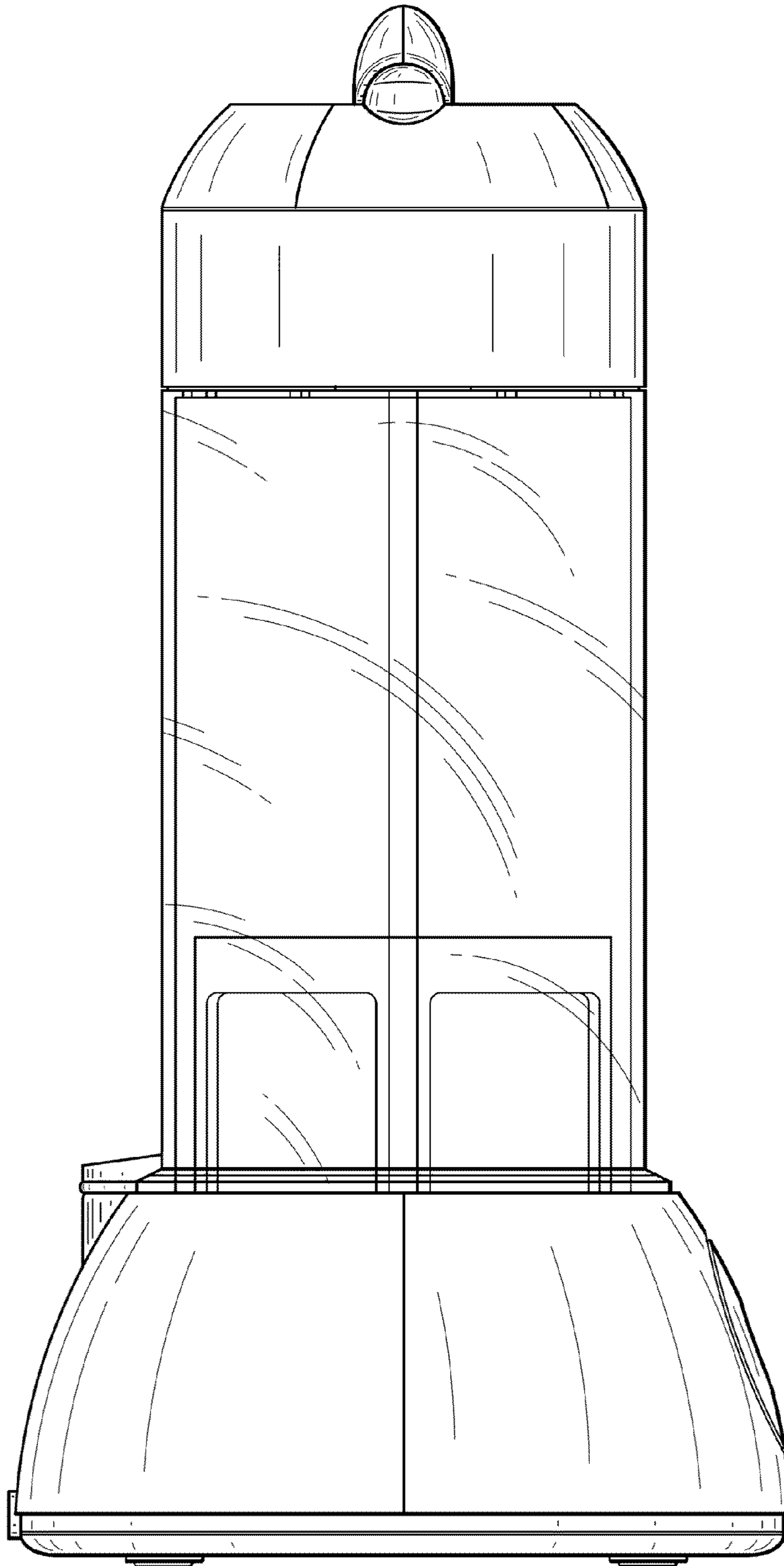


FIG. 5

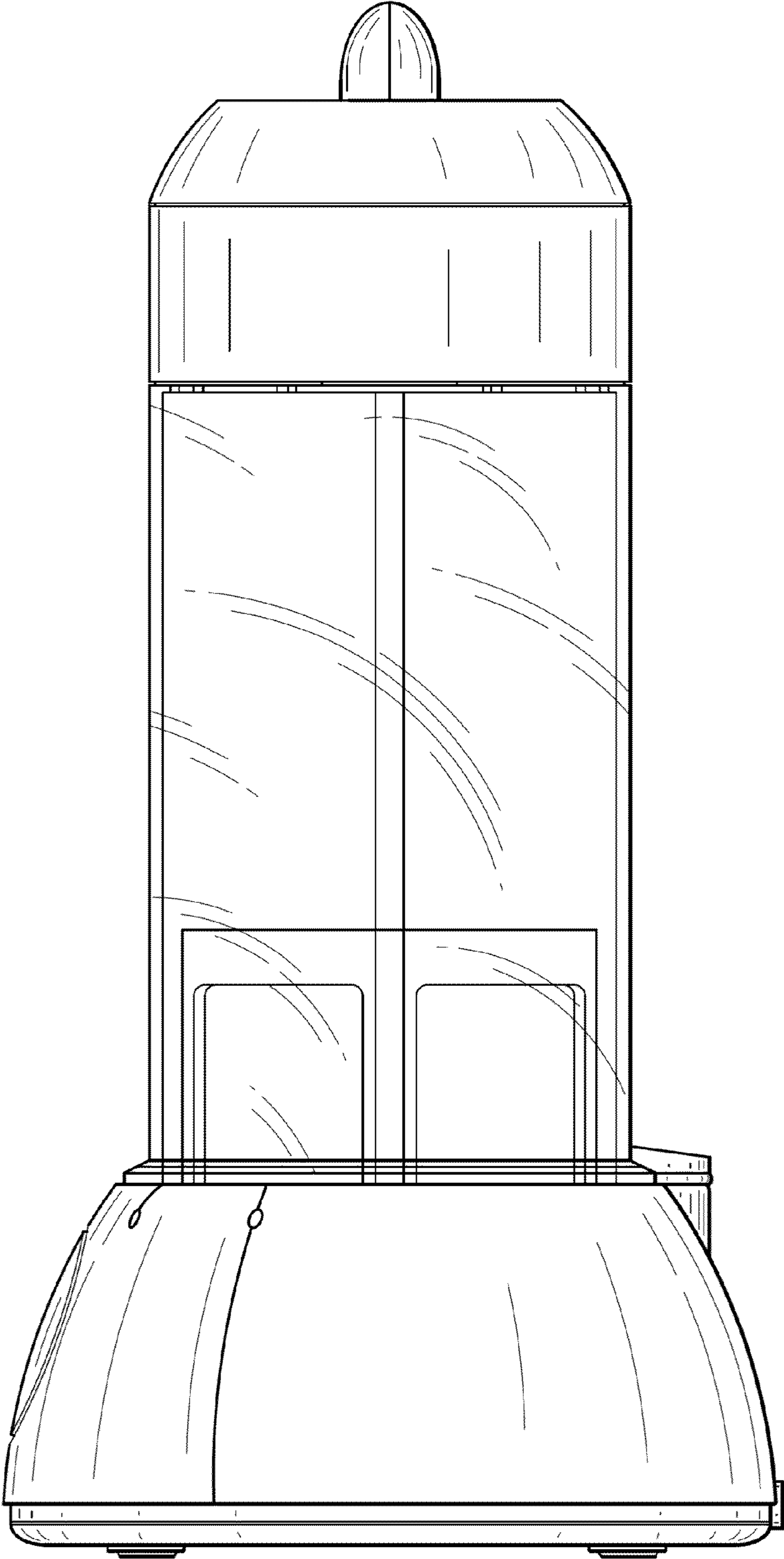


FIG. 6

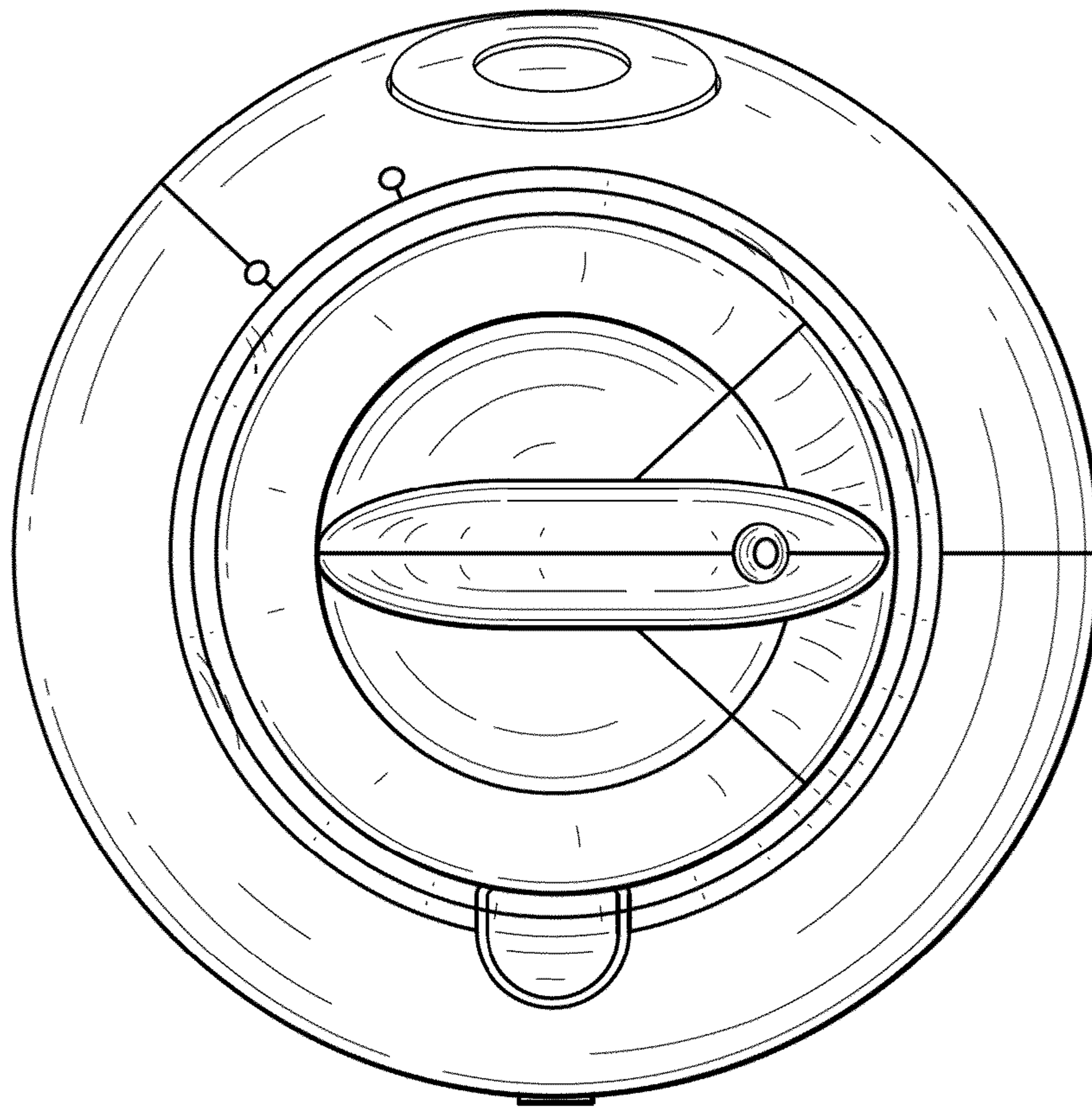


FIG. 7

