



US00D710139S

(12) **United States Design Patent**  
**Skalka**

(10) **Patent No.:** **US D710,139 S**

(45) **Date of Patent:** **\*\* Aug. 5, 2014**

- (54) **END FRAME FOR A BENCH**
- (71) Applicant: **Victor Stanley, Inc.**, Dunkirk, MD (US)
- (72) Inventor: **Gerald P. Skalka**, Potomac, MD (US)
- (73) Assignee: **Victor Stanley, Inc.**, Dunkirk, MD (US)
- (\*\*) Term: **14 Years**

D509,675 S *	9/2005	Reza-Hadden	.....	D6/381
D512,229 S *	12/2005	Reza-Hadden	.....	D6/355
D513,893 S *	1/2006	Reza-Hadden	.....	D6/355
D522,281 S *	6/2006	Schiefer et al.	.....	D6/495
D522,282 S *	6/2006	Schiefer et al.	.....	D6/495
D523,263 S	6/2006	Skalka		
D525,809 S *	8/2006	Hughes	.....	D6/492
D526,514 S *	8/2006	Hughes	.....	D6/492
D526,518 S *	8/2006	Schiefer et al.	.....	D6/501
D526,805 S	8/2006	Skalka		
D528,831 S *	9/2006	Rizzi	.....	D6/500

(21) Appl. No.: **29/469,980**

(22) Filed: **Oct. 16, 2013**

(51) **LOC (10) Cl.** ..... **06-01**

(52) **U.S. Cl.**  
USPC ..... **D6/717**

(58) **Field of Classification Search**  
USPC ..... D6/334–336, 355, 370–381, 388, 492,  
D6/495, 500–502, 708, 716, 716.1–716.4,  
D6/717; 297/232–233, 283.1–283.2,  
297/445.1, 446.1, 448.1, 452.63  
See application file for complete search history.

(56) **References Cited**

U.S. PATENT DOCUMENTS

D165,952 S *	2/1952	Weatherly	.....	D6/375
D263,353 S *	3/1982	Beals	.....	D6/370
D314,677 S *	2/1991	Hanna	.....	D6/381
D376,271 S	12/1996	Skalka		
D376,937 S	12/1996	Skalka		
D383,615 S	9/1997	Skalka		
D384,512 S	10/1997	Skalka		
D386,012 S	11/1997	Skalka		
D408,660 S *	4/1999	Donnelly	.....	D6/500
D419,004 S *	1/2000	Collins	.....	D6/492
D419,341 S *	1/2000	Chipman	.....	D6/492
D457,742 S *	5/2002	Arnold	.....	D6/370
D458,475 S *	6/2002	Hecht et al.	.....	D6/492
D467,101 S *	12/2002	Hughes	.....	D6/495
D468,550 S *	1/2003	Pappas	.....	D6/381
D473,063 S *	4/2003	Pappas	.....	D6/381
D486,004 S *	2/2004	Haney et al.	.....	D6/379

(Continued)

OTHER PUBLICATIONS

U.S. Appl. No. 29/469,974, filed Oct. 16, 2013.

(Continued)

*Primary Examiner* — Ricky Pham

(74) *Attorney, Agent, or Firm* — Westerman, Hattori,  
Daniels & Adrian, LLP

(57) **CLAIM**

The ornamental design for an end frame for a bench, as shown  
and described.

**DESCRIPTION**

FIG. 1 is an isometric view of an end frame for a bench  
showing my new design.

FIG. 2 is a right side elevational view of the end frame for a  
bench of FIG. 1, the left side elevational view being a mirror  
image thereof.

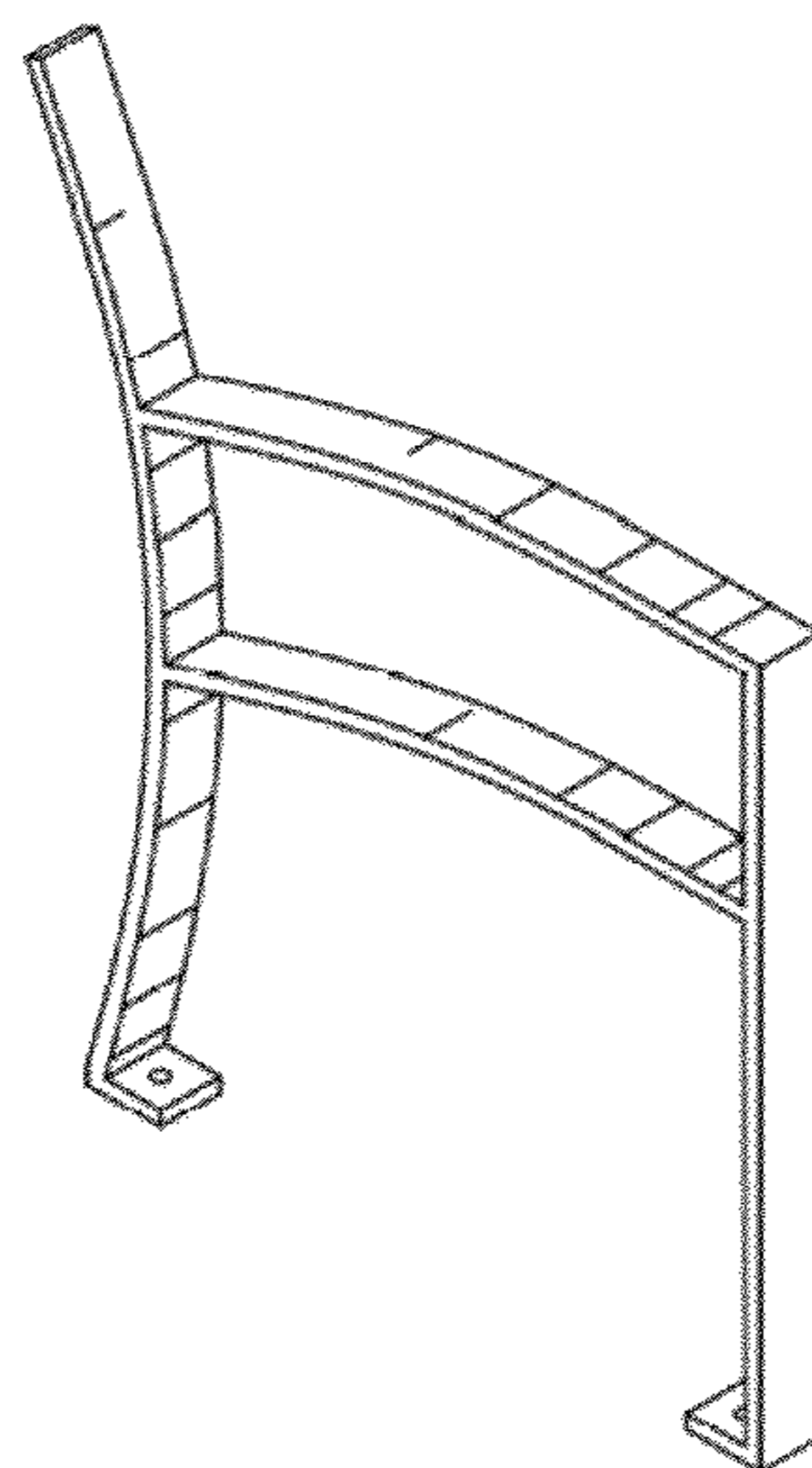
FIG. 3 is a front elevational view of the end frame for a bench  
of FIG. 1.

FIG. 4 is a bottom plan view of the end frame for a bench of  
FIG. 1.

FIG. 5 is a top plan view of the end frame for a bench of FIG.  
1; and,

FIG. 6 is a back elevational view of the end frame for a bench  
of FIG. 1.

**1 Claim, 1 Drawing Sheet**



(56)

References Cited

U.S. PATENT DOCUMENTS

D530,535 S 10/2006 Skalka  
D532,620 S 11/2006 Skalka  
D532,630 S \* 11/2006 Rizzi ..... D6/500  
D534,021 S \* 12/2006 Rizzi ..... D6/500  
D563,689 S 3/2008 Skalka  
D571,581 S \* 6/2008 Weimer et al. .... D6/492  
D572,048 S \* 7/2008 Weimer et al. .... D6/492  
D572,947 S \* 7/2008 Weimer et al. .... D6/492  
D578,808 S \* 10/2008 Pappas ..... D6/495  
D579,684 S 11/2008 Skalka  
D579,685 S \* 11/2008 Skalka ..... D6/381  
D585,210 S \* 1/2009 Rizzi ..... D6/381  
D585,211 S \* 1/2009 Rizzi ..... D6/381  
D585,220 S \* 1/2009 Skalka ..... D6/492  
D590,621 S \* 4/2009 Pappas ..... D6/381

D629,233 S \* 12/2010 Slear et al. .... D6/492  
D629,234 S \* 12/2010 Marousek ..... D6/492  
D632,104 S \* 2/2011 Marousek ..... D6/492  
D680,346 S \* 4/2013 Pedersen et al. .... D6/370  
D689,320 S \* 9/2013 Watton ..... D6/717  
D696,885 S \* 1/2014 Skalka ..... D6/716.1  
D697,352 S \* 1/2014 Skalka ..... D6/716.1

OTHER PUBLICATIONS

“RB-28 Steelsites™ RB Series”, Victor Stanley, Inc., 2011.  
“Steelsites™ RB Series RMS-24”, Victor Stanley, Inc., 2013, <http://www.victorstanley.com/products/printVersion.aspx?id=446>, Oct. 2, 2013.  
Notice of Allowance and Fee(s) Due dated Apr. 9, 2014, issued in Design U.S. Appl. No. 29/469,974 (20 pages).

\* cited by examiner

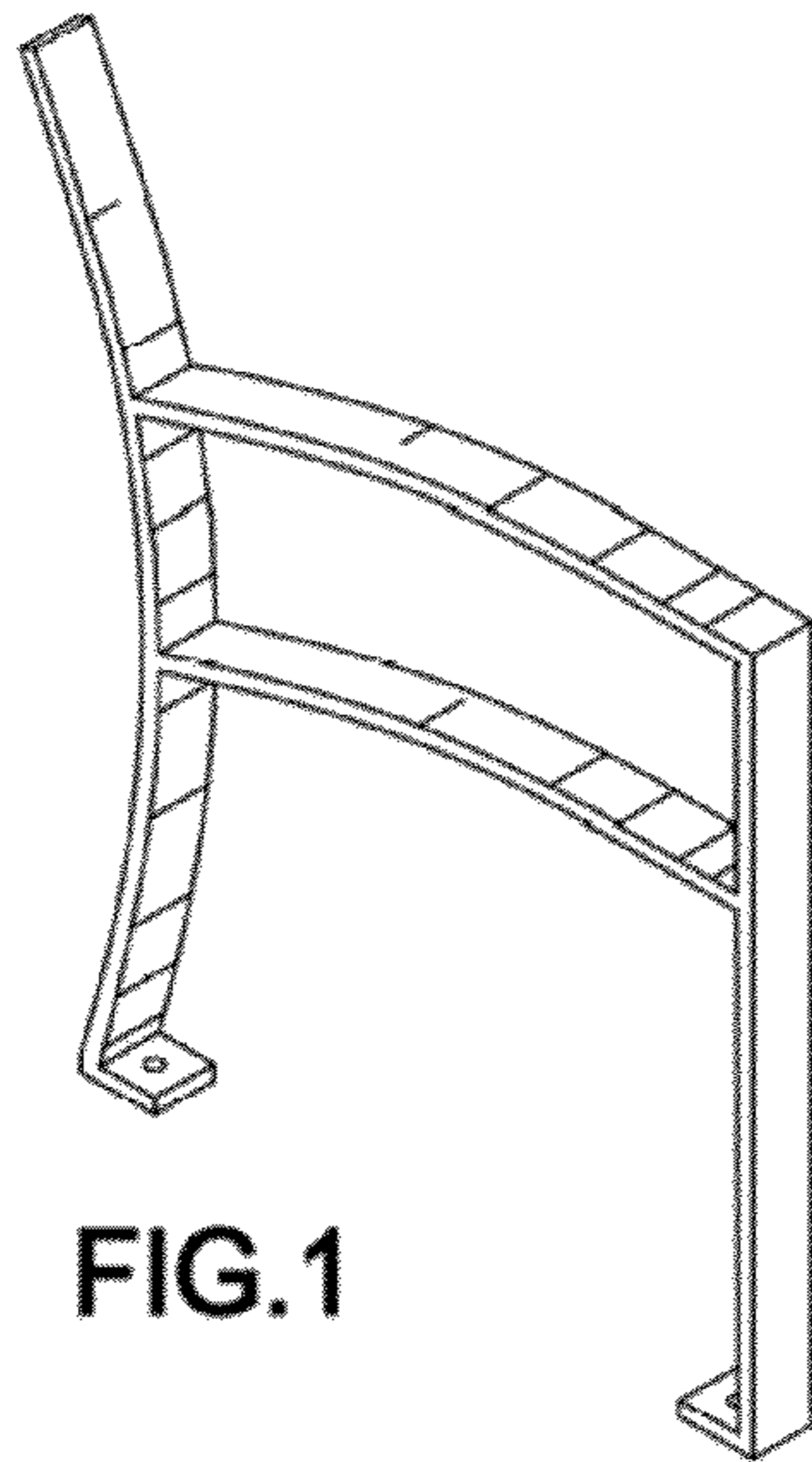


FIG. 1

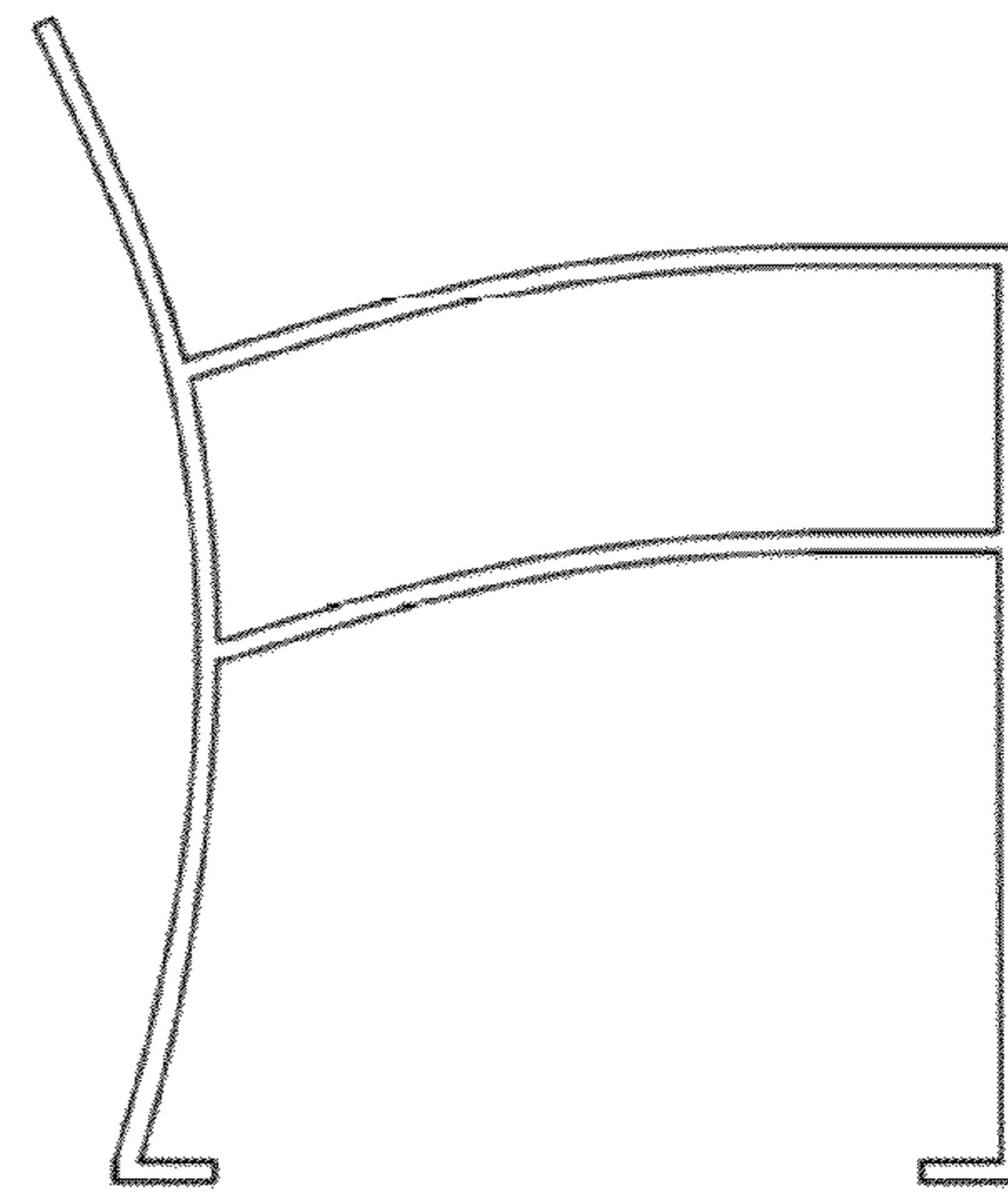


FIG. 2

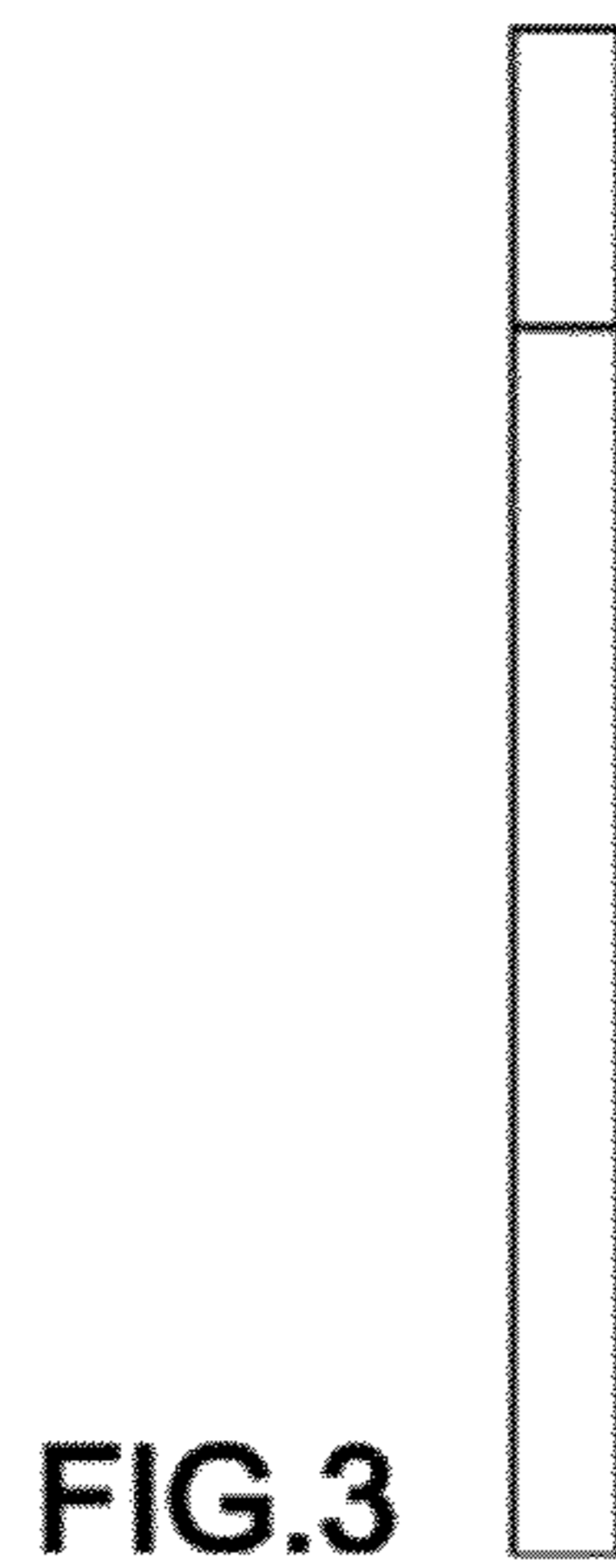


FIG. 3

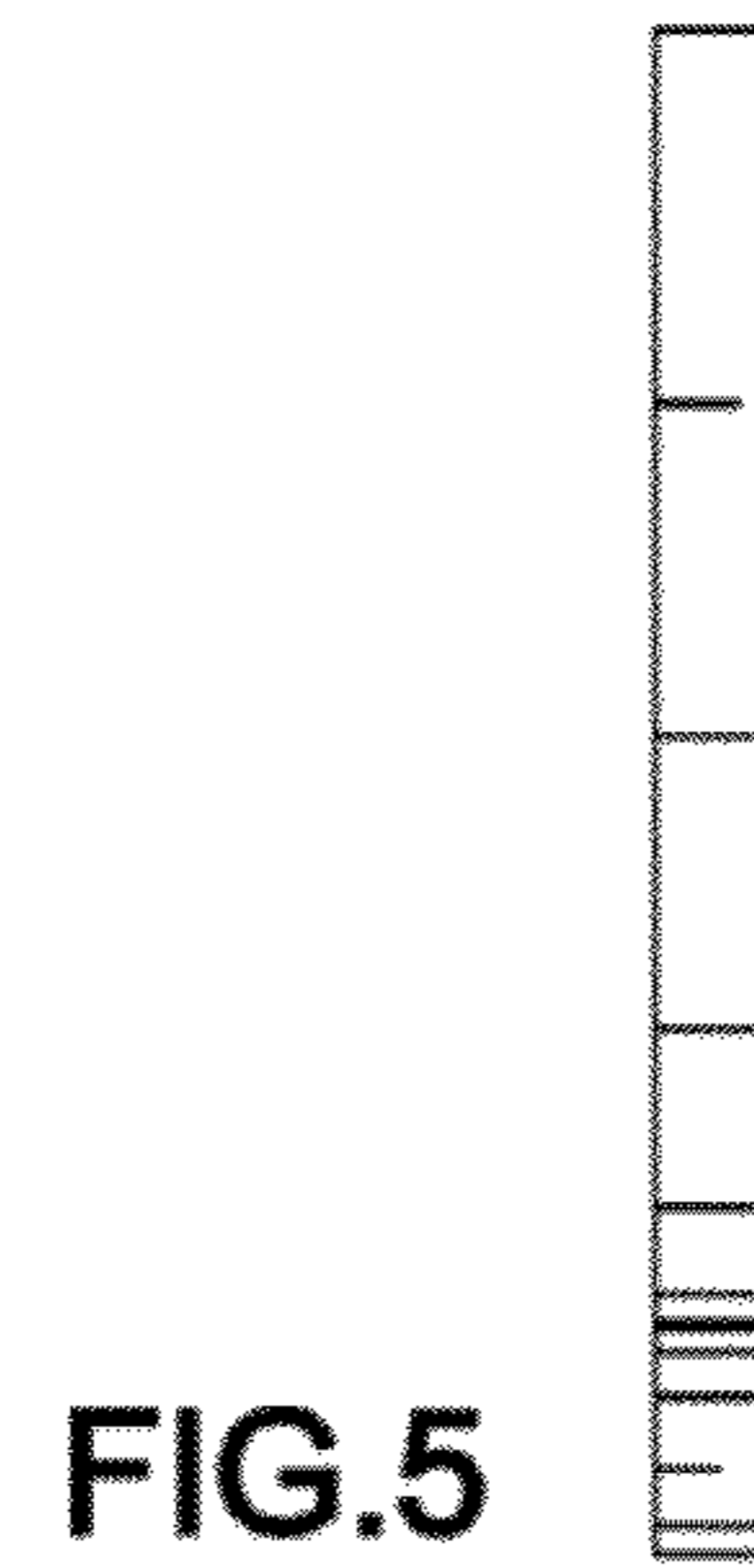


FIG. 5

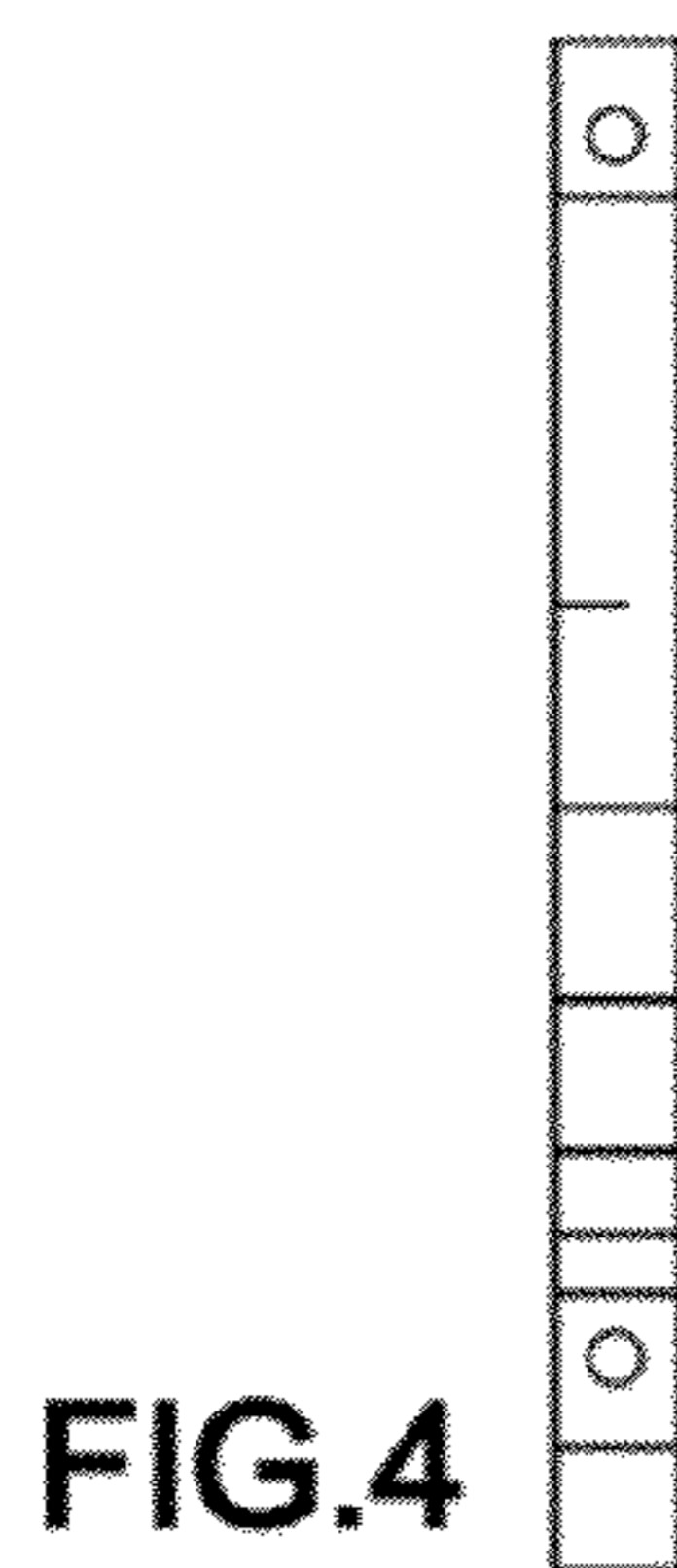


FIG. 4

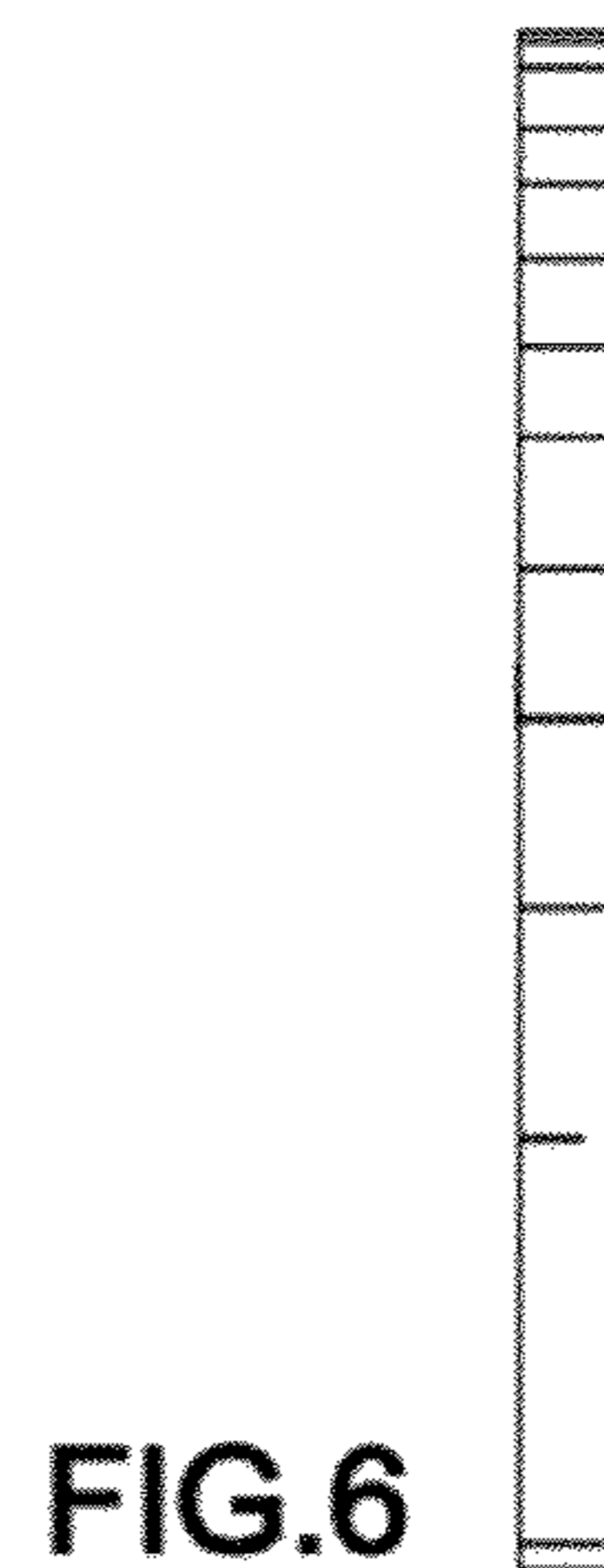


FIG. 6