



US00D710138S

(12) **United States Design Patent**  
**Wu**

(10) **Patent No.:** **US D710,138 S**  
(45) **Date of Patent:** **\*\* Aug. 5, 2014**

(54) **SKELETON OF CHAIR**

(71) Applicant: **Harrison Wu**, New Taipei (TW)

(72) Inventor: **Harrison Wu**, New Taipei (TW)

(\*\*) Term: **14 Years**

(21) Appl. No.: **29/466,809**

(22) Filed: **Sep. 11, 2013**

(51) **LOC (10) Cl.** ..... **06-01**

(52) **U.S. Cl.**  
USPC ..... **D6/716**

(58) **Field of Classification Search**  
USPC ..... D6/334–336, 348–349, 363, 366–369,  
D6/371–376, 379, 716, 716.1–716.4;  
273/396; 297/16.1, 16.2, 31, 34,  
297/45–47, 50, 56, 271.6, 314, 411.41,  
297/440.11, 440.24, 448.1, 451.4, 452.12,  
297/452.13; 473/197, 431, 456  
See application file for complete search history.

(56) **References Cited**

**U.S. PATENT DOCUMENTS**

D168,212	S *	11/1952	Cicchelli	.....	D6/379
D171,265	S *	1/1954	Phillips	.....	D6/375
2,684,709	A *	7/1954	Schawinsky	.....	297/411.41
2,723,712	A *	11/1955	Yellen	.....	297/440.11
D179,376	S *	12/1956	Breed	.....	D6/366
D184,202	S *	12/1958	Yuen	.....	D6/369
2,930,430	A *	3/1960	Bloom	.....	297/271.6
3,180,685	A *	4/1965	Rogalski et al.	.....	297/440.24
3,656,808	A *	4/1972	Chang	.....	297/451.4
3,694,030	A *	9/1972	Grosfillex	.....	297/448.1
D292,048	S *	9/1987	Shaffer	.....	D6/363
6,554,717	B2 *	4/2003	Cho	.....	473/197
6,824,207	B1 *	11/2004	Lin	.....	297/16.1
D499,258	S *	12/2004	Tseng	.....	D6/368
6,840,573	B1 *	1/2005	Yao	.....	297/16.1
6,848,740	B1 *	2/2005	Reese	.....	297/16.1
6,877,814	B2 *	4/2005	Lin	.....	297/440.24
6,883,862	B1 *	4/2005	Yao	.....	297/16.1

7,011,372	B1 *	3/2006	Hsieh	.....	297/440.24
7,178,864	B2 *	2/2007	Hsieh	.....	297/45
7,264,245	B2 *	9/2007	Cho	.....	273/396
D554,873	S *	11/2007	Ma	.....	D6/349
D555,378	S *	11/2007	Tsai	.....	D6/368
7,404,601	B2 *	7/2008	Chen	.....	297/16.2
D608,104	S *	1/2010	Vonnegut	.....	D6/372
7,648,421	B2 *	1/2010	Yoon	.....	473/197
7,938,489	B2 *	5/2011	Nazari	.....	297/314
D649,800	S *	12/2011	Lievore et al.	.....	D6/373
D656,326	S *	3/2012	Soewondo	.....	D6/348
8,282,509	B1 *	10/2012	Michaelson et al.	.....	473/456
D677,920	S *	3/2013	Christakos	.....	D6/368
D681,970	S *	5/2013	Christakos	.....	D6/368
D683,156	S *	5/2013	Christakos	.....	D6/368
D688,057	S *	8/2013	Christakos	.....	D6/368
D691,384	S *	10/2013	Akkad	.....	D6/368
2002/0183128	A1 *	12/2002	Cho	.....	473/197
2003/0060309	A1 *	3/2003	Smith, IV	.....	473/431
2005/0088018	A1 *	4/2005	Yao	.....	297/16.1
2007/0187998	A1 *	8/2007	Chen	.....	297/45

\* cited by examiner

*Primary Examiner* — Ricky Pham

(74) *Attorney, Agent, or Firm* — Muncy, Geissler, Olds & Lowe, P.C.

(57) **CLAIM**

The ornamental design for a skeleton of chair, as shown and described.

**DESCRIPTION**

FIG. 1 is a perspective view of a skeleton of chair showing the design.

FIG. 2 is a front elevation view thereof.

FIG. 3 is a rear elevation view thereof.

FIG. 4 is a left side elevation view thereof.

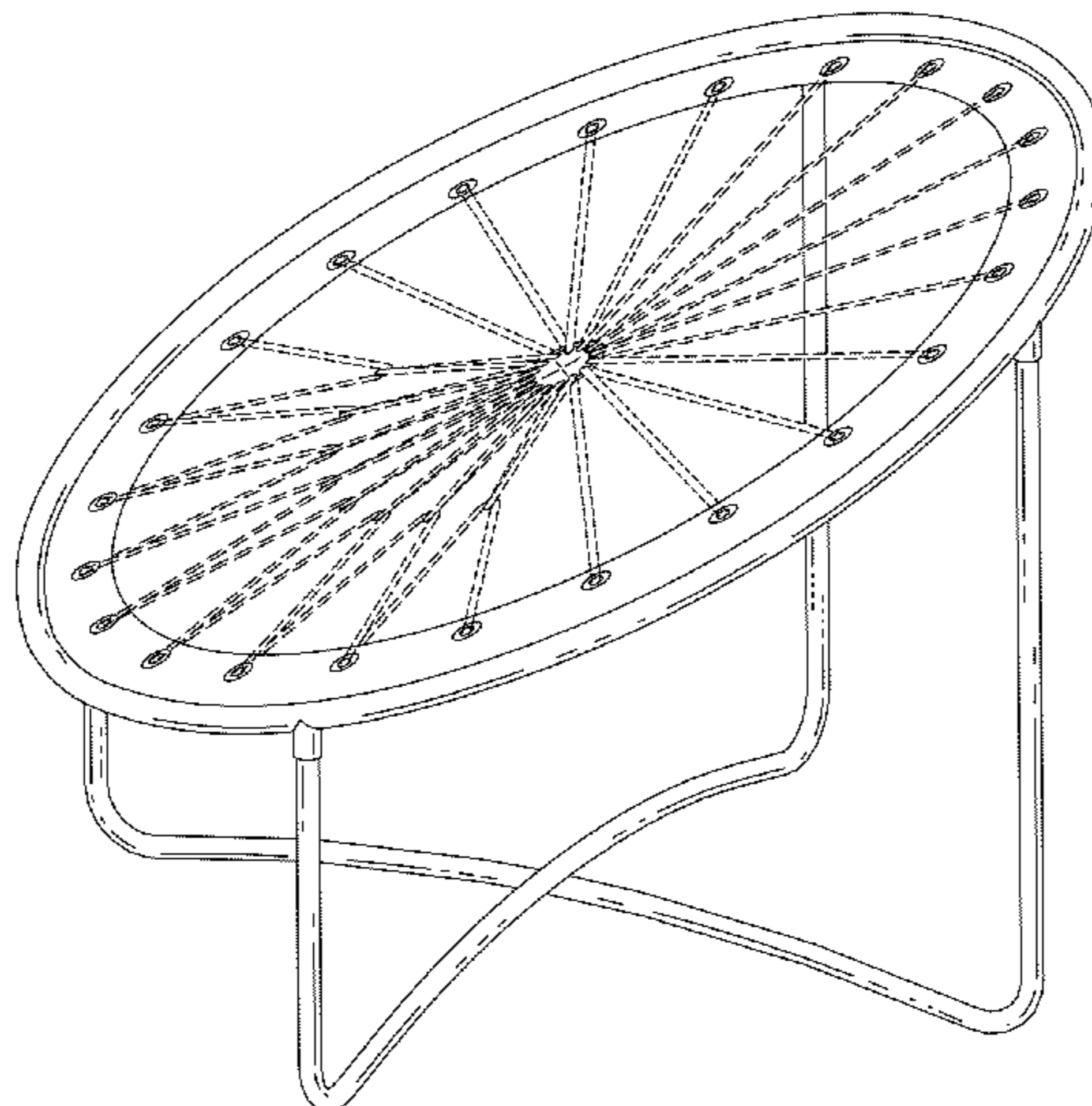
FIG. 5 is a right side elevation view thereof.

FIG. 6 is a top plan view thereof; and,

FIG. 7 is a bottom plan view thereof.

The broken lines shown in the drawings are for illustrative purposes only and form no part of the claimed design.

**1 Claim, 7 Drawing Sheets**



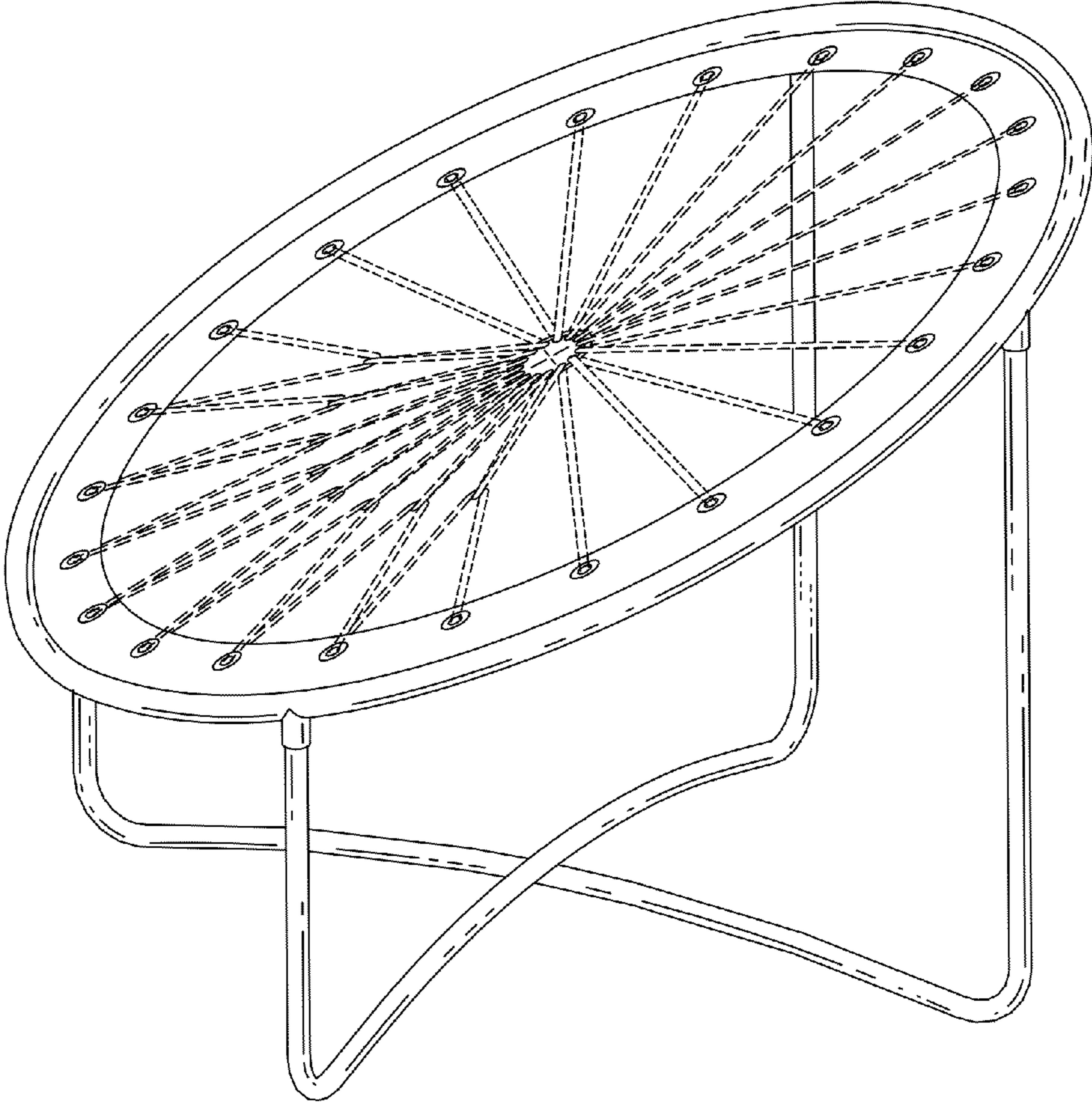


FIG. 1

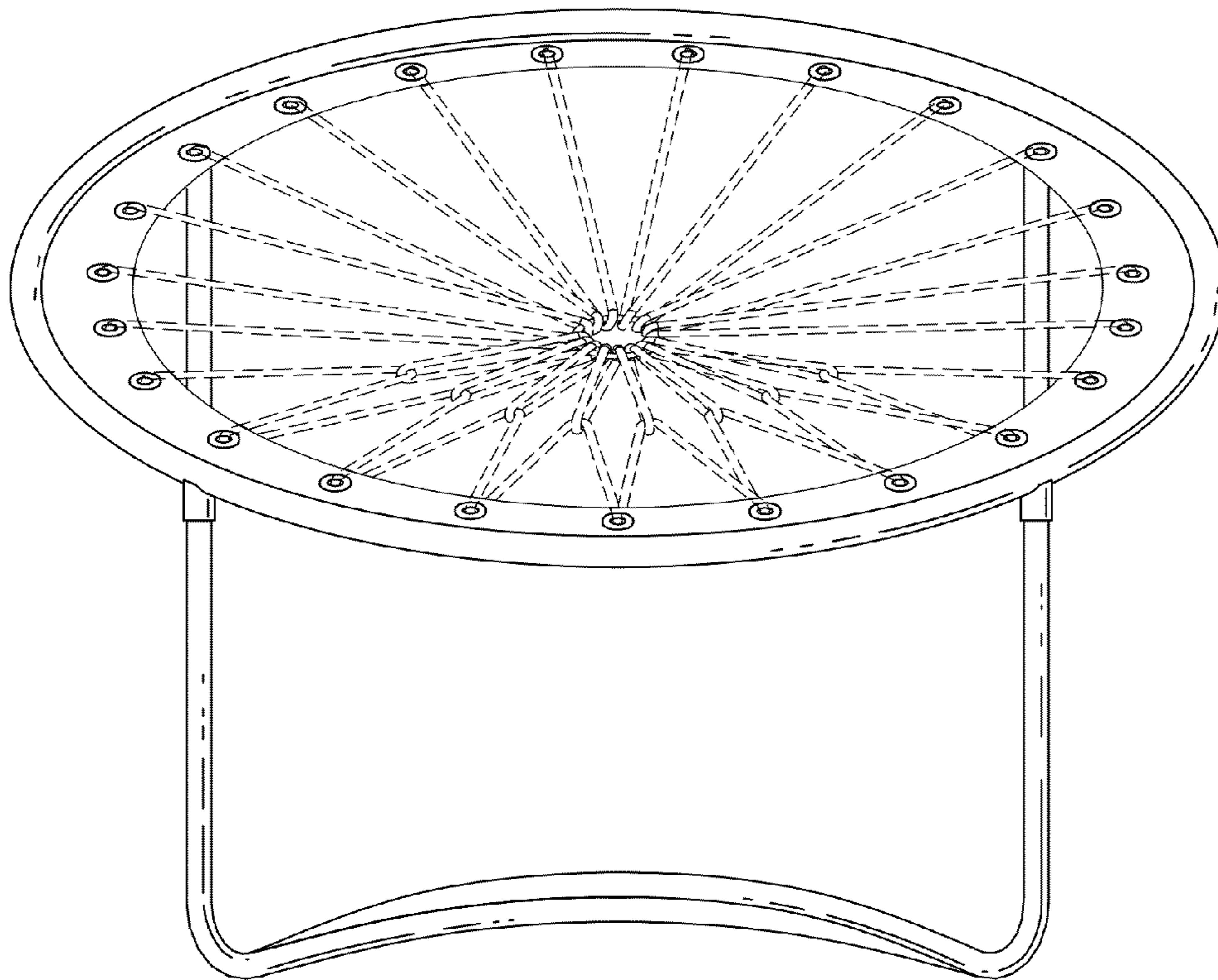


FIG. 2



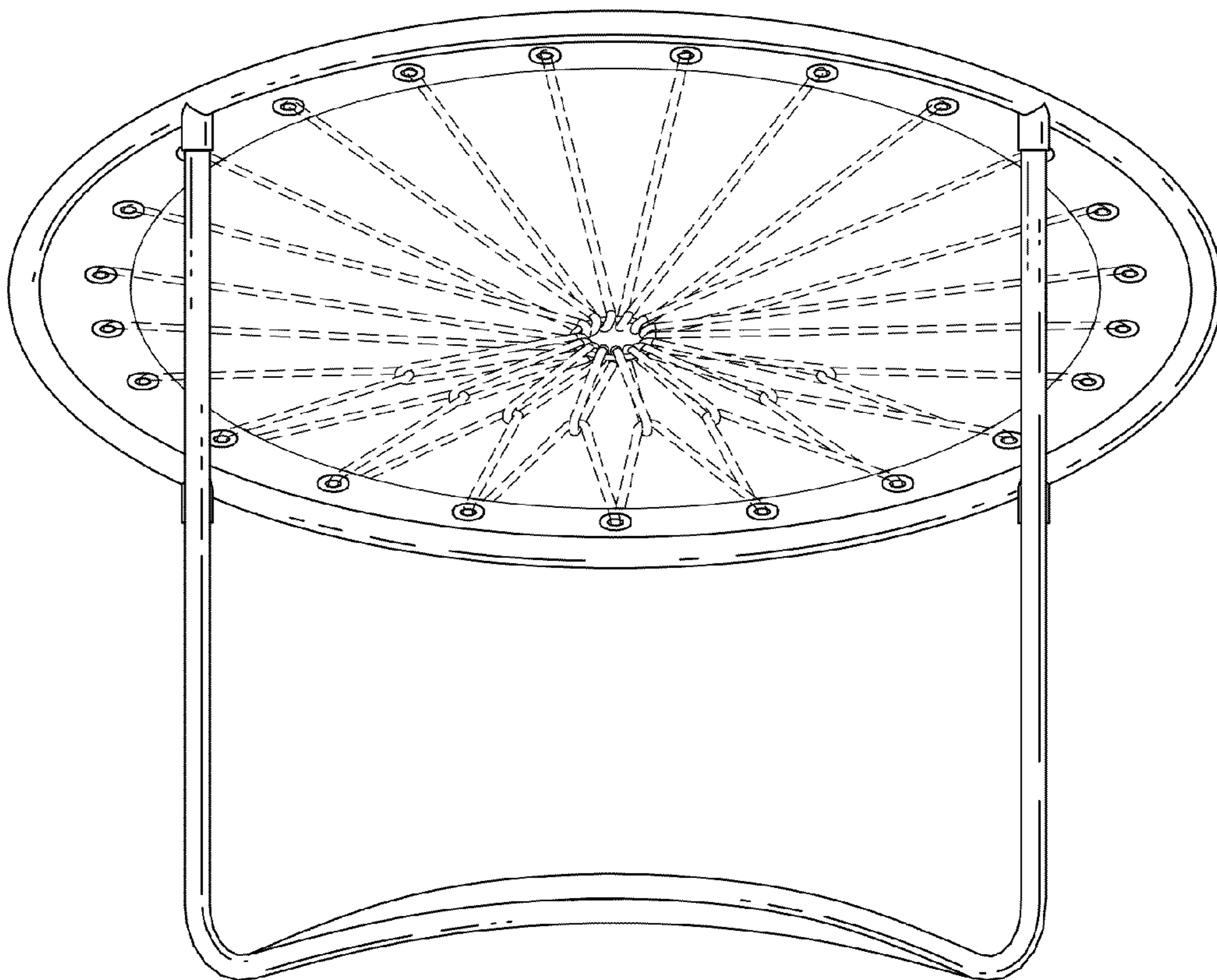


FIG. 3

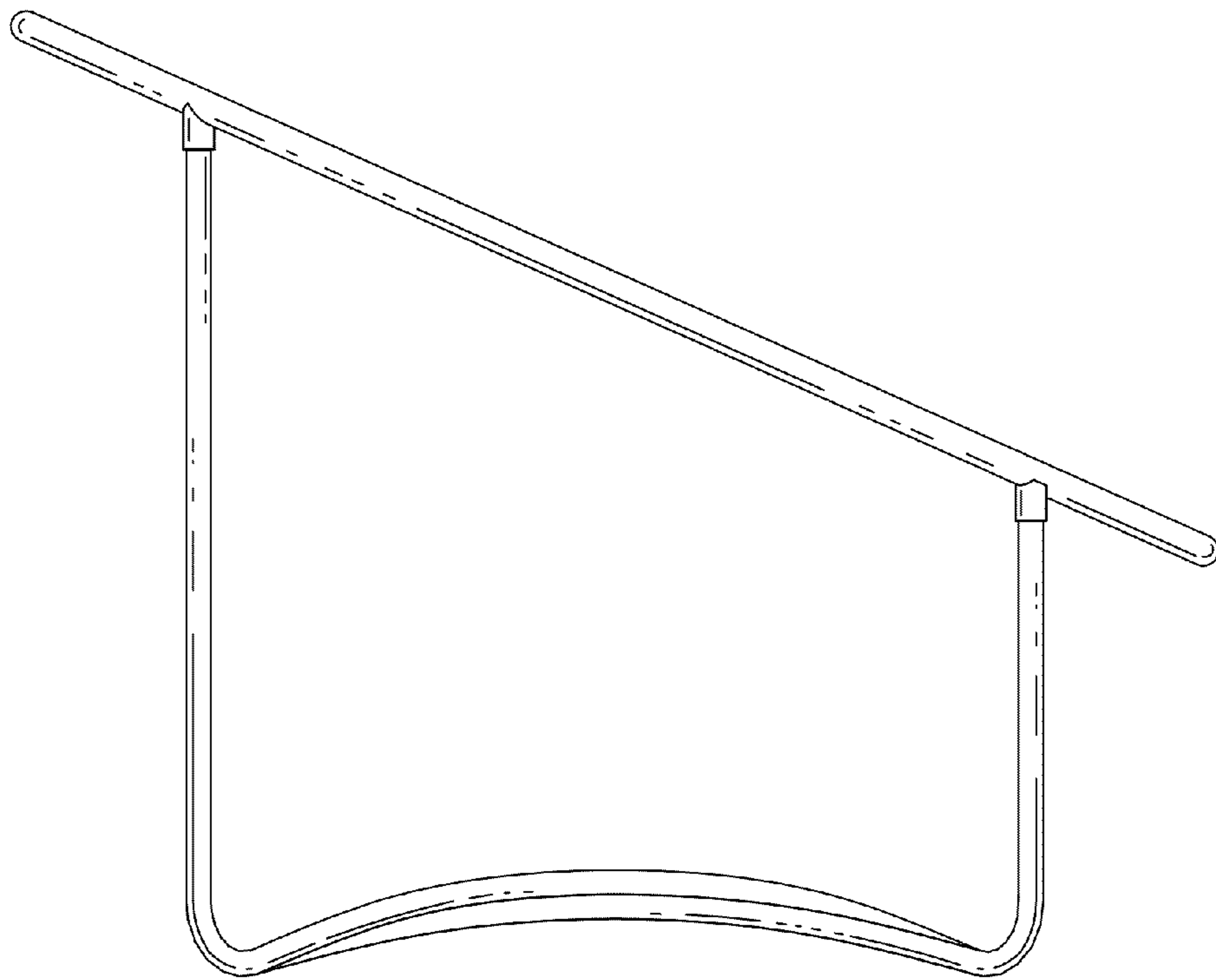


FIG. 4

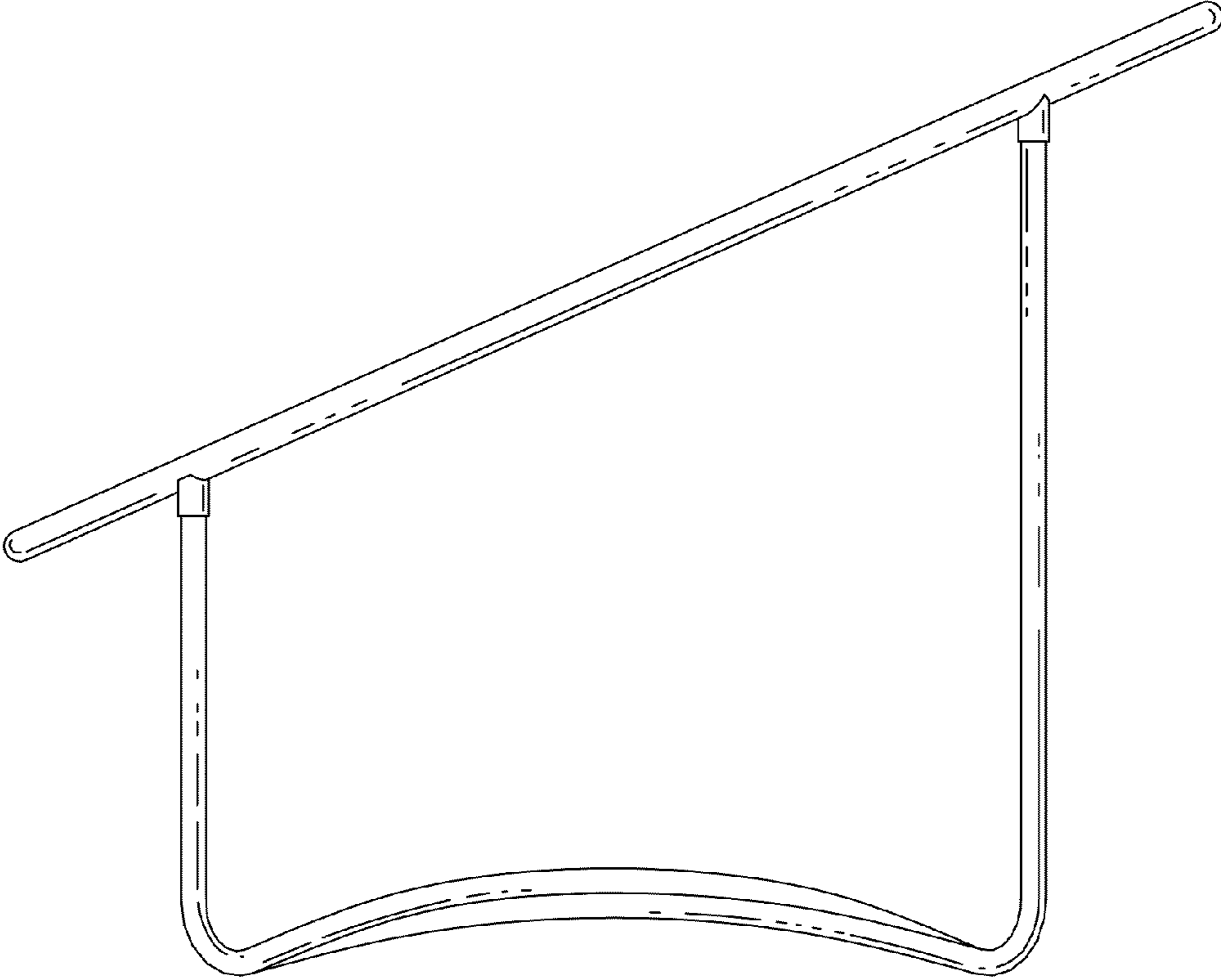


FIG. 5

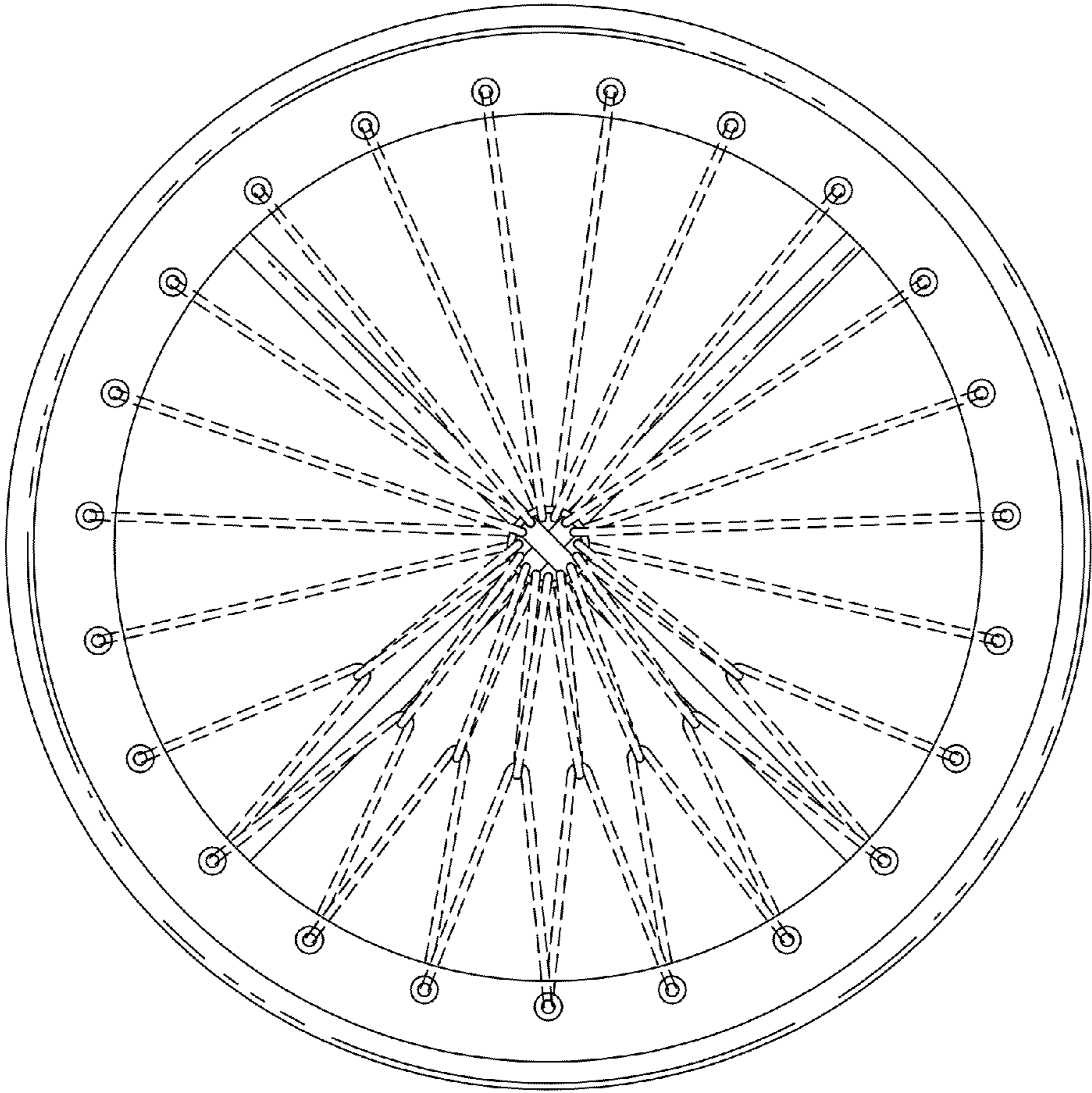


FIG. 6

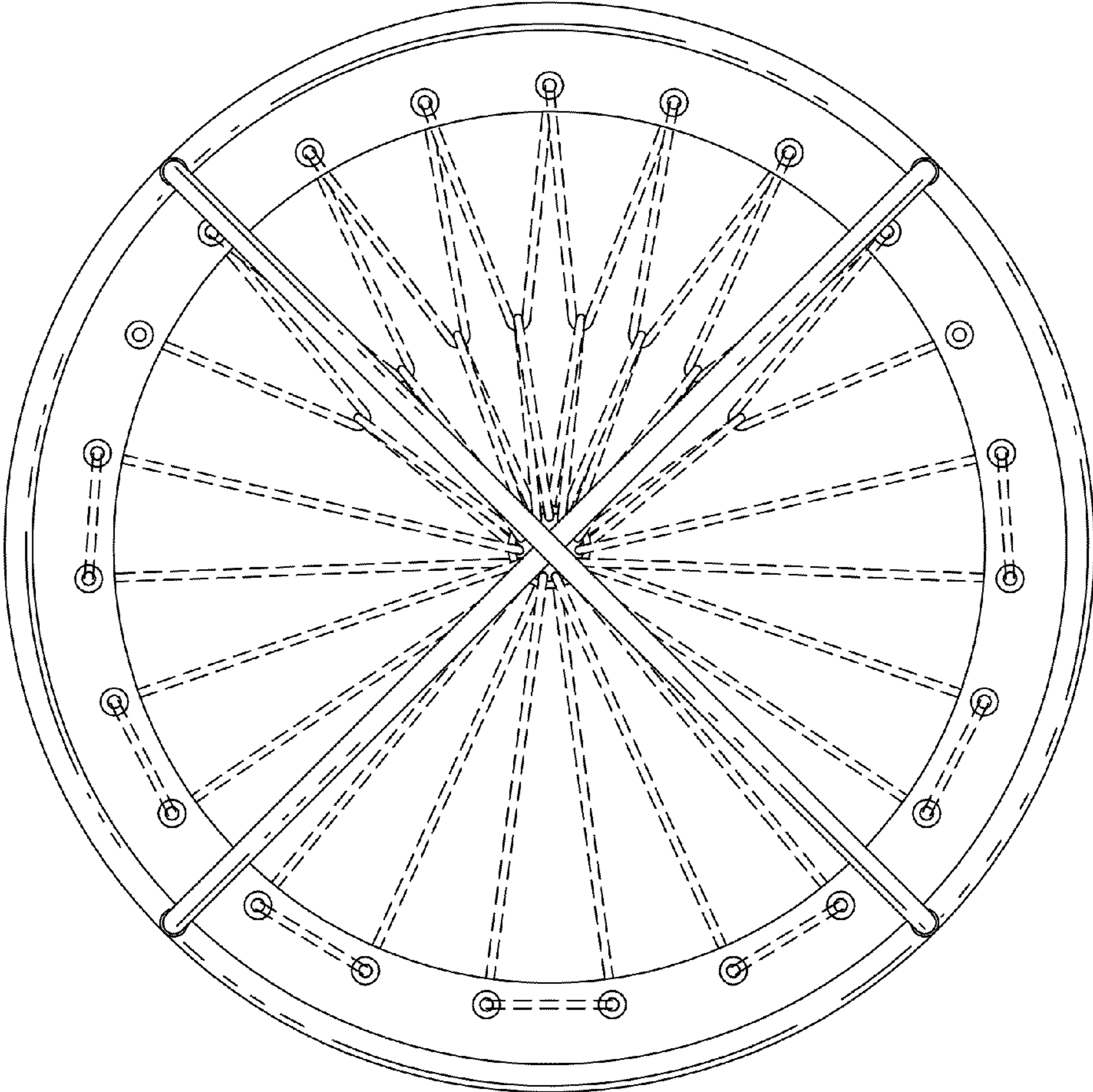


FIG. 7