



US00D710136S

(12) **United States Design Patent**
Wu

(10) **Patent No.:** **US D710,136 S**
(45) **Date of Patent:** **** Aug. 5, 2014**

- (54) **CHAIR**
- (71) Applicant: **Harrison Wu**, New Taipei (TW)
- (72) Inventor: **Harrison Wu**, New Taipei (TW)
- (73) Assignee: **W. K. Wu Products Inc.**, New Taipei (TW)
- (**) Term: **14 Years**
- (21) Appl. No.: **29/458,988**
- (22) Filed: **Jun. 25, 2013**
- (51) **LOC (10) Cl.** **06-01**
- (52) **U.S. Cl.**
USPC **D6/716**
- (58) **Field of Classification Search**
USPC D6/334-336, 348-349, 363, 366-369,
D6/371-376, 379, 716, 716.1-716.4;
273/396; 297/16.1, 16.2, 31, 34,
297/45-47, 50, 56, 271.6, 314, 411.41,
297/440.11, 440.24, 448.1, 451.4, 452.12,
297/452.13; 473/197, 431, 456
See application file for complete search history.

D499,258	S *	12/2004	Tseng	D6/368
6,840,573	B1 *	1/2005	Yao	297/16.1
6,848,740	B1 *	2/2005	Reese	297/16.1
6,877,814	B2 *	4/2005	Lin	297/440.24
6,883,862	B1 *	4/2005	Yao	297/16.1
7,011,372	B1 *	3/2006	Hsieh	297/440.24
7,178,864	B2 *	2/2007	Hsieh	297/45
7,264,245	B2 *	9/2007	Cho	273/396
D554,873	S *	11/2007	Ma et al.	D6/349
D555,378	S *	11/2007	Tsai	D6/368
7,404,601	B2 *	7/2008	Chen	297/16.2
D608,104	S *	1/2010	Vonnegut	D6/372
7,648,421	B2 *	1/2010	Yoon	473/197
7,938,489	B2 *	5/2011	Nazari	297/314
D649,800	S *	12/2011	Lievore et al.	D6/373
D656,326	S *	3/2012	Soewondo	D6/348
8,282,509	B1 *	10/2012	Michaelson et al.	473/456
D677,920	S *	3/2013	Christakos	D6/368
D681,970	S *	5/2013	Christakos	D6/368
D683,156	S *	5/2013	Christakos	D6/368
D688,057	S *	8/2013	Christakos	D6/368
D691,384	S *	10/2013	Akkad	D6/368
2002/0183128	A1 *	12/2002	Cho	473/197

(Continued)

Primary Examiner — Ricky Pham
(74) *Attorney, Agent, or Firm* — Muncy, Geissler, Olds & Lowe, P.C.

(57) **CLAIM**
The ornamental design for a chair, as shown and described.

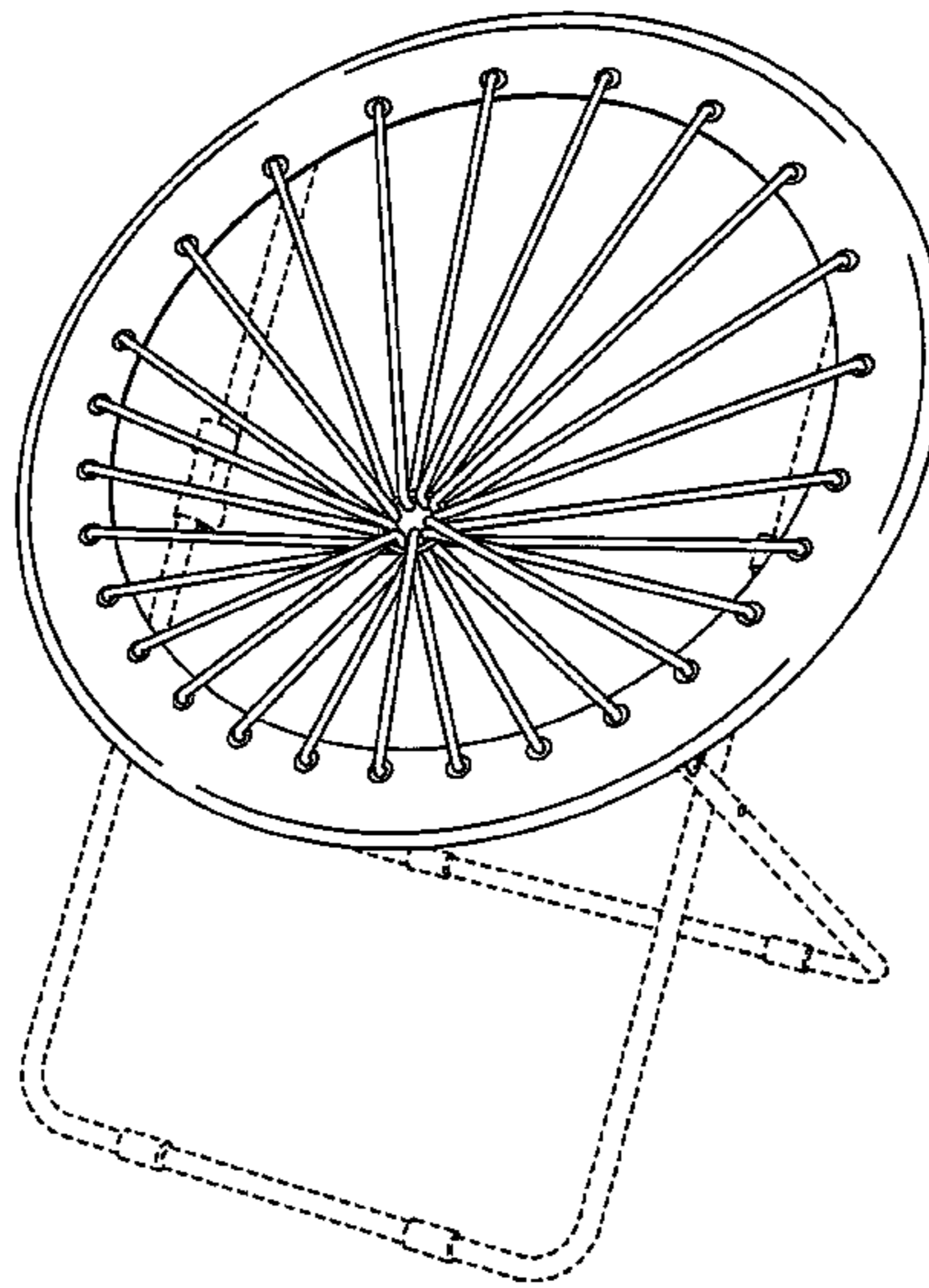
(56) **References Cited**
U.S. PATENT DOCUMENTS

D168,212	S *	11/1952	Cicchelli	D6/379
D171,265	S *	1/1954	Phillips	D6/375
2,684,709	A *	7/1954	Schawinsky	297/411.41
2,723,712	A *	11/1955	Yellen	297/440.11
D179,376	S *	12/1956	Breed	D6/366
D184,202	S *	12/1958	Yuen	D6/369
2,930,430	A *	3/1960	Bloom	297/271.6
3,180,685	A *	4/1965	Rogalski et al.	297/440.24
3,656,808	A *	4/1972	Chang	297/451.4
3,694,030	A *	9/1972	Grosfillex	297/448.1
D292,048	S *	9/1987	Shaffer	D6/363
6,554,717	B2 *	4/2003	Cho	473/197
6,824,207	B1 *	11/2004	Lin	297/16.1

DESCRIPTION

FIG. 1 is a perspective view of a chair showing the design.
FIG. 2 is a front elevation view thereof.
FIG. 3 is a rear elevation view thereof.
FIG. 4 is a left side elevation view thereof.
FIG. 5 is a right side elevation view thereof.
FIG. 6 is a top plan view thereof; and,
FIG. 7 is a bottom plan view thereof.
The broken lines shown in the drawings are for illustrative purposes only and form no part of the claimed design.

1 Claim, 7 Drawing Sheets



US D710,136 S

Page 2

(56)

References Cited

2005/0088018 A1* 4/2005 Yao 297/16.1
2007/0187998 A1* 8/2007 Chen 297/45

U.S. PATENT DOCUMENTS

2003/0060309 A1* 3/2003 Smith, IV 473/431 * cited by examiner

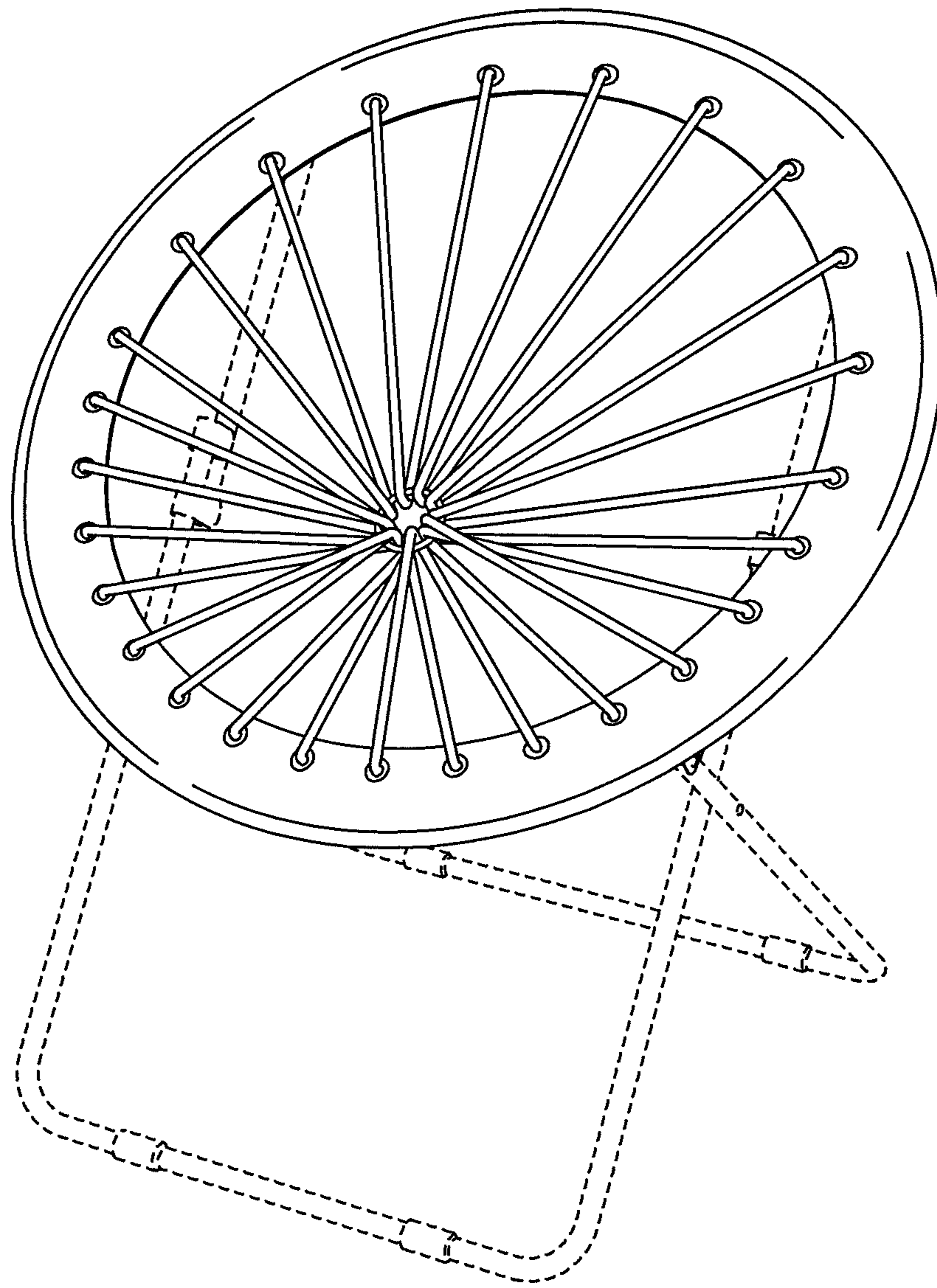


FIG. 1

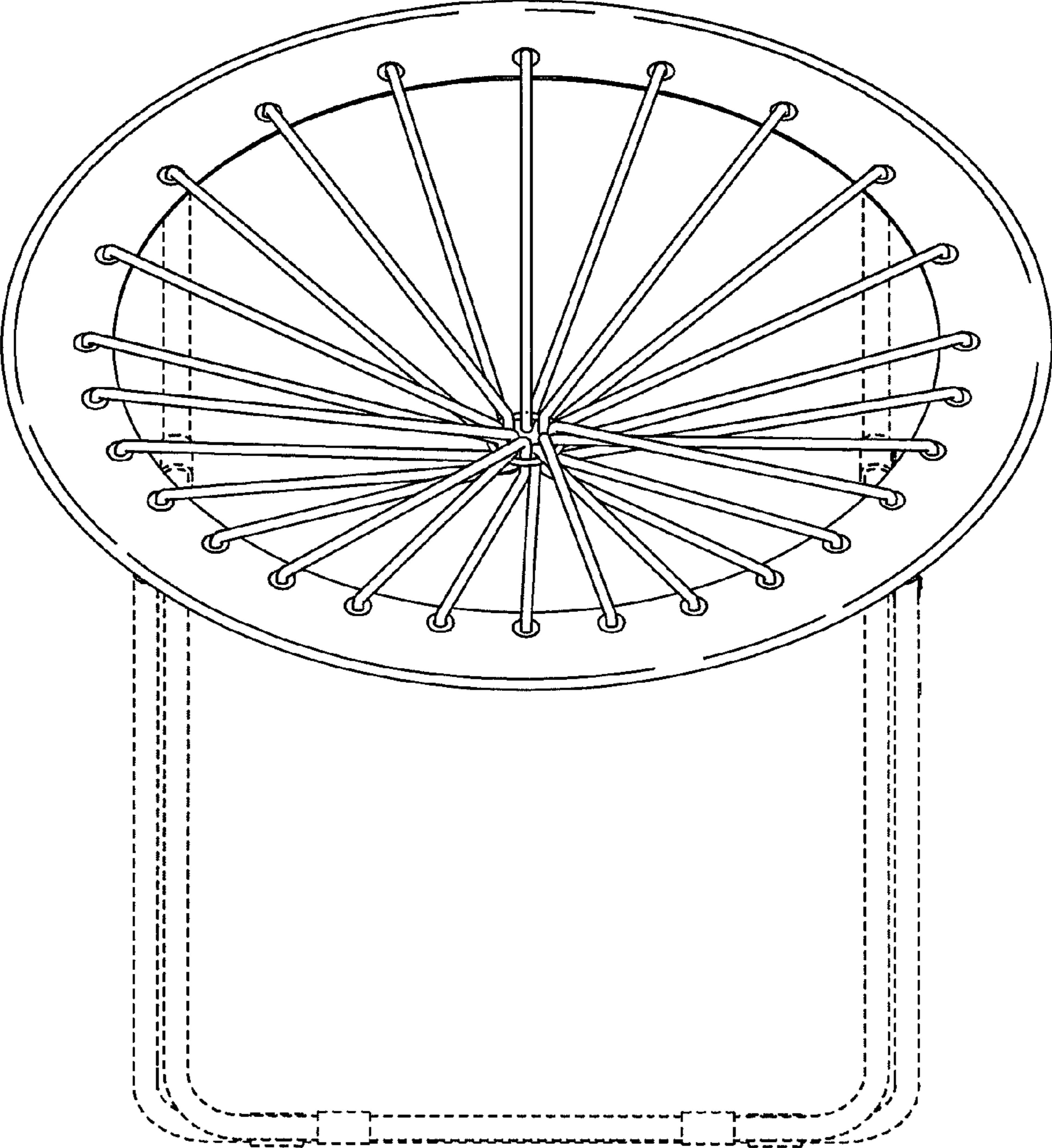


FIG. 2

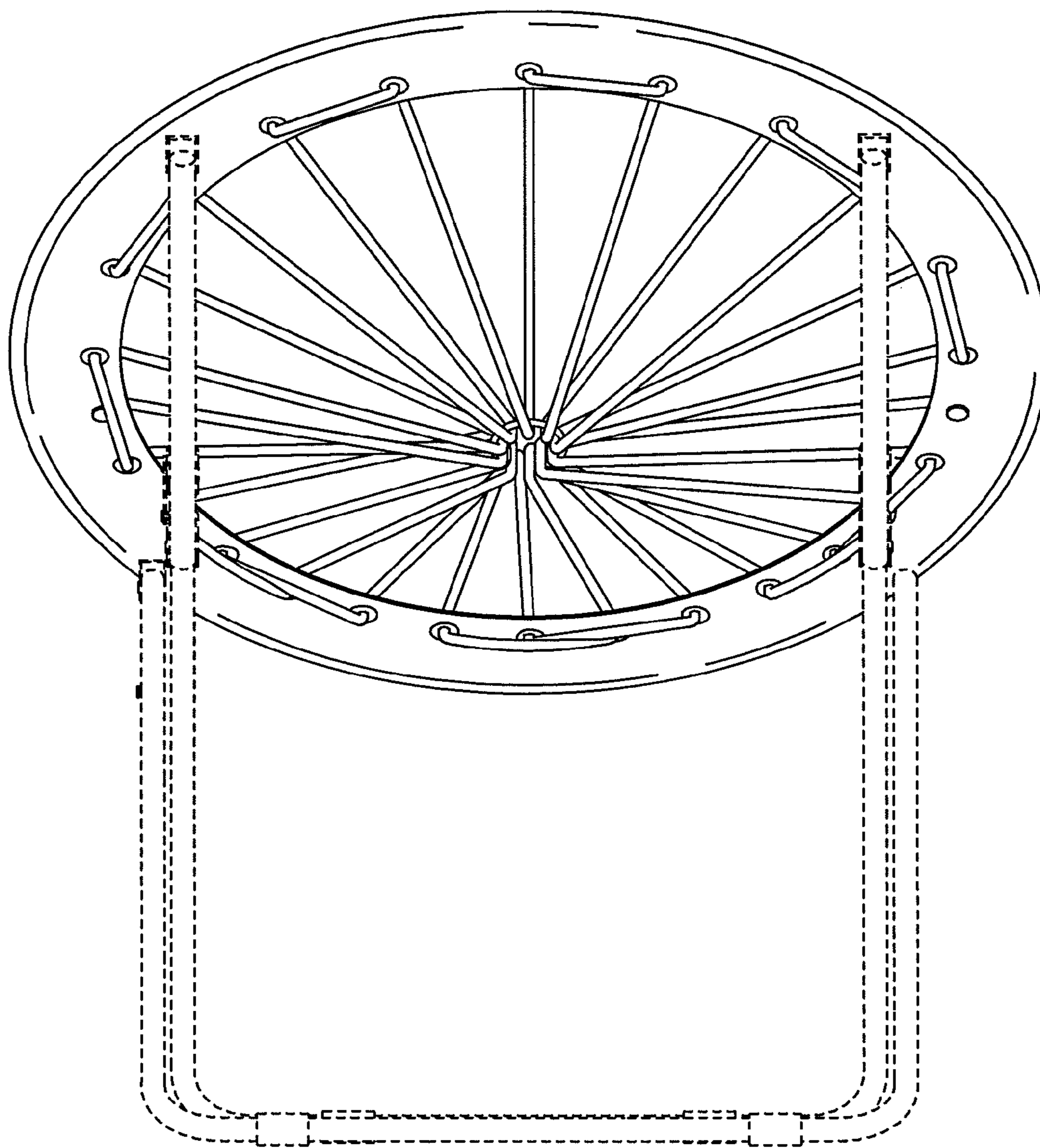


FIG. 3

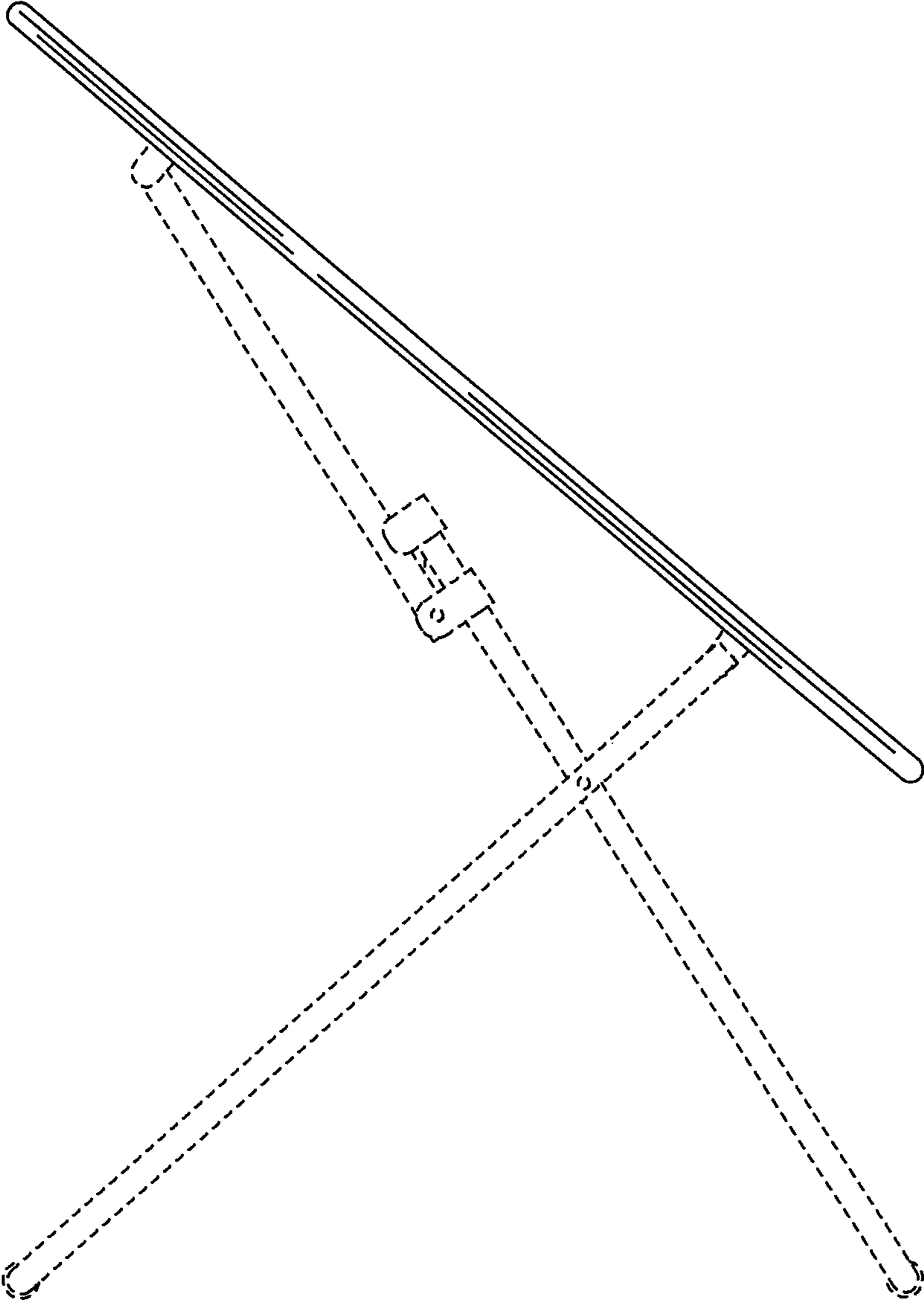


FIG. 4

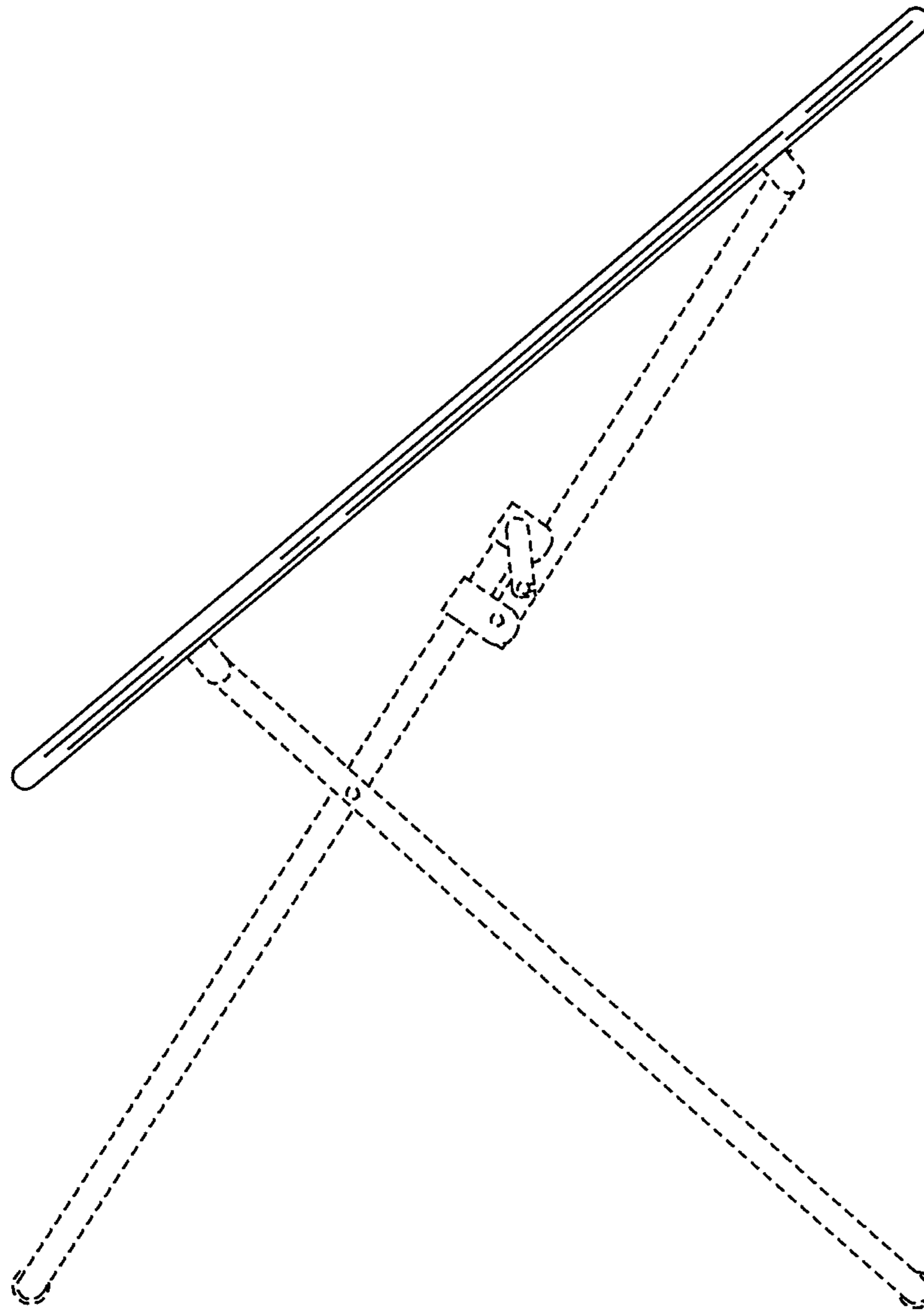


FIG. 5

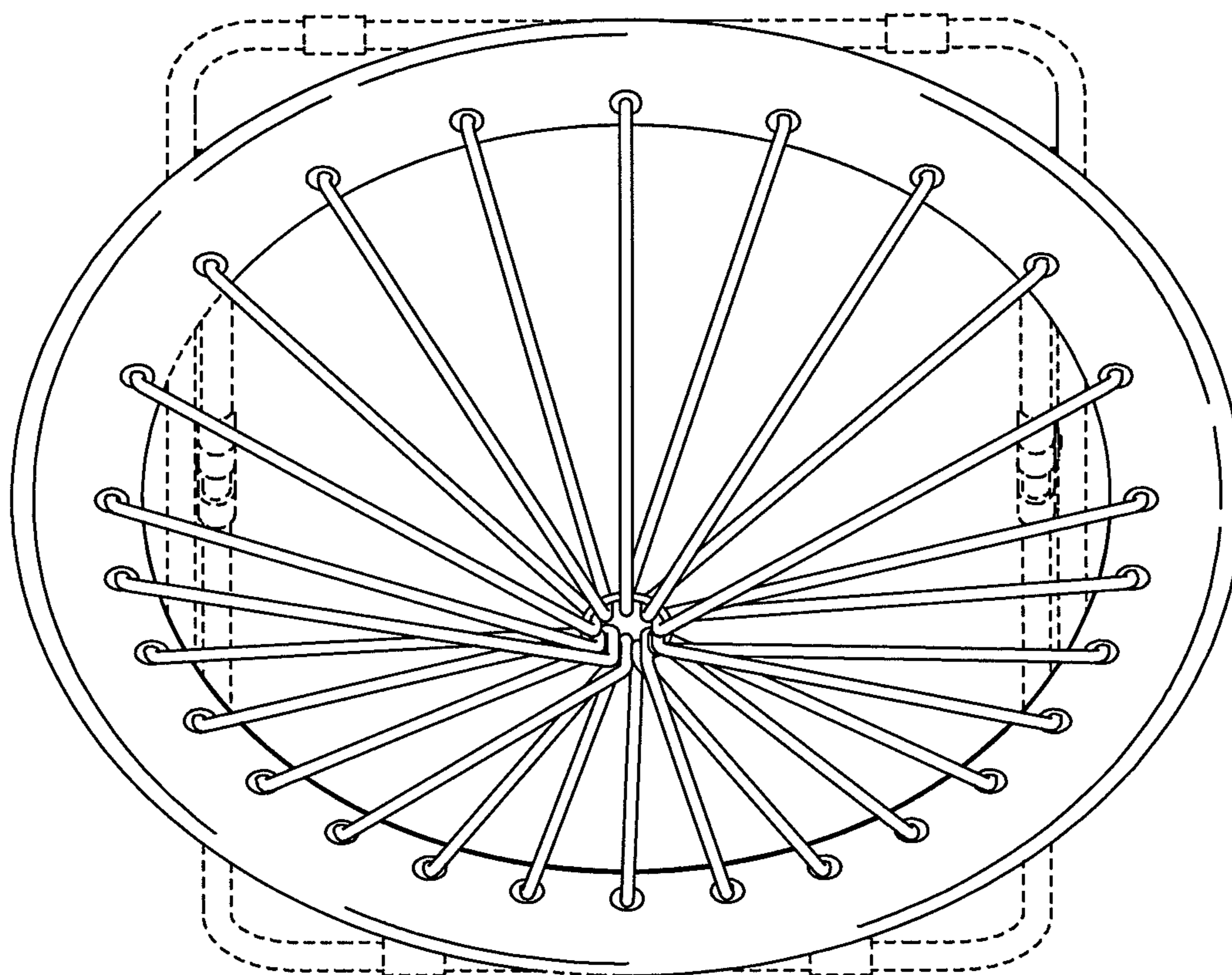


FIG. 6

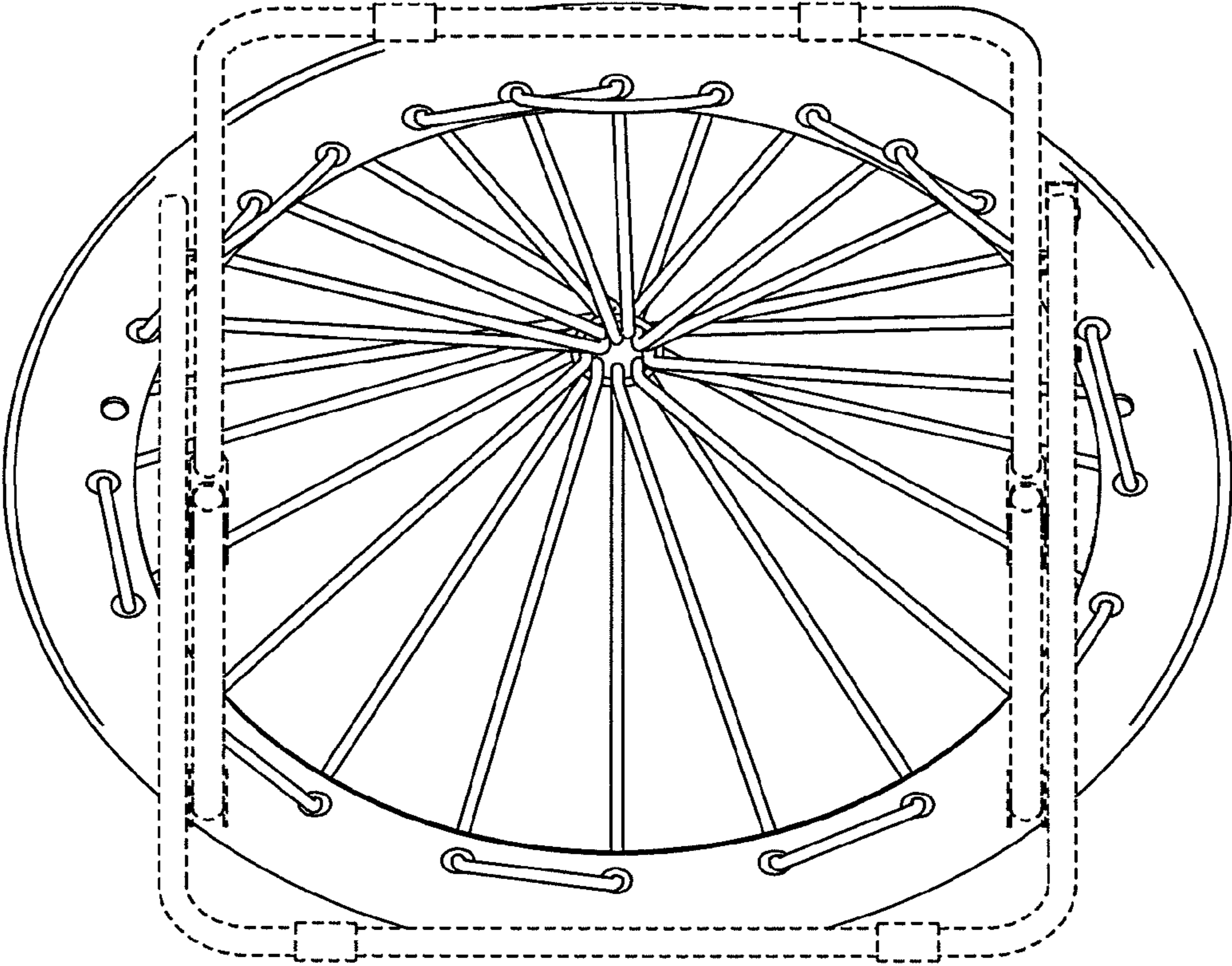


FIG. 7