



US00D710133S

(12) **United States Design Patent**
Schärer et al.

(10) **Patent No.:** **US D710,133 S**
(45) **Date of Patent:** **** Aug. 5, 2014**

(54) **TABLE/DESK**

(75) Inventors: **Alexander Schärer**, Bern (CH);
Memduh Ali Tayar, New York, NY
(US); **Thomas Dienes**, Bern (CH)

(73) Assignee: **USM Holding AG** (CH)

(**) Term: **14 Years**

(21) Appl. No.: **29/424,572**

(22) Filed: **Jun. 13, 2012**

(30) **Foreign Application Priority Data**

Dec. 13, 2011 (WO) DM/077 818

(51) **LOC (10) Cl.** **06-03**

(52) **U.S. Cl.**

USPC **D6/656.17**

(58) **Field of Classification Search**

USPC D6/641, 642, 656, 656.16, 691, 691.8,
D6/691.9, 691.5, 656.17; 108/151, 153.1,
108/155, 156, 157.1, 158.12, 161, 50.01,
108/50.02; 248/188, 188.1

See application file for complete search history.

(56) **References Cited**

U.S. PATENT DOCUMENTS

D284,532 S * 7/1986 Vogt D6/428

D299,798 S * 2/1989 Sottsas et al. D6/484

(Continued)

OTHER PUBLICATIONS

USM Modular Furniture, USM Haller Table, http://www.usm.com/pdf/produkte/usm_haller_tisch/masse/masse_details_123_usa.pdf, available at least as early as Jun. 13, 2011.

(Continued)

Primary Examiner — Janice Seeger

(74) *Attorney, Agent, or Firm* — SAIDMAN DesignLaw Group

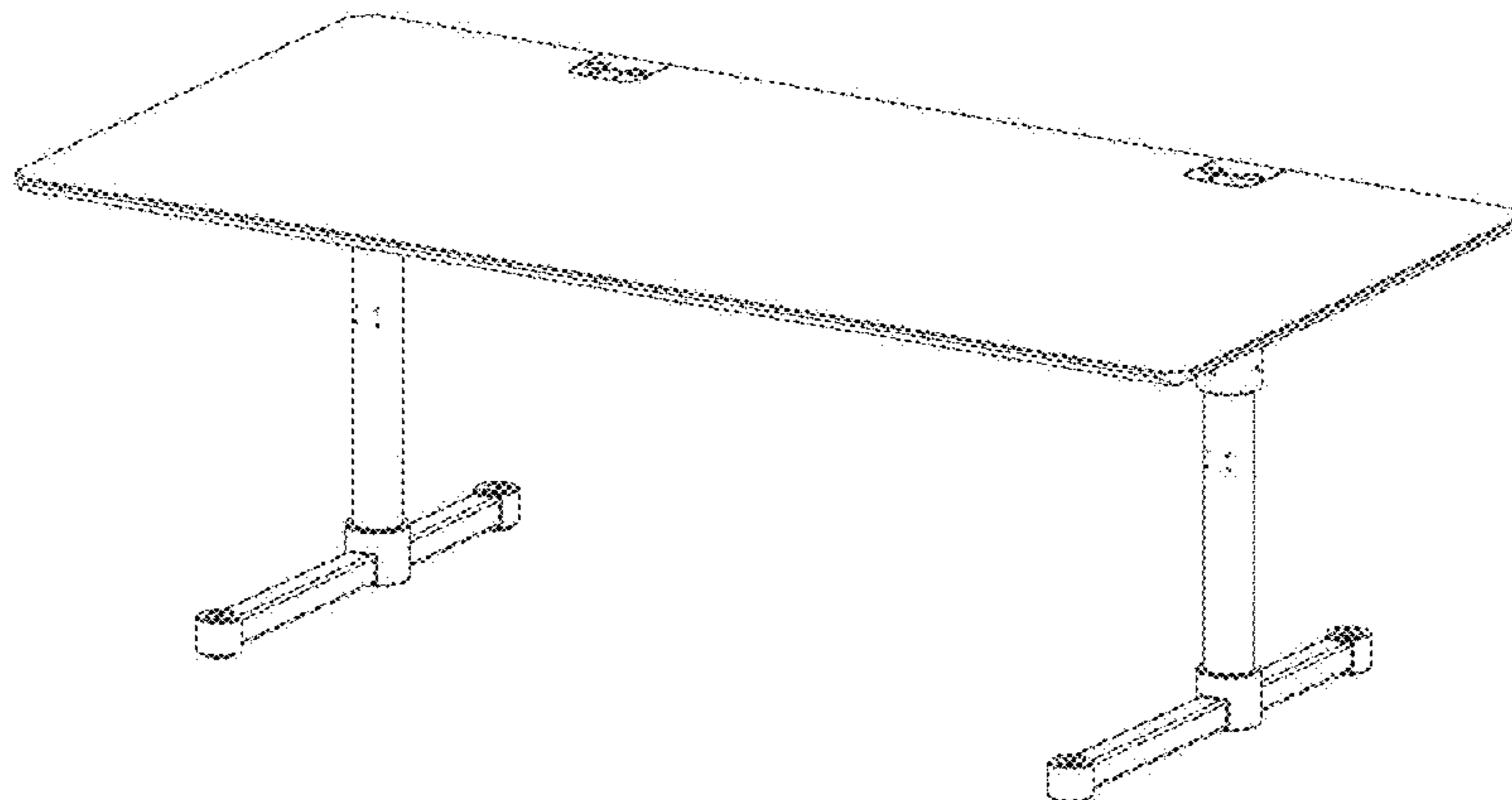
(57) **CLAIM**

The ornamental design for a table/desk, as shown and described.

DESCRIPTION

FIG. 1 is a front perspective view of a first embodiment of table/desk showing our new design;
FIG. 2 is a partial perspective view thereof;
FIG. 3 is a rear perspective view thereof;
FIG. 4 is a front view thereof;
FIG. 5 is a rear view thereof;
FIG. 6 is a left side view, the right side view being a mirror image thereof;
FIG. 7 is a top view thereof;
FIG. 8 is a partial, enlarged top view thereof;
FIG. 9 is a front perspective view thereof, showing the top at a second height;
FIG. 10 is another front perspective view thereof;
FIG. 11 is a front perspective view thereof, showing the top extended forward;
FIG. 12 is a front perspective view thereof, showing the top in a vertical position;
FIG. 13 is a front perspective view of a second embodiment thereof, showing the top at a second height;
FIG. 14 is a front view of thereof;
FIG. 15 is a rear view of thereof;
FIG. 16 is a left side view, the right side view being a mirror image thereof;
FIG. 17 is a top view of thereof;
FIG. 18 is a partial, enlarged top view thereof;
FIG. 19 is a front perspective view of a third embodiment thereof, showing the top at a third height;
FIG. 20 is a front view thereof;
FIG. 21 is a rear view thereof;
FIG. 22 is a left side view, the right side view being a mirror image thereof;
FIG. 23 is a top view thereof; and,
FIG. 24 is a partial, enlarged top view thereof.
The drawings include CAD lines that represent contour and not surface decoration.
The broken lines represent environmental structure that forms no part of the claimed design. The jagged lines represent boundaries of a partial view.

1 Claim, 24 Drawing Sheets



US D710,133 S

Page 2

(56)

References Cited

U.S. PATENT DOCUMENTS

D322,729 S * 12/1991 Diffrient D6/487
D325,833 S * 5/1992 Saotome D6/484
D336,393 S * 6/1993 Saotome D6/484
D573,812 S * 7/2008 Saotome D6/480
D644,855 S * 9/2011 Saito D6/480
2004/0149177 A1* 8/2004 Gayhart et al. 108/50.02

2006/0081157 A1* 4/2006 Gayhart et al. 108/50.02

OTHER PUBLICATIONS

USM Modular Furniture, USM Kitos Table, http://www.usm.com/pdf/produkte/usm_kitos/masse/masse_details_133_usa.pdf, available at least as early as Jun. 13, 2011.

* cited by examiner

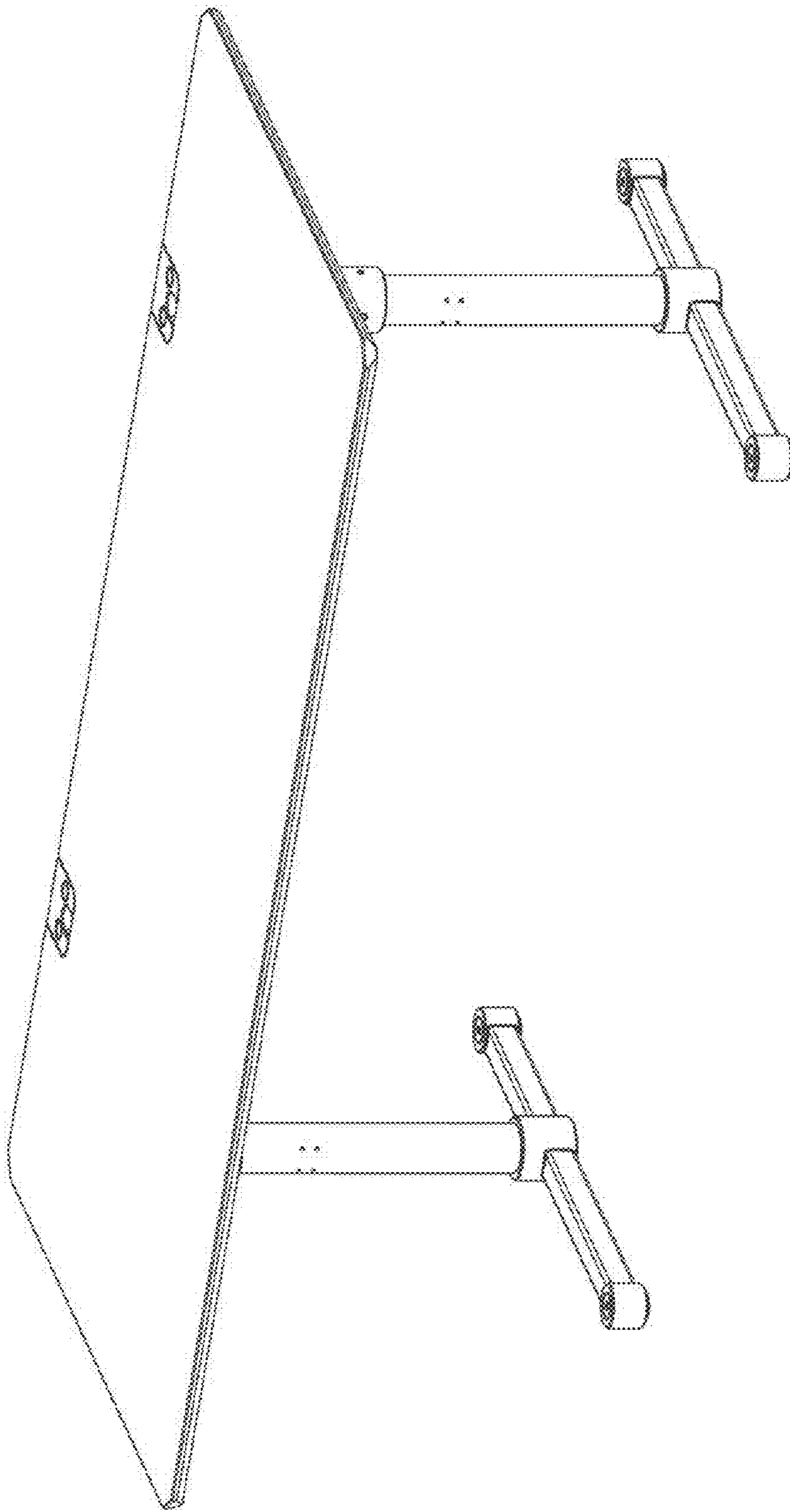


FIG. 1

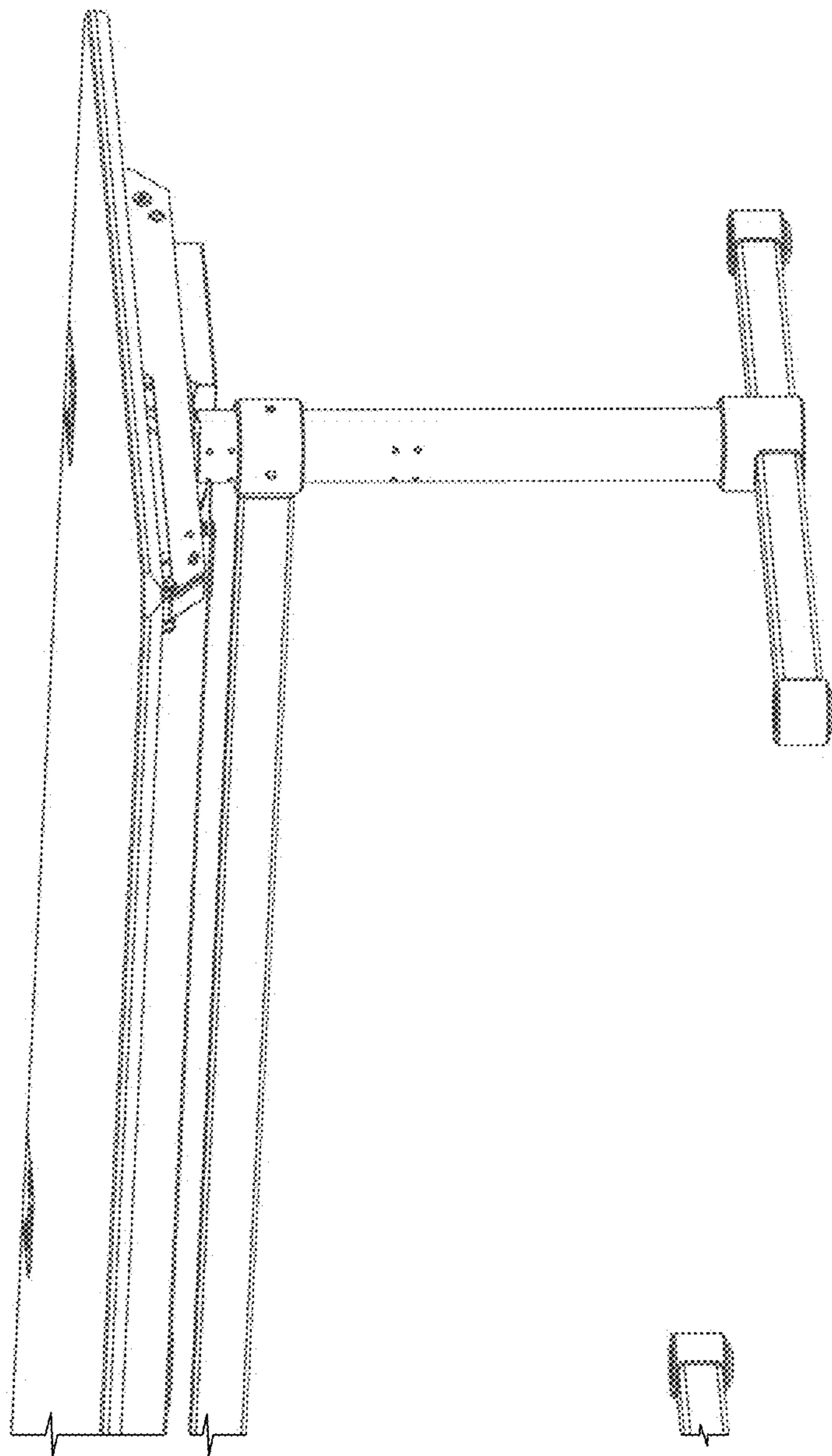


Fig. 2

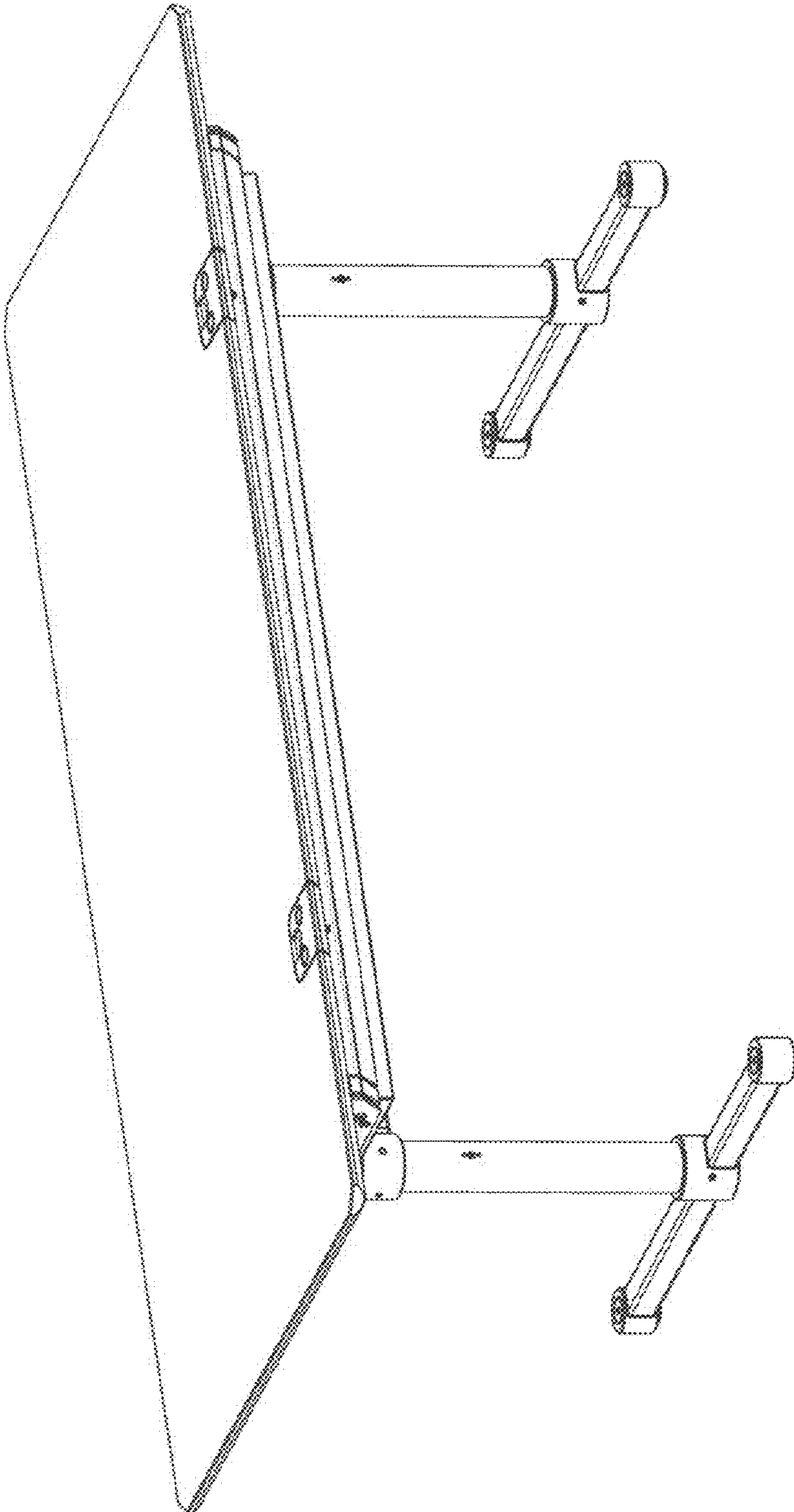


FIG. 3

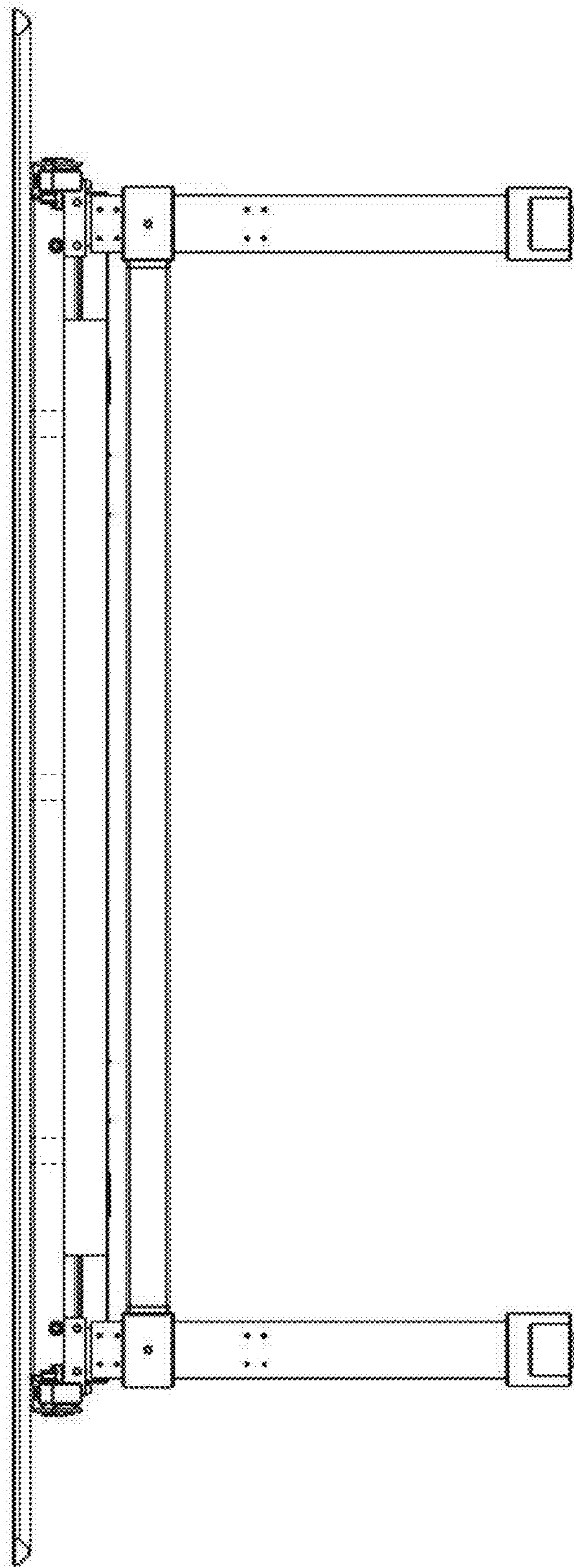


Fig. 4

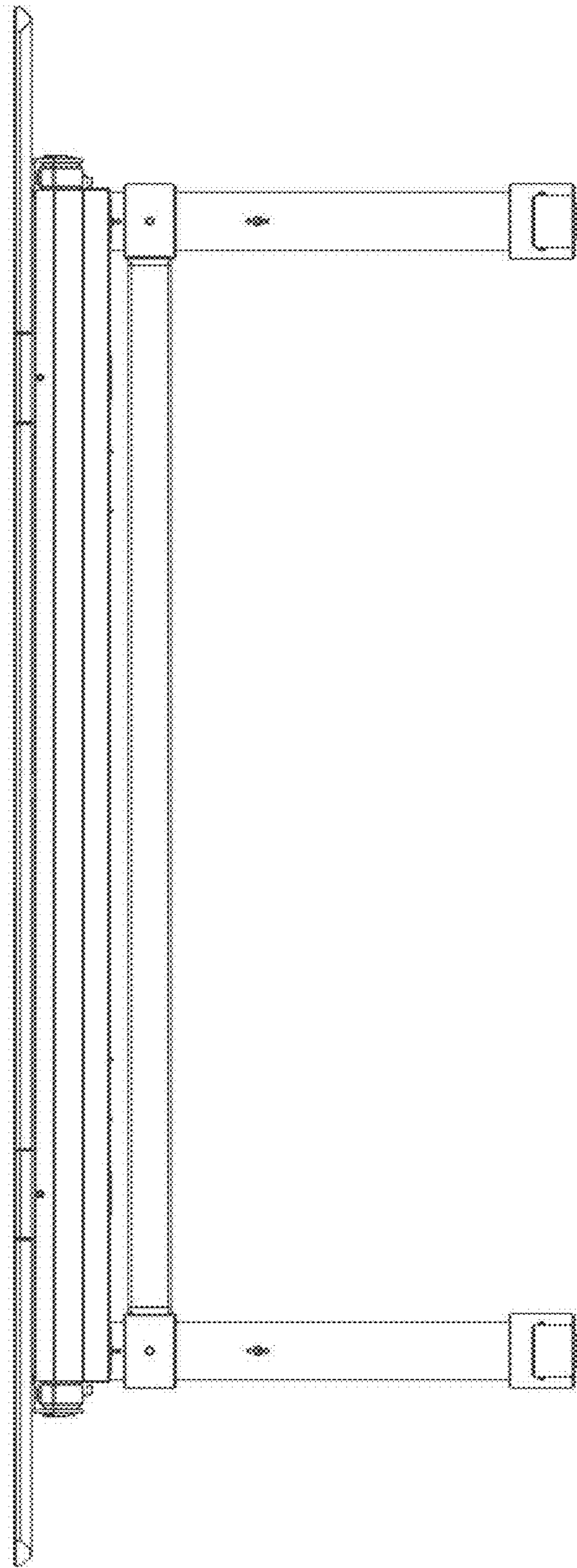


FIG. 5

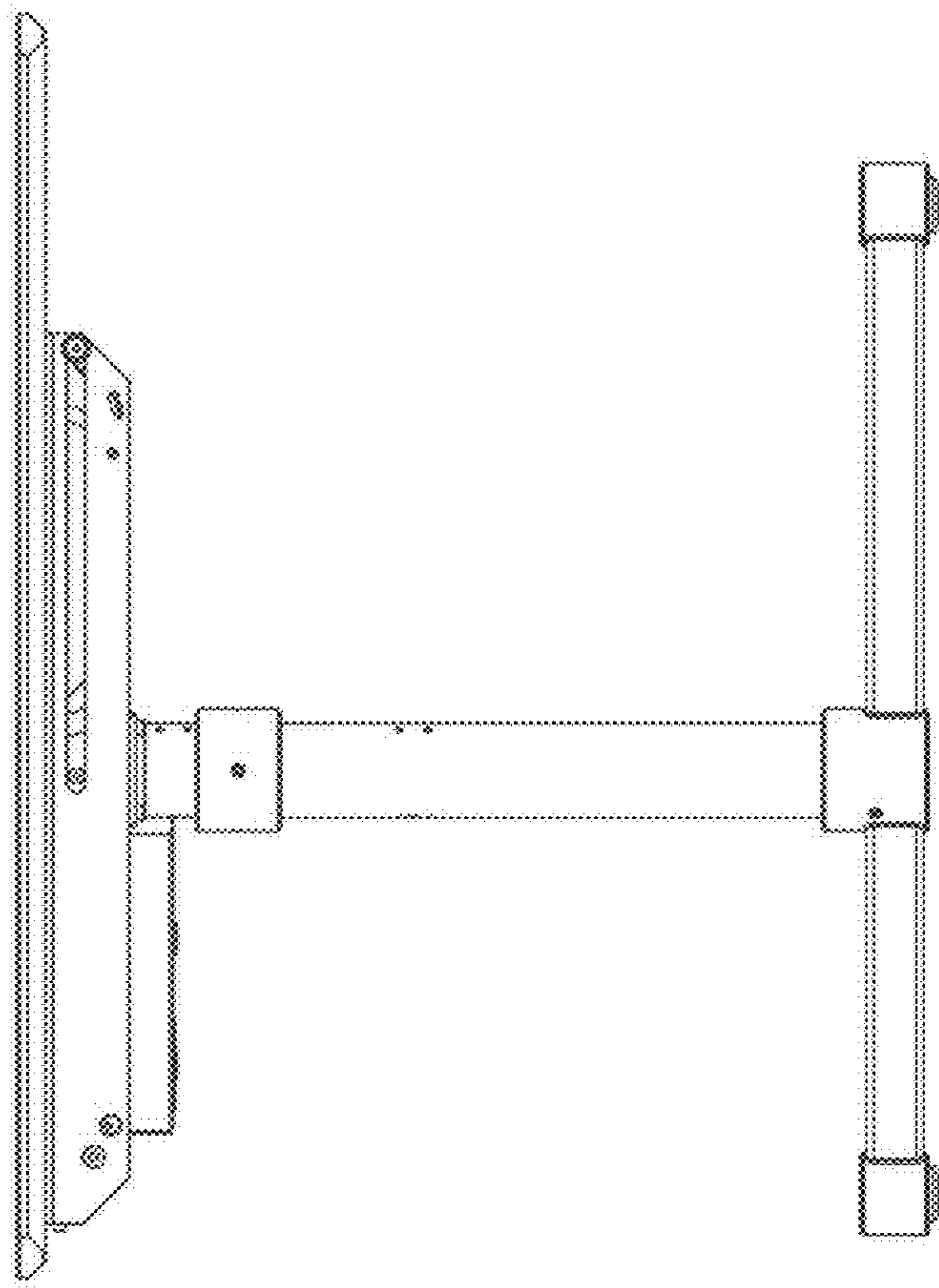


FIG. 6

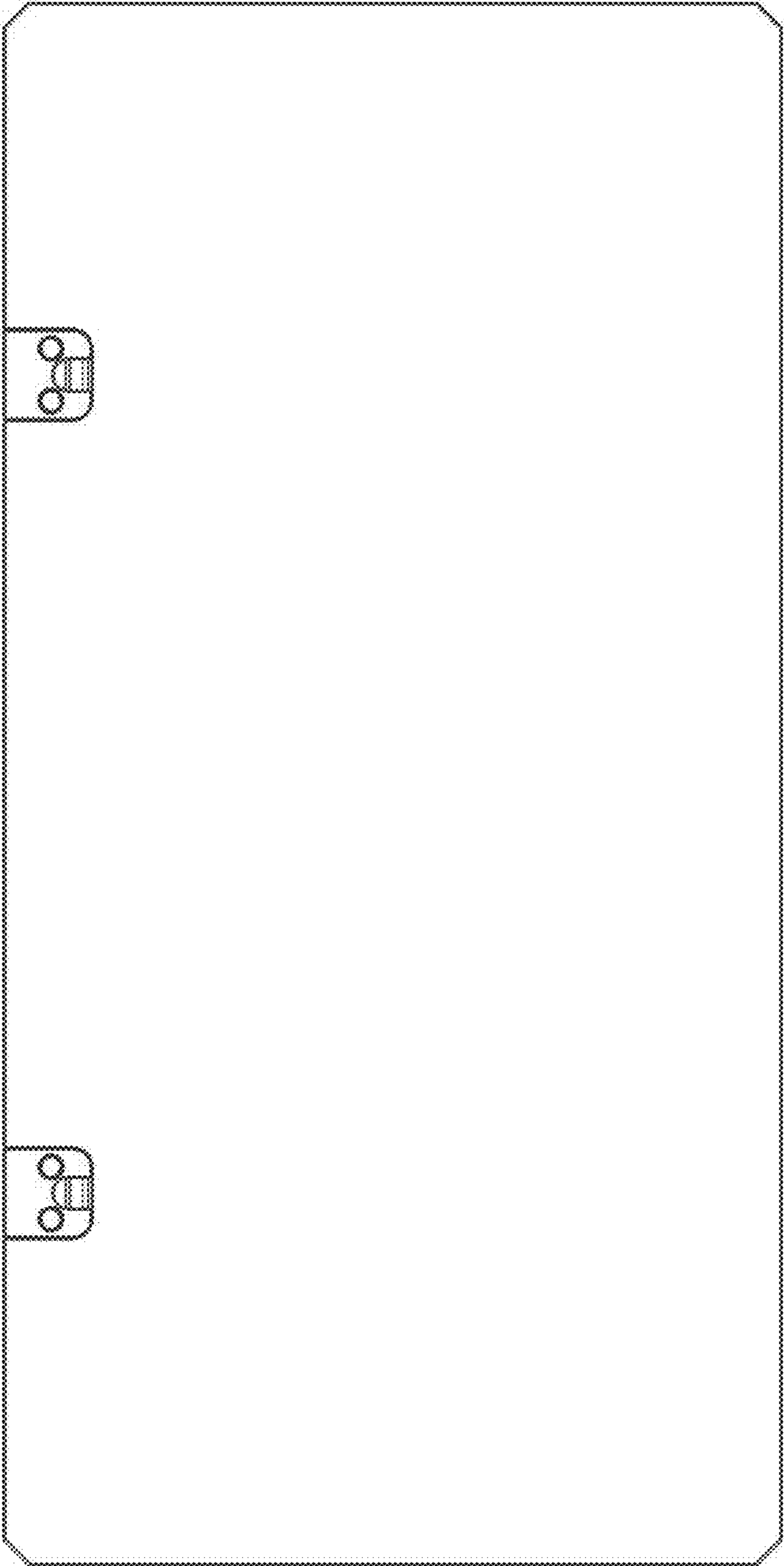


FIG. 7

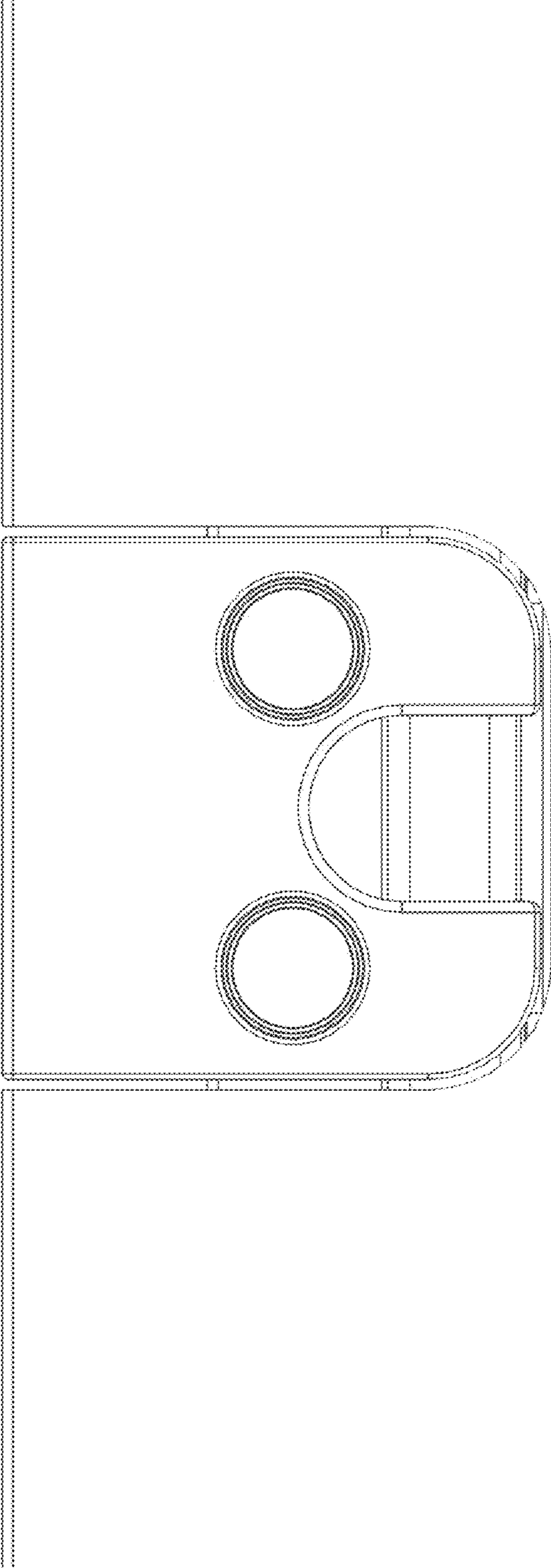


FIG. 8

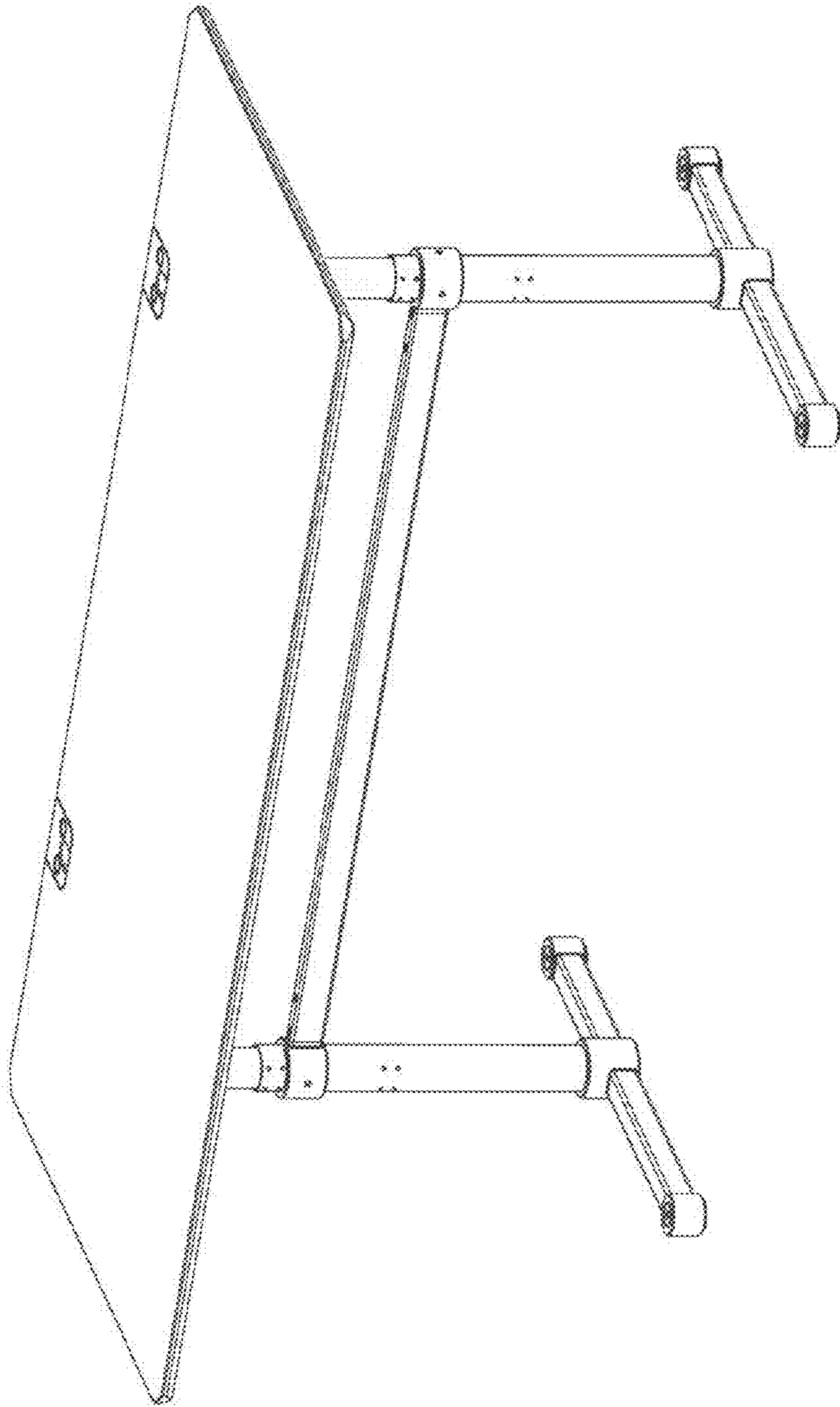


Fig. 9

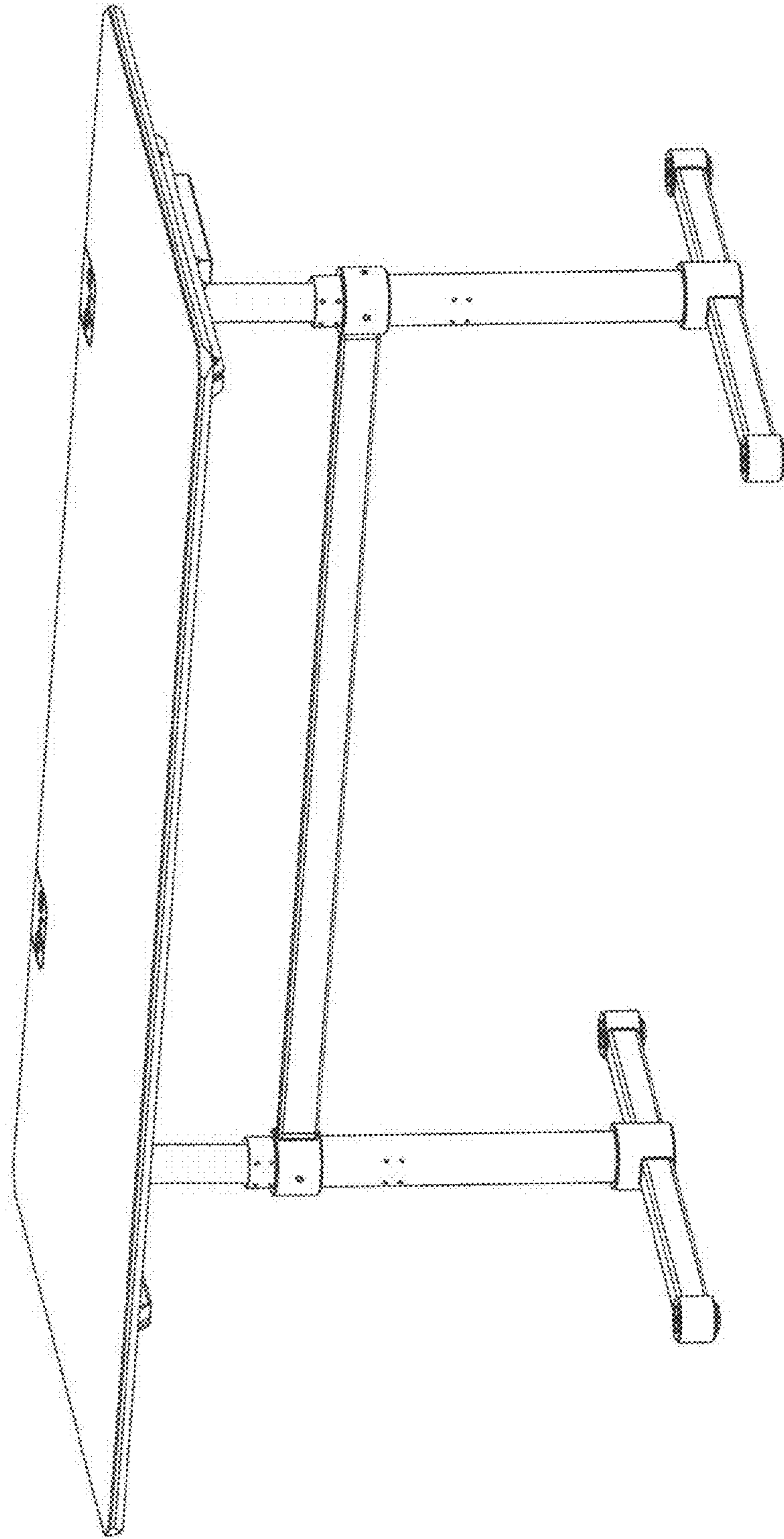


FIG. 10

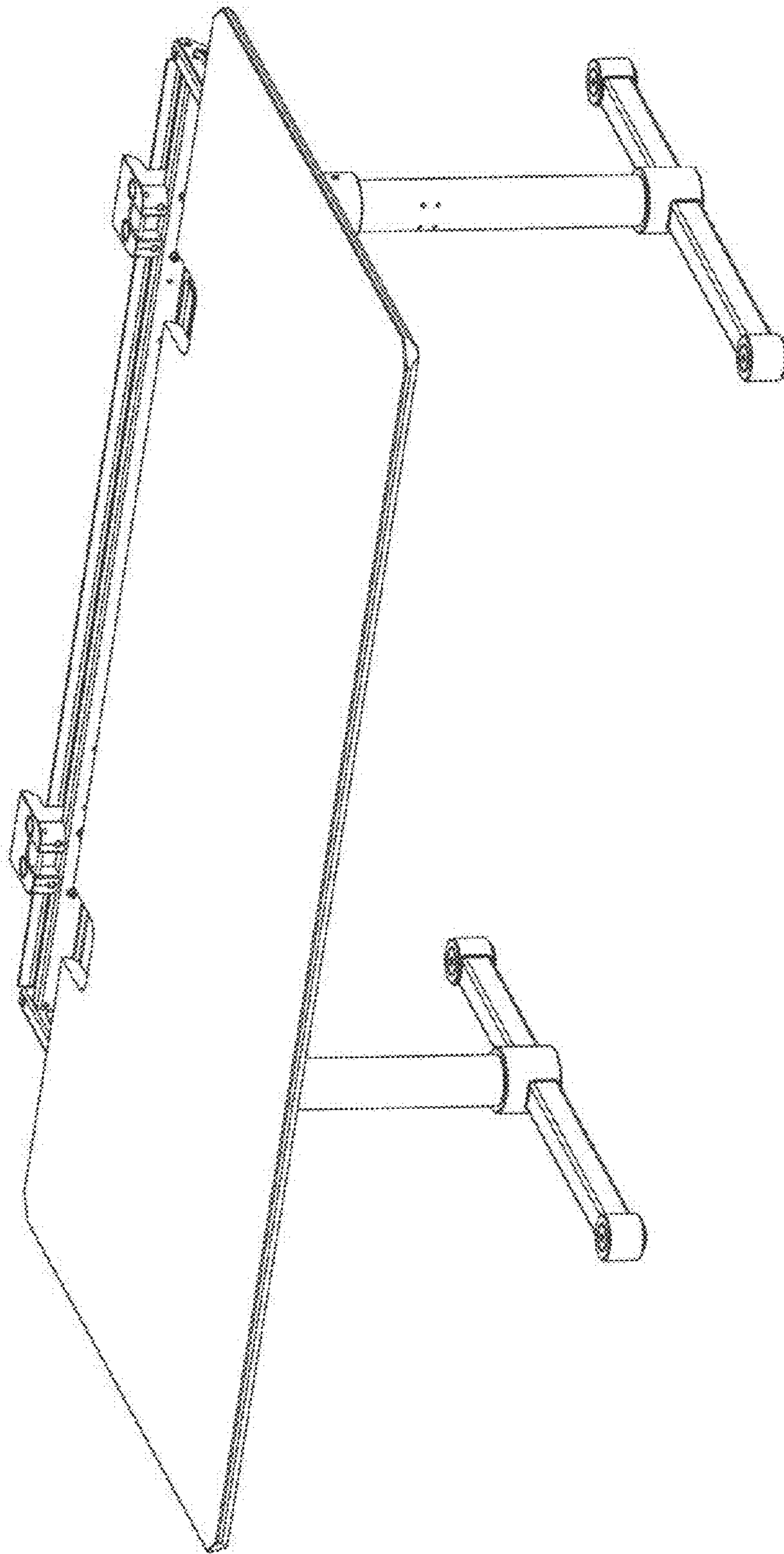


FIG. 11

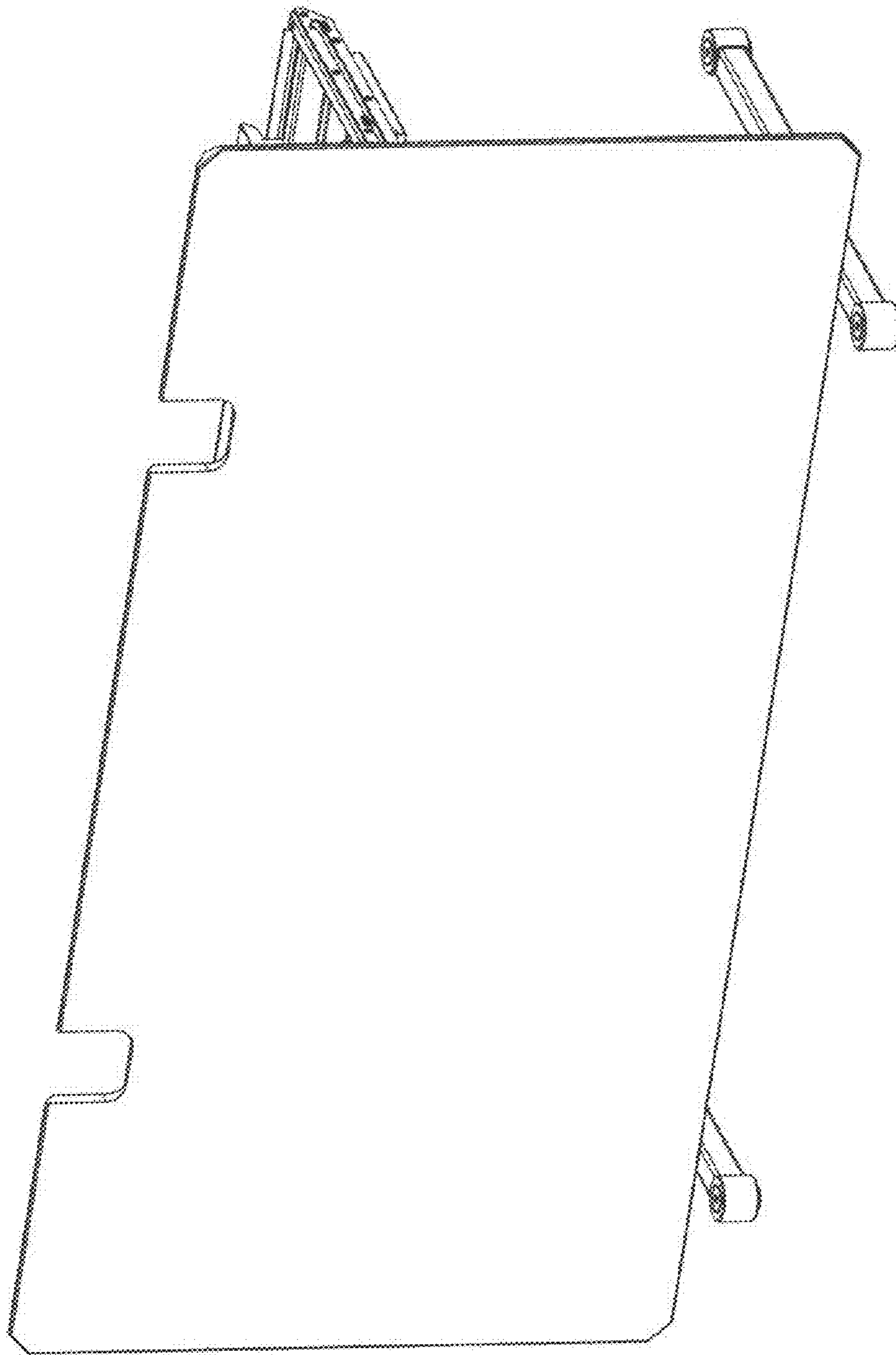


FIG. 12

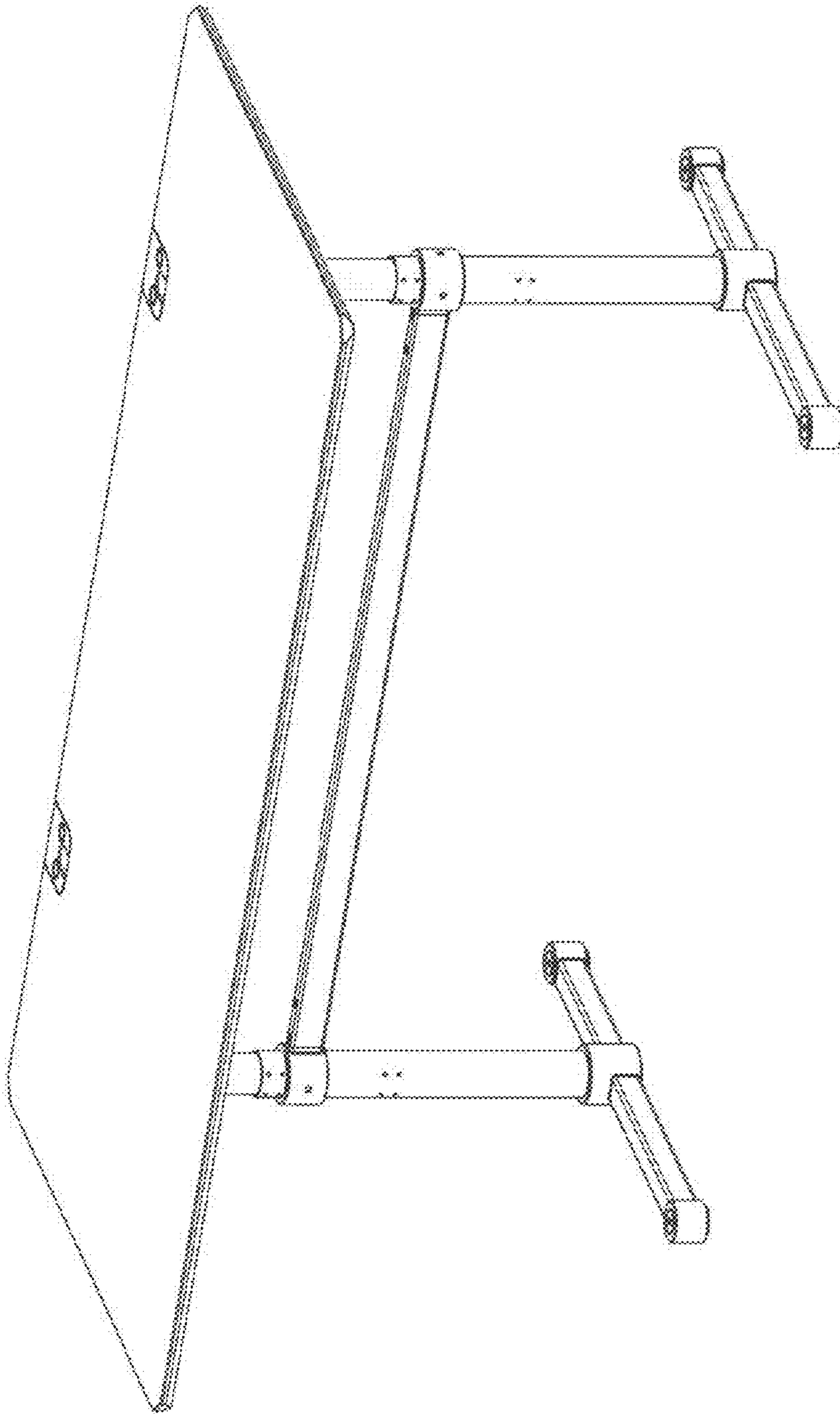


Fig. 13



Fig. 14

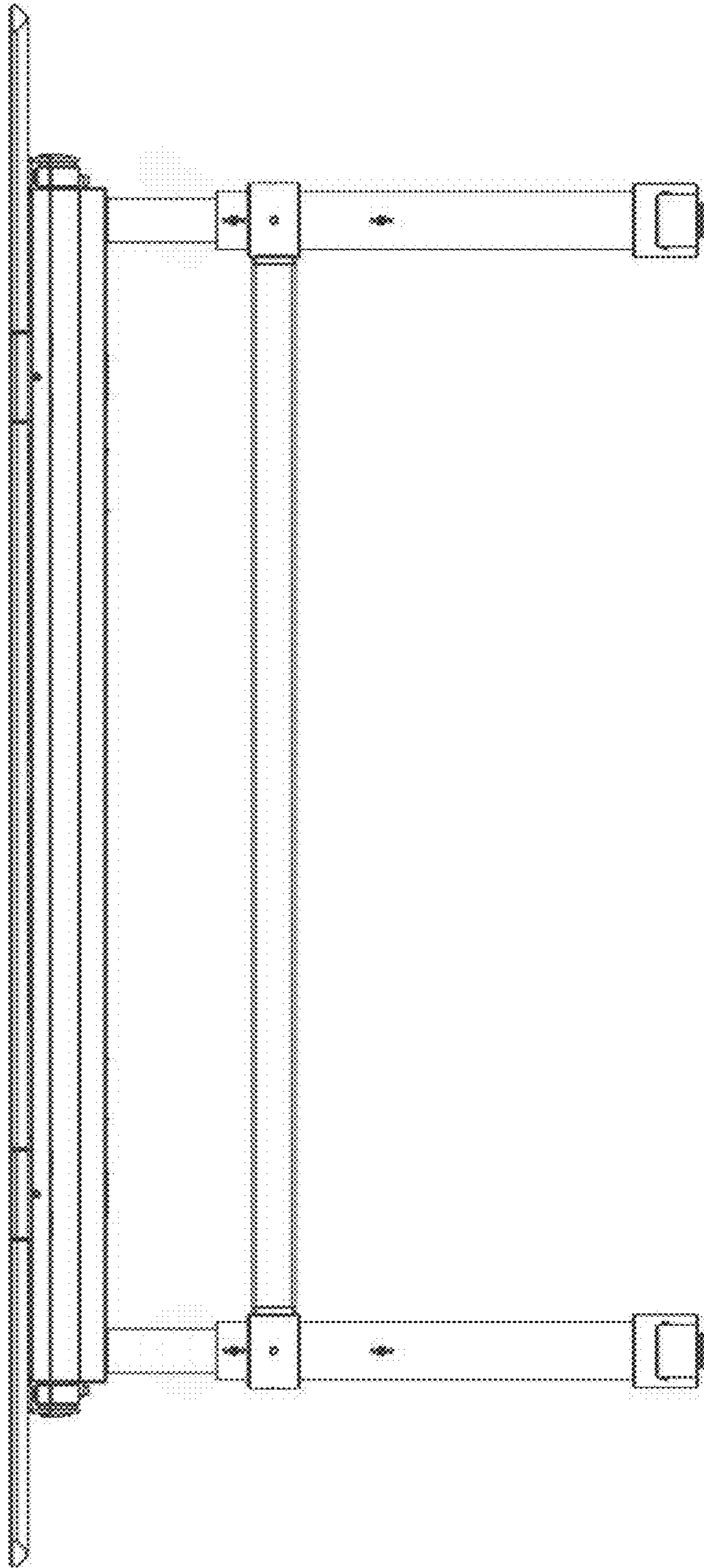


FIG. 15

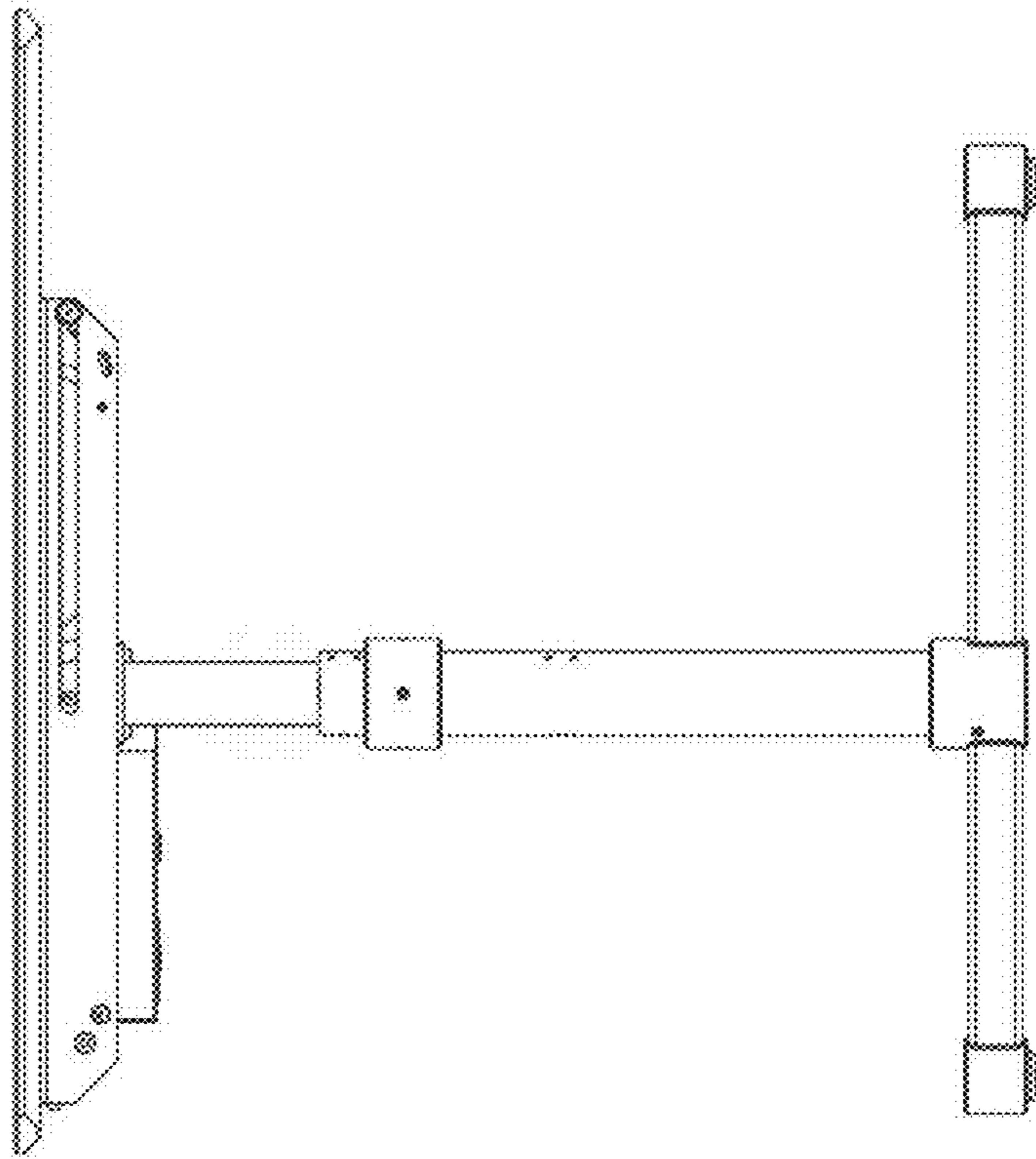


FIG. 16

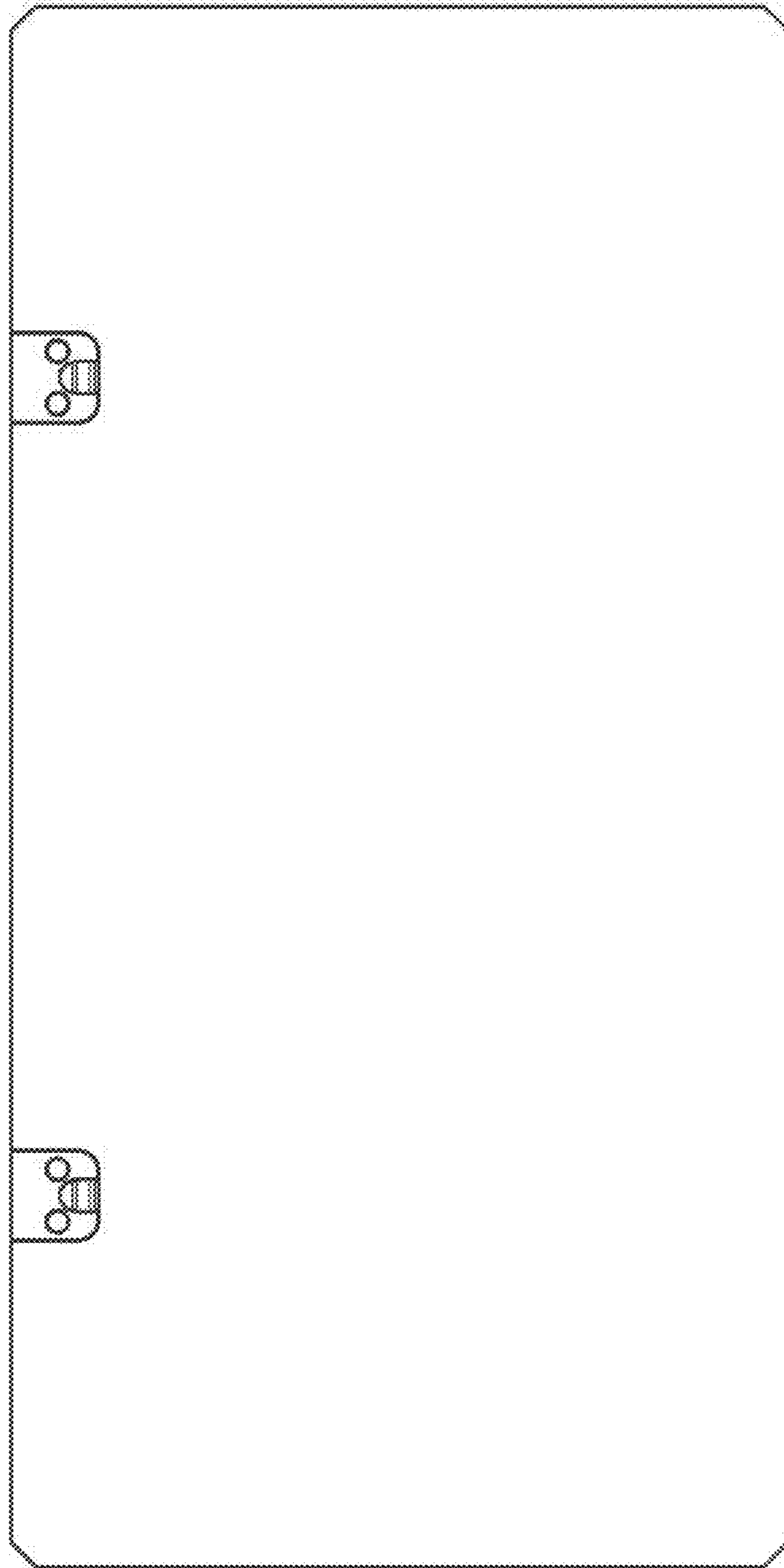


FIG. 17

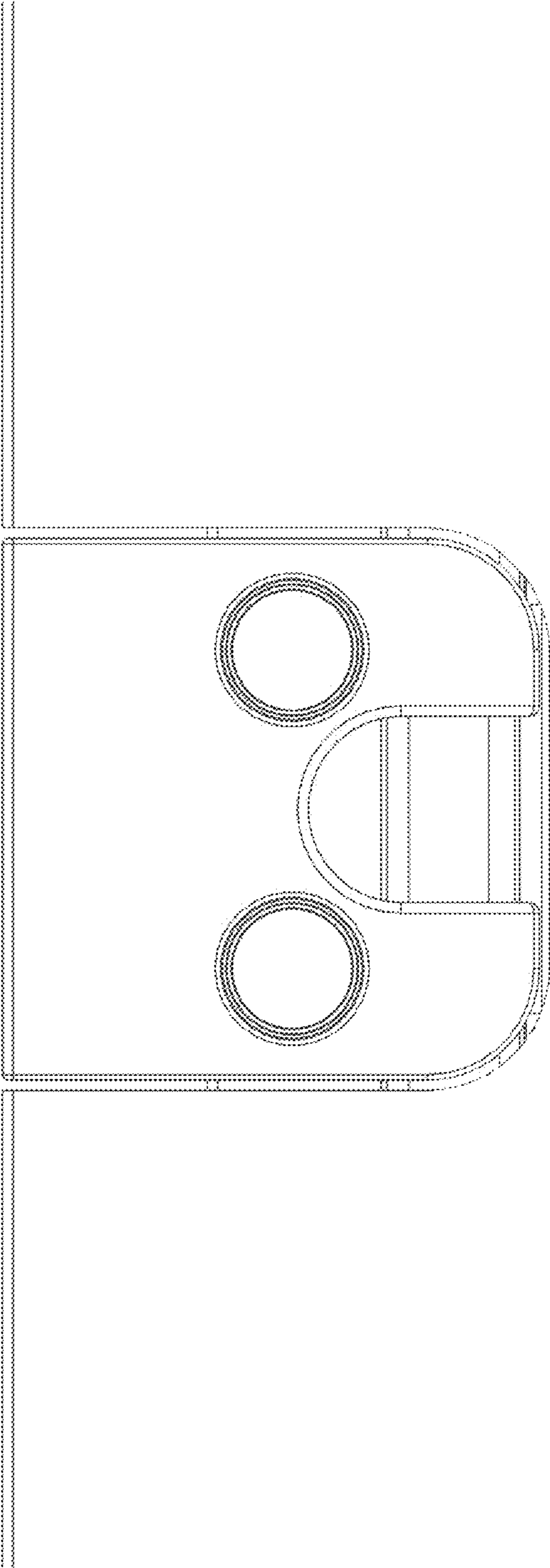


FIG. 18

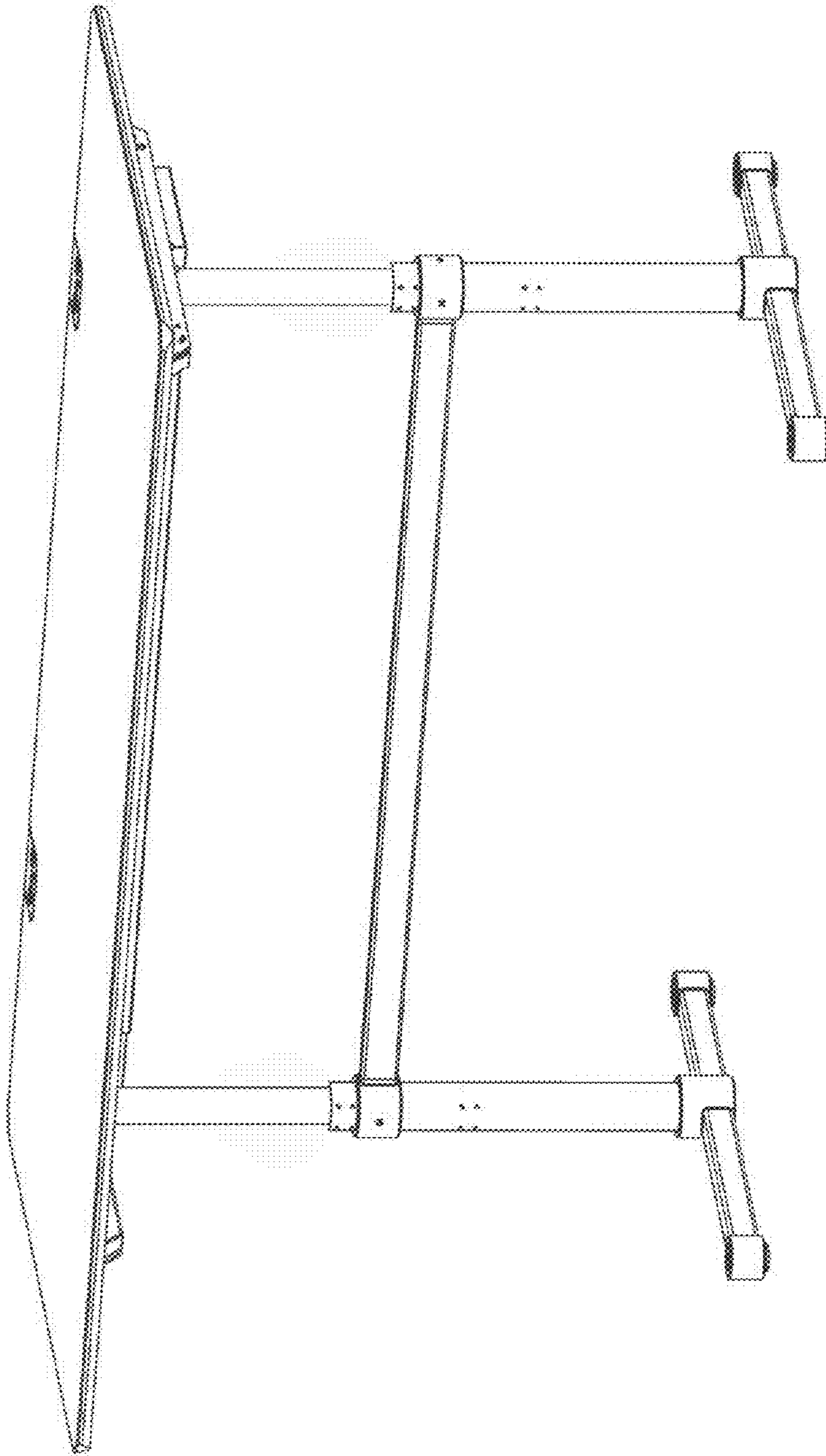


FIG. 19

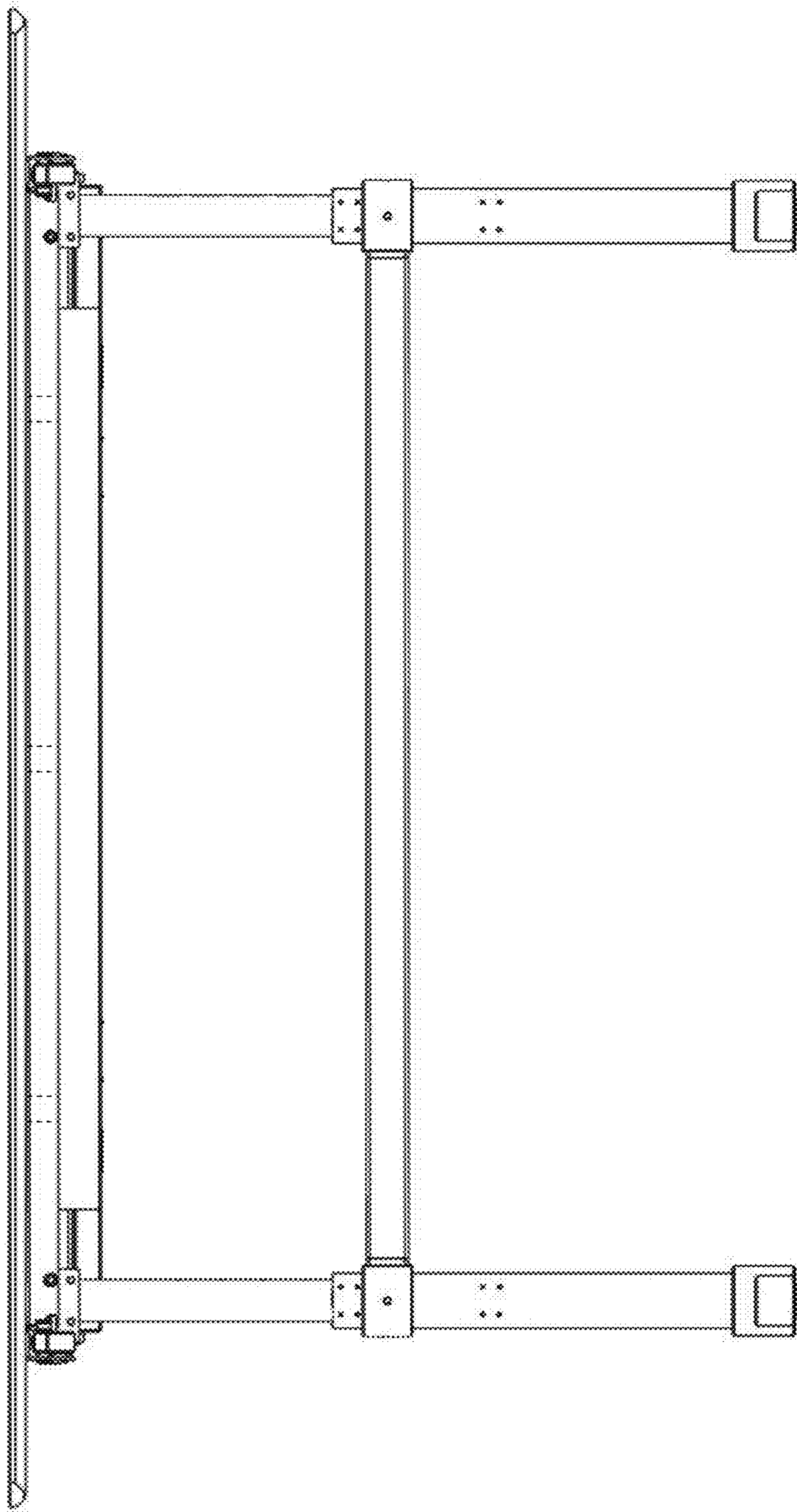


Fig. 20

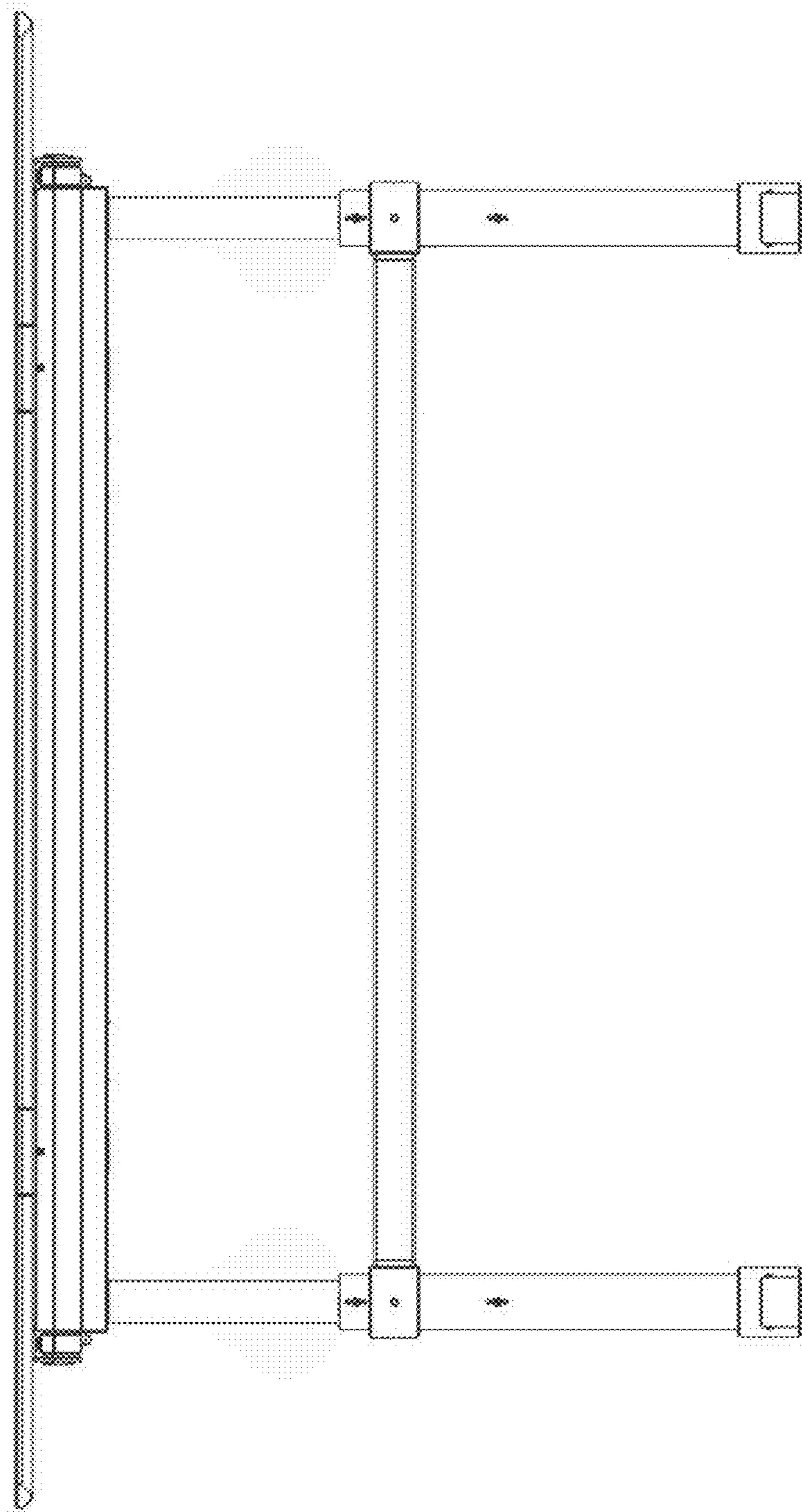


FIG. 21

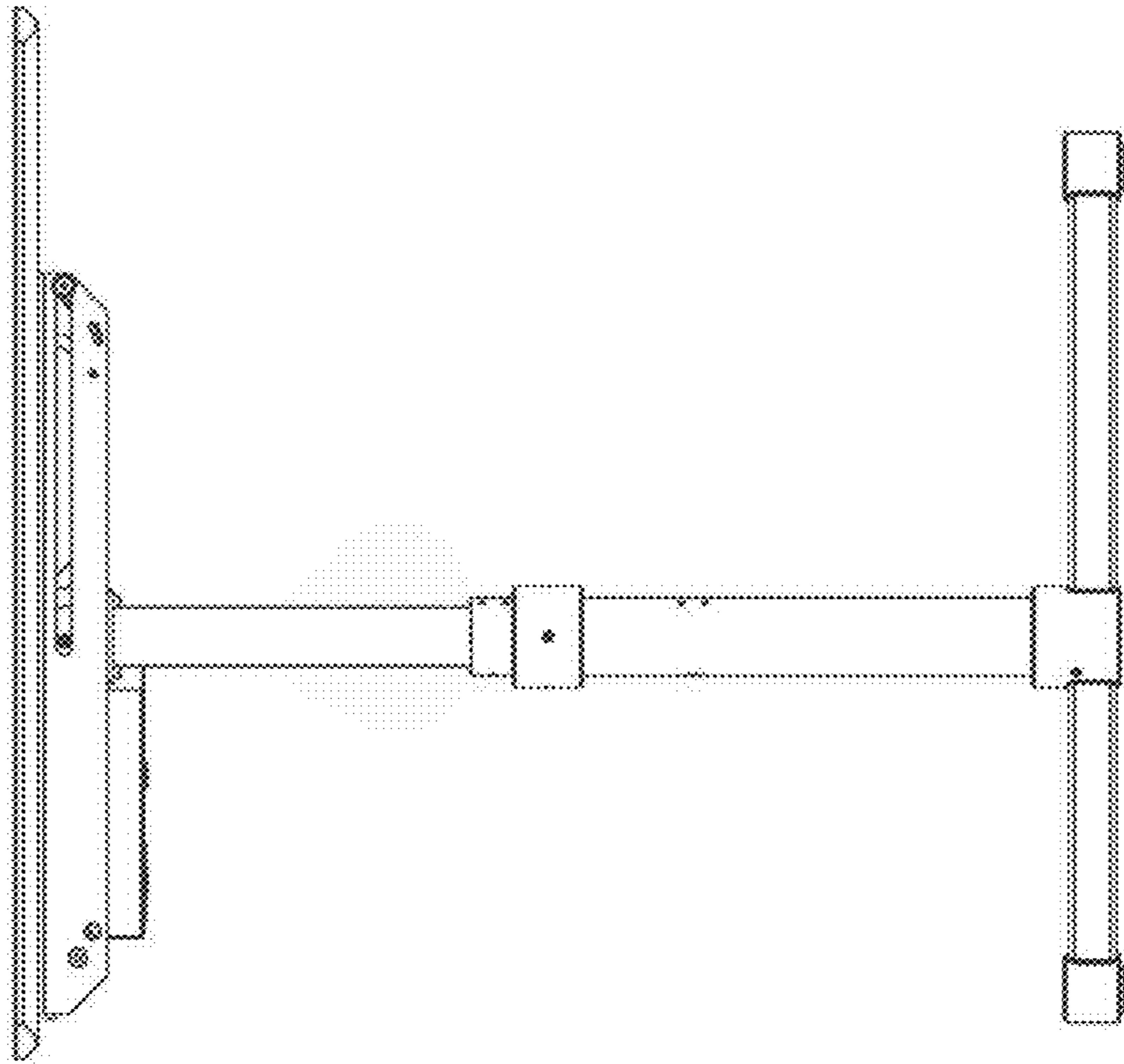


FIG. 22

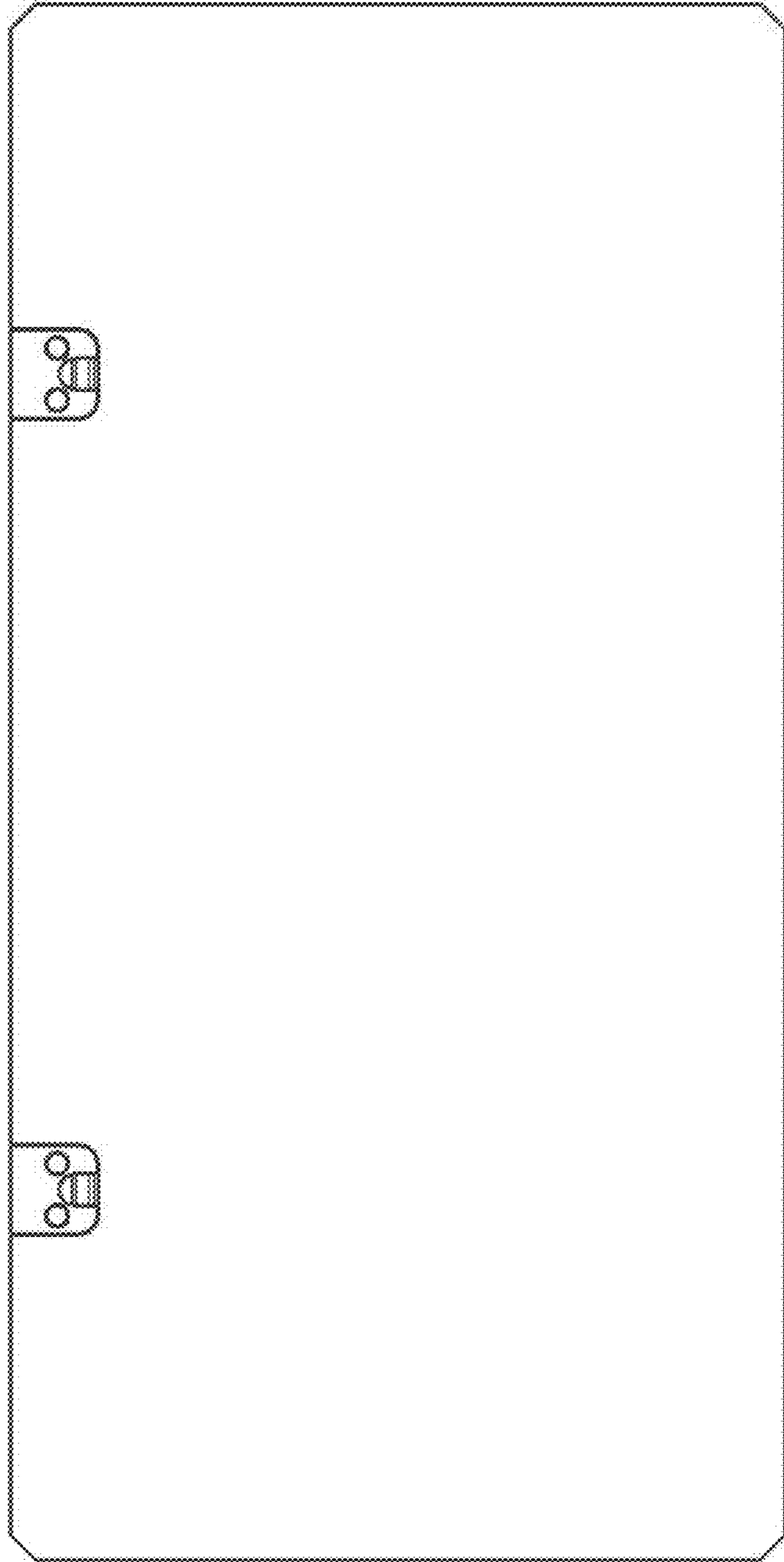


FIG. 23

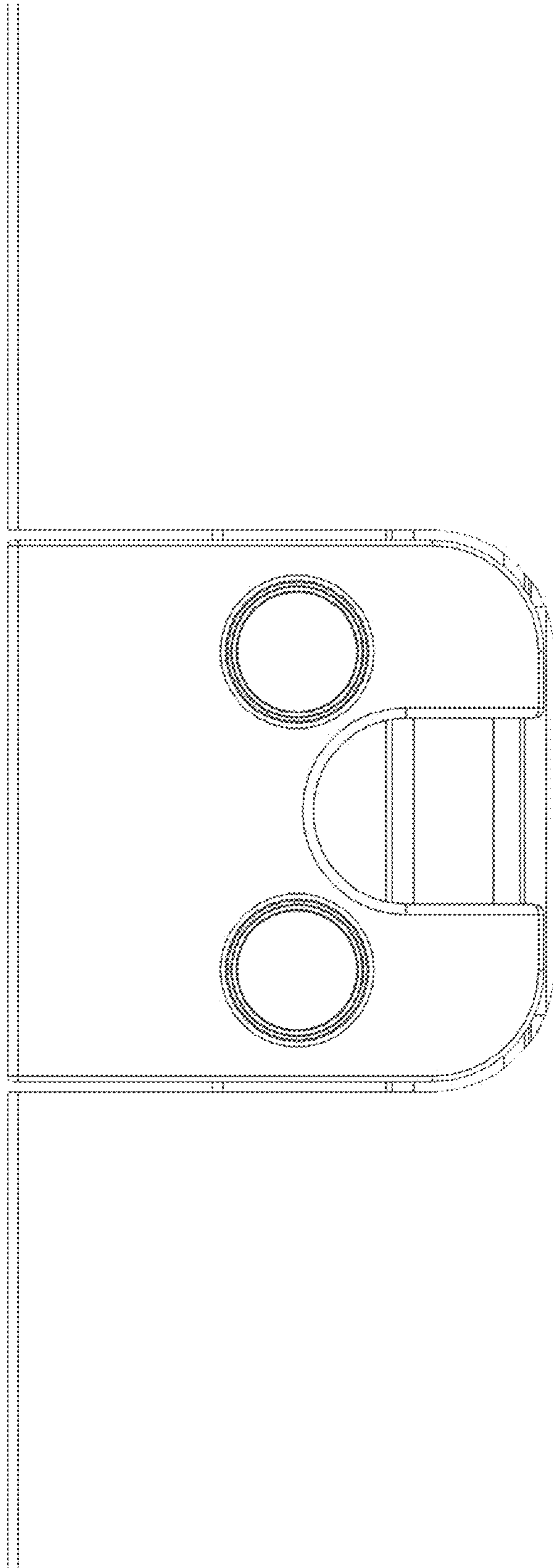


FIG. 24