



US00D710128S

(12) **United States Design Patent**
Garcia

(10) **Patent No.:** **US D710,128 S**

(45) **Date of Patent:** **** Aug. 5, 2014**

(54) **MULTI-SIDED CORE GUARD**

(75) **Inventor:** **Tomas Juan Rama Garcia**, Barcelona (ES)

(73) **Assignee:** **Vertilux Ltd.**, Miami, FL (US)

(**) **Term:** **14 Years**

(21) **Appl. No.:** **29/423,145**

(22) **Filed:** **May 29, 2012**

(51) **LOC (10) Cl.** **06-10**

(52) **U.S. Cl.**
USPC **D6/581**

(58) **Field of Classification Search**
USPC D6/580, 581; D9/521; 160/321, 323.1; 192/223.4
See application file for complete search history.

(56) **References Cited**

U.S. PATENT DOCUMENTS

5,137,073	A	8/1992	Huang	
D355,604	S	2/1995	De Baschmakoff	
5,975,186	A	11/1999	Day	
5,983,972	A *	11/1999	Chou	160/319
D429,588	S	8/2000	Smederod	
6,173,825	B1	1/2001	Liu	
6,817,402	B1	11/2004	Fraczek et al.	
7,195,052	B2 *	3/2007	Nien et al.	160/321
7,353,857	B2	4/2008	Koop	
D596,435	S	7/2009	Wills	
D634,573	S *	3/2011	Risher	D6/580
8,136,569	B2 *	3/2012	Bohlen et al.	160/323.1
D675,050	S *	1/2013	Garcia	D6/581
D694,039	S *	11/2013	Licciardi Di Stefano	D6/580
2003/0178276	A1 *	9/2003	Fraczek et al.	192/3.52
2005/0247413	A1 *	11/2005	Nien et al.	160/321

2006/0243402	A1	11/2006	Chang	
2007/0169900	A1 *	7/2007	Chen et al.	160/321
2009/0250177	A1 *	10/2009	Byeon	160/323.1
2009/0258752	A1	10/2009	Bohlen et al.	
2010/0101741	A1 *	4/2010	Koop	160/321
2010/0300631	A1 *	12/2010	Sullivan	160/323.1
2012/0031572	A1 *	2/2012	Ng et al.	160/321
2012/0255686	A1 *	10/2012	Huang	160/293.1
2013/0068405	A1 *	3/2013	Lava et al.	160/321

FOREIGN PATENT DOCUMENTS

CN	ZL201230054830.4	3/2013
CN	ZL201230356896.9	4/2013
CO	282	7/2012
EM	001336994-0001	7/2012

* cited by examiner

Primary Examiner — Patricia Palasik
(74) *Attorney, Agent, or Firm* — Malloy & Malloy, P.L.

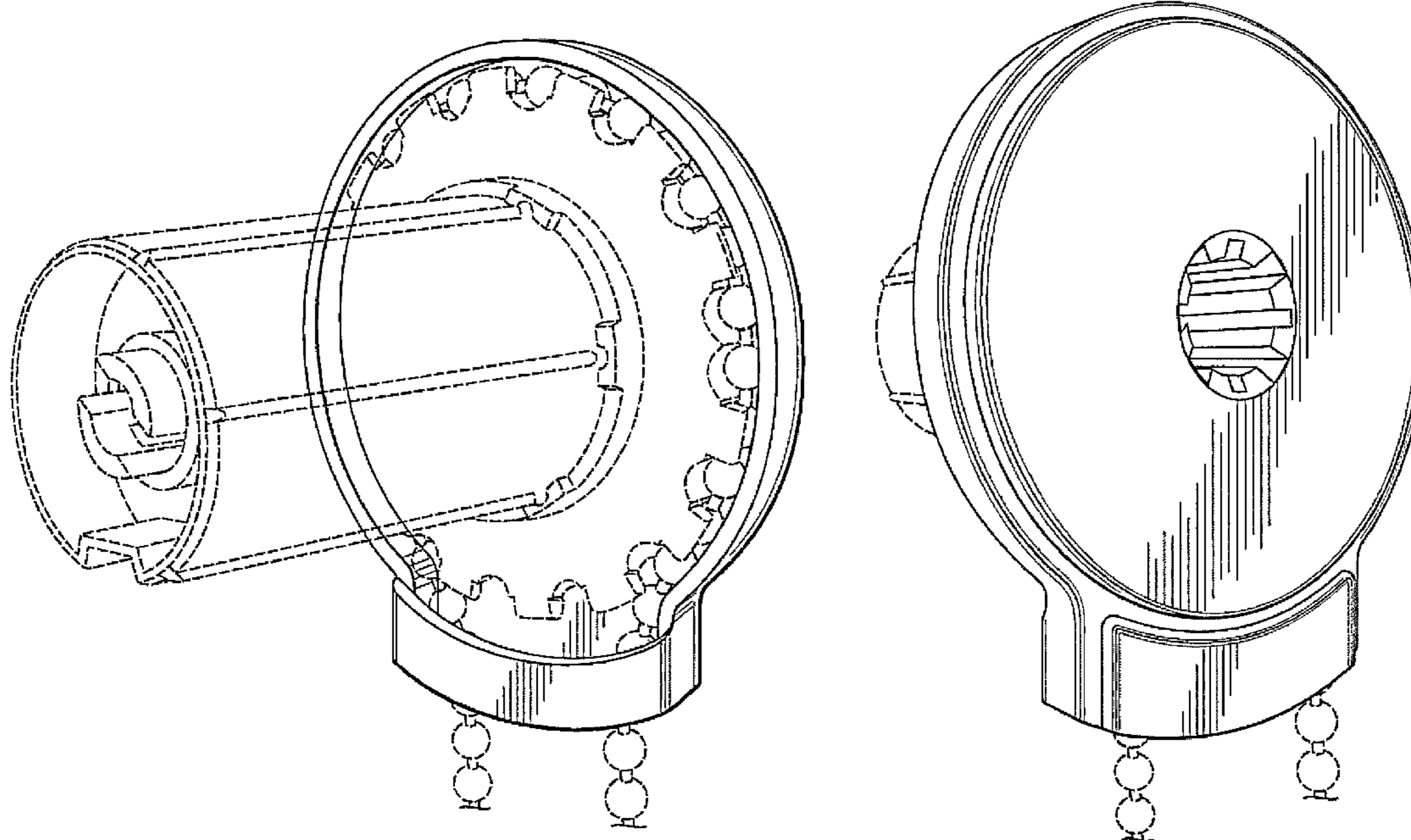
(57) **CLAIM**

The ornamental design for a multi-sided core guard, as shown and described.

DESCRIPTION

FIG. 1 is a front view illustrating my design for a multi-sided core guard;
FIG. 2 is a right side view thereof;
FIG. 3 is a top view thereof;
FIG. 4 is a left side view thereof;
FIG. 5 is a bottom view thereof;
FIG. 6 is a rear view thereof;
FIG. 7 is a rear perspective view thereof; and,
FIG. 8 is a front perspective view thereof.
The broken lines in the drawings are for illustrative purposes only and form no part of the claimed design.

1 Claim, 7 Drawing Sheets



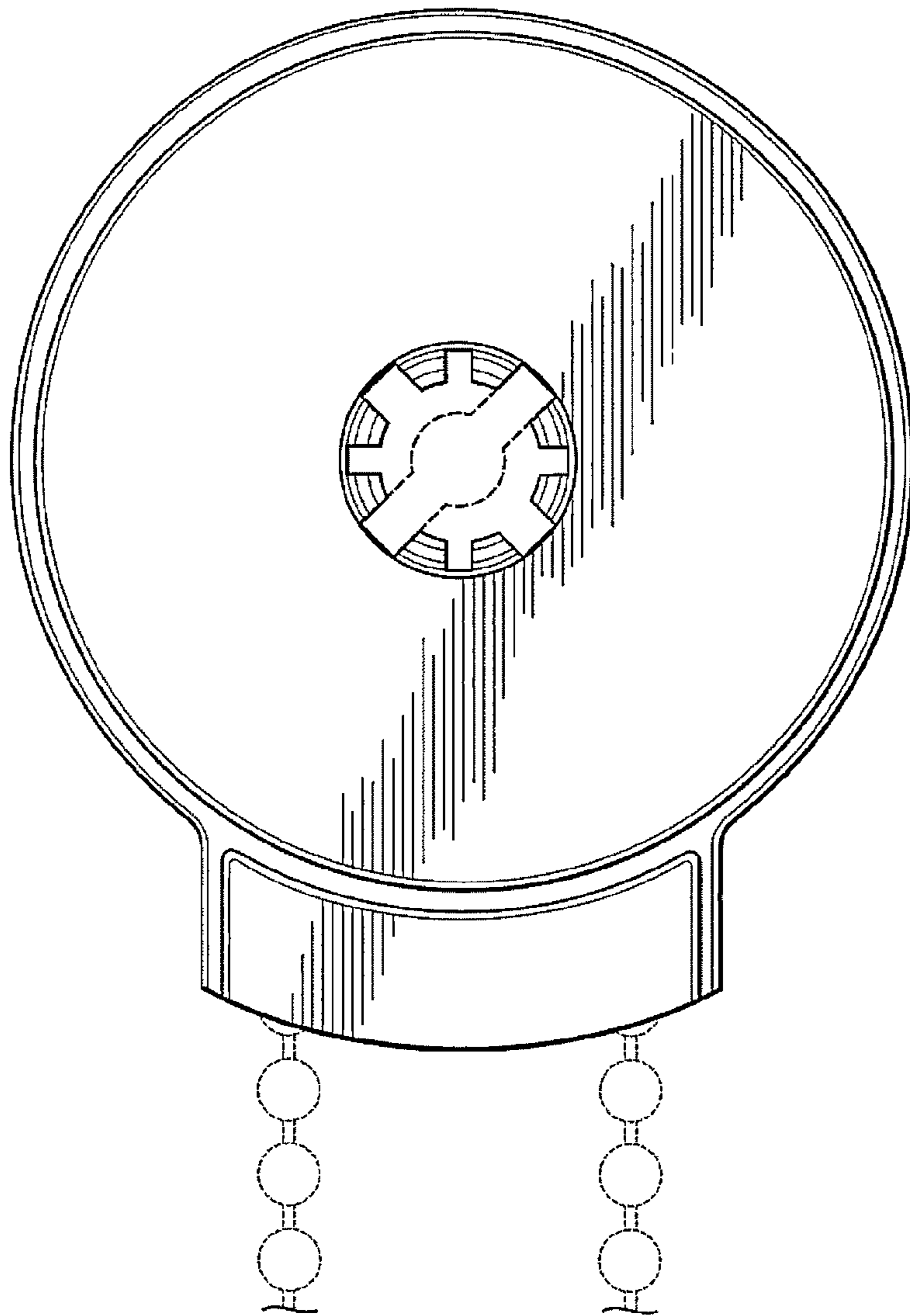


FIG. 1

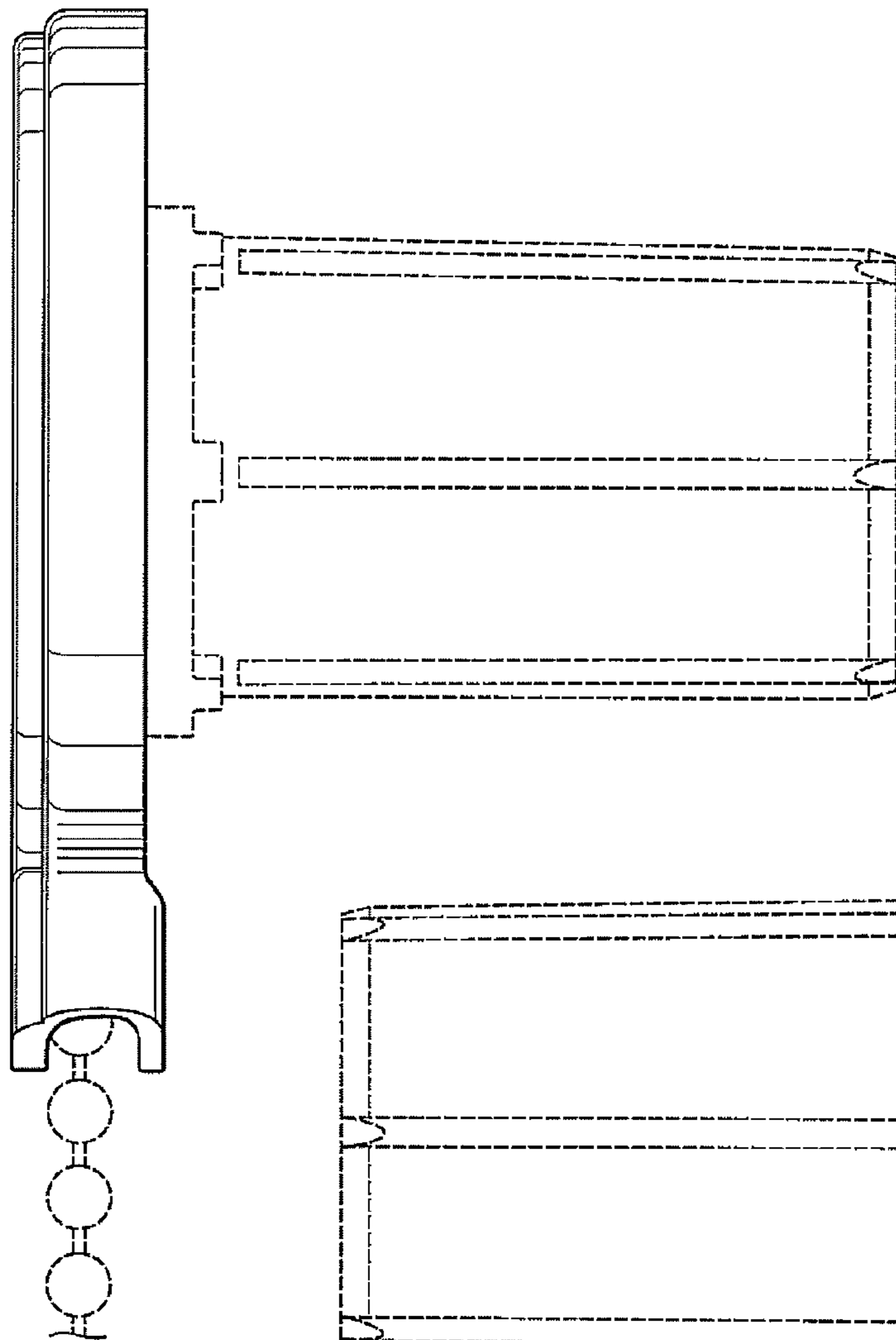


FIG. 2

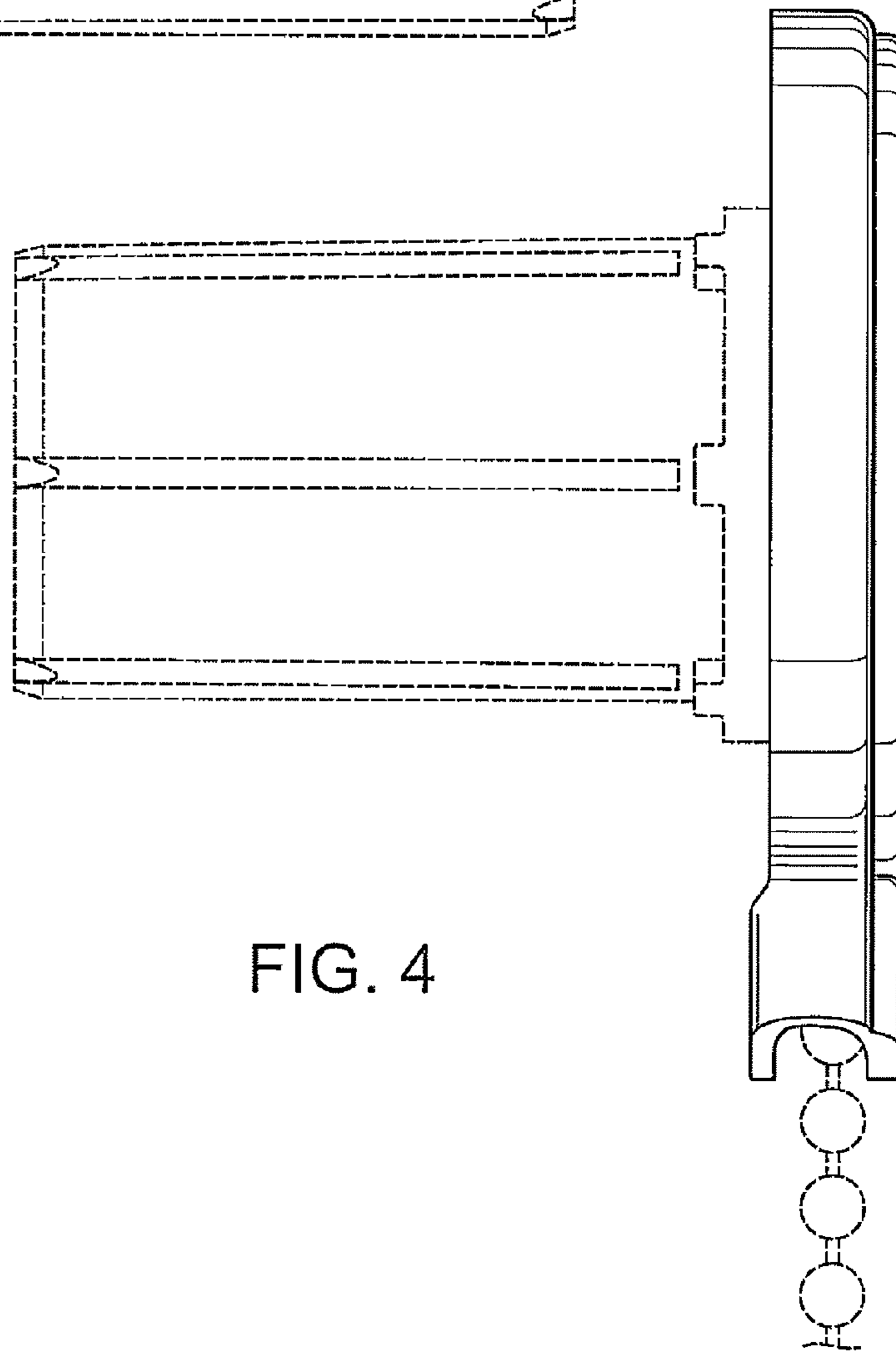


FIG. 4

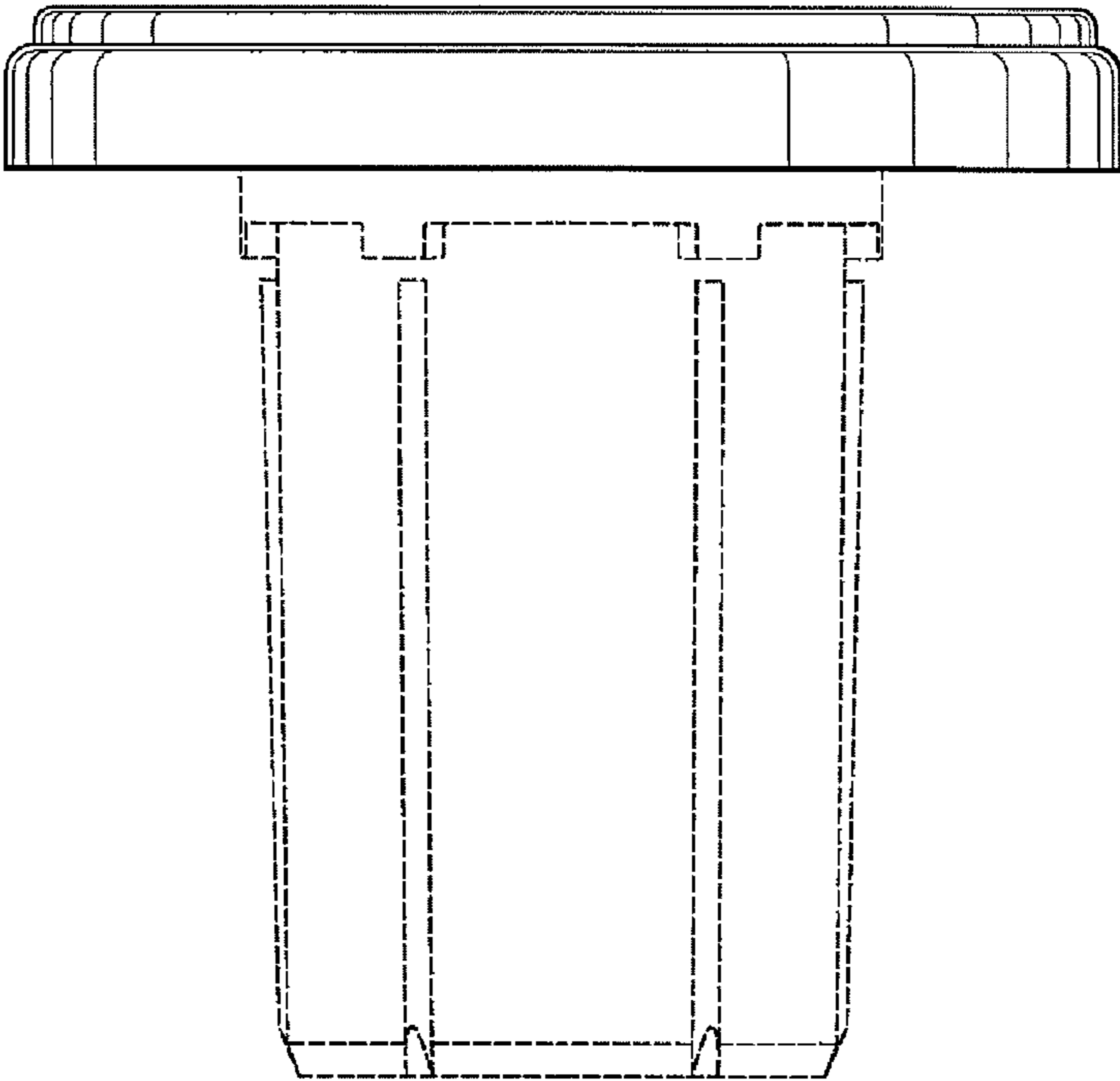


FIG. 3

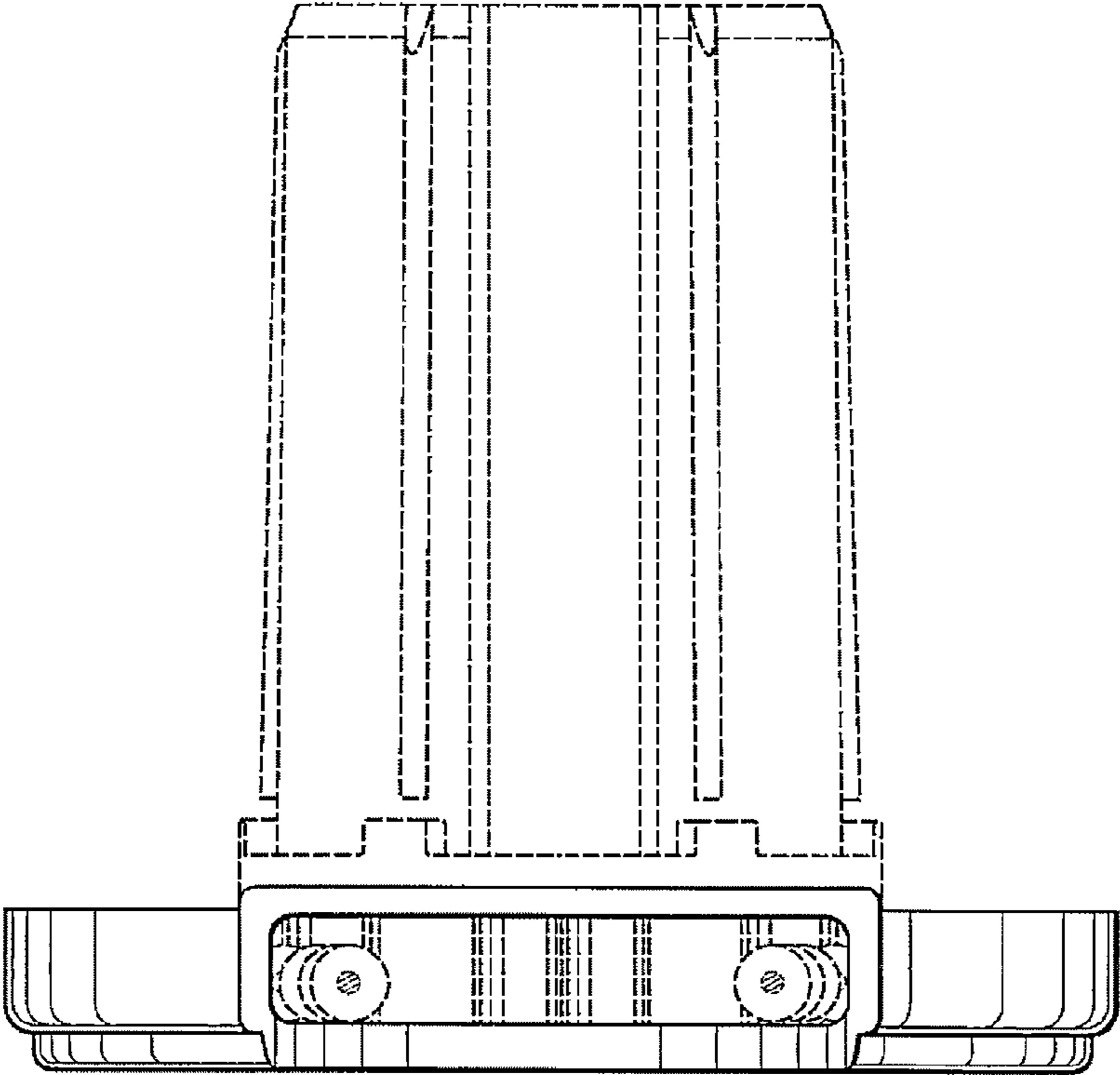


FIG. 5

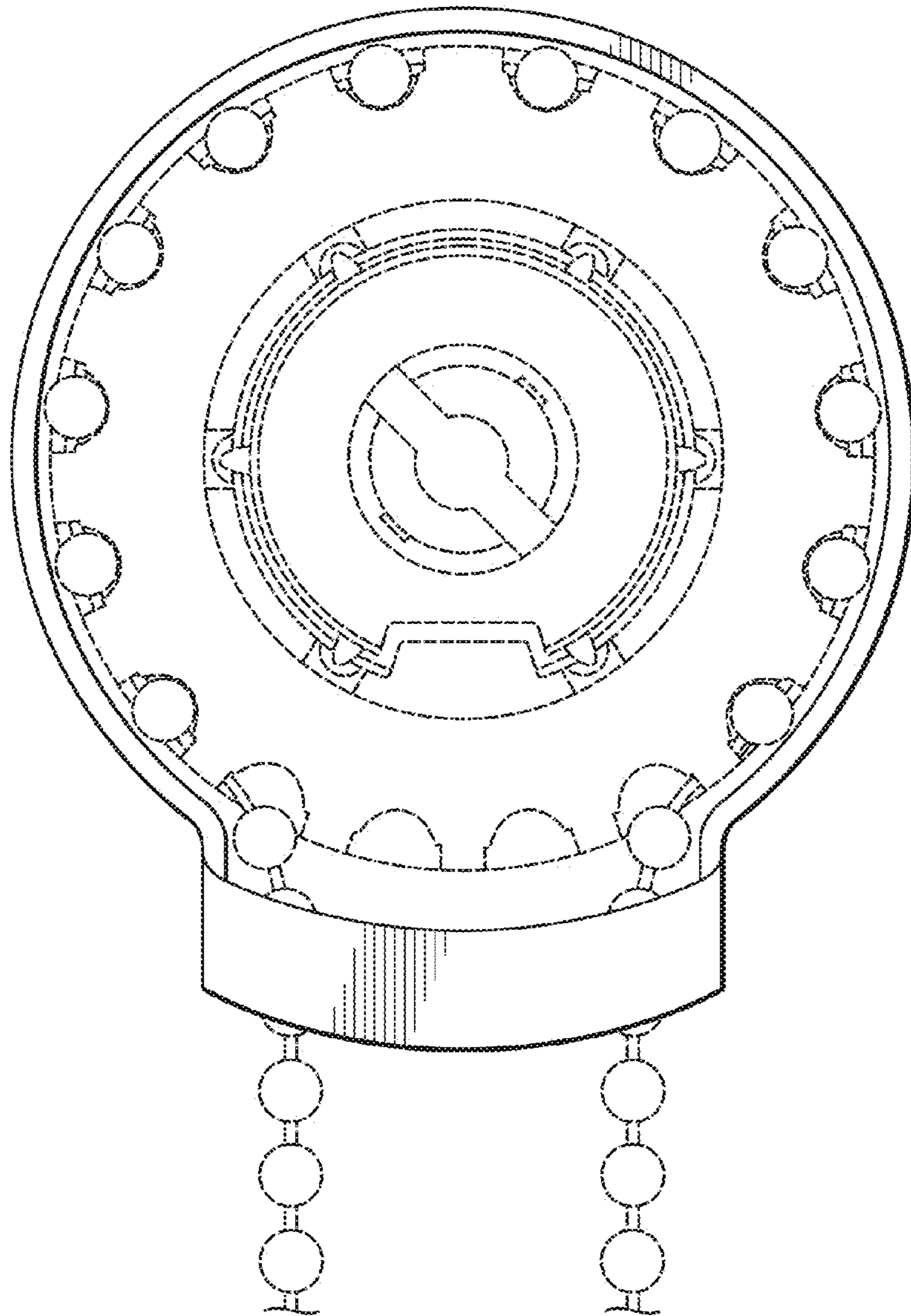


FIG. 6

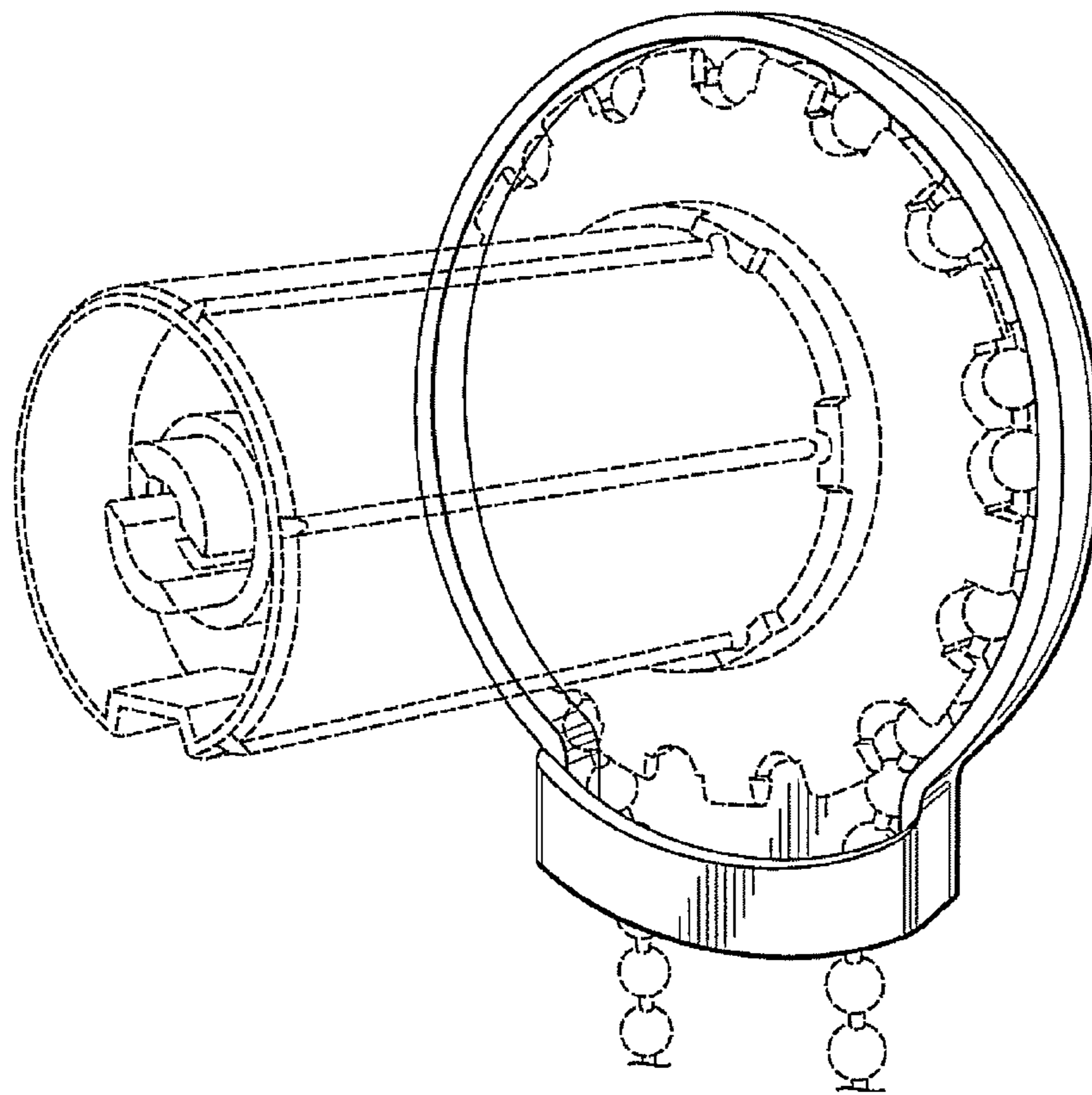


FIG. 7

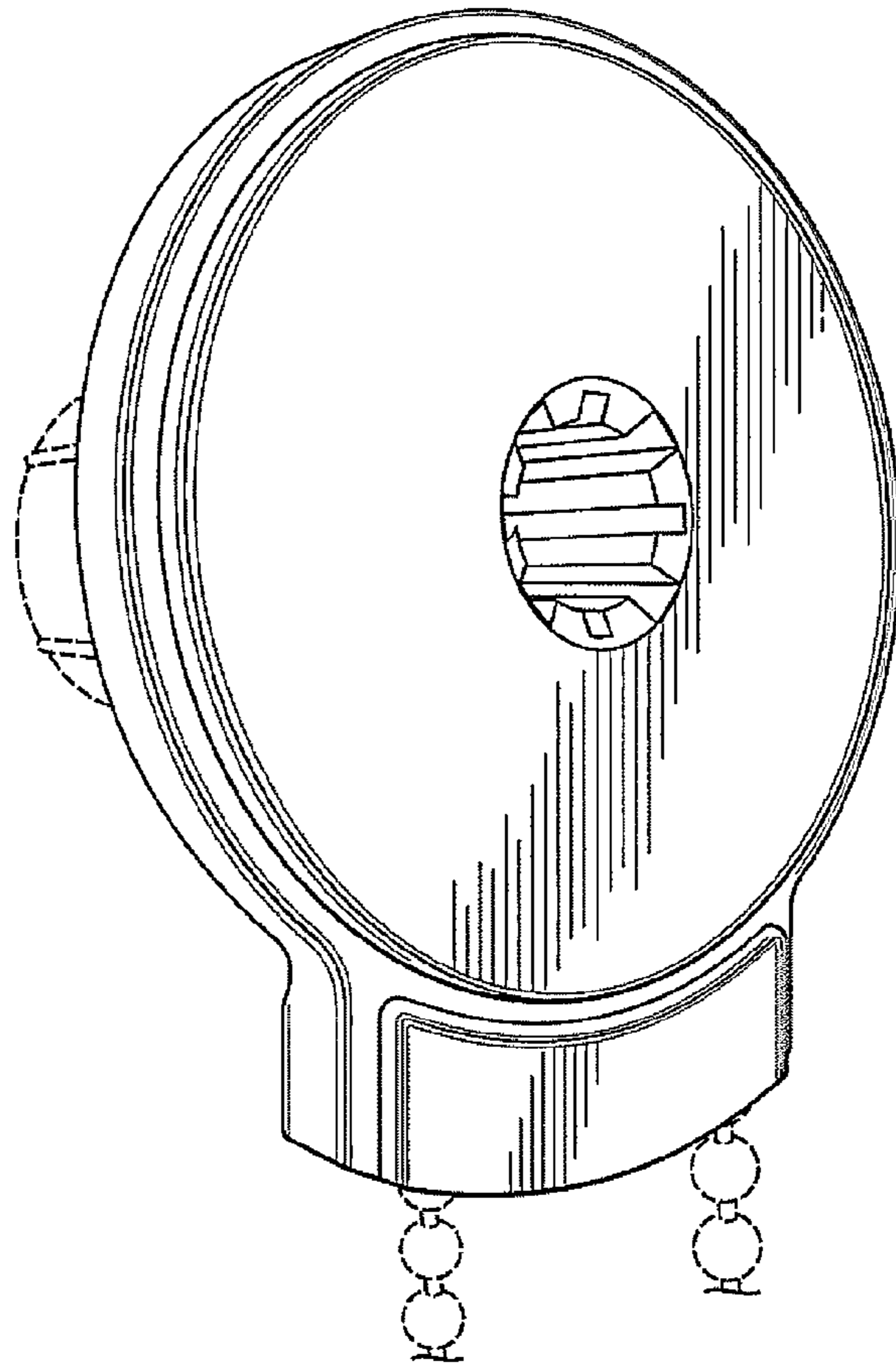


FIG. 8