



US00D710127S

(12) **United States Design Patent**
Chauhan et al.

(10) **Patent No.:** **US D710,127 S**

(45) **Date of Patent:** **** Aug. 5, 2014**

(54) **SOAP DISPENSER**

(71) Applicant: **Joseph Joseph Ltd.**, London (GB)

(72) Inventors: **Tej Chauhan**, London (GB); **Beatrice Mueller**, London (GB)

(73) Assignee: **Joseph Joseph Ltd.**, London (GB)

(**) Term: **14 Years**

(21) Appl. No.: **29/448,634**

(22) Filed: **Mar. 13, 2013**

(30) **Foreign Application Priority Data**

Sep. 18, 2012 (EM) 002104828-0001

(51) **LOC (10) Cl.** **23-02**

(52) **U.S. Cl.**
USPC **D6/542**

(58) **Field of Classification Search**
USPC D6/542-545; D9/682, 688, 690, 291,
D9/448, 449; 221/282; 222/14, 173, 146.3,
222/628, 251, 181.1, 181.3
See application file for complete search history.

(56) **References Cited**

U.S. PATENT DOCUMENTS

D528,912 S *	9/2006	van der Heijden et al.	D6/542
D529,384 S *	10/2006	van der Heijden et al.	D6/542
D622,526 S *	8/2010	Dai	D6/542
D661,149 S *	6/2012	Yang et al.	D6/542
D665,610 S *	8/2012	Kanfer et al.	D6/542
D672,177 S *	12/2012	Zeng	D6/542
D687,652 S *	8/2013	Lin	D6/542
D693,597 S *	11/2013	Yang et al.	D6/542

* cited by examiner

Primary Examiner — Brian N Vinson

(74) *Attorney, Agent, or Firm* — Millen, White, Zelano & Branigan, P.C.

(57) **CLAIM**

The ornamental design for a soap dispenser, as shown and described.

DESCRIPTION

FIG. 1 is a perspective view of the soap dispenser showing my new design.

FIG. 2 is a back view thereof.

FIG. 3 is another back view thereof.

FIG. 4 is a top view thereof.

FIG. 5 is a bottom view thereof.

FIG. 6 is a side view thereof.

FIG. 7 is another side view thereof.

FIG. 8 is a perspective view of the soap dispenser in an environment of use.

FIG. 9 is a back view of the soap dispenser in an environment of use.

FIG. 10 is another back view of the soap dispenser in an environment of use.

FIG. 11 is a top view of the soap dispenser in an environment of use.

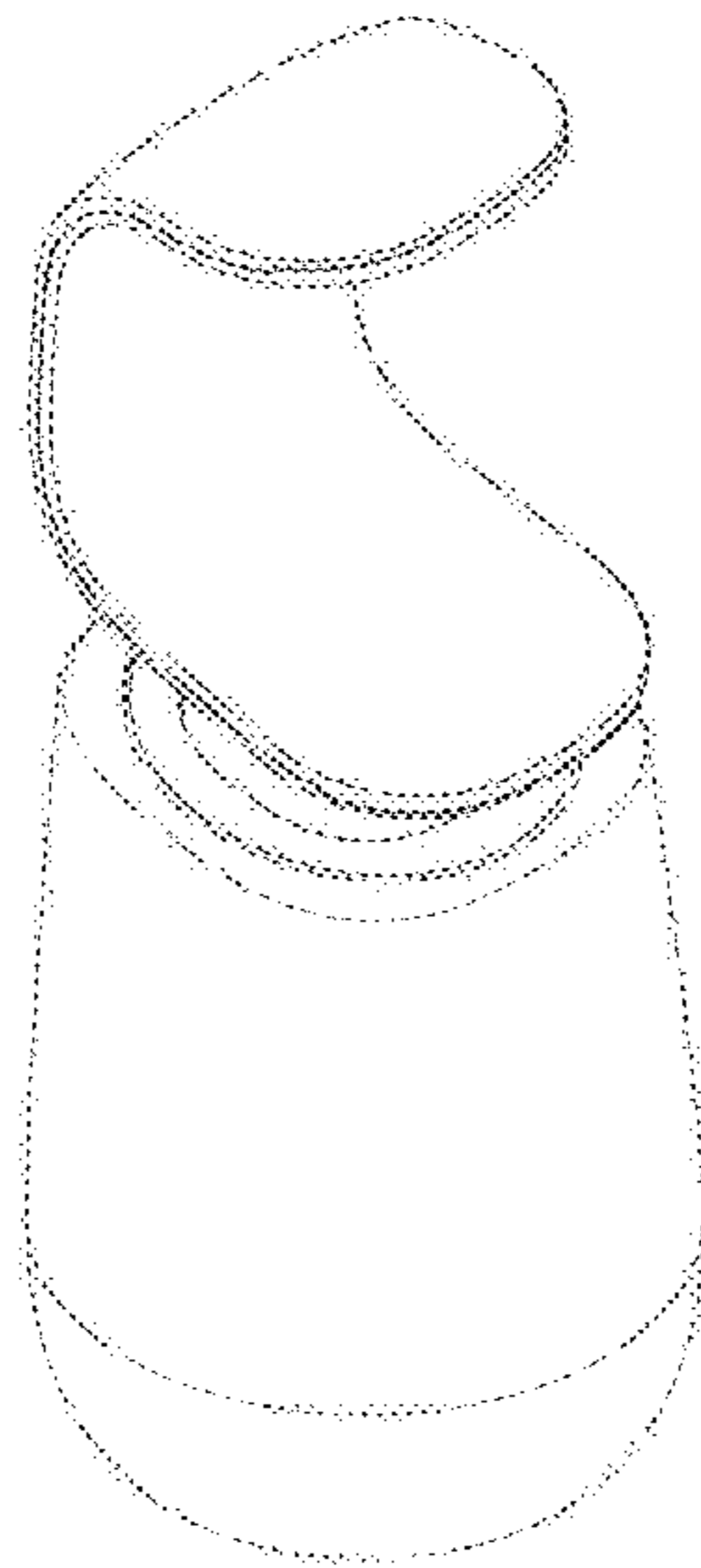
FIG. 12 is a bottom view of the soap dispenser in an environment of use.

FIG. 13 is a side view of the soap dispenser in an environment of use; and,

FIG. 14 is another side view of the soap dispenser in an environment of use.

The broken lines shown in the drawings represent portions of the soap dispenser that form no part of the claimed design.

1 Claim, 14 Drawing Sheets



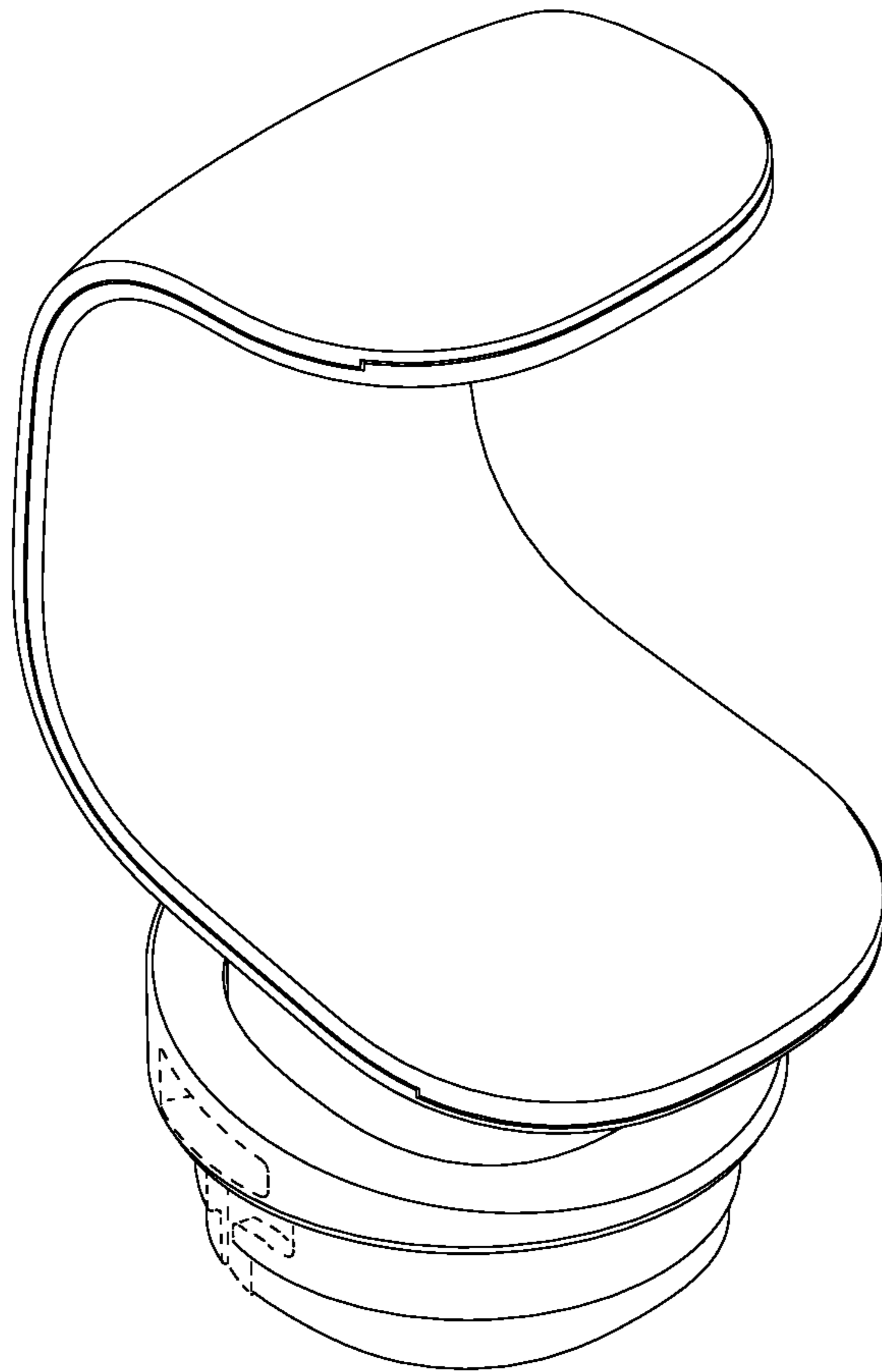


Fig. 1

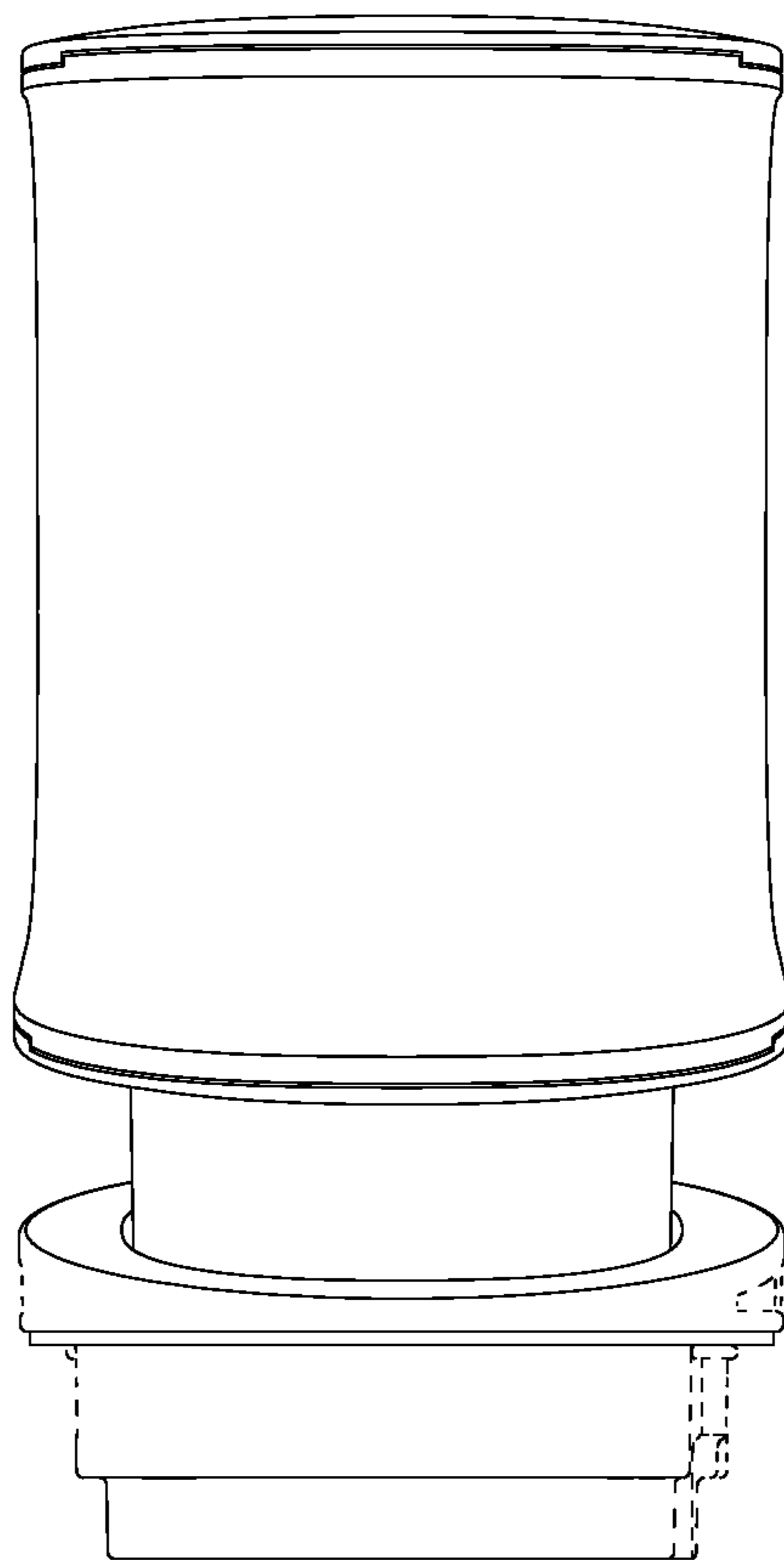


Fig. 2

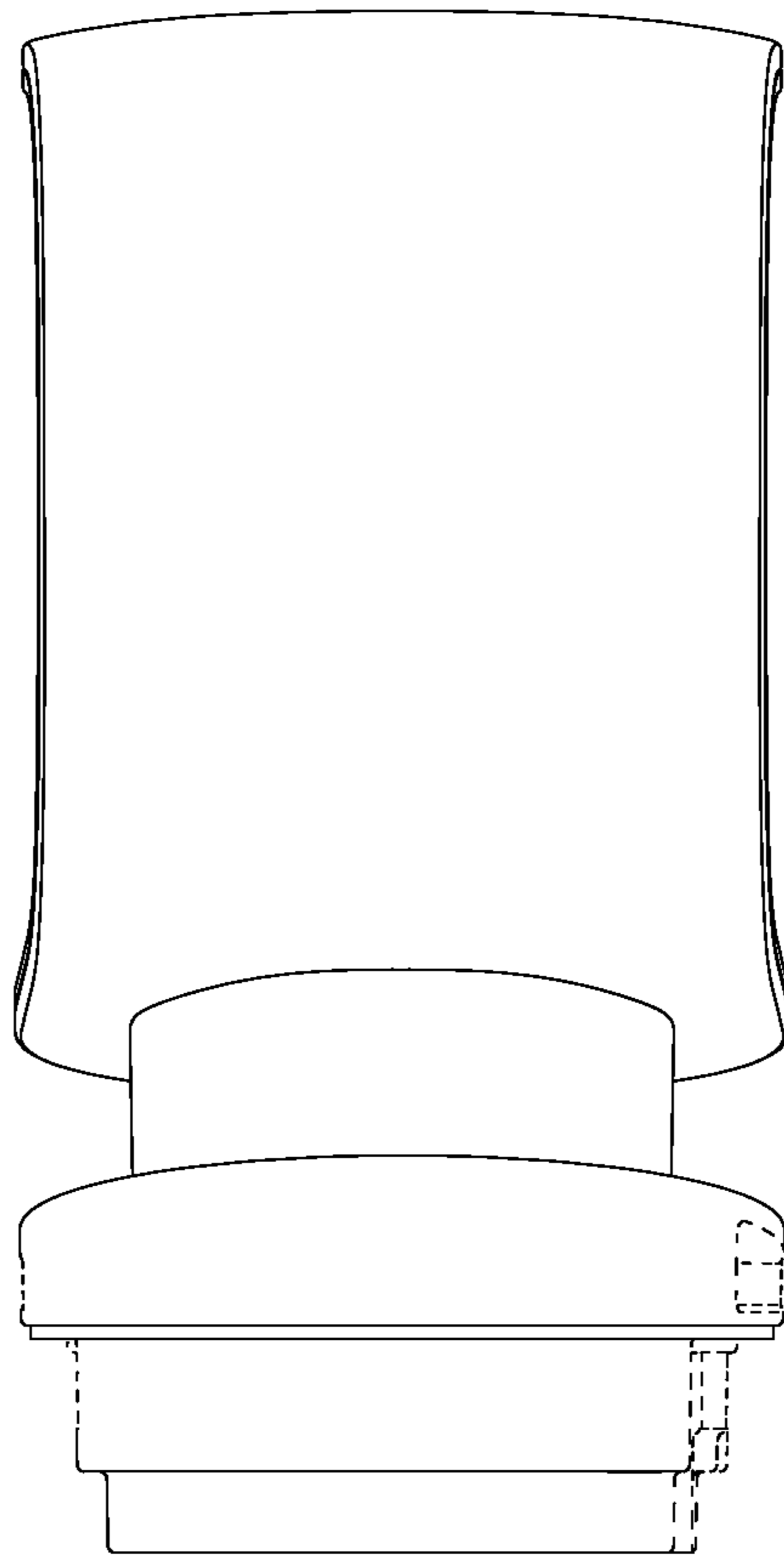


Fig. 3

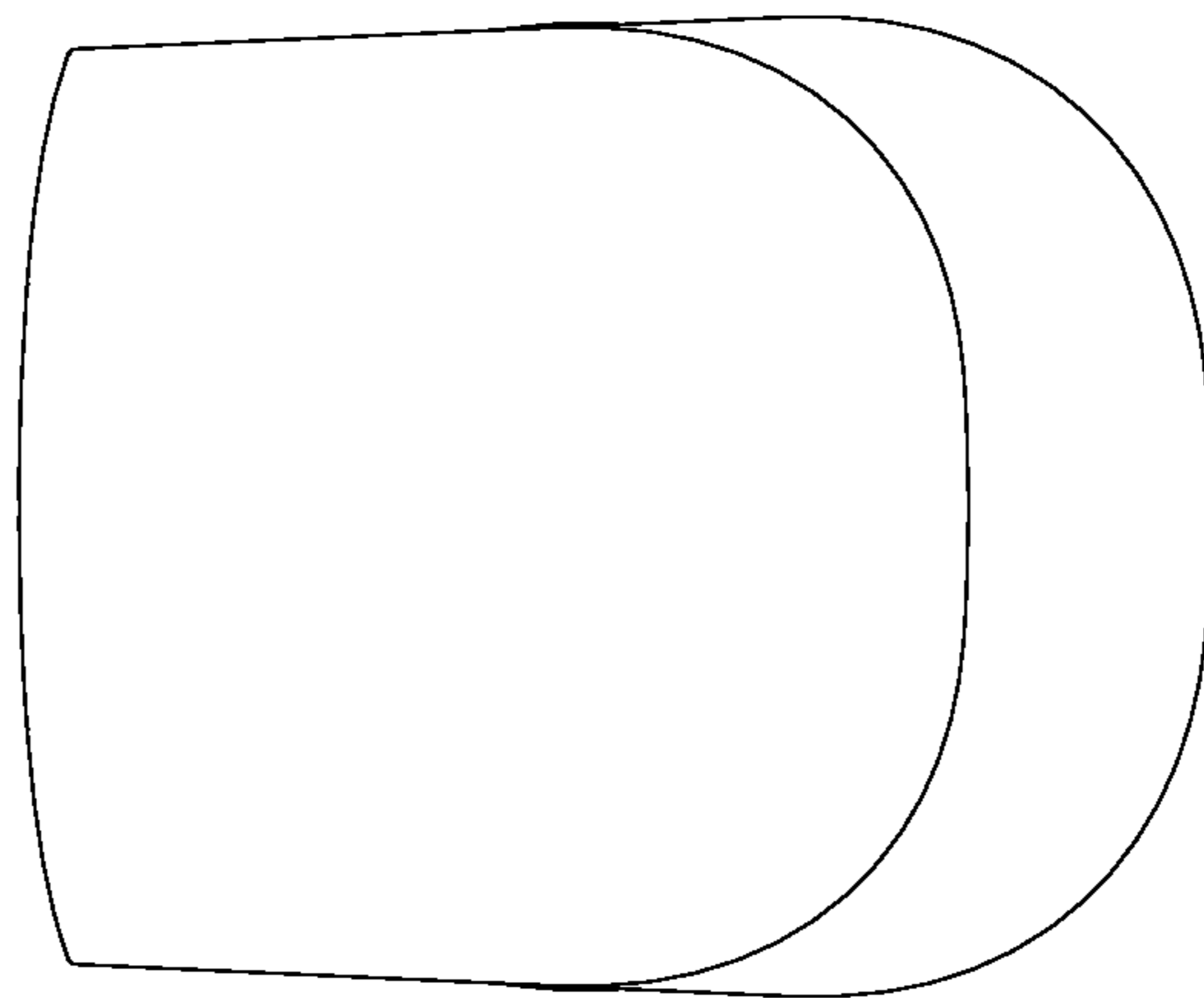


Fig. 4

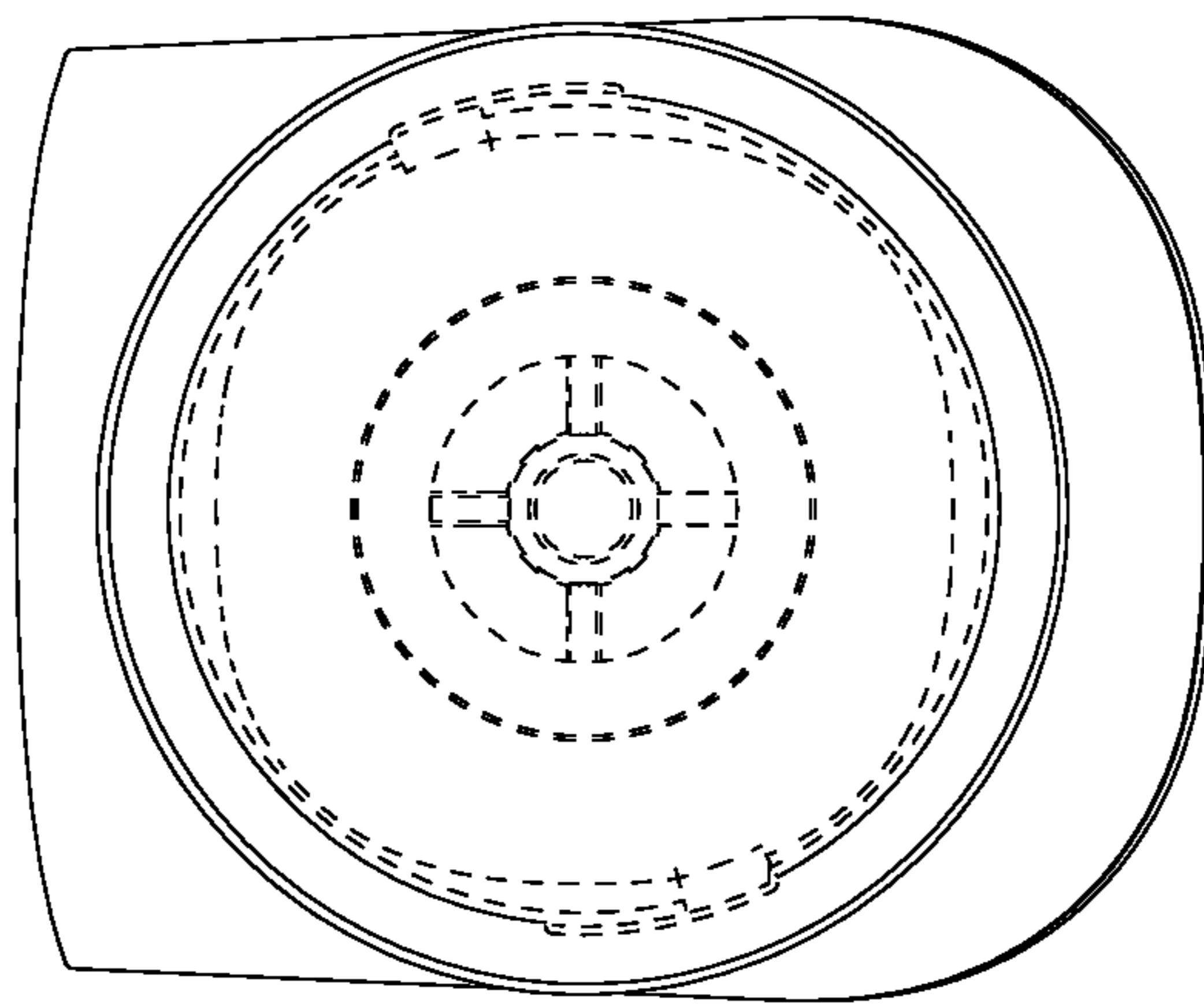


Fig. 5

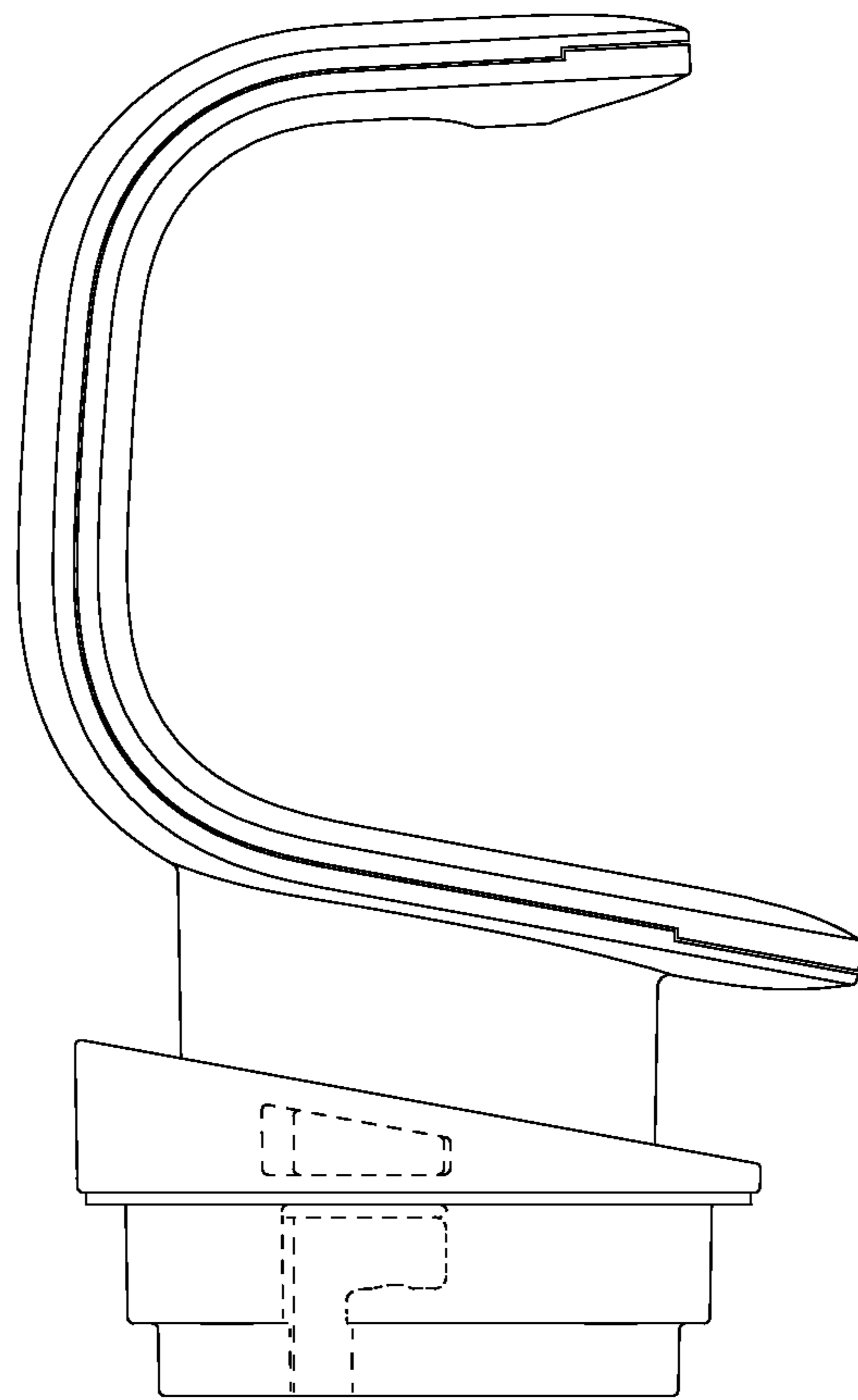


Fig. 6

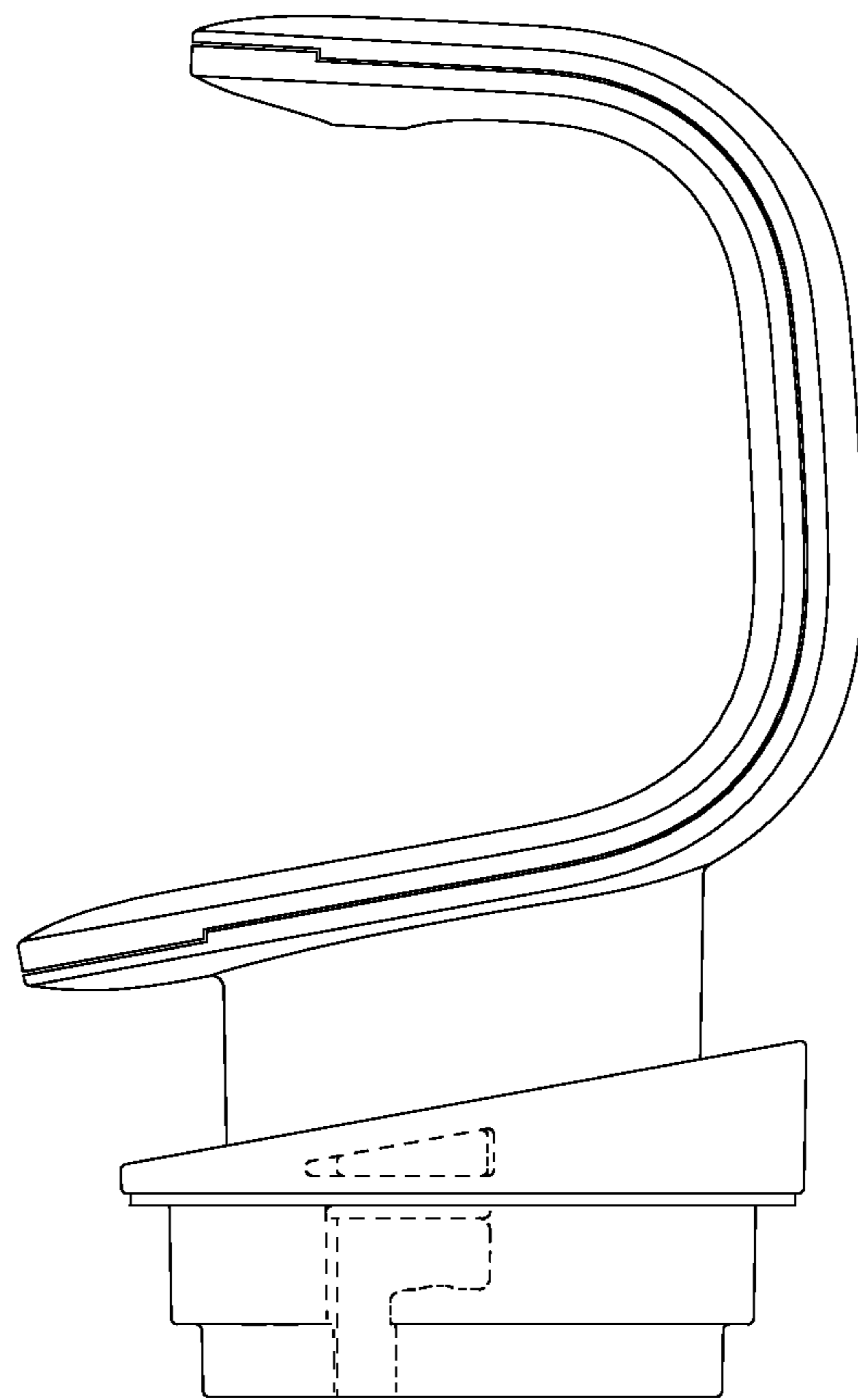


Fig. 7

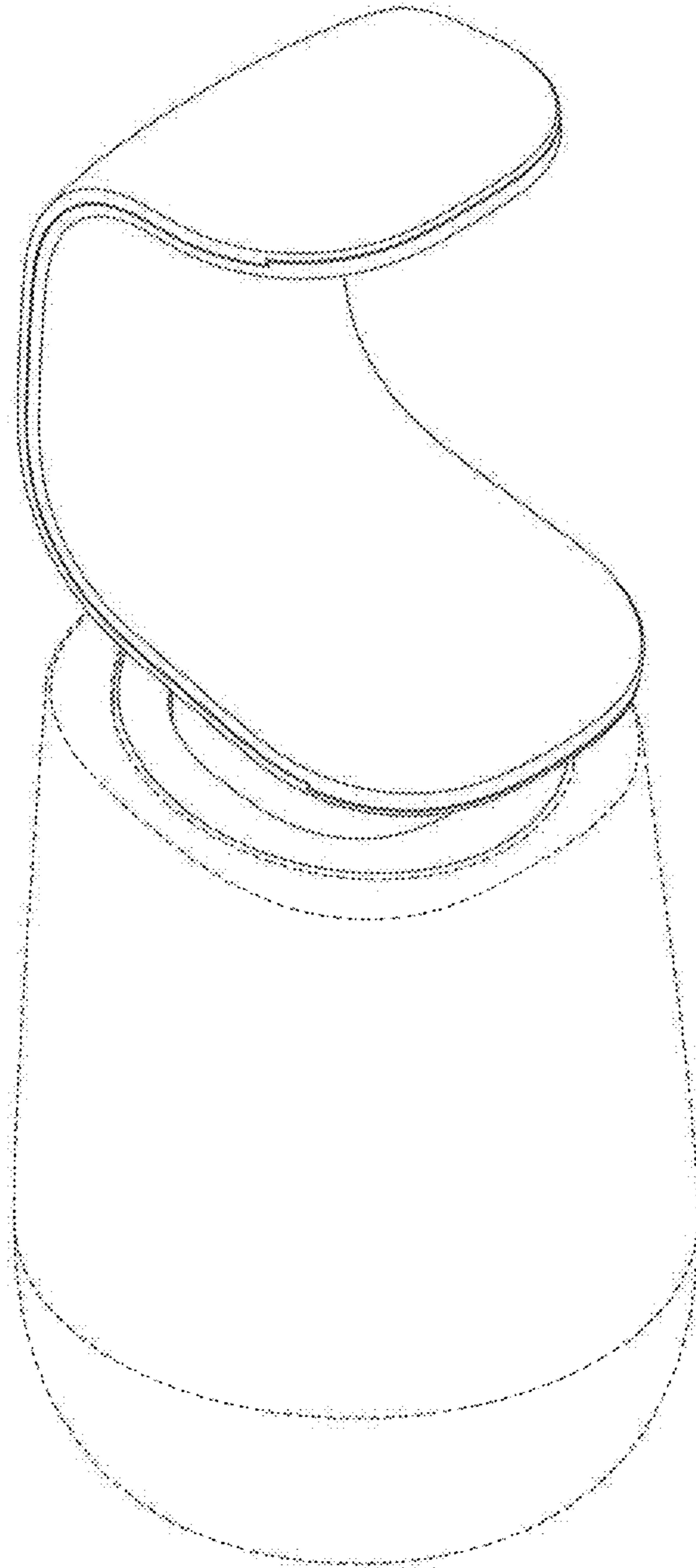


Fig. 8

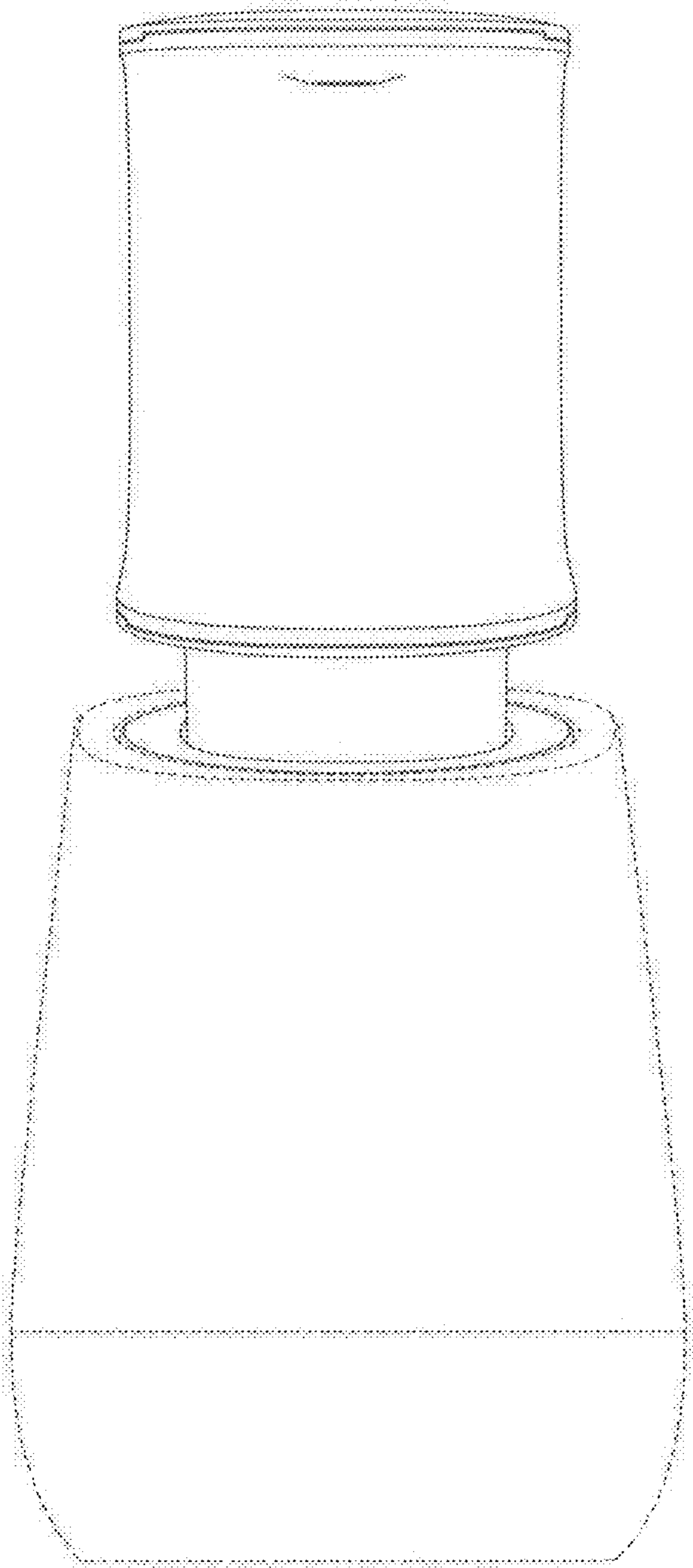


Fig. 9

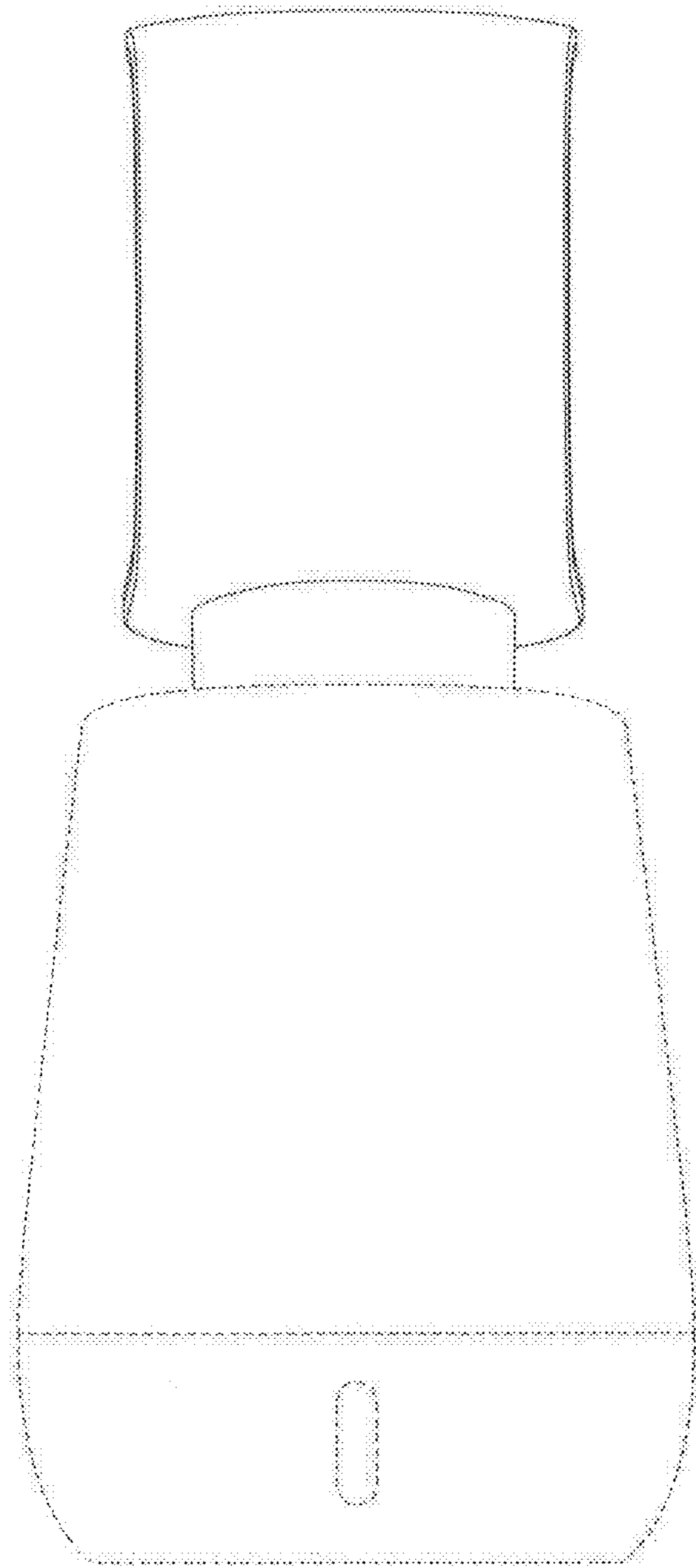


Fig. 10

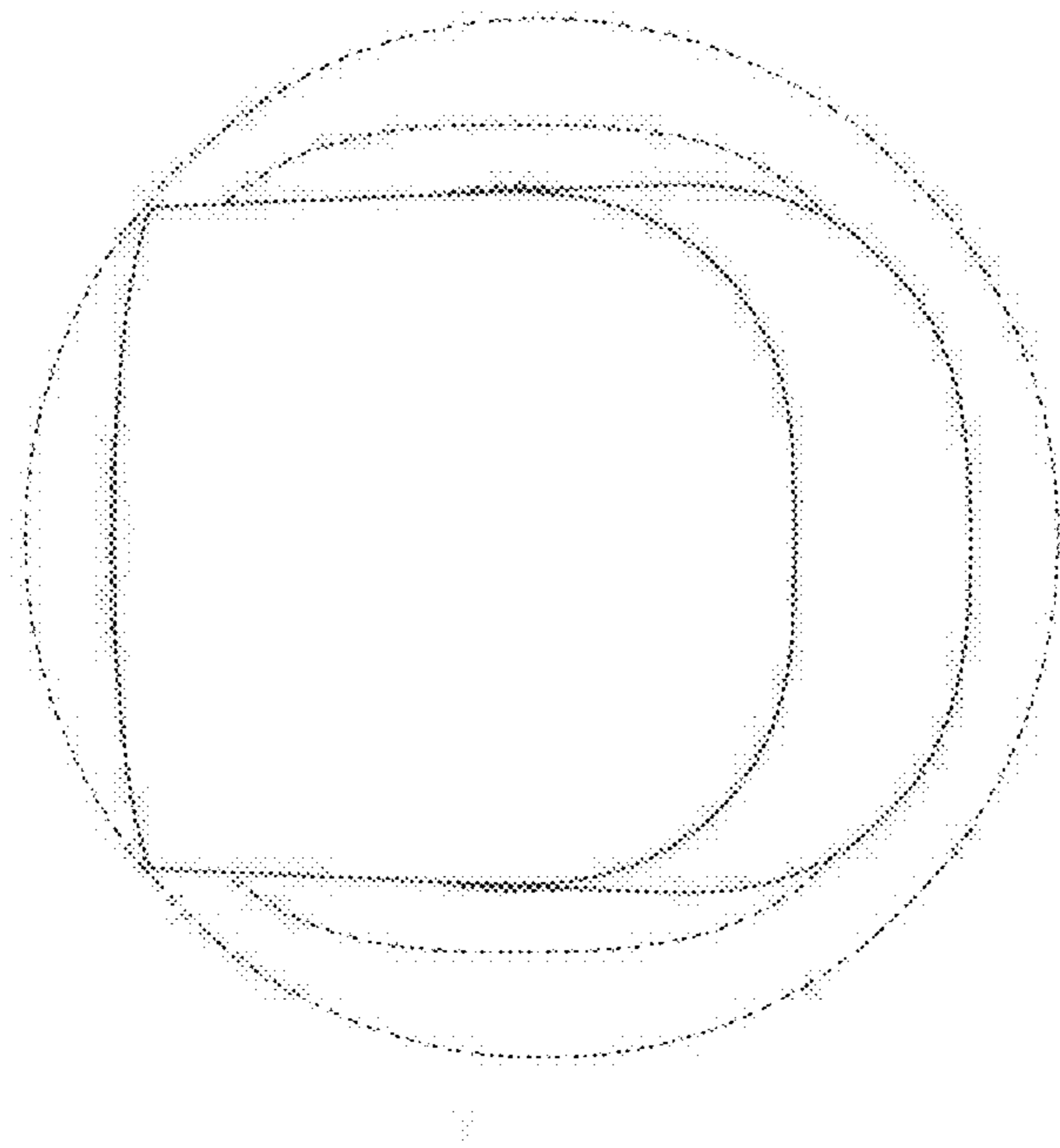


Fig. 11

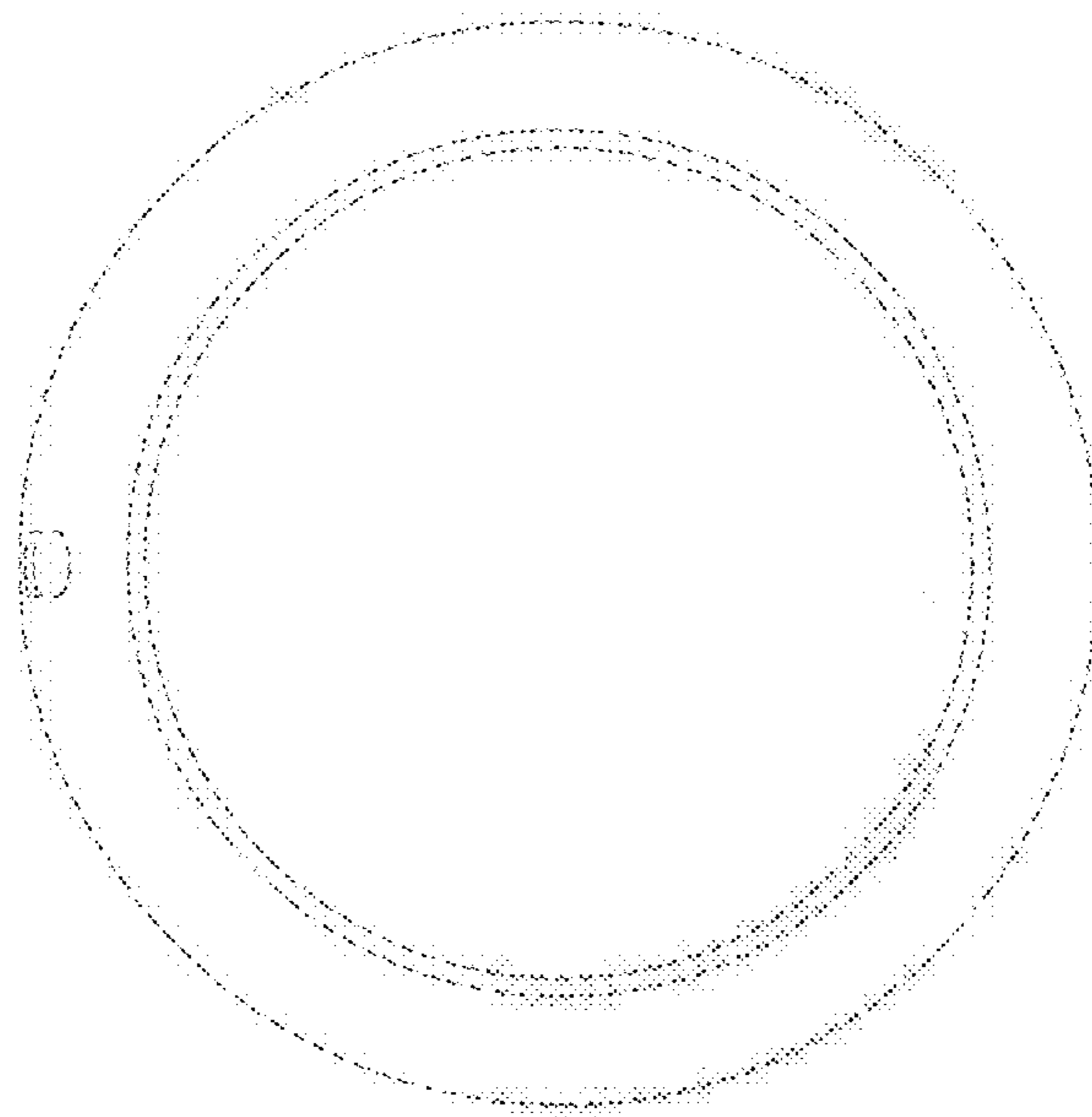


Fig. 12

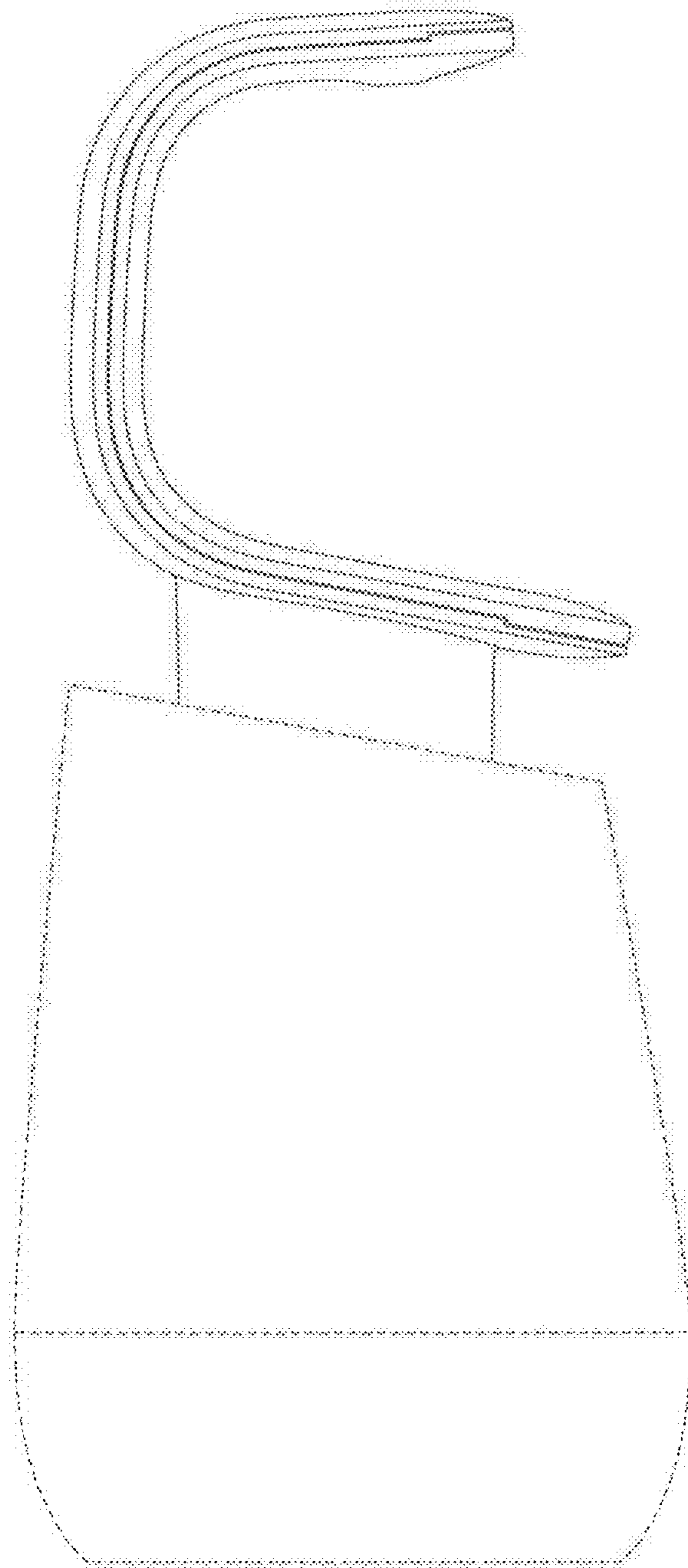


Fig. 13

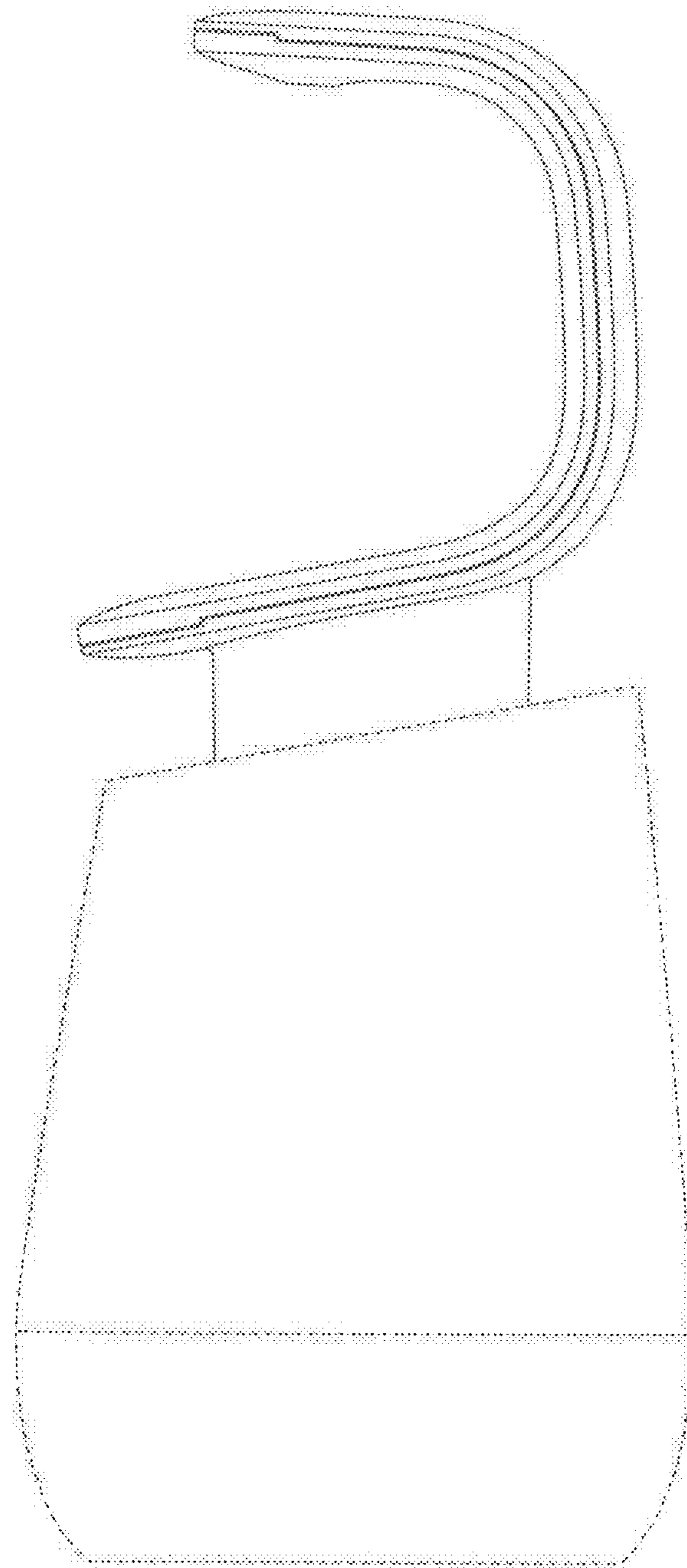


Fig. 14