



US00D710126S

(12) **United States Design Patent**
Salonen

(10) **Patent No.:** **US D710,126 S**

(45) **Date of Patent:** **** Aug. 5, 2014**

(54) **TABLET DISPENSER**

(71) Applicant: **Evondos Oy**, Salo (FI)

(72) Inventor: **Ari Salonen**, Turku (FI)

(73) Assignee: **Evondos Oy**, Salo (FI)

(**) Term: **14 Years**

(21) Appl. No.: **29/459,990**

(22) Filed: **Jul. 5, 2013**

Related U.S. Application Data

(63) Continuation of application No. 29/445,777, filed on Feb. 15, 2013.

(30) **Foreign Application Priority Data**

Aug. 22, 2012 (EM) 0020905550001

Aug. 22, 2012 (EM) 0020905550002

(51) **LOC (10) Cl.** **20-02**

(52) **U.S. Cl.**
USPC **D6/515**

(58) **Field of Classification Search**
CPC .. B65D 83/0454; A47B 81/00; A47K 10/424;
A47K 10/185
USPC D6/515, 517; 206/704; 211/13.1;
221/45-46, 49, 66, 282-283

See application file for complete search history.

(56) **References Cited**

U.S. PATENT DOCUMENTS

D541,088 S * 4/2007 Nesci D6/515

D585,223 S * 1/2009 Rust D6/515

D679,527 S * 4/2013 Schick D6/515

FOREIGN PATENT DOCUMENTS

EP 2026298 A1 2/2009

WO 2011042840 A1 4/2011

* cited by examiner

Primary Examiner — Brian N Vinson

(74) *Attorney, Agent, or Firm* — Stiennon & Stiennon

(57) **CLAIM**

The ornamental design for a tablet dispenser, as shown and described.

DESCRIPTION

FIG. 1 is a front perspective view of the tablet dispenser of my invention;

FIG. 2 is a front elevational view thereof;

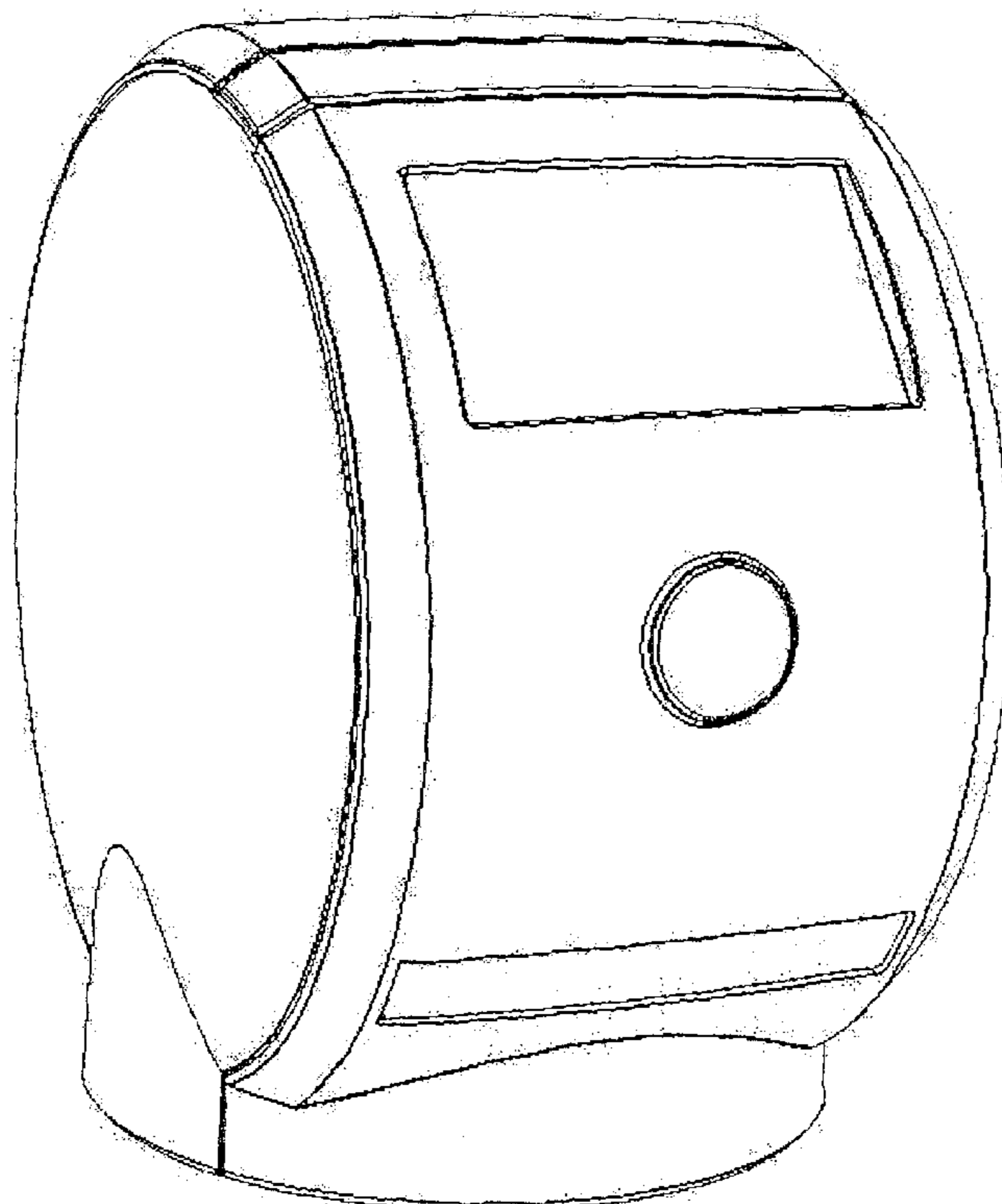
FIG. 3 is a rear elevational view thereof;

FIG. 4 is a top plan view thereof;

FIG. 5 is a bottom plan view thereof; and,

FIG. 6 is a right side elevational view, the side opposite being a mirror image thereof.

1 Claim, 4 Drawing Sheets



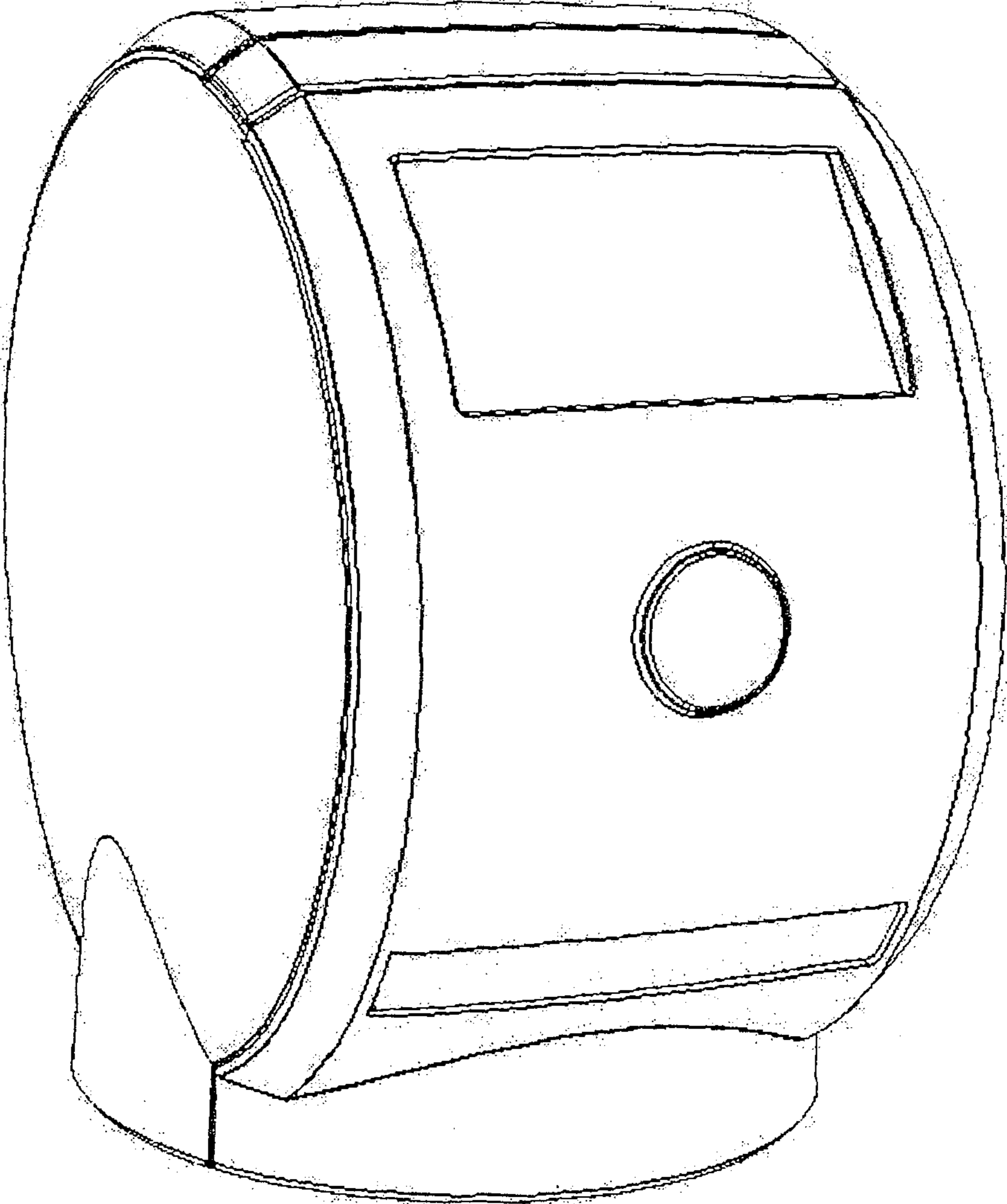


Fig. 1

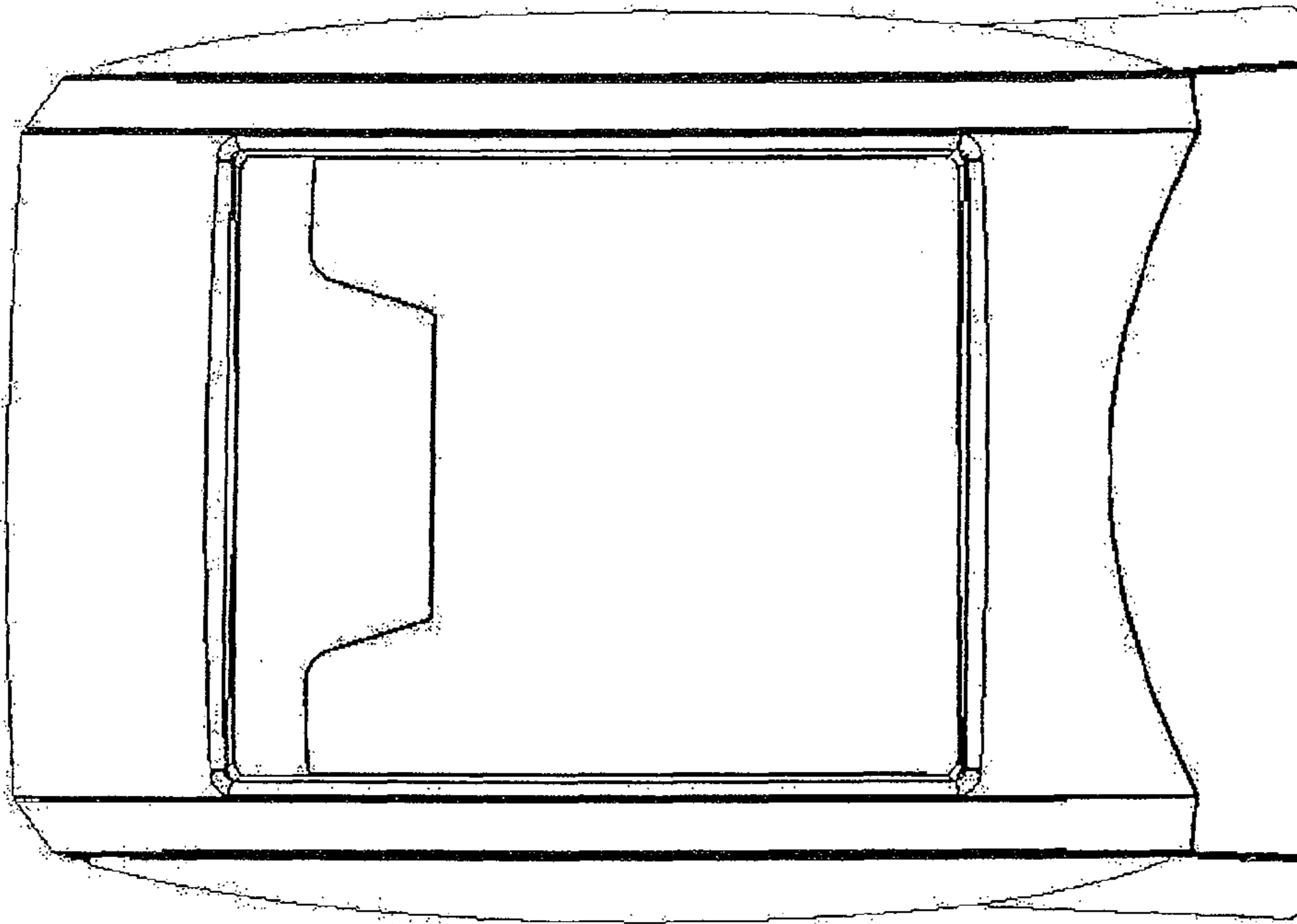


Fig. 3

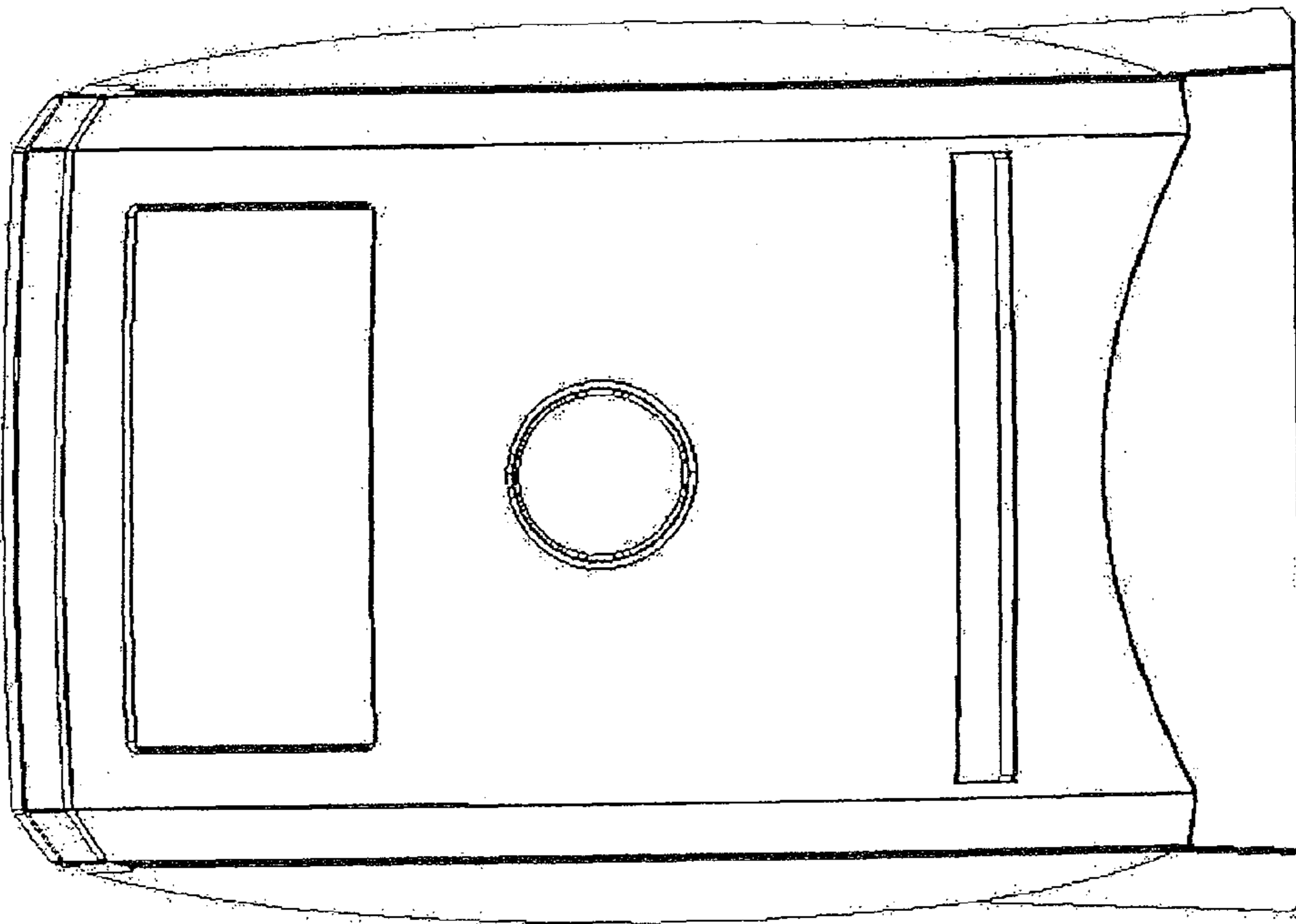


Fig. 2

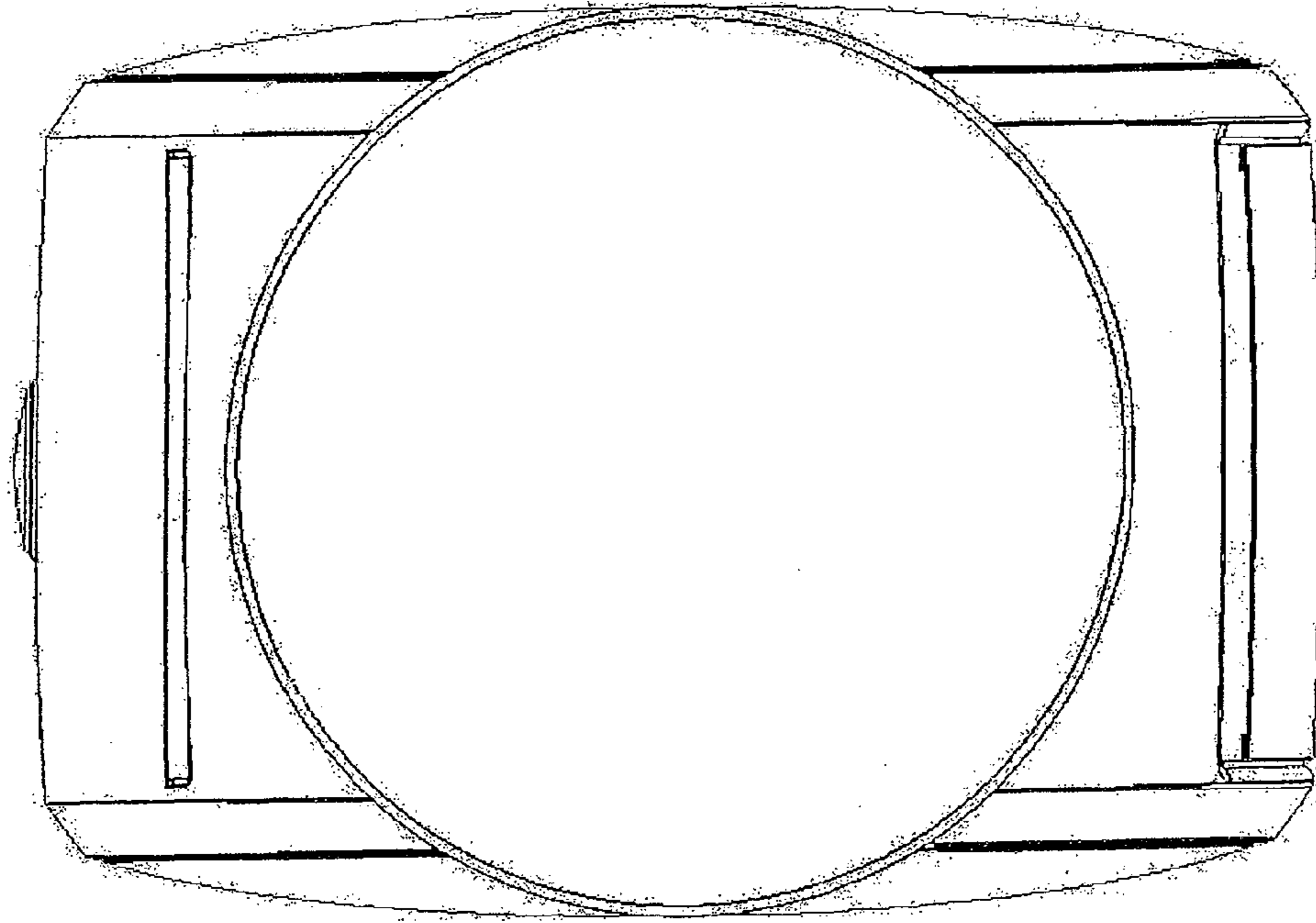


Fig. 5

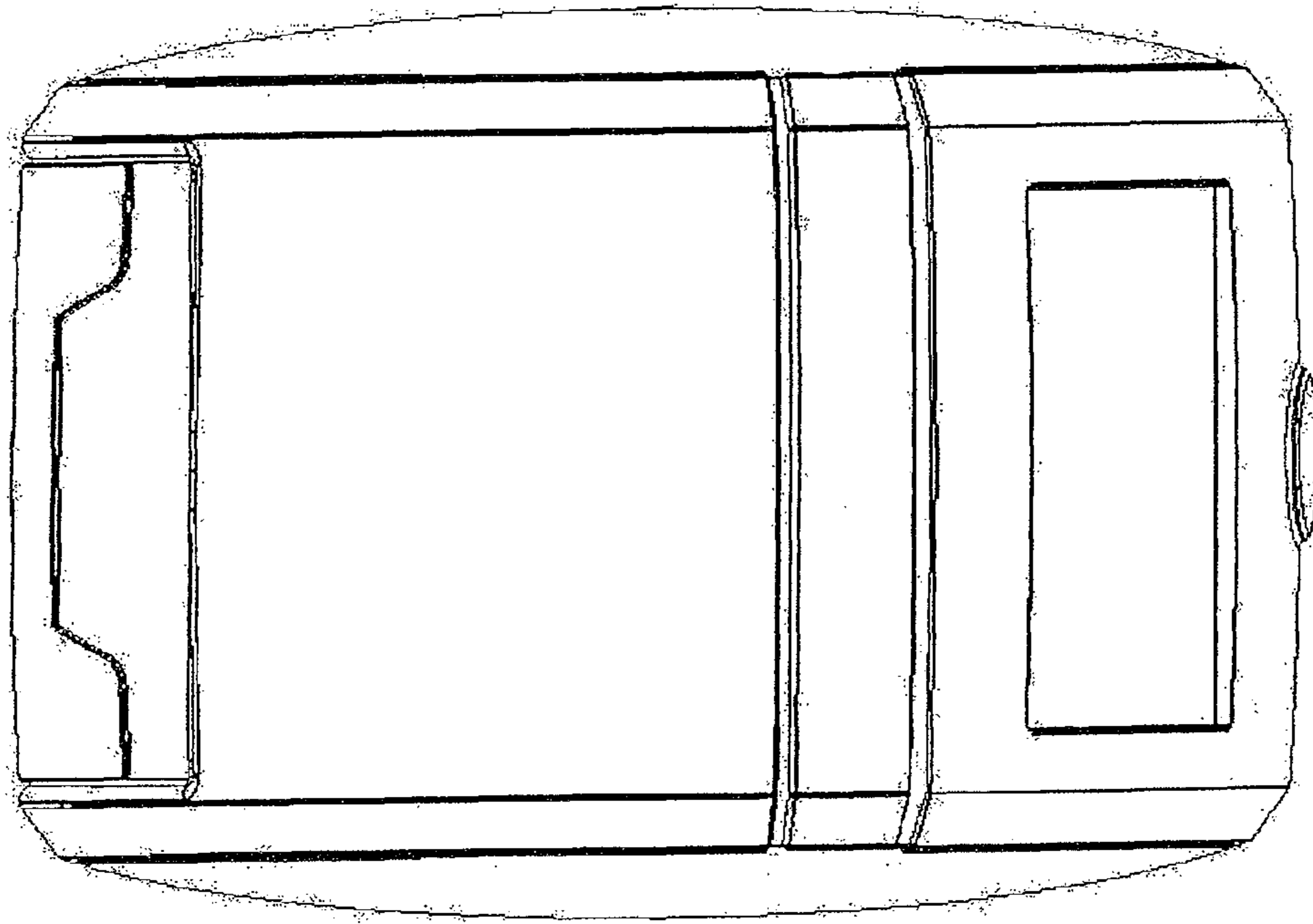


Fig. 4

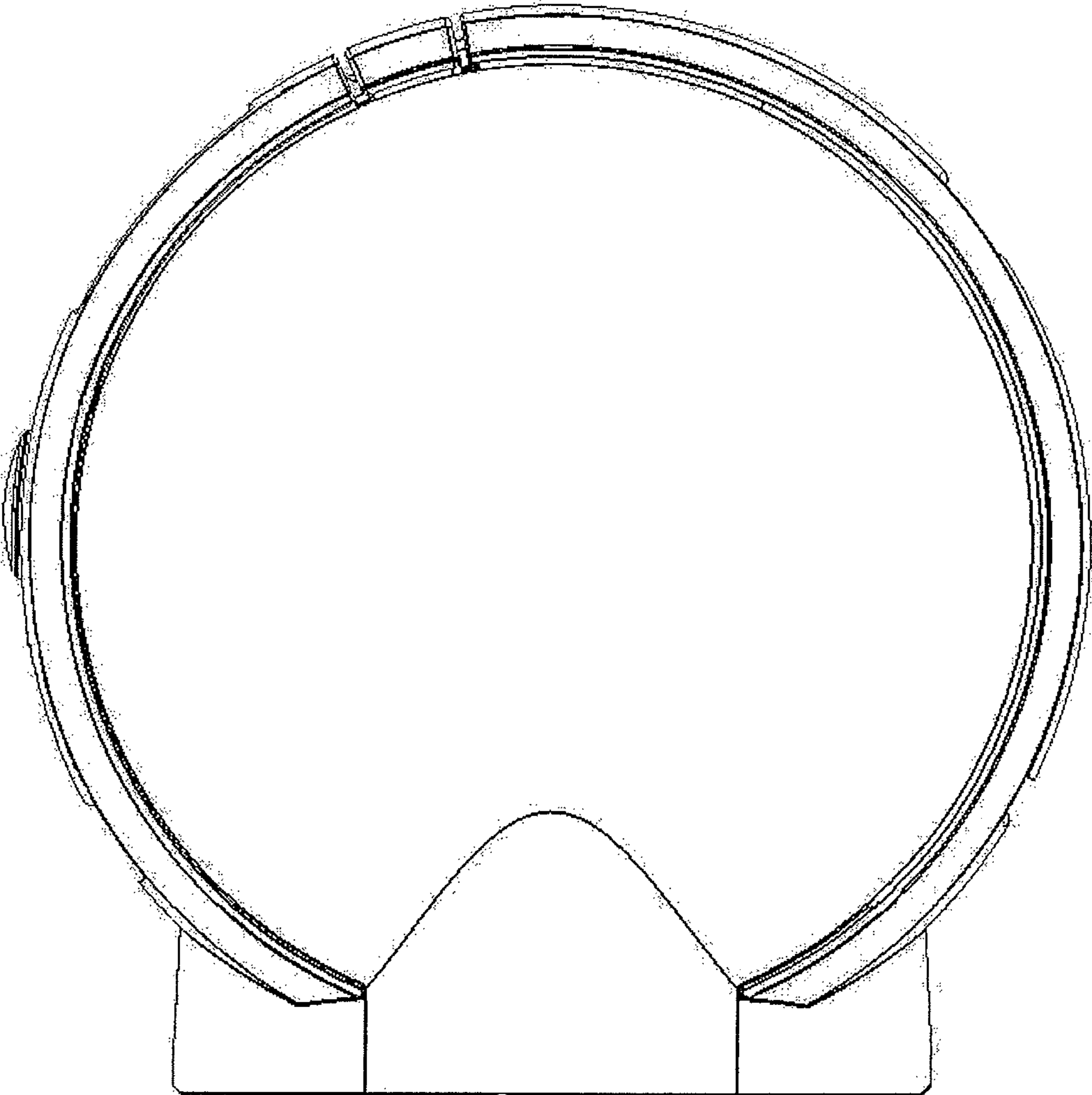


Fig. 6