



US00D710124S

(12) **United States Design Patent**  
**Goodman et al.**

(10) **Patent No.:** **US D710,124 S**

(45) **Date of Patent:** **\*\* Aug. 5, 2014**

(54) **OVER THE SHELF BASKET**

- (71) Applicant: **Spectrum Diversified Designs, Inc.**, Streetsboro, OH (US)
- (72) Inventors: **Sheldon H. Goodman**, Solon, OH (US); **Phaysouk Xayoiphonh**, Akron, OH (US); **Jennifer Case**, Middleburg Heights, OH (US)
- (73) Assignee: **Spectrum Diversified Designs, Inc.**, Streetsboro, OH (US)

(\*\*) Term: **14 Years**

(21) Appl. No.: **29/446,980**

(22) Filed: **Feb. 28, 2013**

(51) **LOC (10) Cl.** ..... **06-06**

(52) **U.S. Cl.**  
USPC ..... **D6/513; D6/566; D3/306**

(58) **Field of Classification Search**  
USPC ..... **D3/304, 306; 206/202, 513, 557; 211/13.1, 41.3, 41.4, 86.01, 88.01, 211/134, 126.1, 181.1; 248/302; 220/485, 220/488; D6/513-514, 566**  
See application file for complete search history.

(56) **References Cited**

**U.S. PATENT DOCUMENTS**

D219,205 S	*	11/1970	Propst	.....	D3/306
D305,272 S	*	12/1989	Remmers	.....	D6/513
D415,915 S	*	11/1999	Camilleri et al.	.....	D6/513
D617,591 S	*	6/2010	Snider	.....	D6/513

**OTHER PUBLICATIONS**

InterDesign York Lyra Under Shelf Basket, Bronze (date unknown).  
Schulte Small Under Shelf Basket, White (date unknown).  
Under Shelf Wrap Rack in White model 1983W from Organize It All (date unknown).  
Wire World 20-Inch Under Shelf Basket, White (date unknown).

\* cited by examiner

*Primary Examiner* — Brian N Vinson

(74) *Attorney, Agent, or Firm* — Renner, Otto, Boisselle & Sklar, LLP

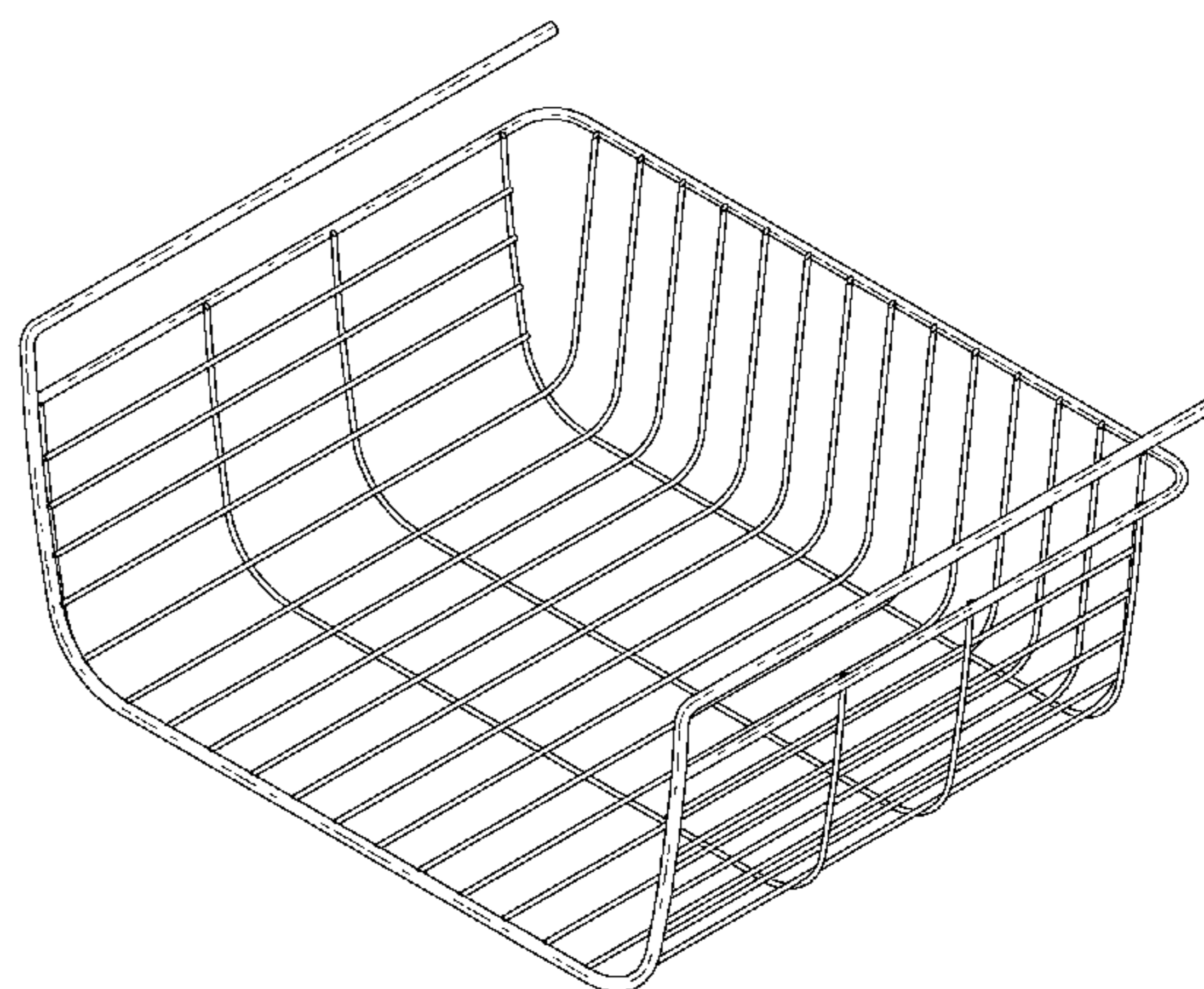
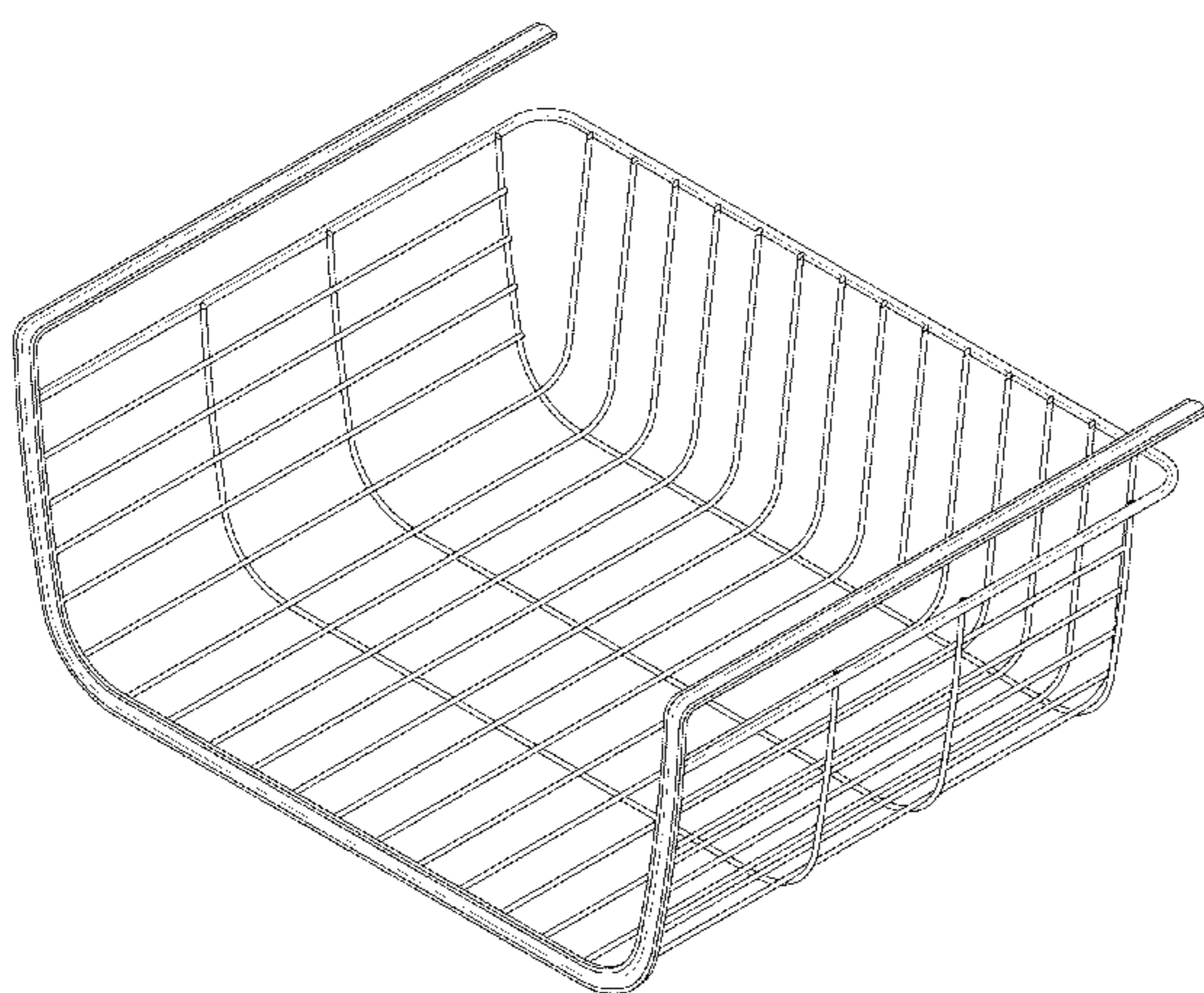
(57) **CLAIM**

The ornamental design for an over the shelf basket, as shown and described.

**DESCRIPTION**

FIG. 1 is a perspective view of an over the shelf basket showing my new design;  
FIG. 2 is a front view of the over the shelf basket;  
FIG. 3 is a left side view of the over the shelf basket, the opposite side view being a mirror image thereof;  
FIG. 4 is a rear view of the over the shelf basket;  
FIG. 5 is a top view of the over the shelf basket;  
FIG. 6 is a bottom view of the over the shelf basket; and  
FIG. 7 is a cross-sectional view of the wire used to form the main support band of the over the shelf basket; and,  
FIG. 8 is a perspective view of a second embodiment of the over the shelf basket, which is the same as the first embodiment except for the shape of the wire forming the main support band.

**1 Claim, 4 Drawing Sheets**



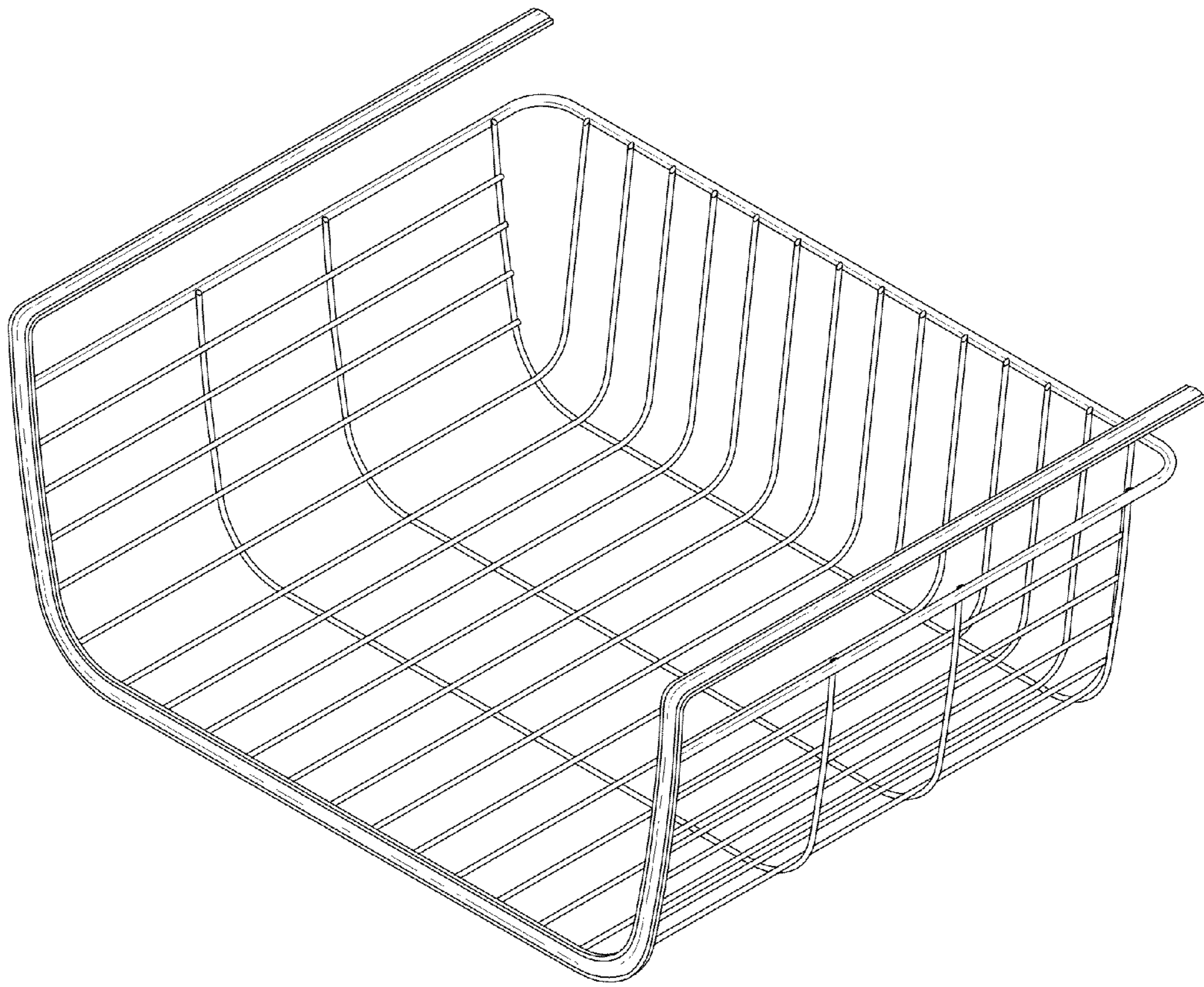


FIG 1

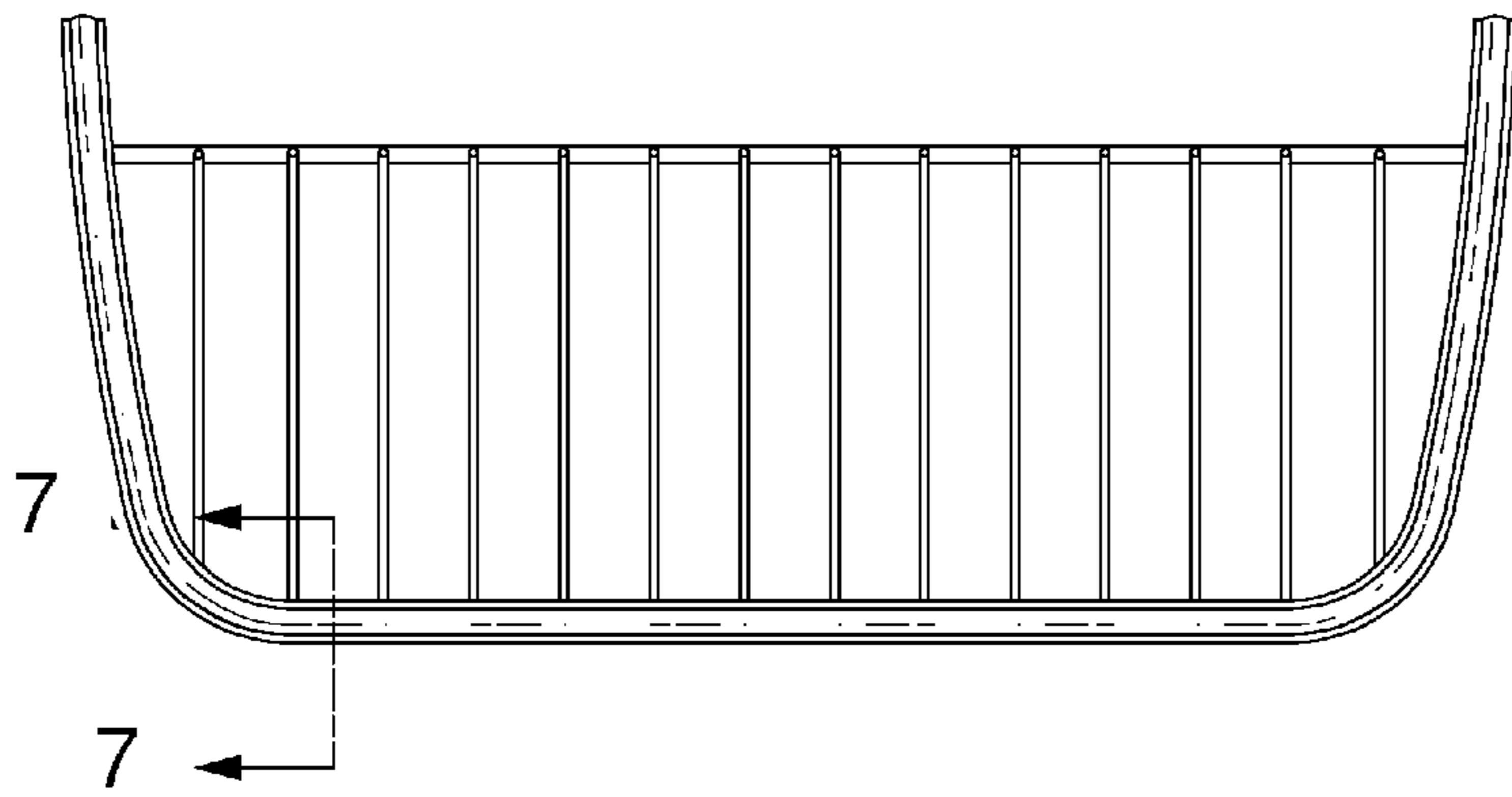


FIG 2

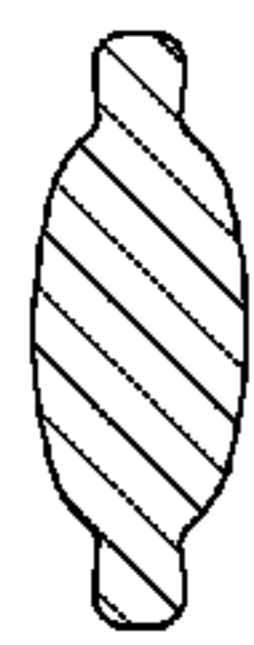


FIG 7

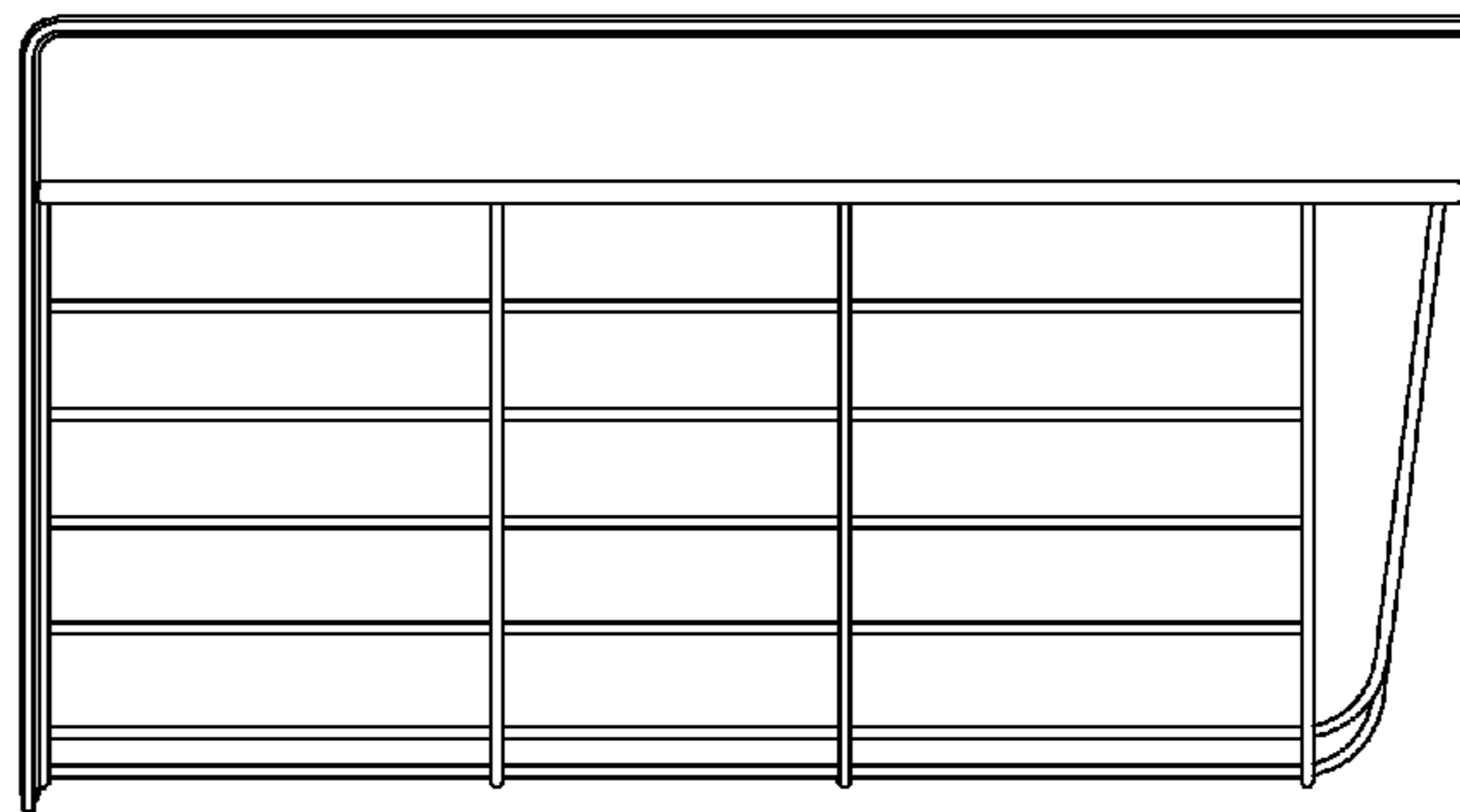


FIG 3

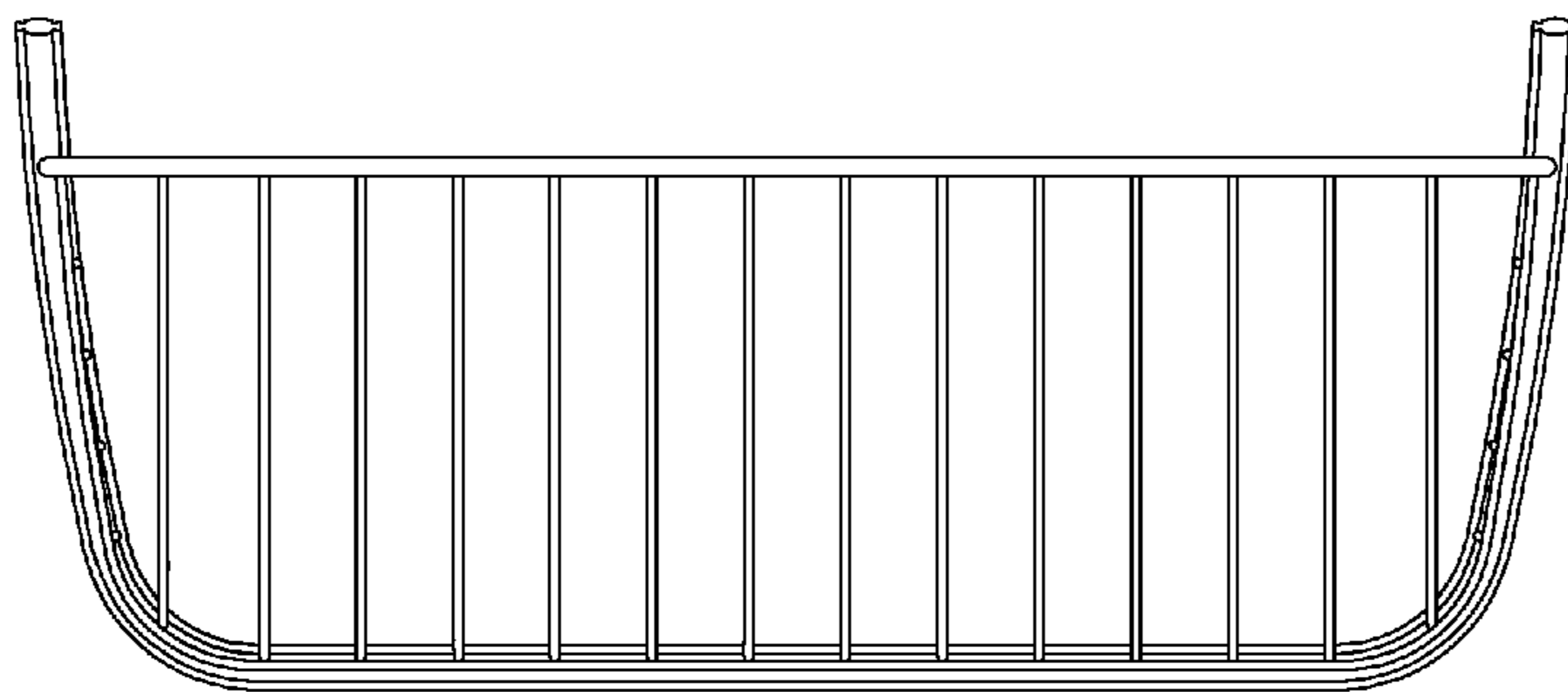


FIG 4



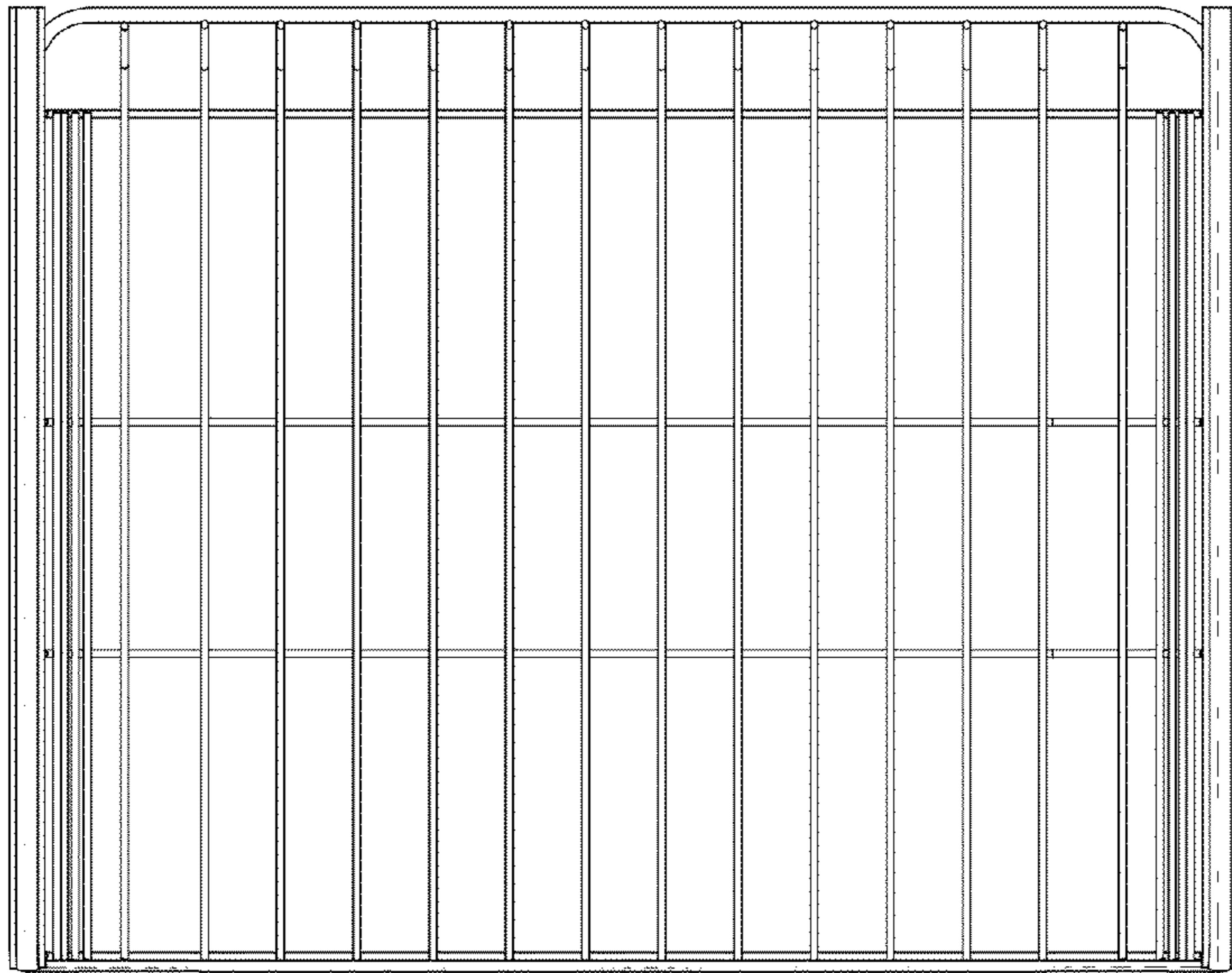


FIG 5

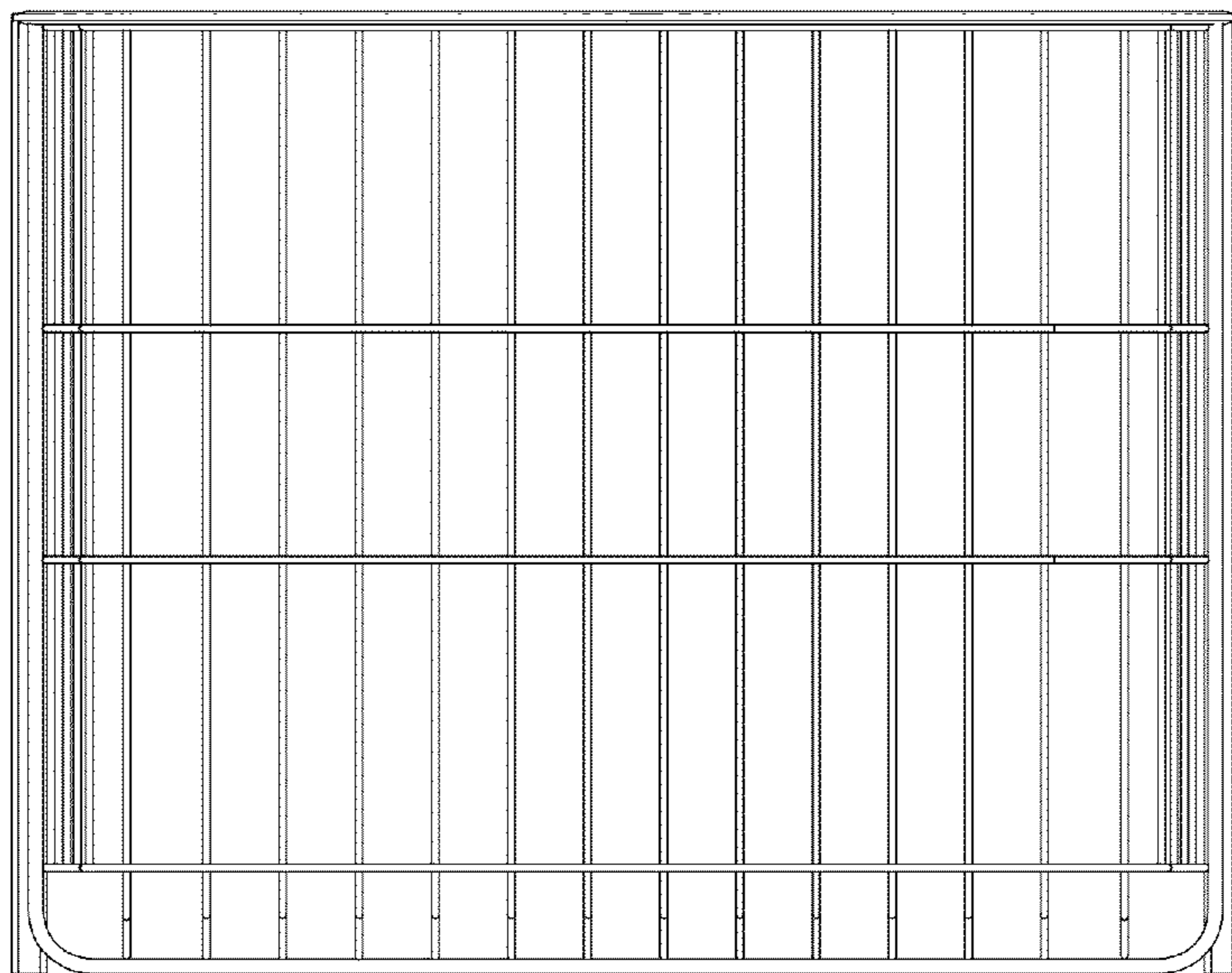


FIG 6

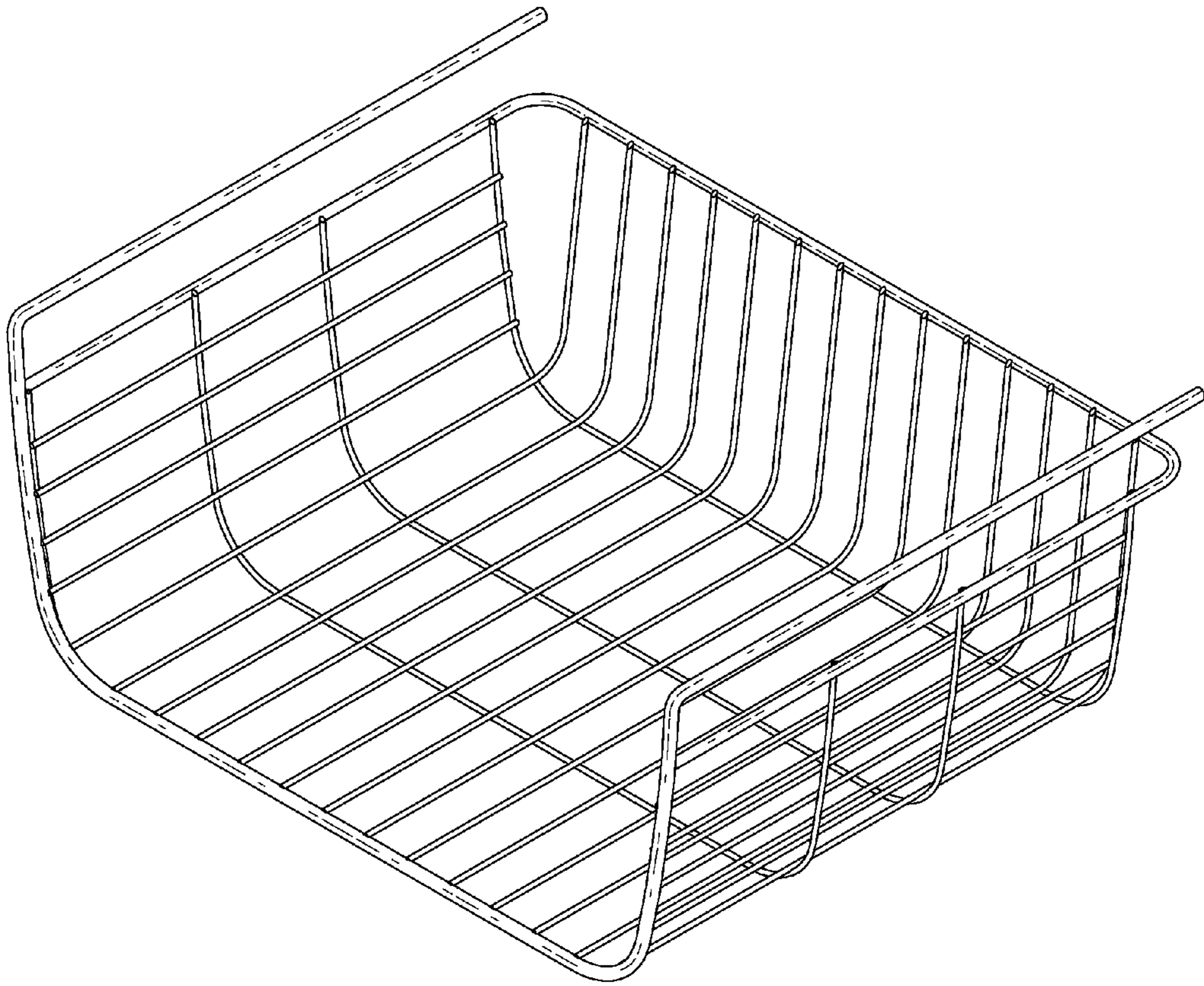


FIG 8