



US00D710122S

(12) **United States Design Patent**
Skalka et al.

(10) **Patent No.:** **US D710,122 S**
(45) **Date of Patent:** **** Aug. 5, 2014**

(54) **BENCH**

(71) Applicant: **Victor Stanley, Inc.**, Dunkirk, MD (US)

(72) Inventors: **Gerald Skalka**, Potomac, MD (US);
Bryan Slaughenhaupt, Deale, MD (US)

(73) Assignee: **Victor Stanley, Inc.**, Dunkirk, MD (US)

(**) Term: **14 Years**

(21) Appl. No.: **29/457,716**

(22) Filed: **Jun. 12, 2013**

(51) **LOC (10) Cl.** **06-01**

(52) **U.S. Cl.**
USPC **D6/370**

(58) **Field of Classification Search**

USPC D6/334-336, 355, 370-381, 388, 492,
D6/495, 500-502, 708, 708.16, 716,
D6/716.1-716.4, 717; 297/232-233,
297/283.1-283.2, 445.1, 446.1, 448.1,
297/452.63

See application file for complete search history.

(56) **References Cited**

U.S. PATENT DOCUMENTS

D165,952 S *	2/1952	Weatherly	D6/375
D263,353 S *	3/1982	Beals	D6/370
D365,937 S *	1/1996	Skalka	D6/370
D376,271 S	12/1996	Skalka		
D376,937 S	12/1996	Skalka		
D383,615 S	9/1997	Skalka		
D384,512 S	10/1997	Skalka		
D386,012 S	11/1997	Skalka		
D408,660 S *	4/1999	Donnelly	D6/500
D419,004 S *	1/2000	Collins	D6/492
D419,341 S *	1/2000	Chipman	D6/492

(Continued)

OTHER PUBLICATIONS

PRS-10 Production Series™, Contoured Wood Slat Bench, Victor Stanley, Inc. (2009).

(Continued)

Primary Examiner — Ricky Pham

(74) *Attorney, Agent, or Firm* — Westerman, Hattori, Daniels & Adrian, LLP

(57) **CLAIM**

The ornamental design for a bench, as shown and described.

DESCRIPTION

FIG. 1 is an isometric view of a bench showing a first embodiment of my new design.

FIG. 2 is a left side elevational view of the bench of FIG. 1, the right side elevational view being a mirror image thereof.

FIG. 3 is a front elevational view of the bench of FIG. 1.

FIG. 4 is a bottom plan view of the bench of FIG. 1.

FIG. 5 is a top plan view of the bench of FIG. 1.

FIG. 6 is a back elevational view of the bench of FIG. 1.

FIG. 7 is an isometric view of a bench showing a second embodiment of my new design.

FIG. 8 is a left side elevational view of the bench of FIG. 7, the right side elevational view being a mirror image thereof.

FIG. 9 is a front elevational view of the bench of FIG. 7.

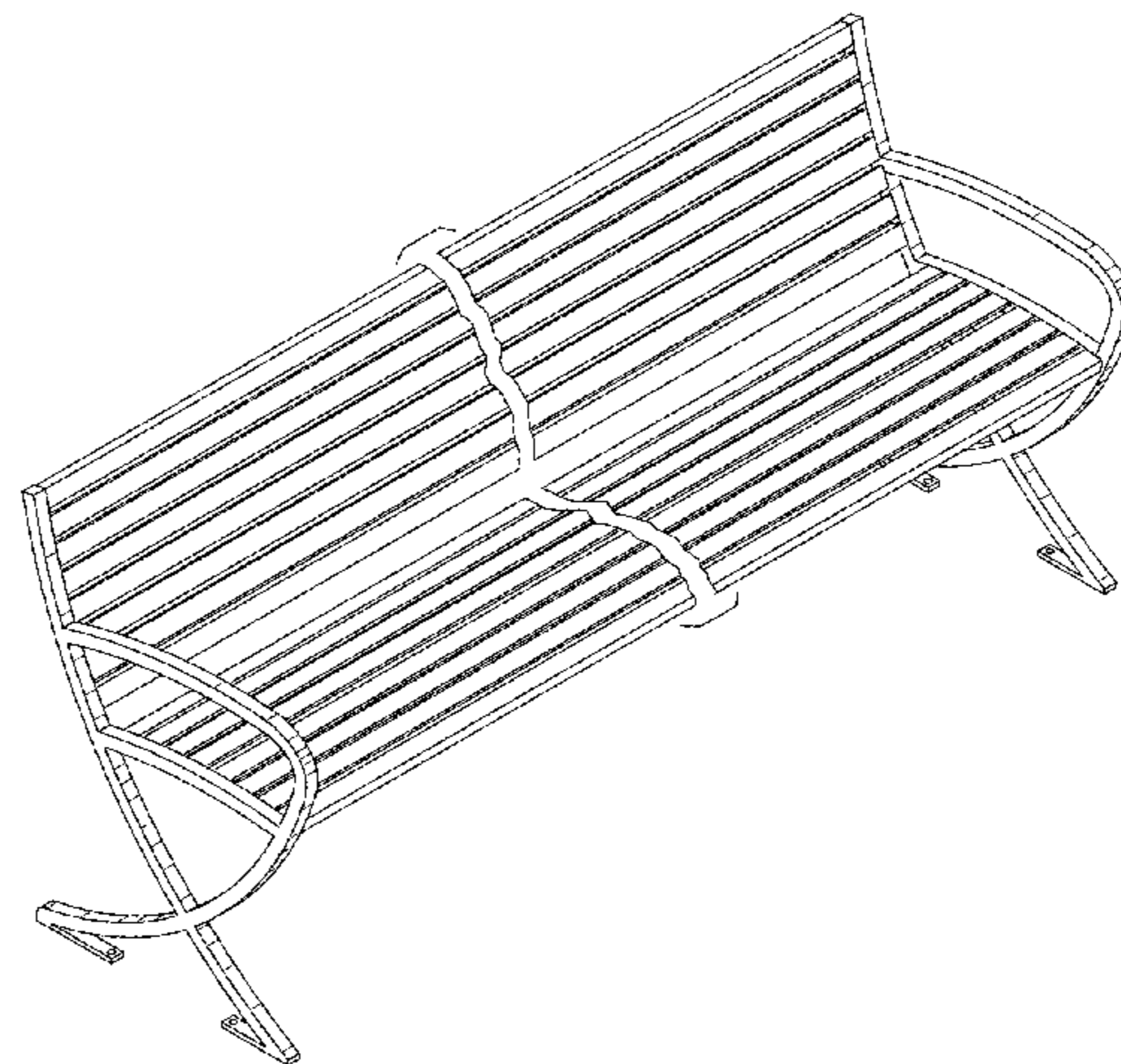
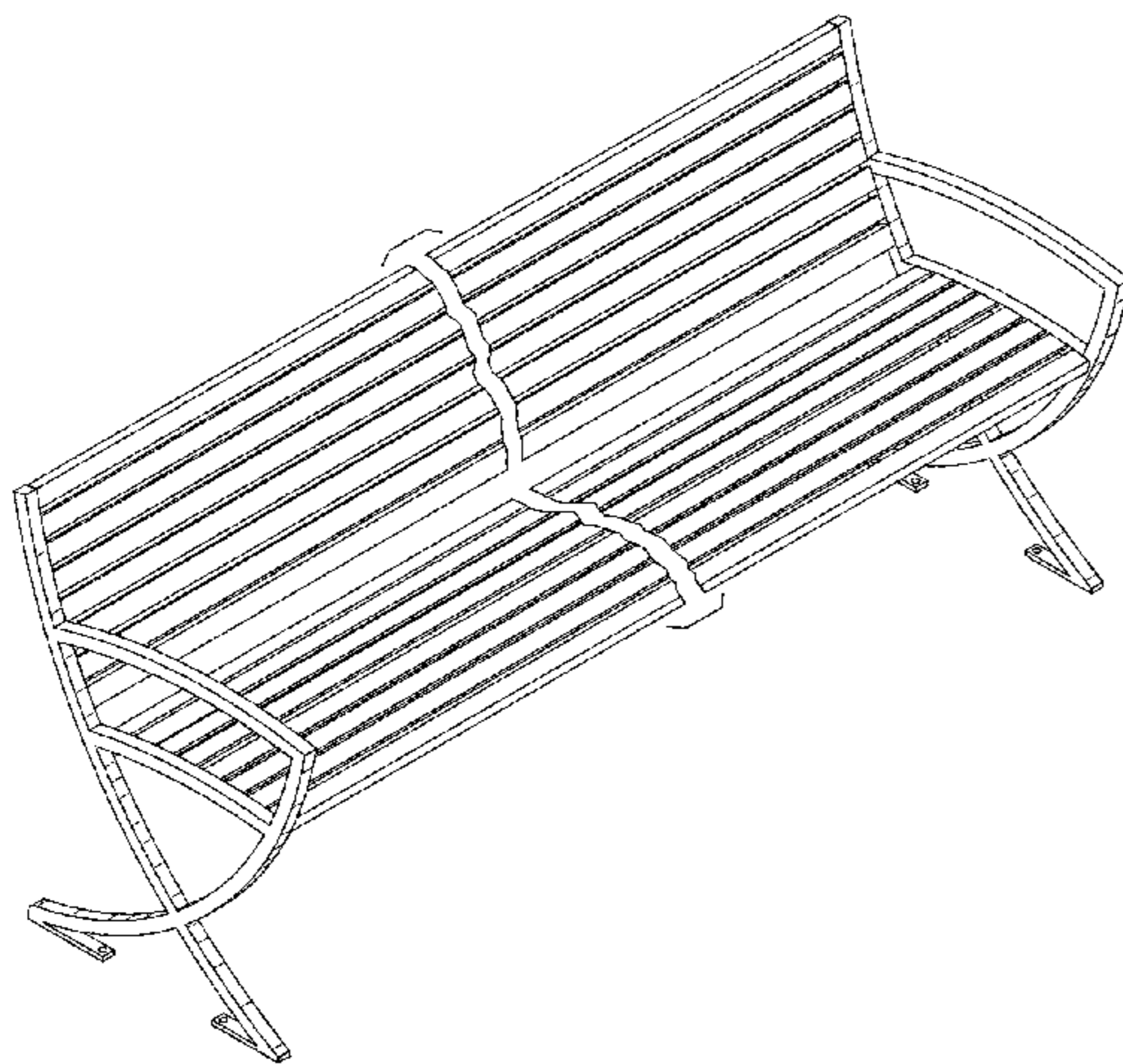
FIG. 10 is a bottom plan view of the bench of FIG. 7.

FIG. 11 is a top plan view of the bench of FIG. 7; and,

FIG. 12 is a back elevational view of the bench of FIG. 7.

The slats of the bench are shown broken-away in FIGS. 1, 3-6, 7, and 9-12, to indicate that a specific length forms no part of the claimed design.

1 Claim, 6 Drawing Sheets



(56)

References Cited

U.S. PATENT DOCUMENTS

D450,498 S * 11/2001 Skalka D6/500
 D457,742 S * 5/2002 Arnold D6/370
 D458,475 S * 6/2002 Hecht et al. D6/492
 D467,101 S * 12/2002 Hughes D6/495
 D468,550 S * 1/2003 Pappas D6/381
 D473,063 S * 4/2003 Pappas D6/381
 D473,391 S * 4/2003 Haney et al. D6/370
 D486,004 S * 2/2004 Haney et al. D6/379
 D486,664 S * 2/2004 Pappas D6/381
 D498,079 S * 11/2004 Messier D6/381
 D509,675 S * 9/2005 Reza-Hadden D6/381
 D512,229 S * 12/2005 Reza-Hadden D6/355
 D513,893 S * 1/2006 Reza-Hadden D6/355
 D522,281 S * 6/2006 Schiefer et al. D6/495
 D522,282 S * 6/2006 Schiefer et al. D6/495
 D522,775 S 6/2006 Skalka
 D523,263 S 6/2006 Skalka
 D525,809 S * 8/2006 Hughes D6/492
 D526,514 S * 8/2006 Hughes D6/492
 D526,518 S * 8/2006 Schiefer et al. D6/501
 D526,805 S * 8/2006 Skalka D6/381
 D528,831 S * 9/2006 Rizzi D6/500
 D530,535 S 10/2006 Skalka

D532,620 S 11/2006 Skalka
 D562,034 S * 2/2008 Pappas D6/495
 D563,689 S 3/2008 Skalka
 D572,048 S * 7/2008 Weimer et al. D6/492
 D572,947 S * 7/2008 Weimer et al. D6/492
 D578,808 S * 10/2008 Pappas D6/495
 D579,227 S * 10/2008 Skalka D6/381
 D579,685 S * 11/2008 Skalka D6/381
 D585,210 S * 1/2009 Rizzi D6/381
 D590,621 S * 4/2009 Pappas D6/381
 D601,823 S 10/2009 Skalka
 D607,229 S 1/2010 Skalka
 D609,933 S 2/2010 Skalka
 D629,233 S * 12/2010 Slear et al. D6/492
 D629,234 S * 12/2010 Marousek D6/492
 D632,104 S * 2/2011 Marousek D6/492
 D689,293 S * 9/2013 Watton D6/370
 D689,320 S * 9/2013 Watton D6/717

OTHER PUBLICATIONS

“C-12 City Sites Series,” Victor Stanley, Inc. (May 2011).
 “City Sites Series C-18,” Victor Stanley, Inc. (2002).
 “FR-7 Goblet Series,” Victor Stanley, Inc. (Feb. 2005).

* cited by examiner

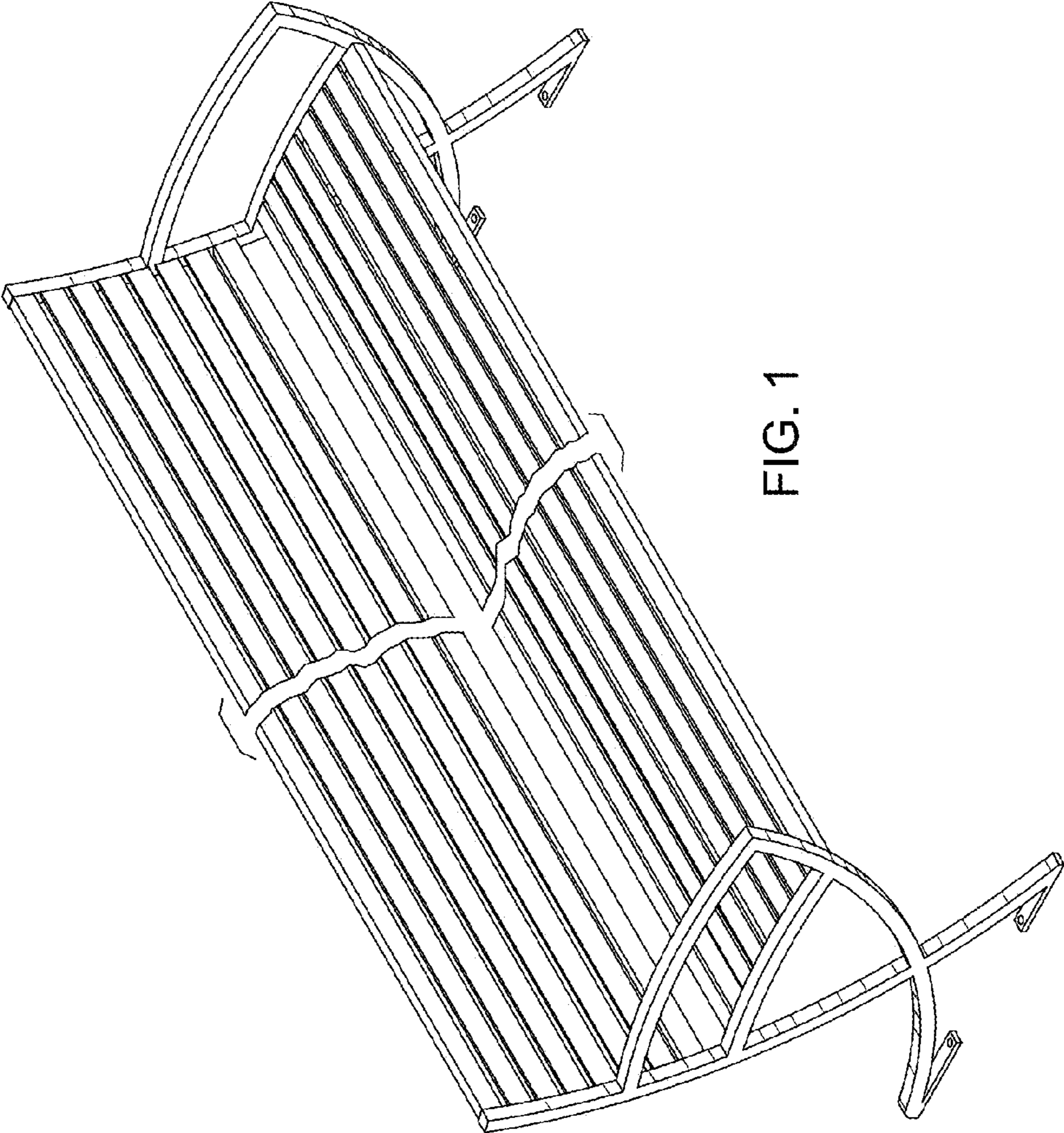


FIG. 1

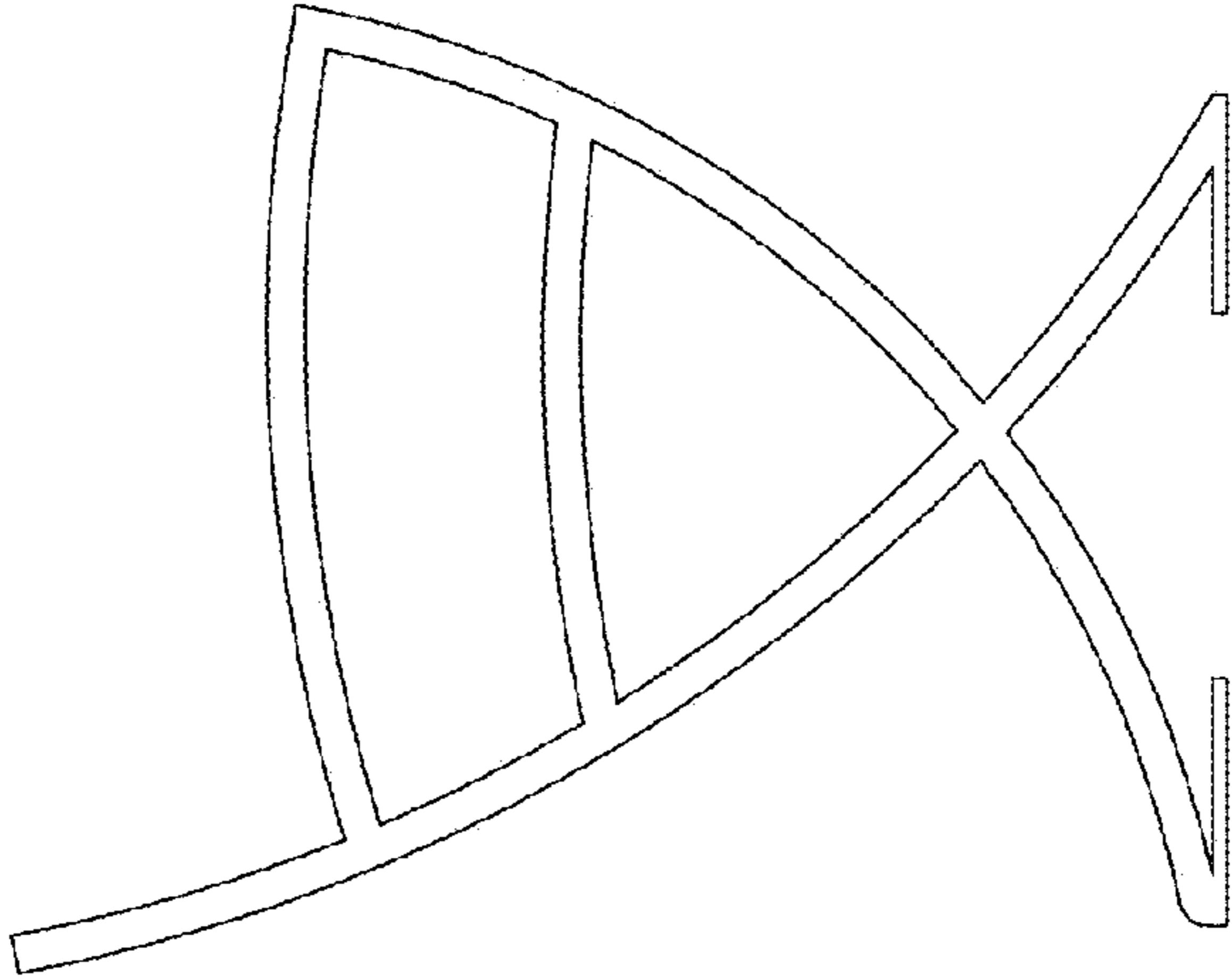


FIG. 2

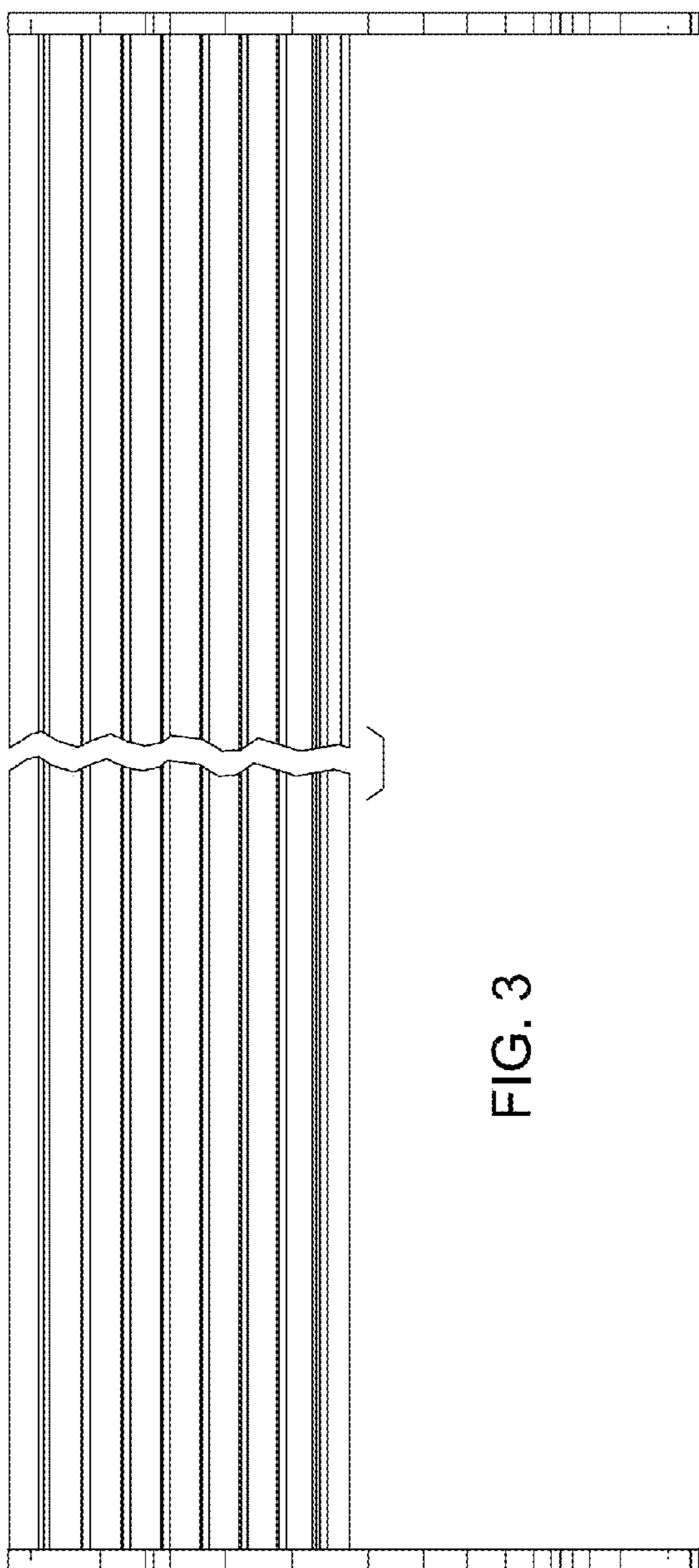


FIG. 3

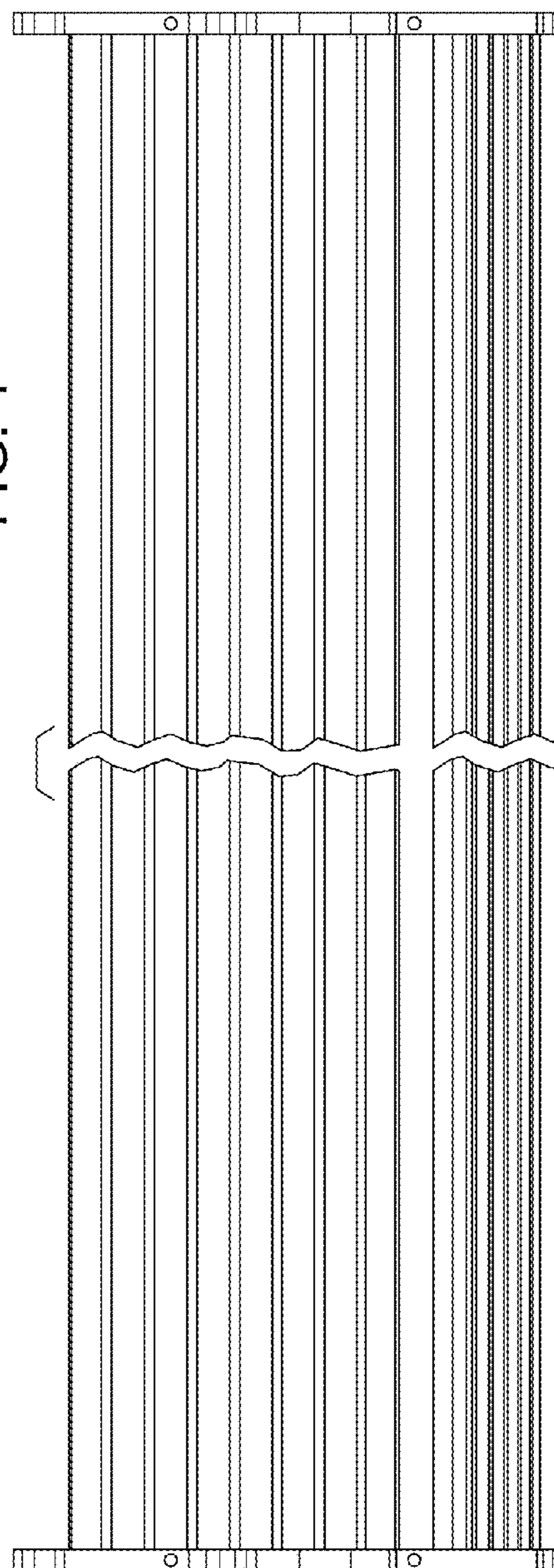


FIG. 4

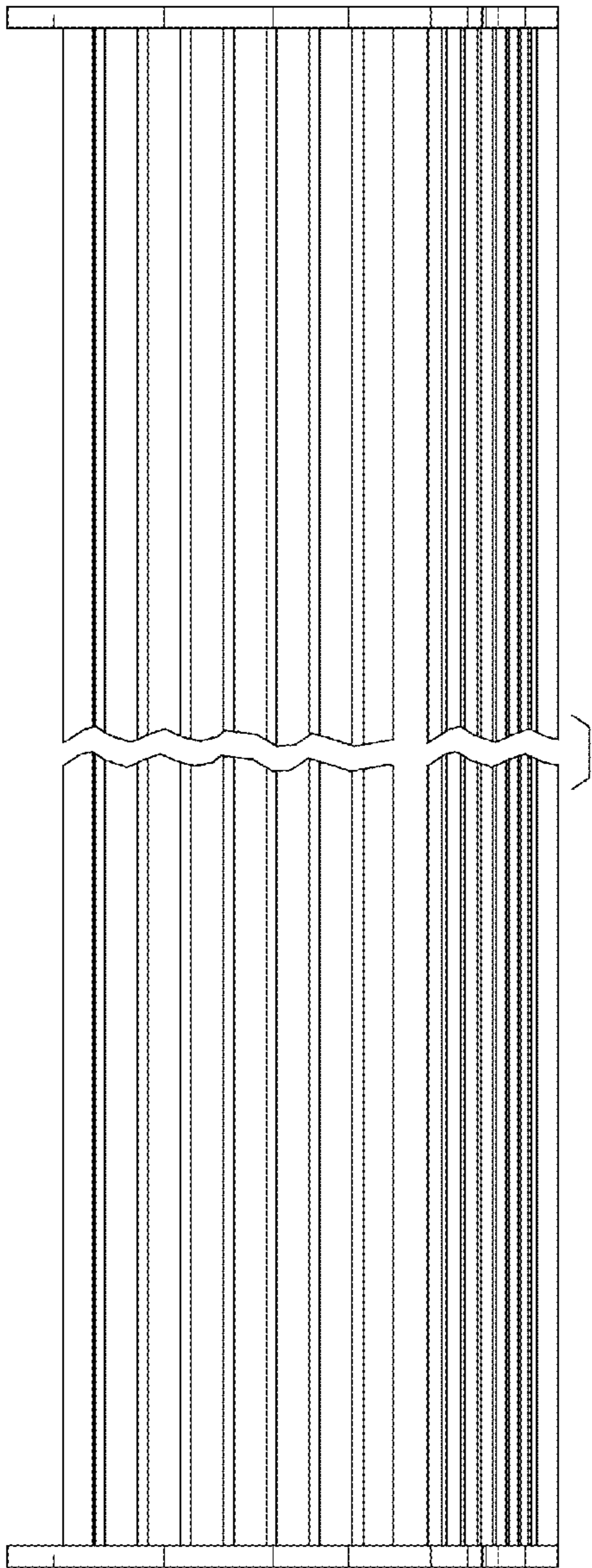


FIG. 5

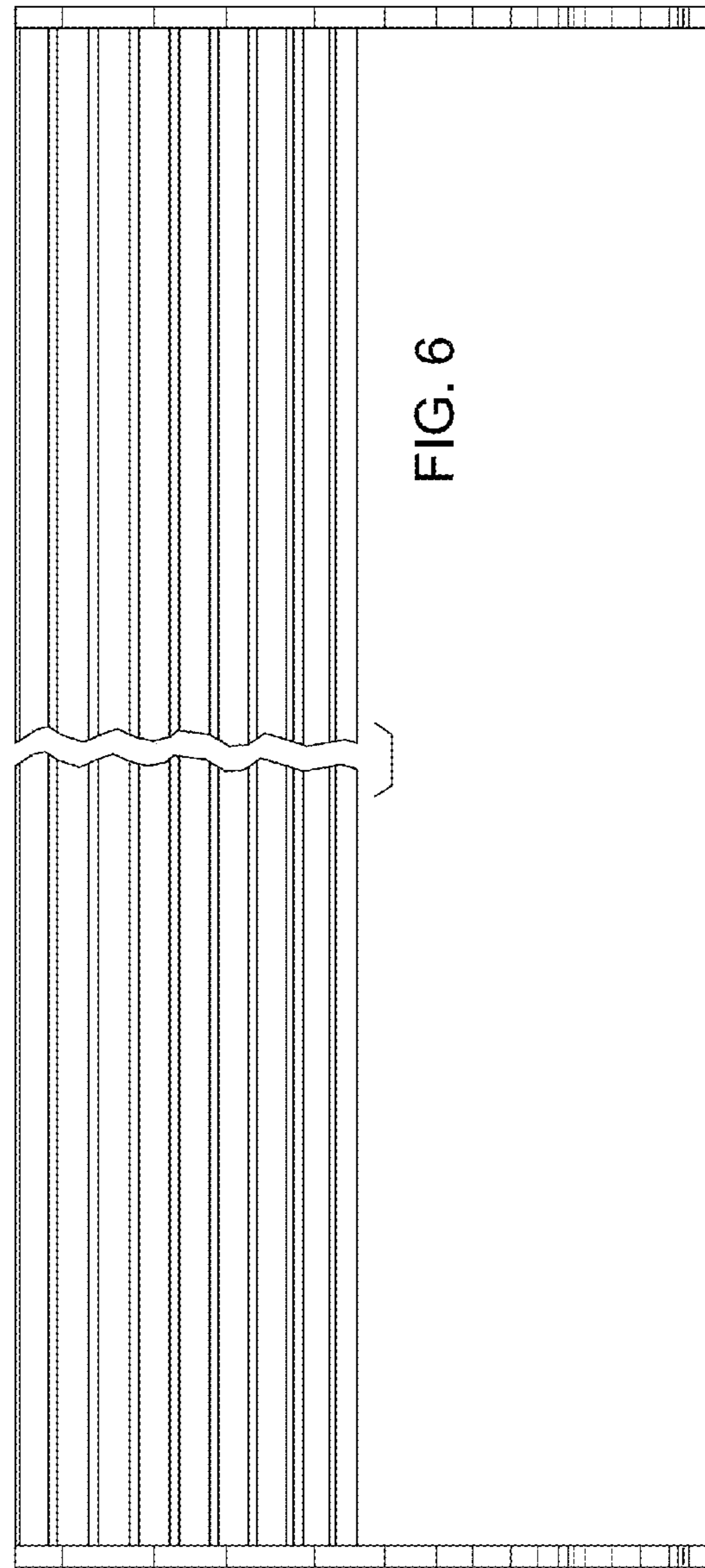
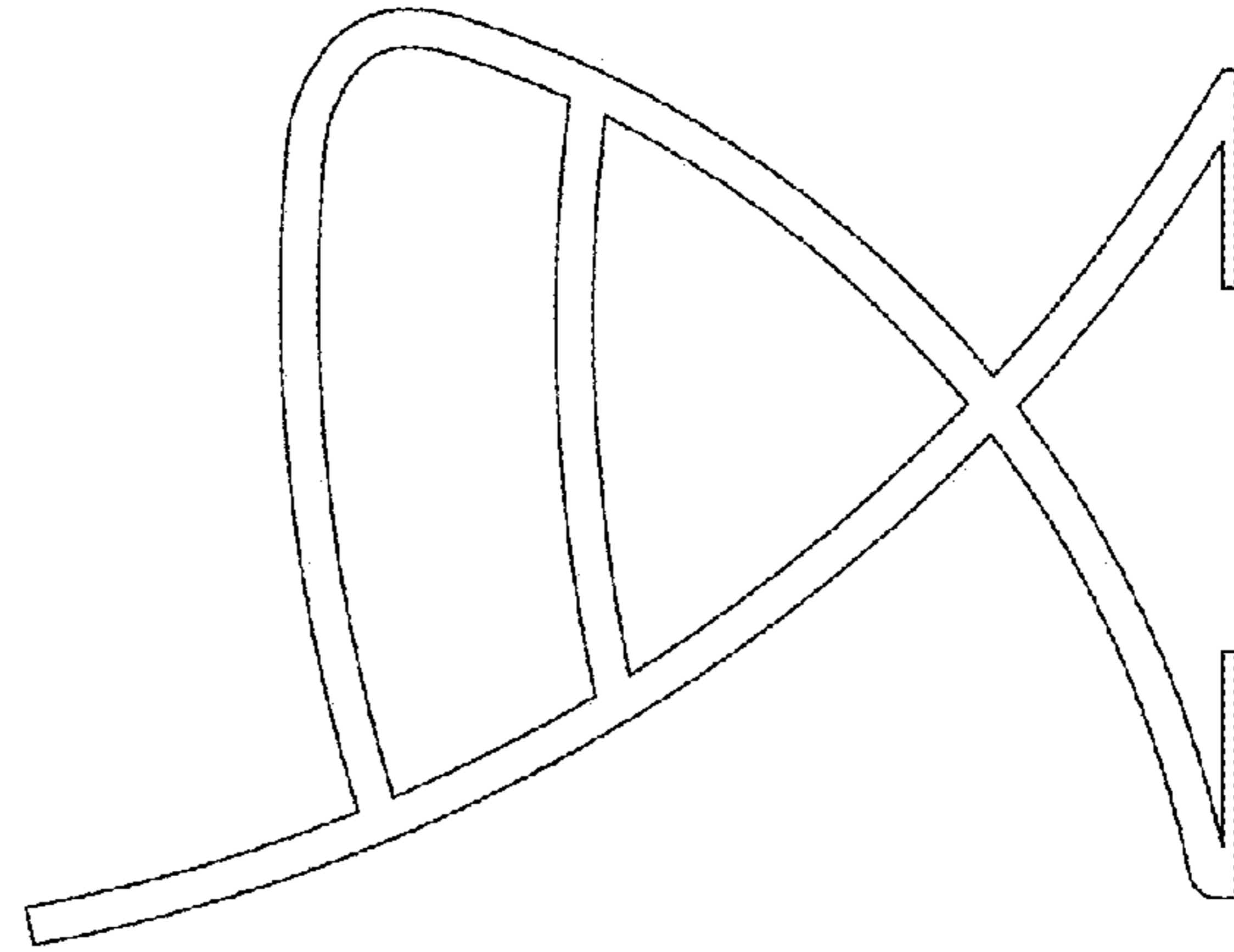
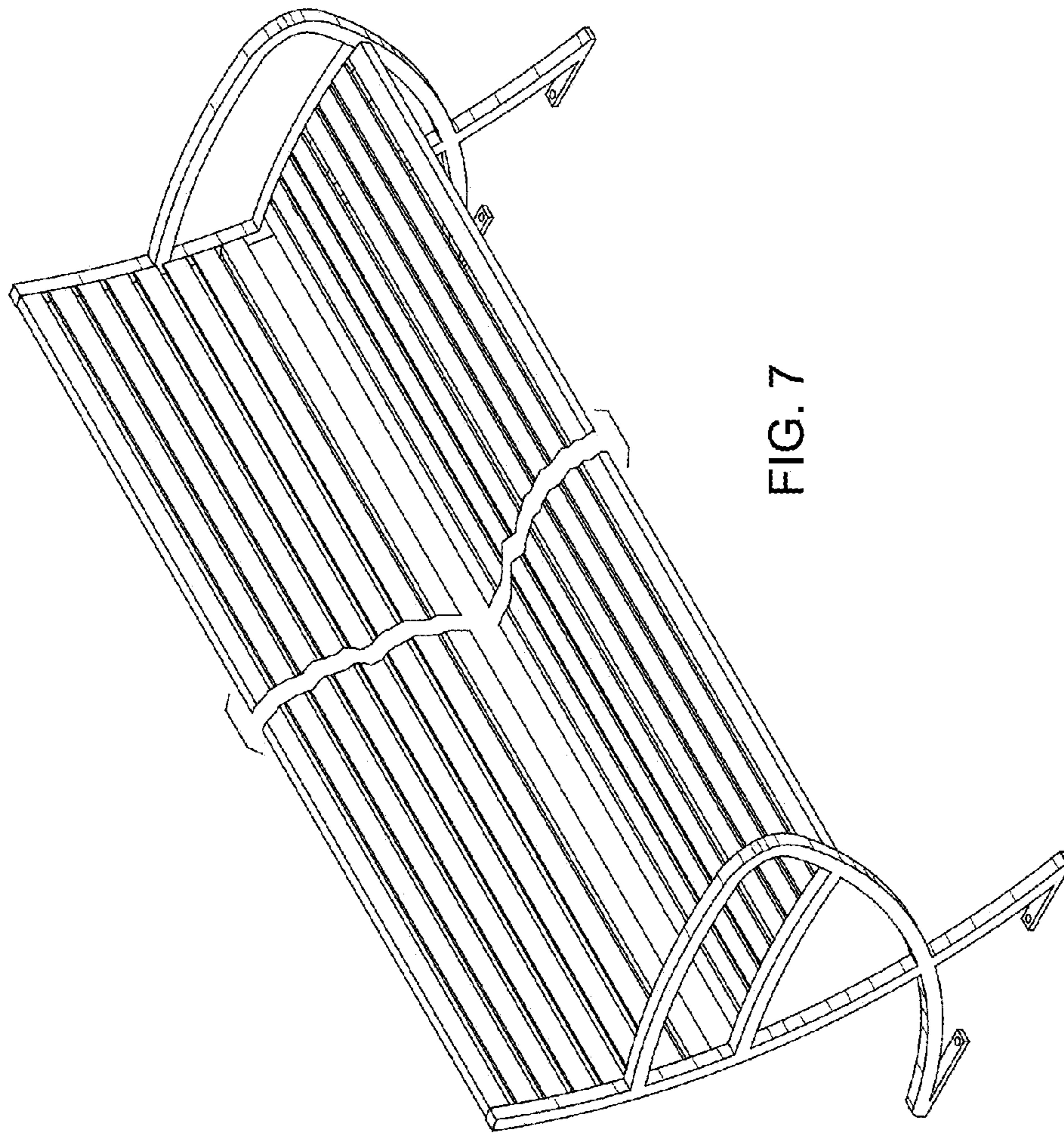


FIG. 6



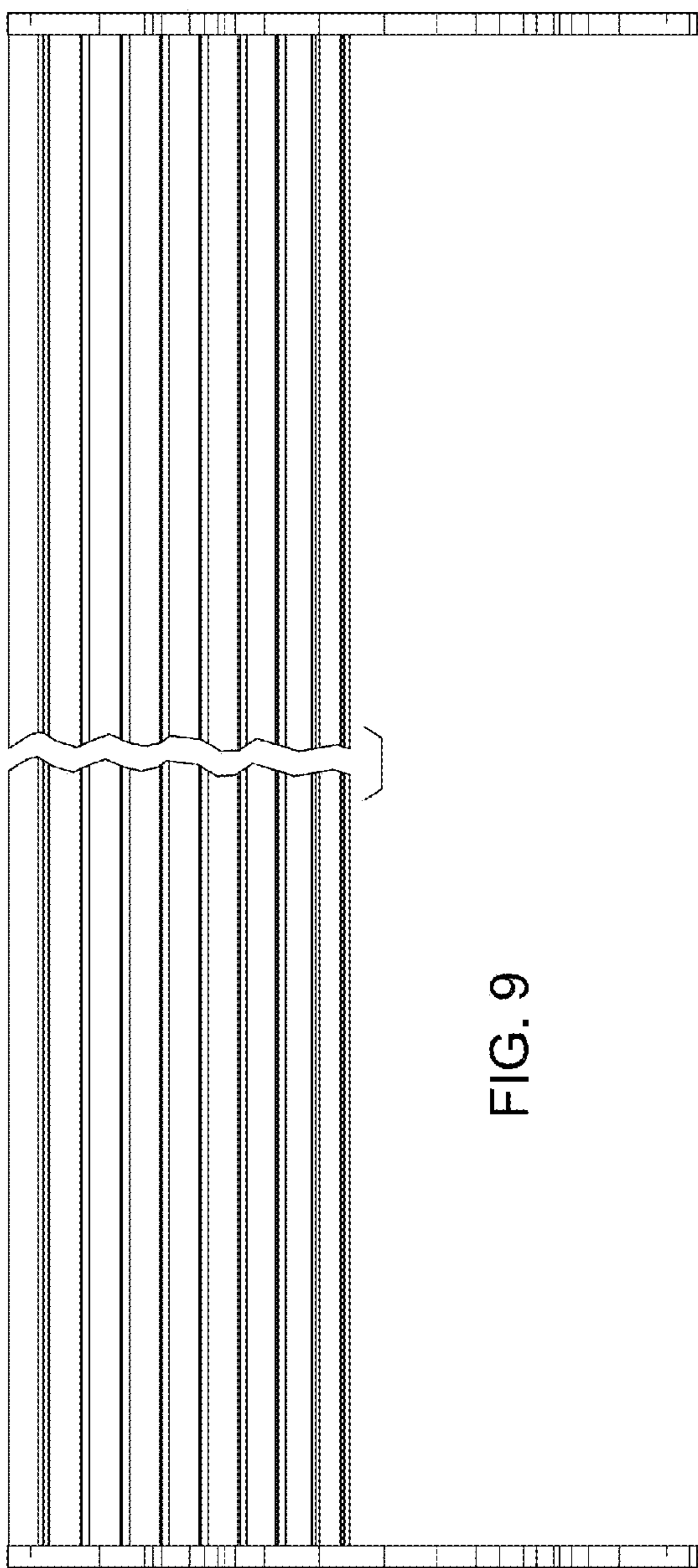


FIG. 9

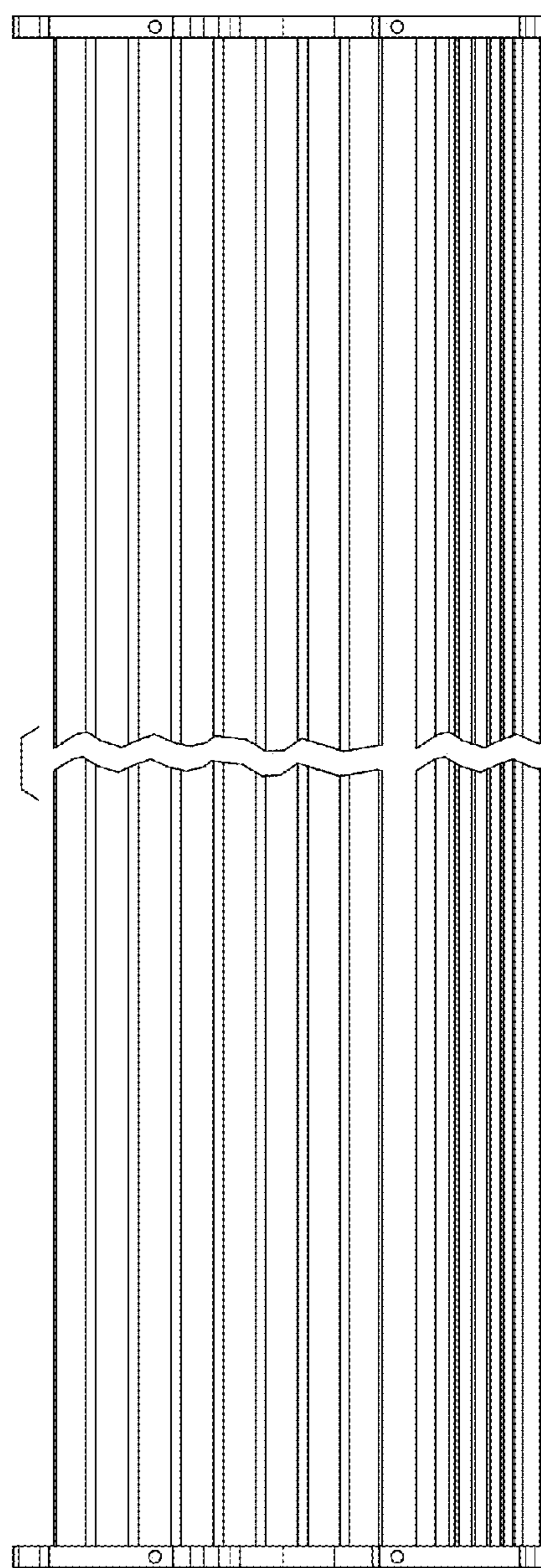


FIG. 10

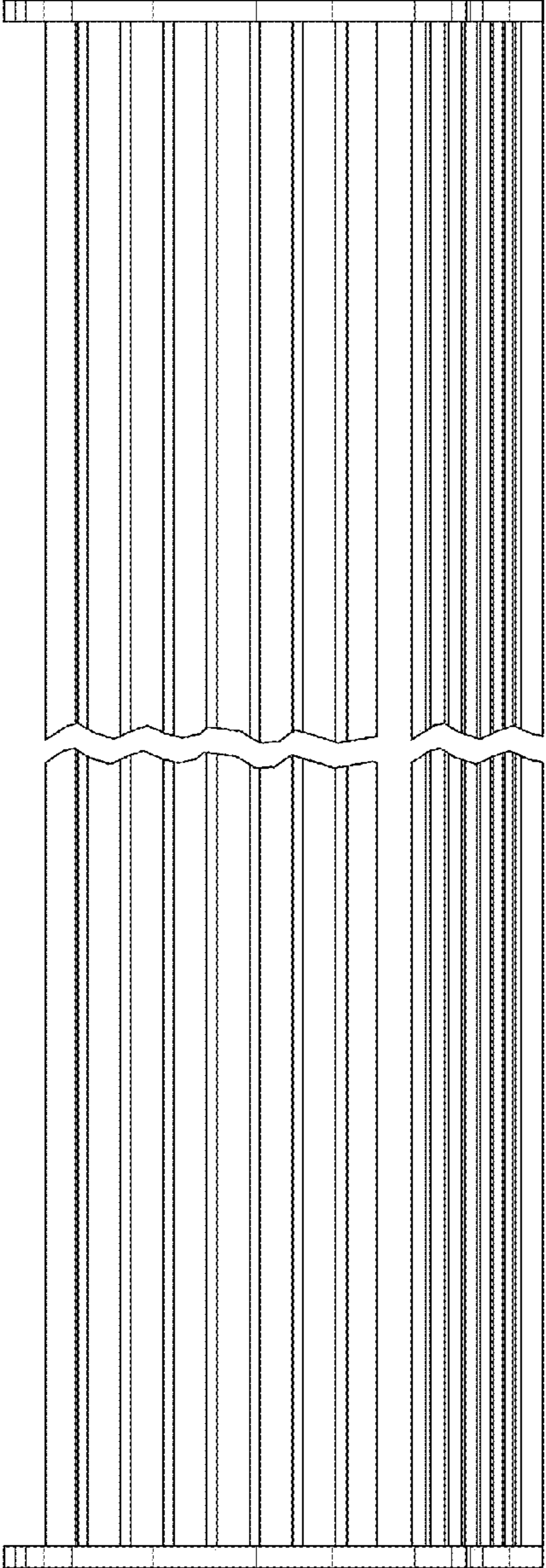


FIG. 11

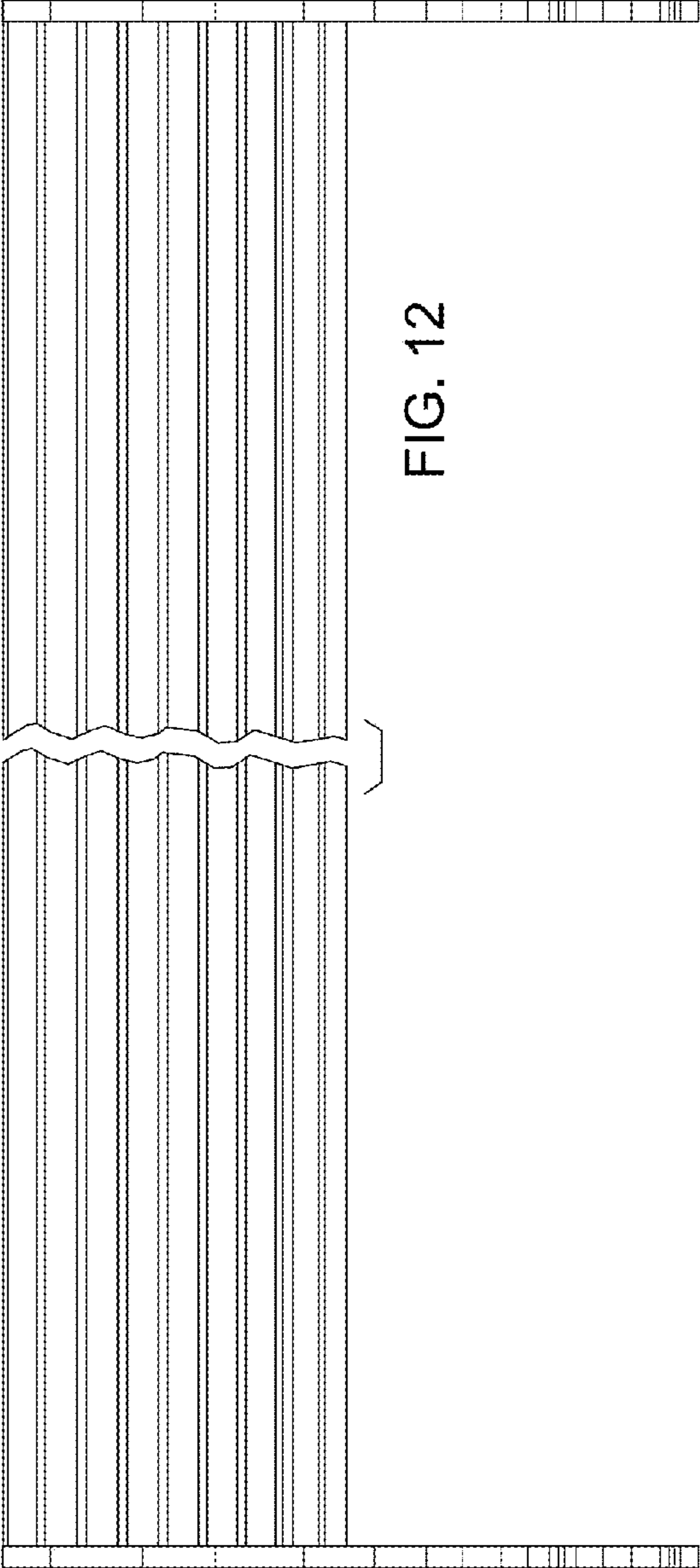


FIG. 12