



US00D710121S

(12) **United States Design Patent**
Citterio

(10) **Patent No.:** **US D710,121 S**

(45) **Date of Patent:** **** Aug. 5, 2014**

(54) **CHAIR**

(71) Applicant: **B&B Italia S.p.A.**, Milan (IT)

(72) Inventor: **Antonio Citterio**, Milan (IT)

(73) Assignee: **B&B Italia S.p.A.**, Milan (IT)

(**) Term: **14 Years**

(21) Appl. No.: **29/469,299**

(22) Filed: **Oct. 9, 2013**

(30) **Foreign Application Priority Data**

Apr. 9, 2013 (IT) MI2013O0091

(51) **LOC (10) Cl.** **06-01**

(52) **U.S. Cl.**
USPC **D6/368**

(58) **Field of Classification Search**

USPC D6/334–336, 344–356, 360–381, 388,
D6/403, 491–502, 692, 708, 716,
D6/716.2–716.4, 717; 297/16.1, 22, 31,
297/35, 135, 217.1, 228.12, 248, 256.16,
297/271.6, 284.4–284.5, 291, 297, 302.4,
297/411.2, 411.27–411.29, 411.43, 423.1,
297/423.12, 440.11, 440.15,
297/440.21–440.24, 448.1, 451.4, 452.13,
297/452.19, 452.21, 452.27, 452.29, 452.3,
297/452.41, 452.56, 452.64

See application file for complete search history.

(56) **References Cited**

U.S. PATENT DOCUMENTS

D213,439 S *	3/1969	Koch	D6/375
D236,049 S *	7/1975	Tacke	D6/373
D241,487 S *	9/1976	Gibilterra	D6/369
D244,162 S *	5/1977	Lubke	D6/373
D506,324 S *	6/2005	Milinov et al.	D6/335
D564,770 S *	3/2008	Alter Molina et al.	D6/371
D569,644 S *	5/2008	Kumazawa	D6/372
D606,329 S *	12/2009	Van Duysen	D6/375
D609,488 S *	2/2010	Kumazawa	D6/373
D618,004 S *	6/2010	DeSanta et al.	D6/366
D648,150 S *	11/2011	Kumazawa	D6/373
D648,157 S *	11/2011	McCurry	D6/495
D682,573 S *	5/2013	Versace	D6/373

* cited by examiner

Primary Examiner — Ricky Pham

(74) *Attorney, Agent, or Firm* — Thomas|Horstemeyer, LLP

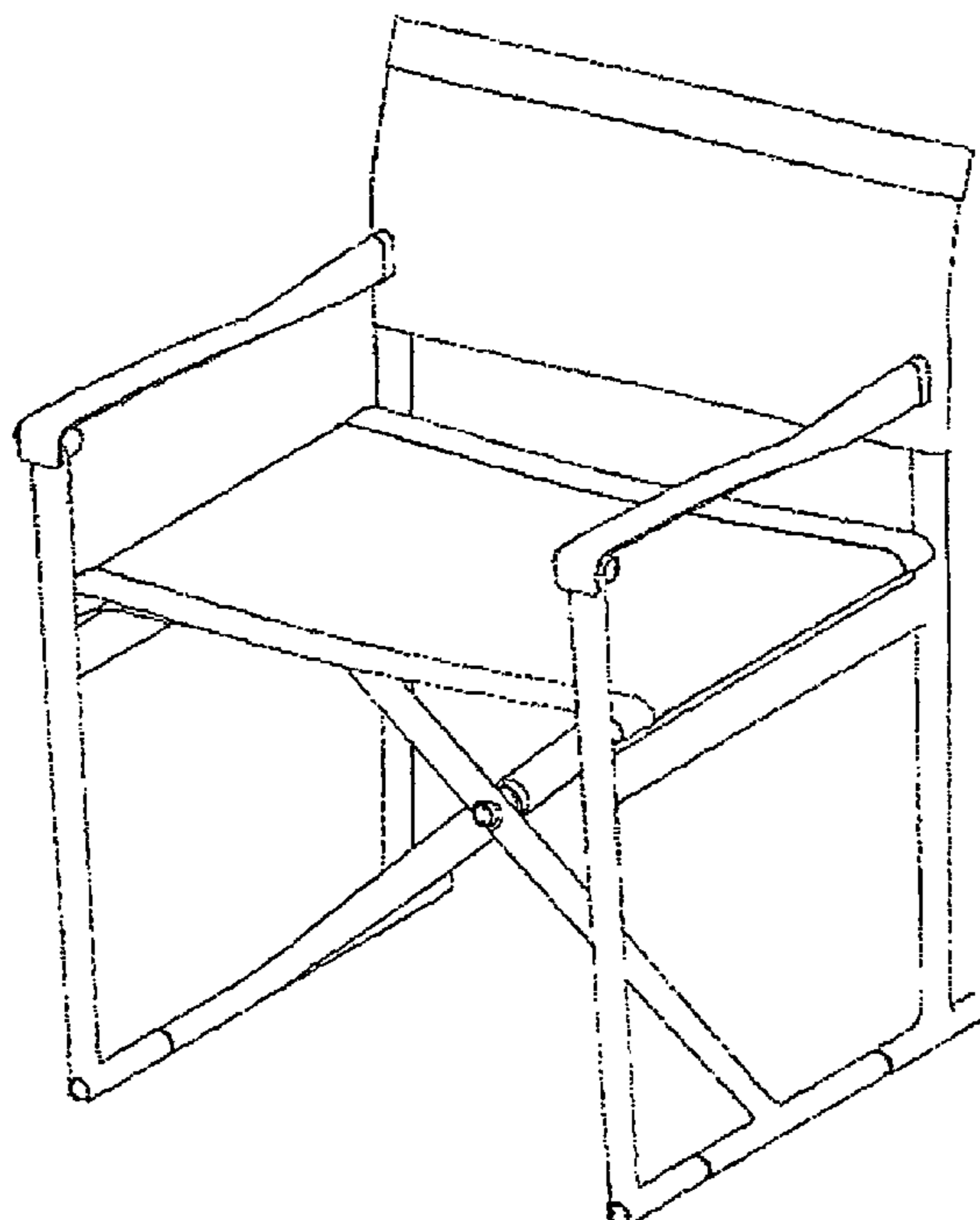
(57) **CLAIM**

The ornamental design for a chair, as shown and described.

DESCRIPTION

FIG. 1 is a front perspective view of my new chair;
FIG. 2 is a bottom perspective view of my new chair of FIG. 1;
FIG. 3 is a front elevational view of my new chair;
FIG. 4 is a rear elevational view of my new chair, opposite that of FIG. 3;
FIG. 5 is a side elevational view of my new chair;
FIG. 6 is another side elevational view of my new chair from a side opposite that of FIG. 5;
FIG. 7 is a top view of my new chair; and,
FIG. 8 is a bottom view of my new chair.

1 Claim, 5 Drawing Sheets



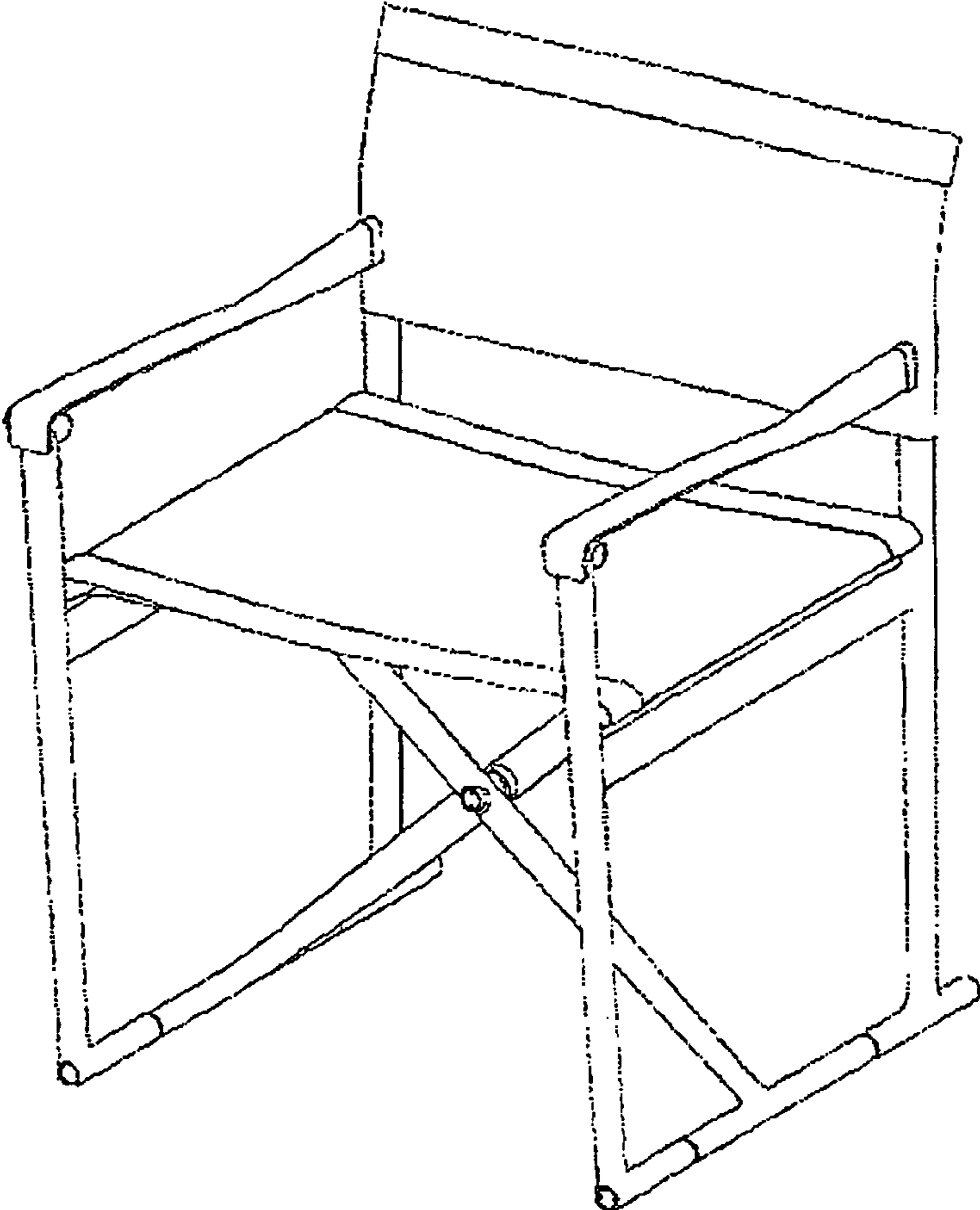


FIG. 1

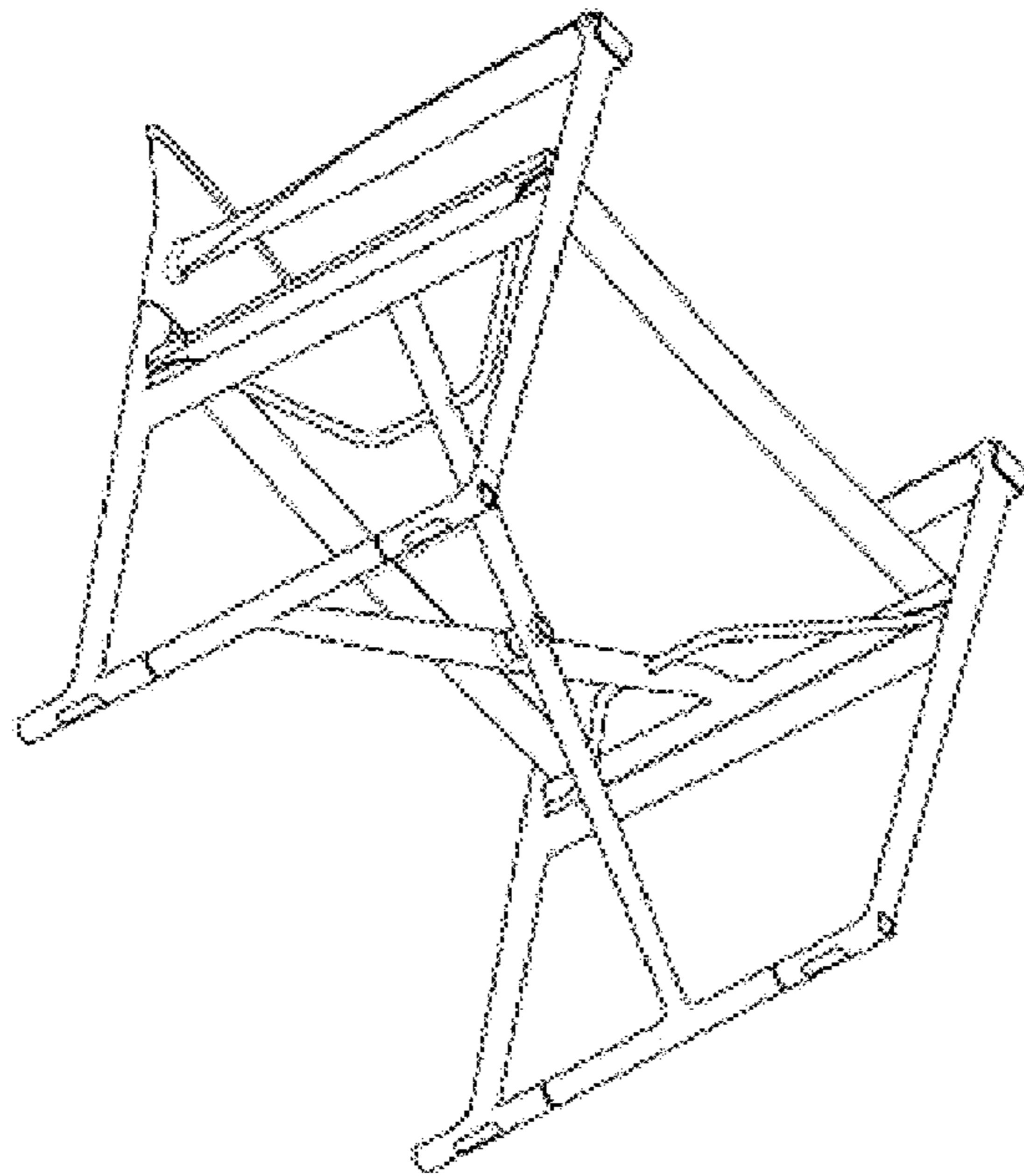


FIG. 2

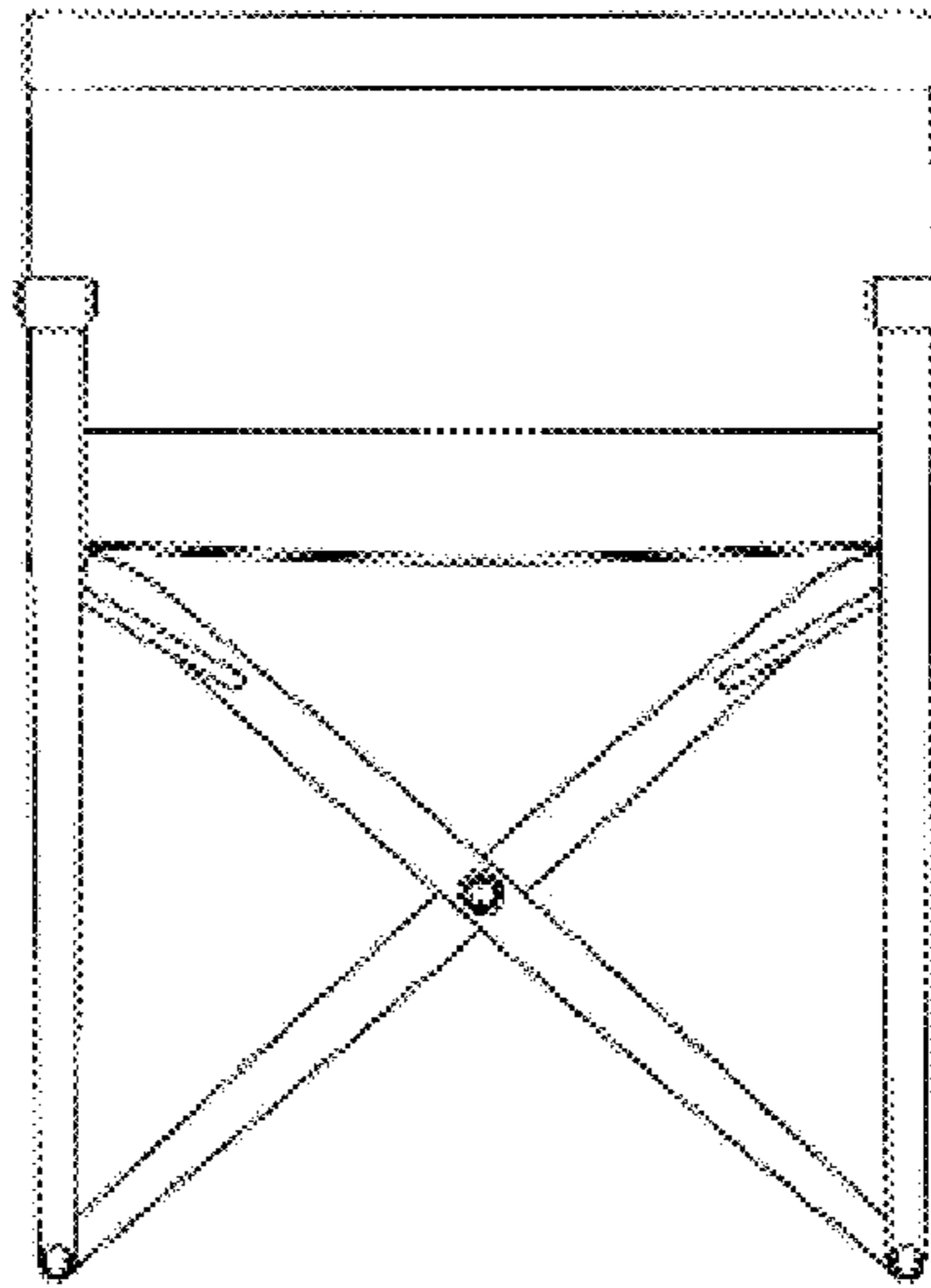


FIG. 3

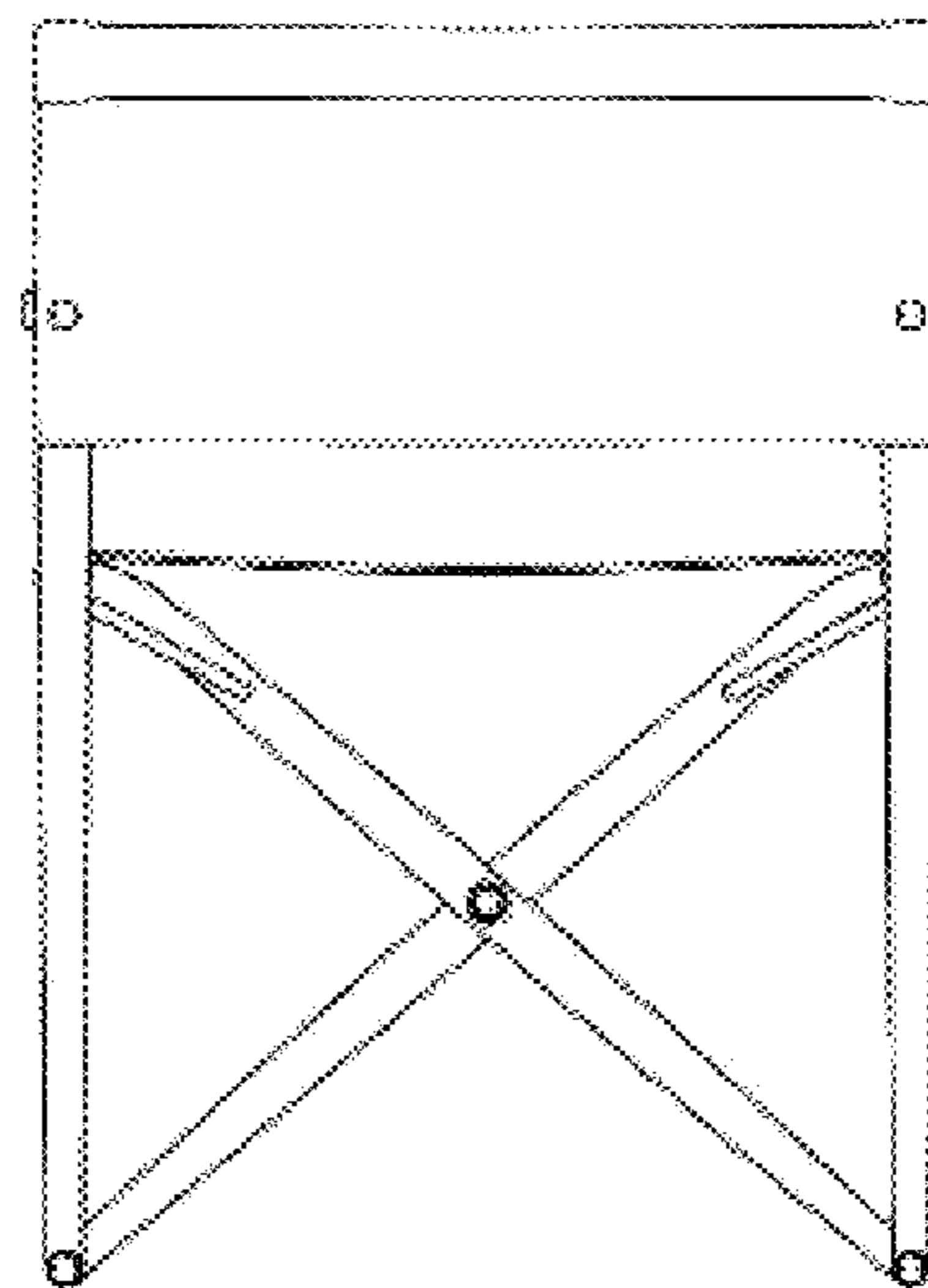


FIG. 4

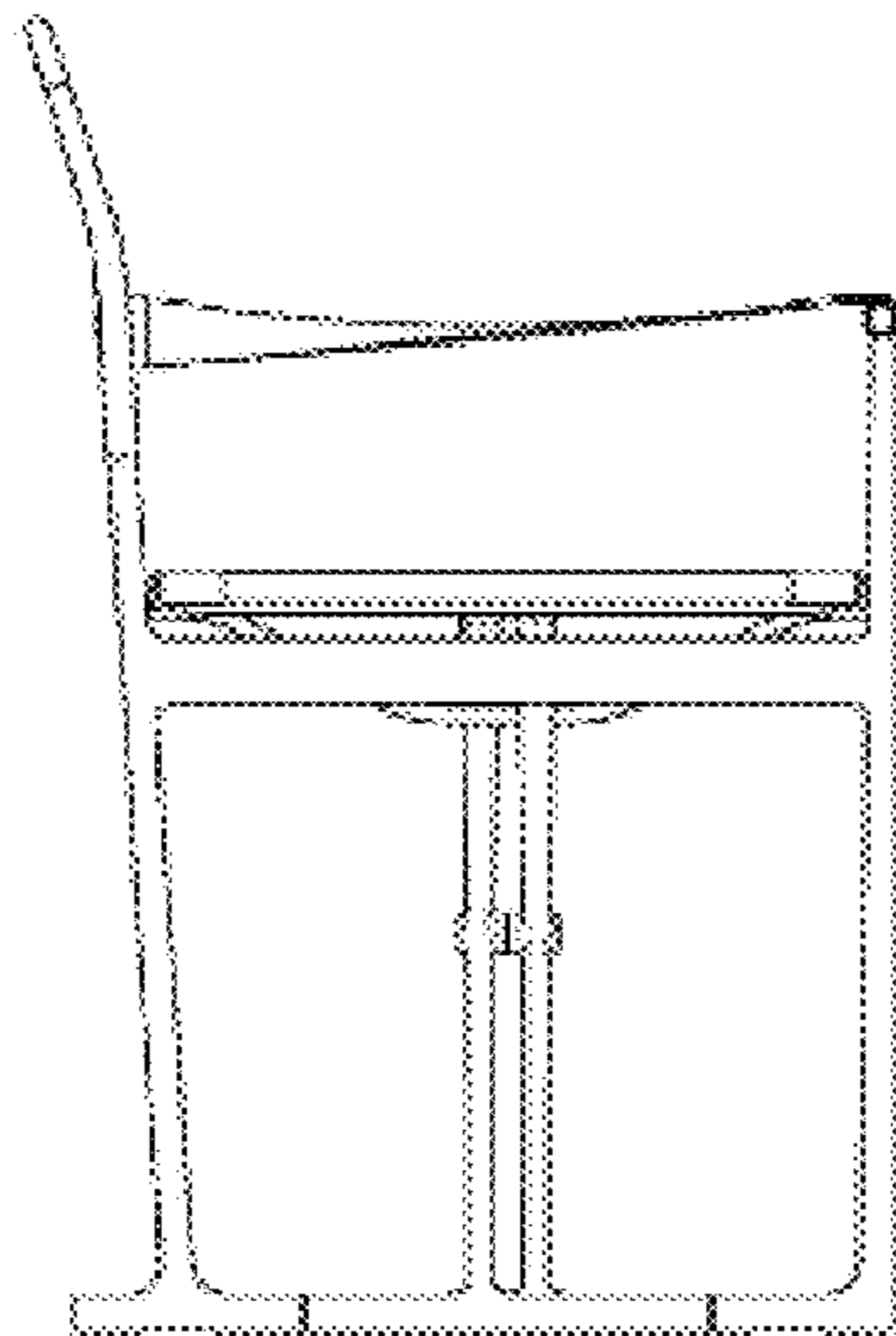


FIG. 5

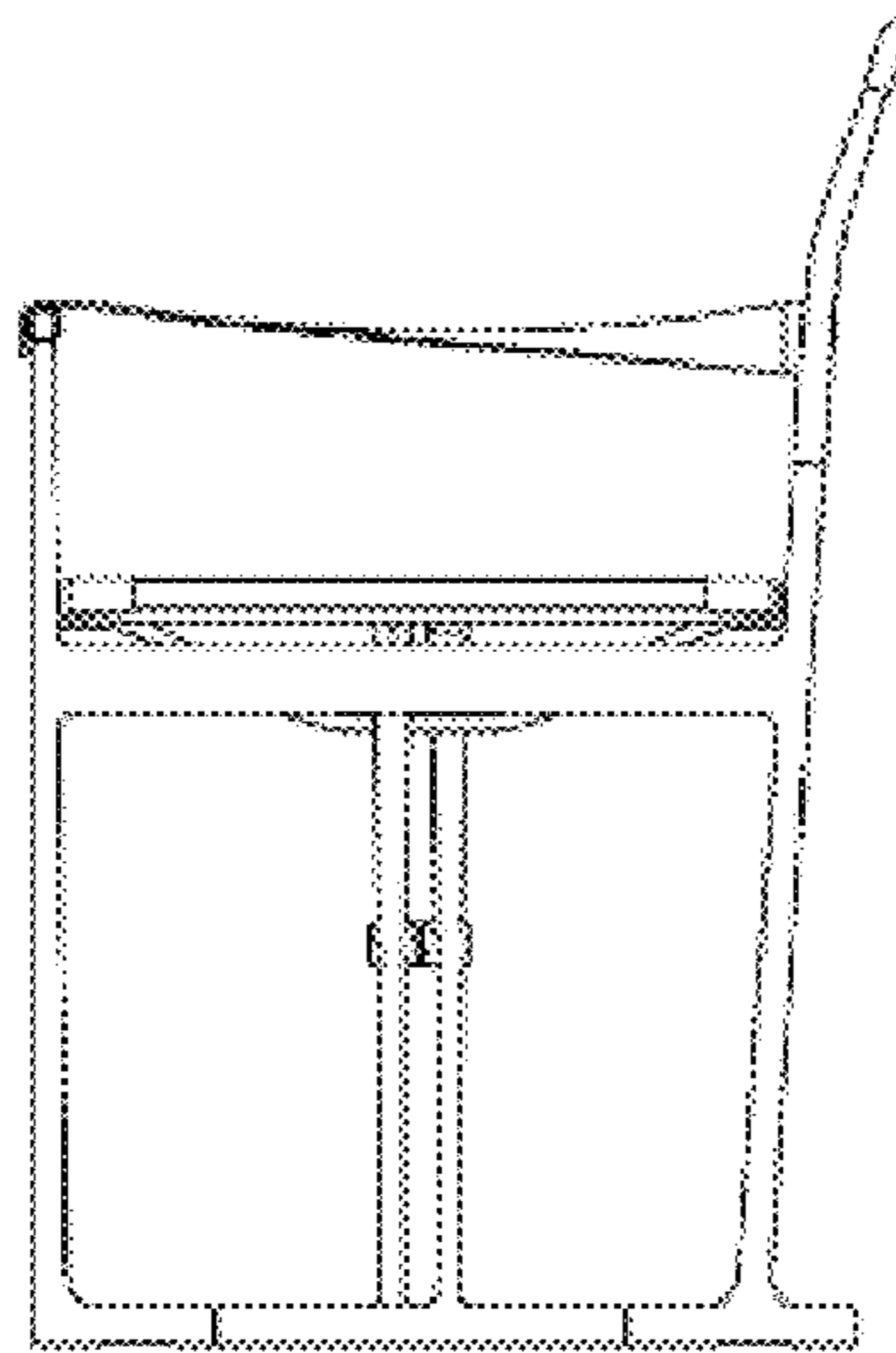


FIG. 6

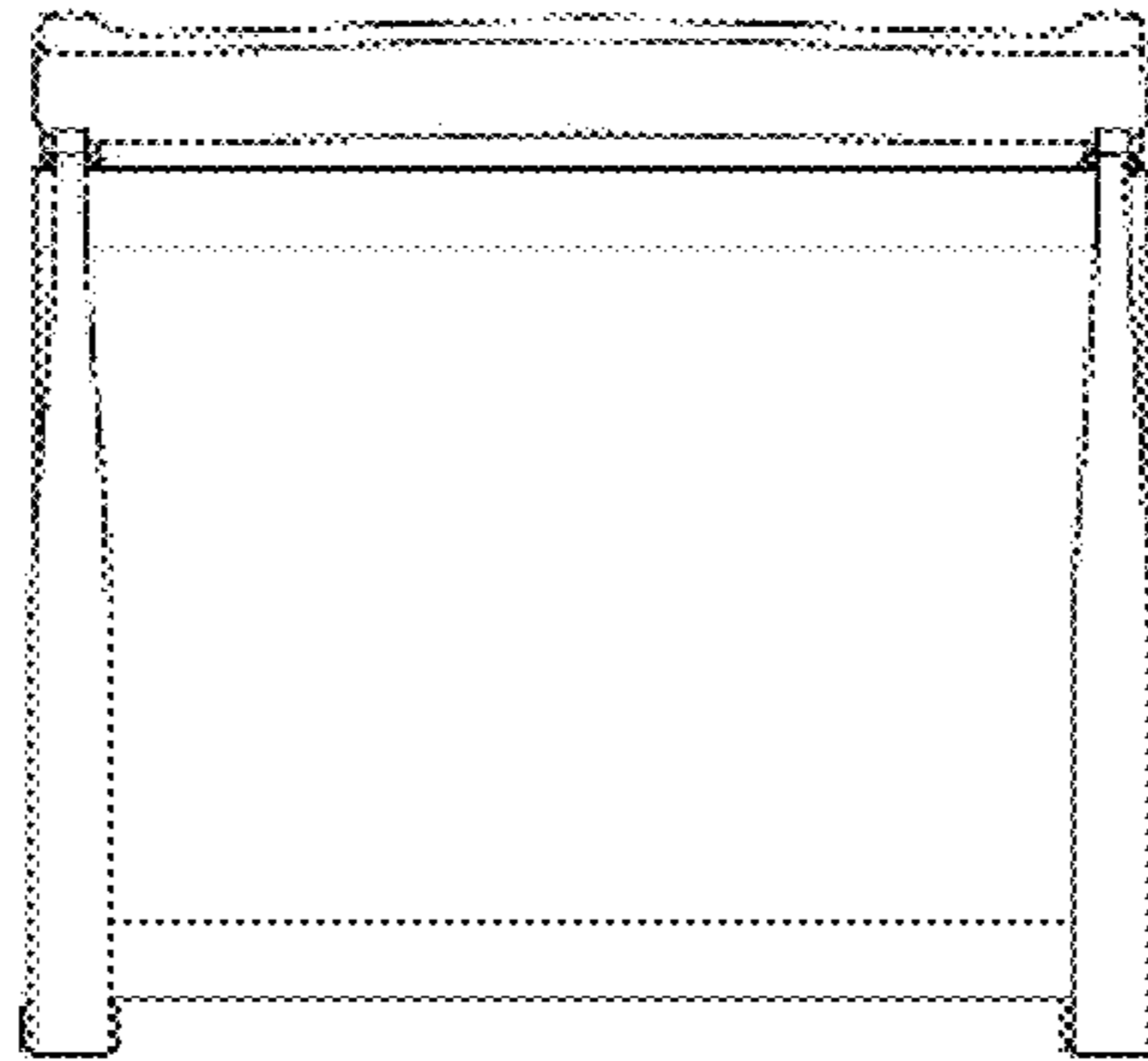


FIG. 7

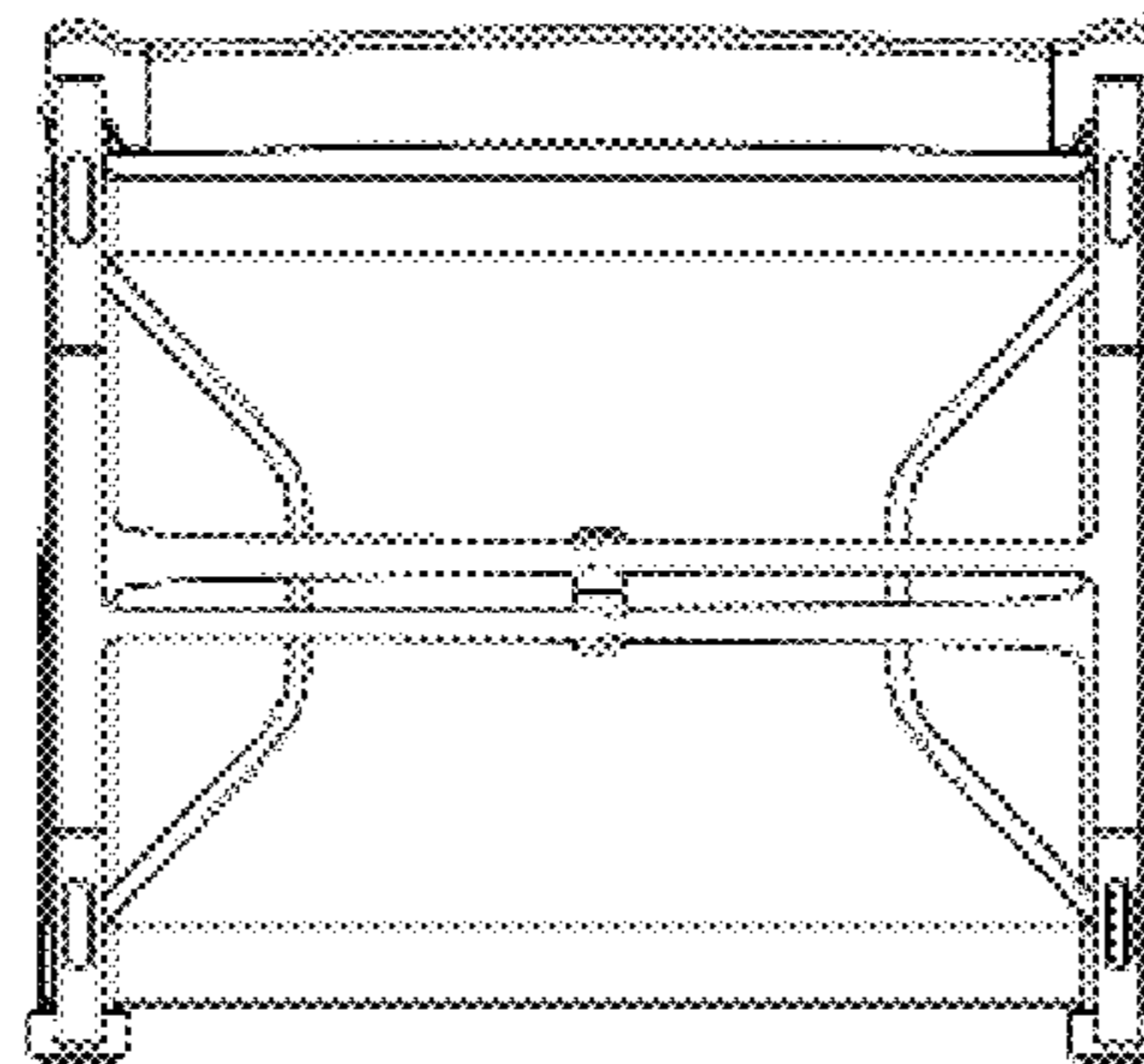


FIG. 8

UNITED STATES PATENT AND TRADEMARK OFFICE
CERTIFICATE OF CORRECTION

PATENT NO. : D710,121 S
APPLICATION NO. : 29/469299
DATED : August 5, 2014
INVENTOR(S) : Antonio Citterio

Page 1 of 1

It is certified that error appears in the above-identified patent and that said Letters Patent is hereby corrected as shown below:

On the title page, item (30) Foreign Application Priority Data: change "MI2013O0091" to
--MI2013O000091--.

Signed and Sealed this
Eighteenth Day of November, 2014



Michelle K. Lee
Deputy Director of the United States Patent and Trademark Office